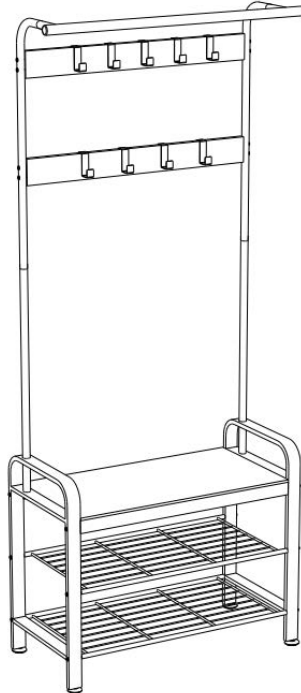


Assembly Instructions

Coat Rack



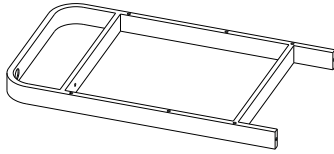
NOTE TO CUSTOMERS:

1. For ease and speed of assembly we recommended that before you commence each step of the assembly that you identify all the parts required to complete that step.
2. We recommended that where possible you allow sufficient space to assemble the item as close as possible to the place where it will be once assembled.
3. For the protection of your furniture we recommended that the product is placed on a protected surface during assembly to prevent any damage.
4. During assembly do not over-tighten, as this may damage the product.
5. Please ensure you retain all the product packaging until the item is completely assembled.
6. Please periodically check all fittings and re-tighten as necessary.
7. It is recommended that this item should be assembled by two adults.

Part & Hardware List

A

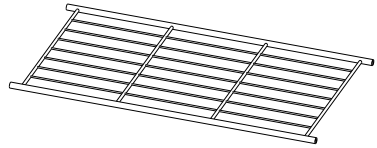
× 2



Side Frame

B

× 2



Net Rack

C

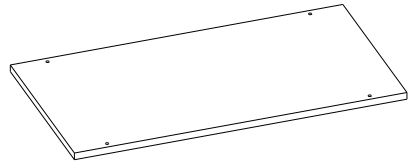
× 2



Apron

D

× 1



Seat

E

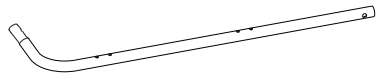
× 2



Lower Connect Bar

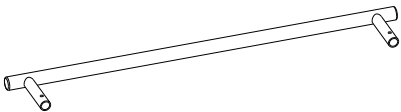
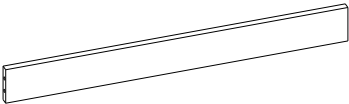
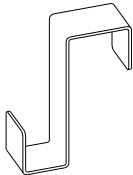
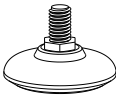

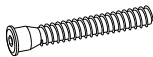
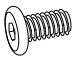
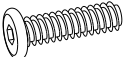
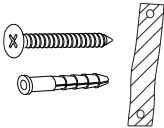

F

× 2

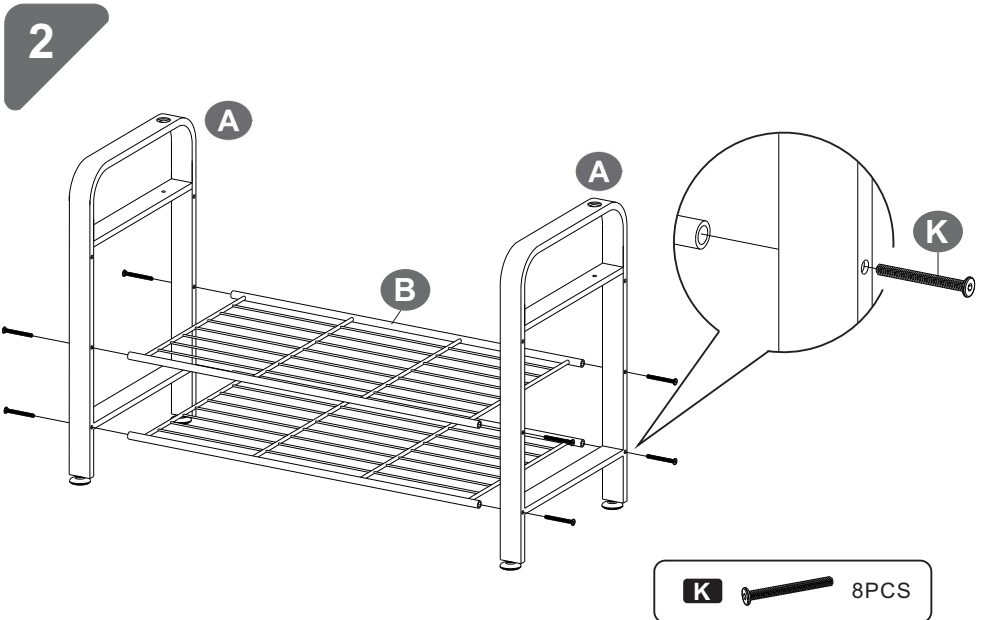
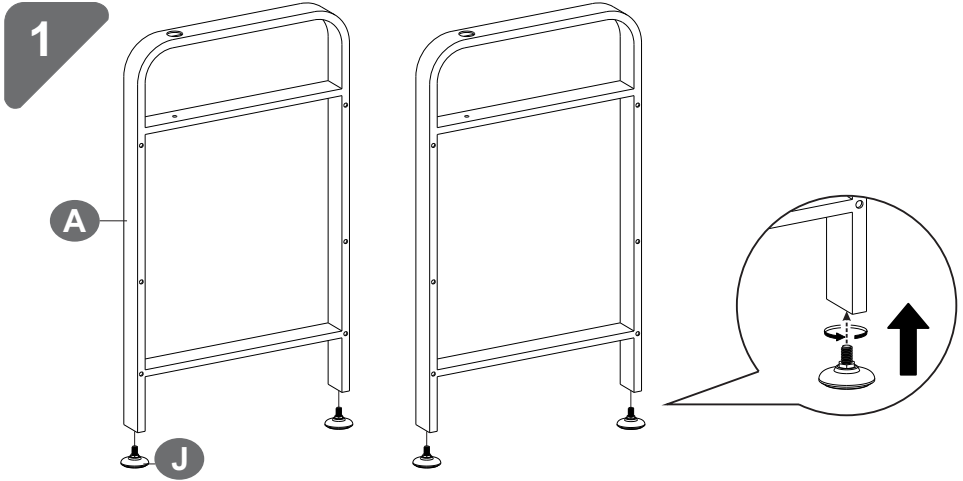


Upper Connect Bar

Part & Hardware List

<p>G × 1</p>  <p>Connect Bar</p>	<p>H × 2</p>  <p>Back Panel</p>	
<p>I × 9</p>  <p>Hook Rack</p>	<p>J × 4</p>  <p>Leveler</p>	<p>K × 12</p>  <p>Bolt</p>
<p>L × 8</p>  <p>Bolt</p>	<p>M × 8</p>  <p>Bolt</p>	<p>N × 2</p>  <p>Bolt</p>
<p>O × 2</p>  <p>Anchor and Screw</p>	<p>P × 1</p>  <p>Allen Key</p>	

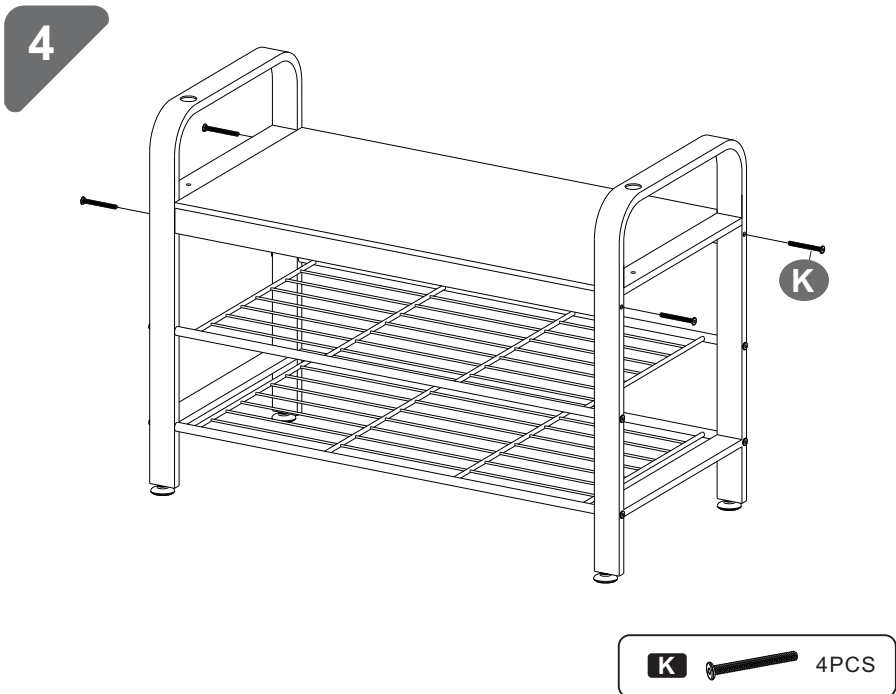
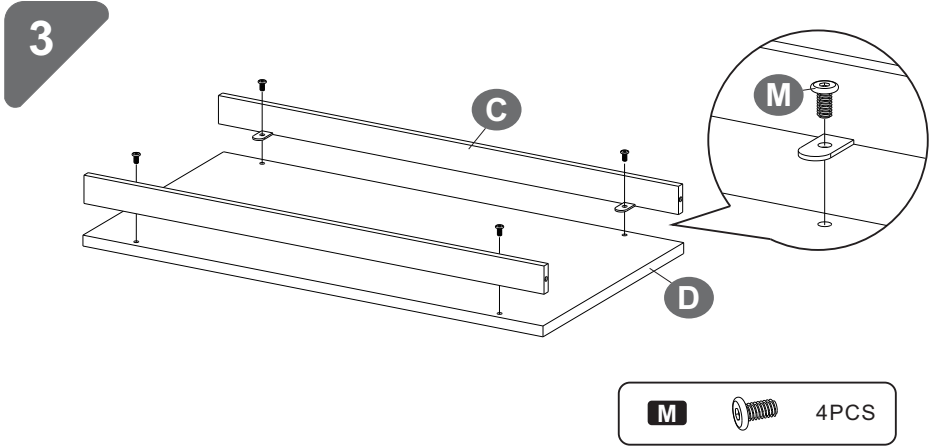
- (1). Attach Levelers (J) to the bottom of Side Frames (A).
- (2). Assemble Side Frames (A) to Net Racks (B) using Bolts (K).
- Note: Please do not tighten Bolts (K) until (8).



(3). Assemble Aprons (C) to the bottom of Seat (D) using Bolts (M).

(4). Assemble Aprons (C) to Side Frames (A) using Bolts (K).

Note: Please do not tighten Bolts (K) until (8).

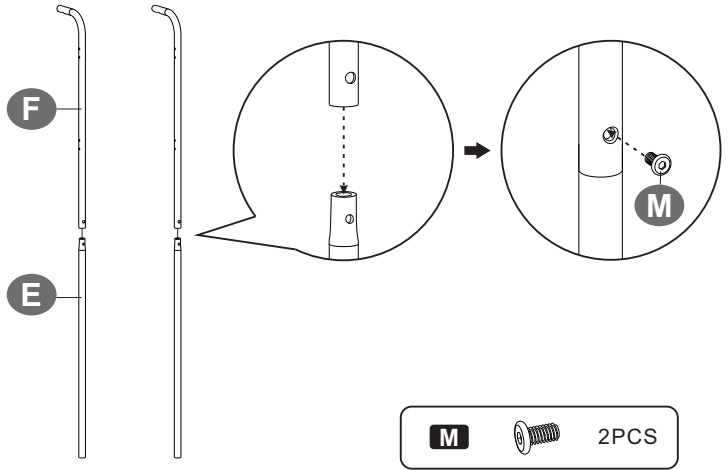


(5).Insert and assemble Upper Connect Bars (F) to Lower Connect Bars (E) using Bolts (M) as shown below.

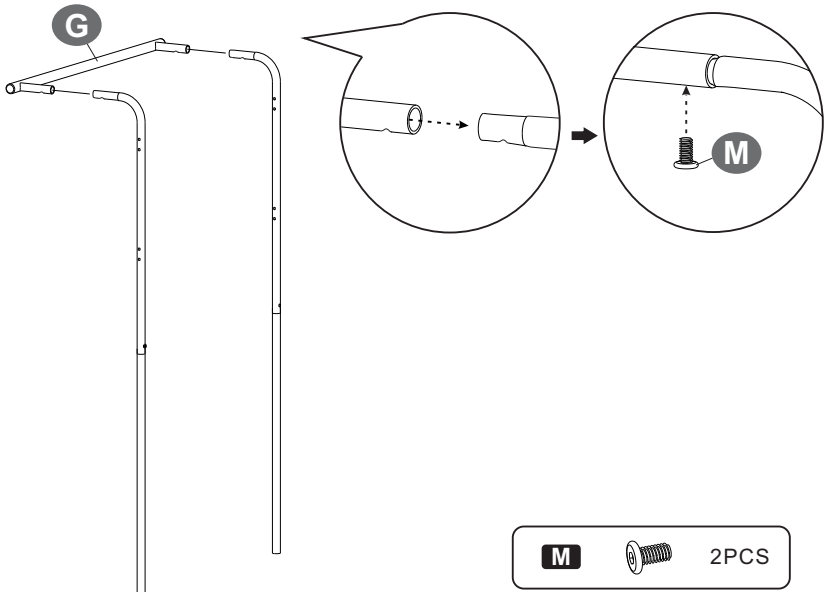
(6).Insert and assemble Connect Bar (G) to Upper Connect Bars (F) using Bolts (M) as shown below.

Note: Please do not tighten Bolts (M) until (8).

5



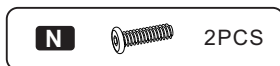
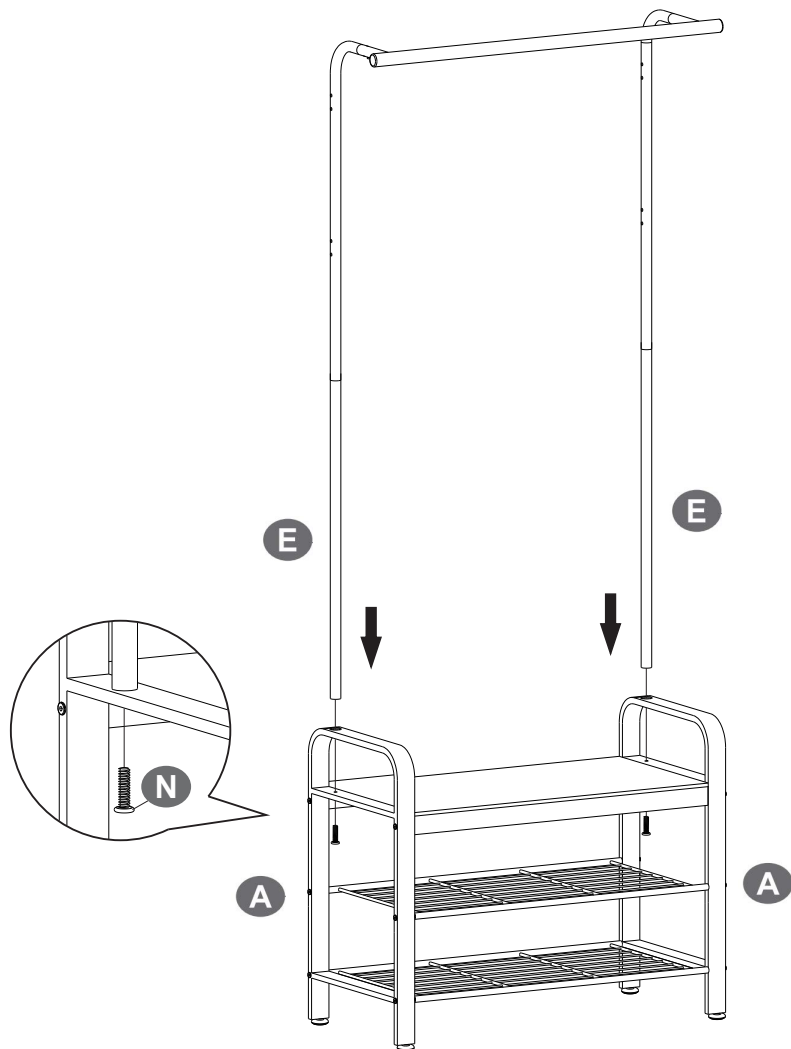
6



(7). Insert and assemble Lower Connect Bars (E) to Side Frames (A) using Bolts (N) as shown below.

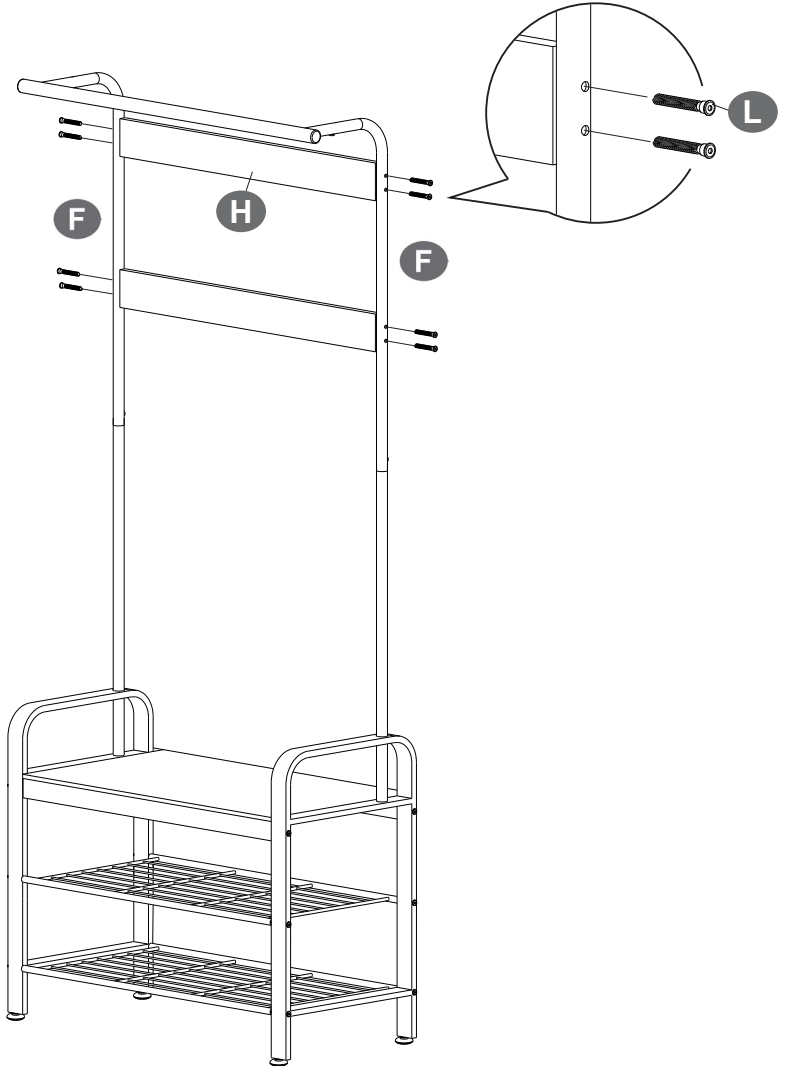
Note: Please do not tighten Bolts (N) until (8).

7



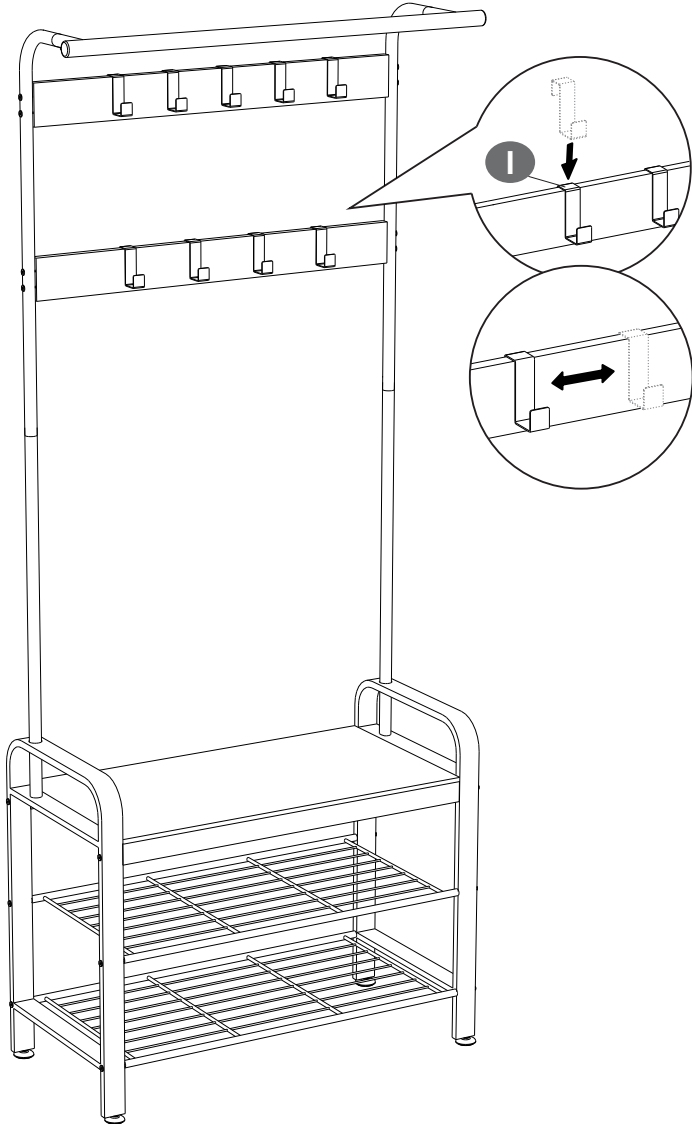
(8). Assemble Back Panels (H) to Upper Connect Bars (F) using Bolts (L).
Note: Please tighten all bolts at this point.

8



(9). Attach Hook Racks (I) to Back Panels (H) as shown below.

9



(10).For your safety,please attach this unit to the wall by Anchor and Screws (O).

10

