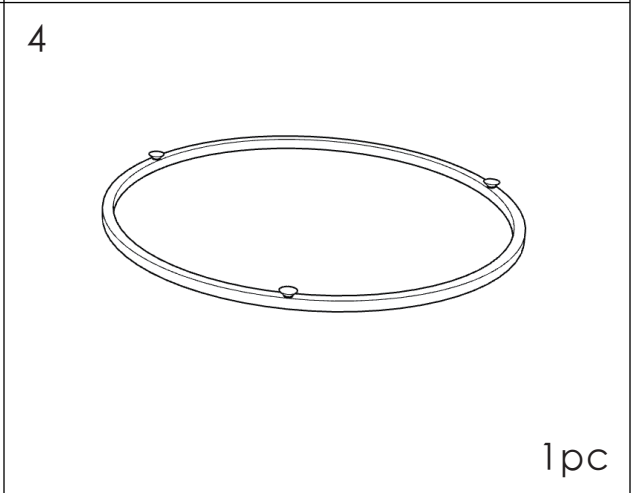
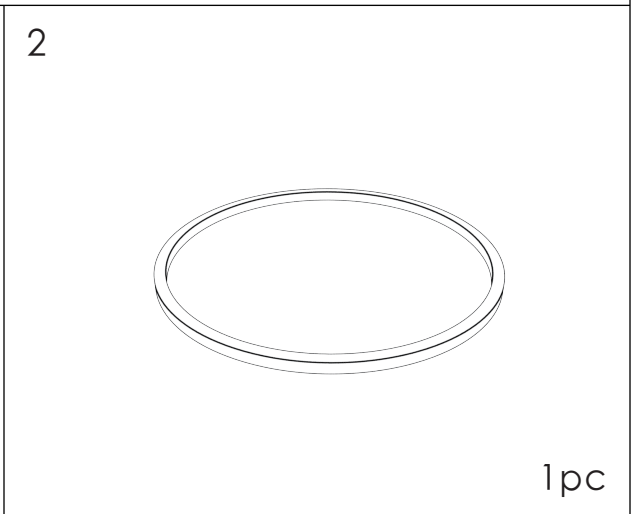
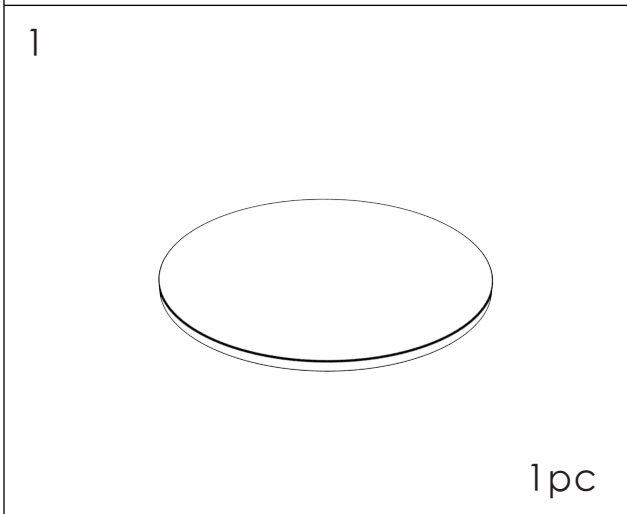
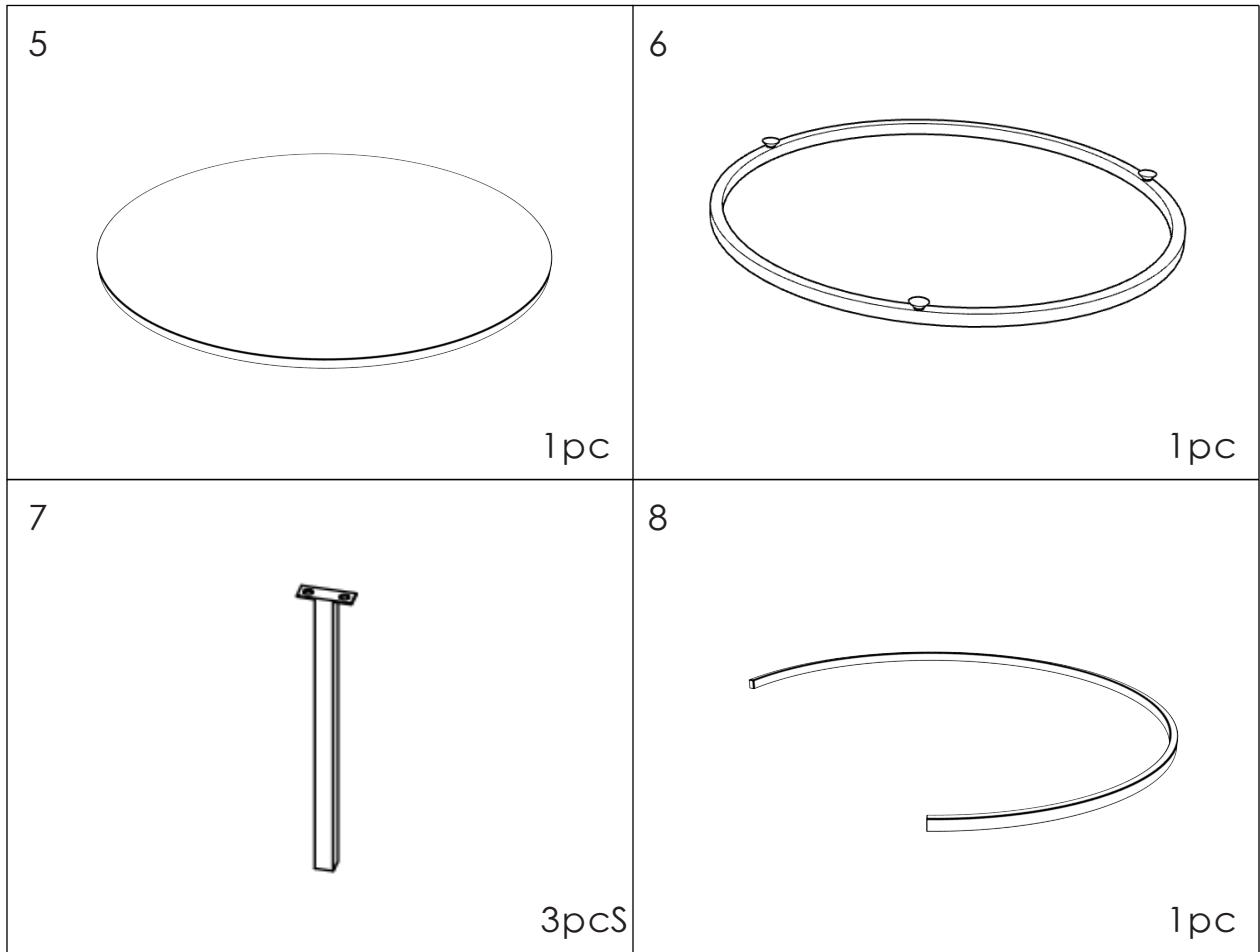
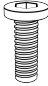
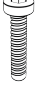



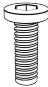

Assembly Manual



Assembly Manual

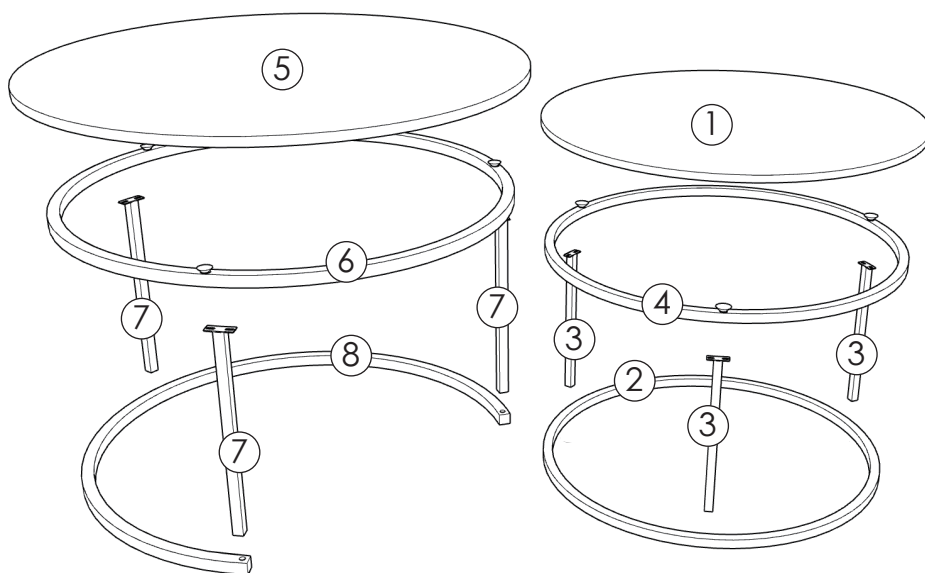


Hardware Accessories								
NO.	PICTURE	SIZE	QTY		NO.	PICTURE	SIZE	QTY
A		M6*L13mm	12		B		M6*L35mm	6
C			1					

SPARE								
NO.	PICTURE	SIZE	QTY		NO.	PICTURE	SIZE	QTY
A		M6*L13mm	1		B		M6*L35mm	1

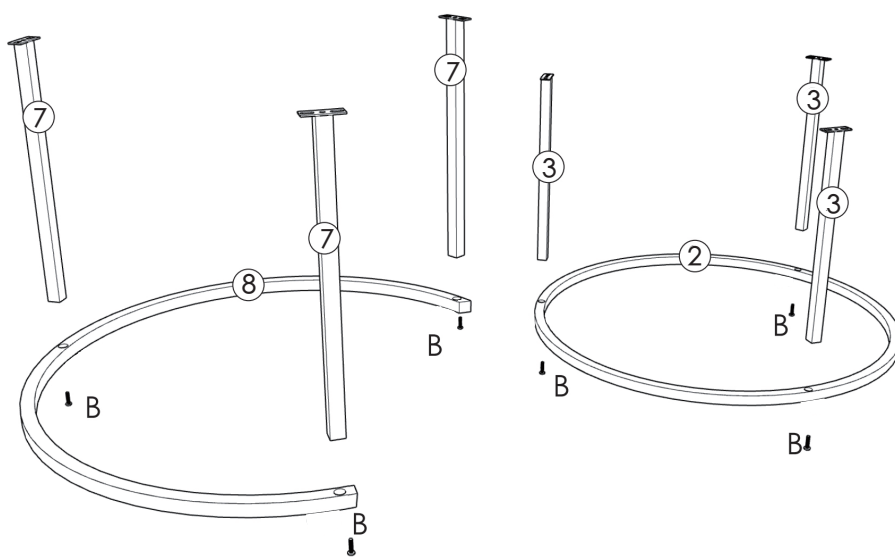
Before assembly, please put all parts on a neat and clean sheet


Exploded View



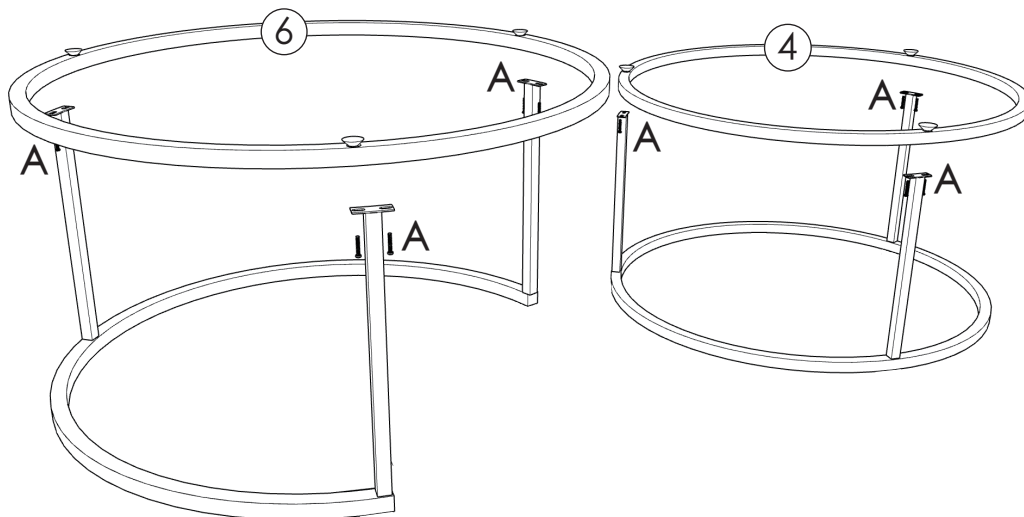
Installation procedures

step 1



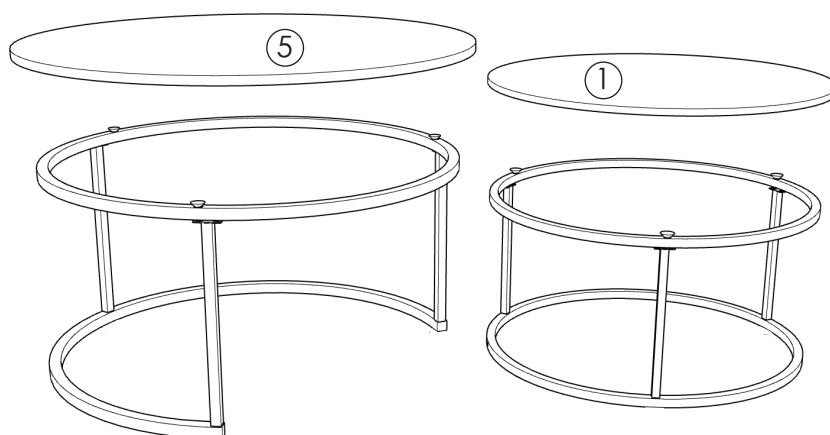
B * 6  (3) * 3 (7) * 3 (2) * 1 (8) * 1

step 2



A*12  ④*1 ⑥*1

step 3



①*1 ⑤*1

When assembling stand with board ring, and if you find it is not in right position then need to adjust the screw, change the position a little bit and then it will be adjusted.

COMPLETED DRAWING

