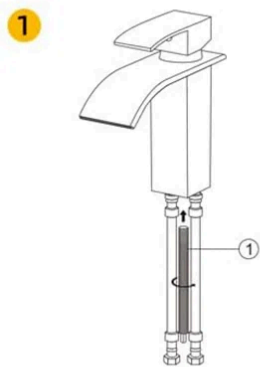
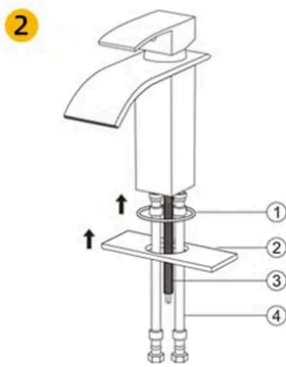


THOUGHTFULLY DESIGNED FOR AN EASIER INSTALL



Screw the short-threaded end of the (1) mounting bolt clockwise into the hole at the bottom of the faucet.

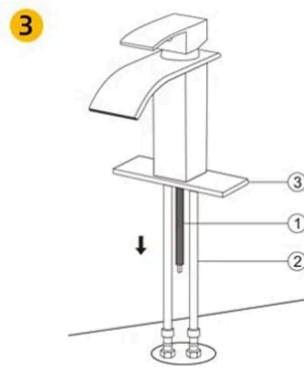
Note: Make sure the short-threaded end is facing upward and the long-threaded end is facing downward.



Pass the (1) O-ring over the (3) mounting bolt and (4) hoses, and place it into the O-ring groove at the bottom of the faucet.

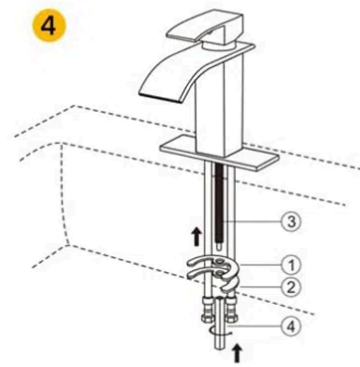
Note: If you need to install the (2) deck plate, please proceed with this step. If you don't need the (2) deck plate, you can skip to Step 3.

After placing the (2) O-ring, insert the (4) hoses and (3) mounting bolt through the hole in the (2) deck plate and adjust the direction accordingly.



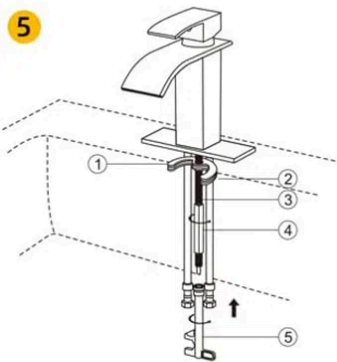
Insert the (1) mounting bolt and (2) hoses through the hole in the countertop, and adjust the faucet so it faces the sink directly.

Note: If you are using a 4-inch or 6-inch three-hole basin, you can use the deck plate to cover the extra holes.



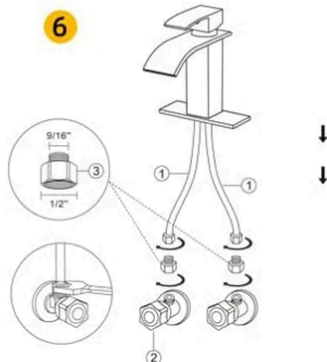
Place the (1) rubber gasket on top and the (2) metal washer underneath. Following the order shown in the diagram, insert them through the (3) mounting bolt, then screw the (4) mounting nut onto the (3) mounting bolt clockwise.

Note: Make sure the (1) rubber gasket and (2) metal washer are properly aligned and installed in the sequence shown in the diagram.



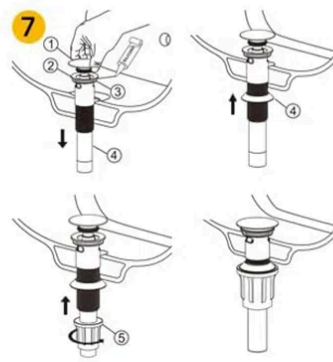
Place the (1) rubber gasket and (2) metal washer onto the top end of the (3) mounting bolt. Then screw the (4) mounting nut clockwise until it presses firmly against the (1) rubber gasket and (2) metal washer. Use the (5) wrench to further tighten the (4) mounting nut until secure.

Note: Do not overtighten, as this may damage the (1) rubber gasket.



Connect the cold and hot (1) water hoses to the water supply (2) angle valves.

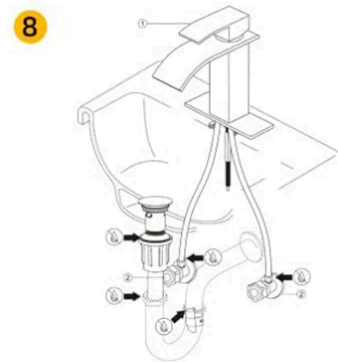
Note: The threads on the cold and hot (1) water hoses included in the package are 9/16 inch. If your water supply angle valve has a 1/2 inch thread, please contact us via your Amazon order system. We will provide (3) adapter for free.



Install Pop-Up Assembly: Remove head (1) and nut/washer, black seal (4) from body (2). Apply silicone sealant to underside of flange (3). Insert body (2) into sink.

Apply silicone grease to the inside diameter of the black seal (4) and threads on body (2) and assemble. Install nut (5) and hand-tighten to the sink. Insert head into body (2).

Connect assembly to drain (1)



FLUSH SYSTEM | CHECK FOR LEAKS.

Turn faucet (1) handle to the full on mixed position. Turn on hot and cold (2) water supplies and flush water lines for one minute.

Important: This flush away any debris that could cause damage to internal parts.

Check all connections at the arrows for leaks. Re-tighten if necessary, but do not over-tighten. If there is any seepage, wrap the threads with the included PTFE tape and re-tighten.