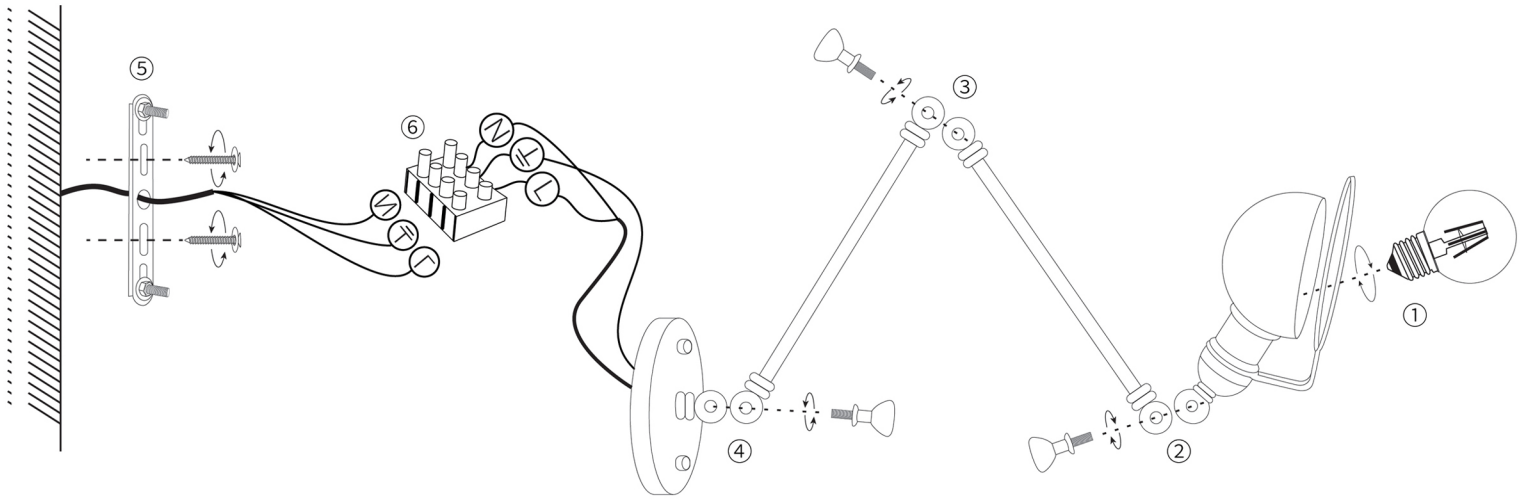


# ERATION INSTRUCTION

Please keep it for your reference.



Dear User: Thank You For Purchasing This Product. Please Read The Instructions Carefully Before Using It.



1. Please install in strict accordance with the installation instructions. In order to ensure the safe installation, maintenance and inspection of lamps and lanterns, please entrust an electrical professional. Personnel responsible, non-professional personnel prone to danger.
2. Don't modify lamps and lanterns at will and replace parts by yourself. If it isn't properly installed, it is easy to cause accidents such as falling and electric shock.

- ◆ Don't use the power supply beyond the specified range ( rated voltage AC 110 v ~ 240 v 50hz ) for a long period of time above the rated voltage range Under the condition of use, may cause lamp damage.
- ◆ Do not install in high temperature or damp places to avoid lamp damage.
- ◆ In order to ensure the safe installation, maintenance and inspection of lamps, please entrust electrical professional personnel to be responsible. non-professional personnel are prone to danger.
- ◆ The lamp is abnormal, please cut off the power supply immediately and contact the seller.

**Note: Power Must Be Cut Off Before Installation To Prevent Electric Shock!**

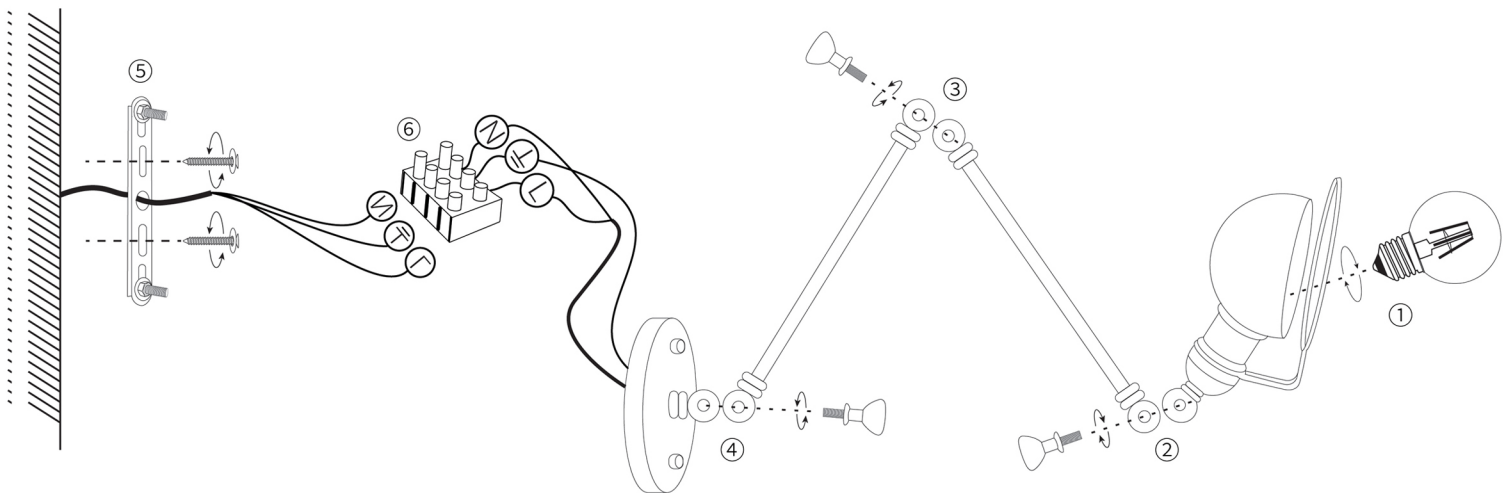
Warm tip: the installation sequence of the lamp body shall be arranged according to the numerical s-quence. after installation, check whether it is locked on the wall. When adjusting the angle of the lamp body, loosen the screw first and rotate the lamp body slightly. Do not use too much force to break the lamp body. Glass is easy When crushing or twisting glass lampshades or bulbs, take care of them lightly.

## INSTALLATION STEP (②→③→④→⑤→⑥→①):

- ① Install The Lamp Body. For example, ②③④⑤⑥: twist the lampshade in the order shown in the picture first, and then turn the lampshade on. The steering heads are butted and screwed.
- ② Install The Hanging Board. For example, ⑤: determine the hole distance on the wall according to the hanging plate hole, then drill holes, and then drill holes in the wall The wall hole is covered with rubber plugs, and finally the hanging plate is aligned with the hole position and screwed and fixed.
- ③ Connect The Wires. For example, ⑥ connect the power cord reserved on the wall with the lamp reserved line respectively. **Note: the power supply must be cut off before receiving power!**
- ④ Secure The Wall Lamp Chassis. For example, ⑦: align the side holes of the wall lamp chassis with the side holes on both sides of the hanging plate. however S-screw on the screw and fix it.
- ⑤ Install A Light Bulb. For example, ① align the lamp cap of the bulb with the screw in the lampshade and slowly rotate it in.

# ERATION INSTRUCTION

Please keep it for your reference.



Dear User: Thank You For Purchasing This Product. Please Read The Instructions Carefully Before Using It.



1. Please install in strict accordance with the installation instructions. In order to ensure the safe installation, maintenance and inspection of lamps and lanterns, please entrust an electrical professional. Personnel responsible, non-professional personnel prone to danger.
2. Don't modify lamps and lanterns at will and replace parts by yourself. If it isn't properly installed, it is easy to cause accidents such as falling and electric shock.

- ◆ Don't use the power supply beyond the specified range ( rated voltage AC 110 v ~ 240 v 50hz ) for a long period of time above the rated voltage range Under the condition of use, may cause lamp damage.
- ◆ Do not install in high temperature or damp places to avoid lamp damage.
- ◆ In order to ensure the safe installation, maintenance and inspection of lamps, please entrust electrical professional personnel to be responsible. non-professional personnel are prone to danger.
- ◆ The lamp is abnormal, please cut off the power supply immediately and contact the seller.

**Note: Power Must Be Cut Off Before Installation To Prevent Electric Shock!**

Warm tip: the installation sequence of the lamp body shall be arranged according to the numerical s-quence. after installation, check whether it is locked on the wall. When adjusting the angle of the lamp body, loosen the screw first and rotate the lamp body slightly. Do not use too much force to break the lamp body. Glass is easy When crushing or twisting glass lampshades or bulbs, take care of them lightly.

## INSTALLATION STEP (②→③→④→⑤→⑥→①):

- ① Install The Lamp Body. For example, ②③④⑤⑥: twist the lampshade in the order shown in the picture first, and then turn the lampshade on. The steering heads are butted and screwed.
- ② Install The Hanging Board. For example, ⑤: determine the hole distance on the wall according to the hanging plate hole, then drill holes, and then drill holes in the wall The wall hole is covered with rubber plugs, and finally the hanging plate is aligned with the hole position and screwed and fixed.
- ③ Connect The Wires. For example, ⑥ connect the power cord reserved on the wall with the lamp reserved line respectively. **Note: the power supply must be cut off before receiving power!**
- ④ Secure The Wall Lamp Chassis. For example, ⑦: align the side holes of the wall lamp chassis with the side holes on both sides of the hanging plate. however S-screw on the screw and fix it.
- ⑤ Install A Light Bulb. For example, ① align the lamp cap of the bulb with the screw in the lampshade and slowly rotate it in.