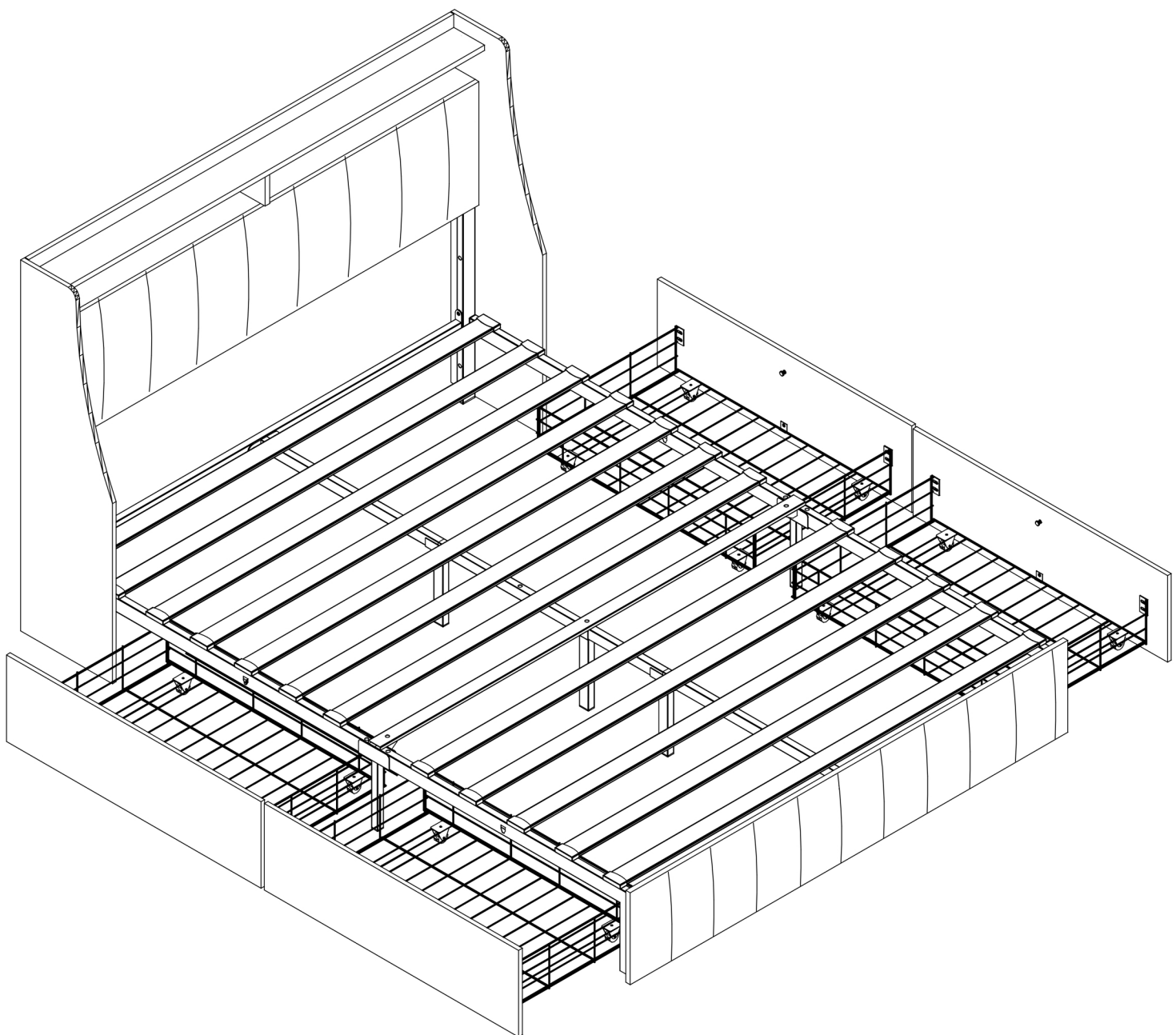
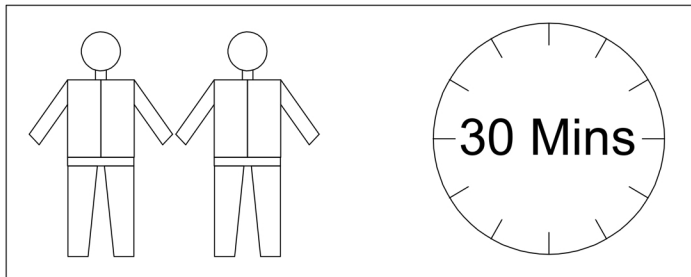
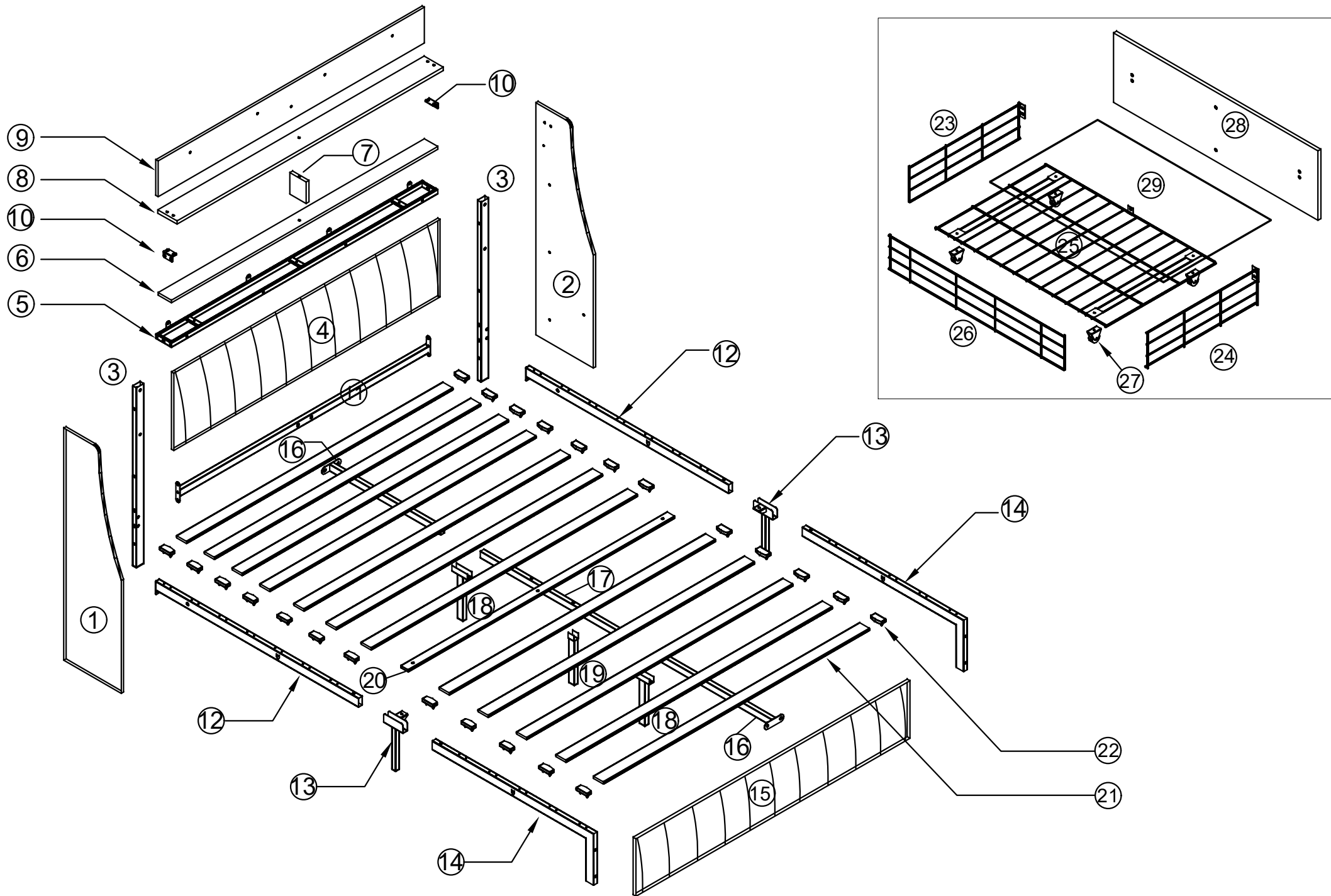


Assembly Instruction

LED Bed frame with 4 drawers



Parts Check List


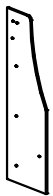

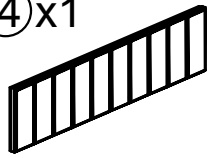

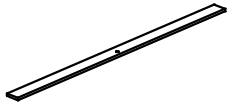
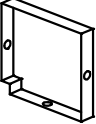
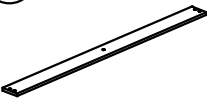
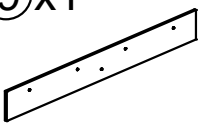


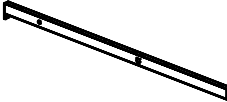
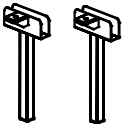

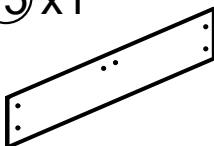
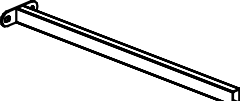

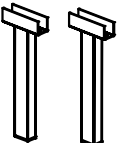





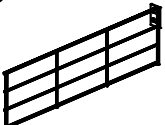
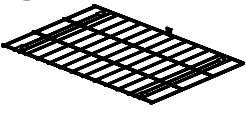


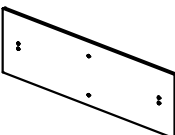
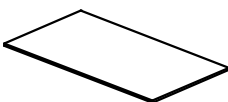

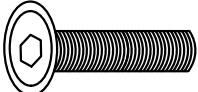
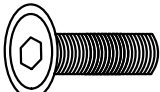
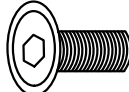










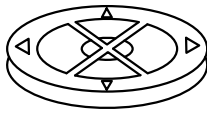
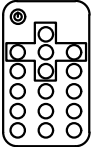
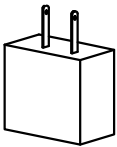
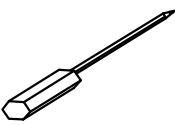


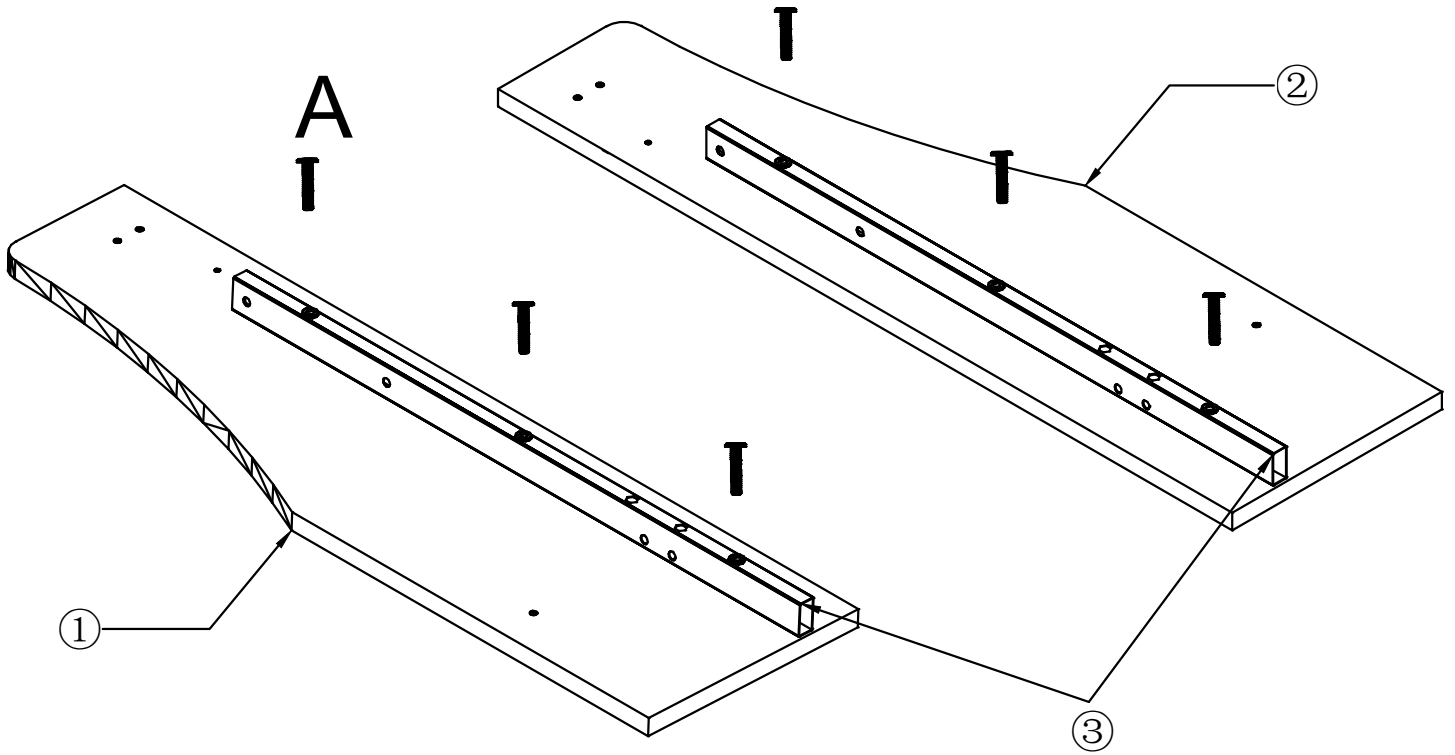
Parts List

Reminder:

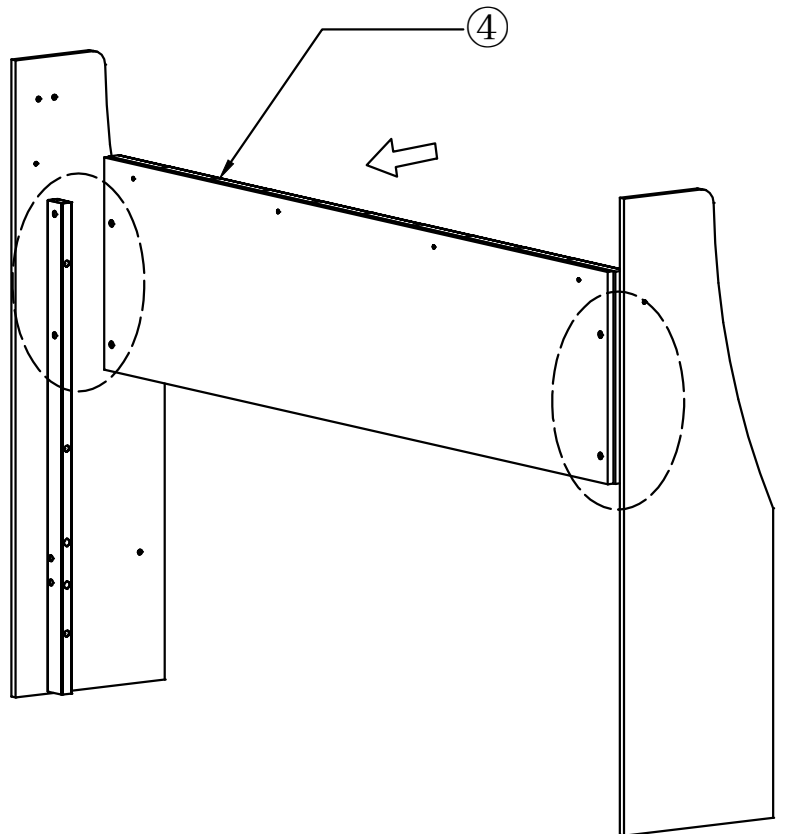
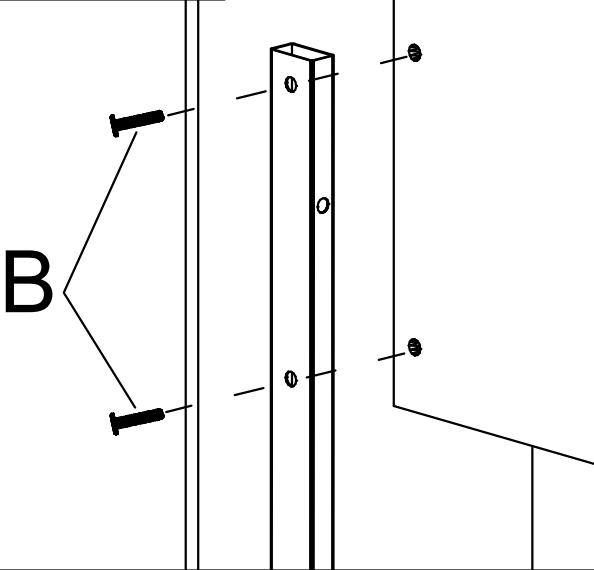
1- This bed is combo product, it should come with 2 packages. You may take few time to receive both package after order. Thank you for your understanding.

2- Kindly please check the list below and confirm you receive all stuff from the package. If you find something missing, please contact us as soon as possible and we think we will find a solution together.

①x1 	②x1 	③x2 	④x1 	⑤x1 	⑥x1 	
⑦x1 	⑧x1 	⑨x1 	⑩x2 	⑪x1 	⑫x2 	
⑬x2 	⑭x2 	⑮x1 	⑯x2 	⑰x1 	⑱x2 	
⑲x1 	⑳x1 	㉑x12 	㉒x24 	㉓x4 	㉔x4 	
㉕x4 	㉖x4 	㉗x16 	㉘x4 	㉙x4 	㉚x44 	
A*15  M8*50	B*10  M8*35	C*14  M8*20	D*32  M6*12	E*16  M4*10	F*6  M6*25	
G*4 	H*4 	I*3 	Short Tapping J1*3  Long Tapping J2*4 		 Allen Key for A / B / C	 Allen Key for D / F
 LED Strip	 RF Remote	 USB adapter	 Driver for E/G/H/J			



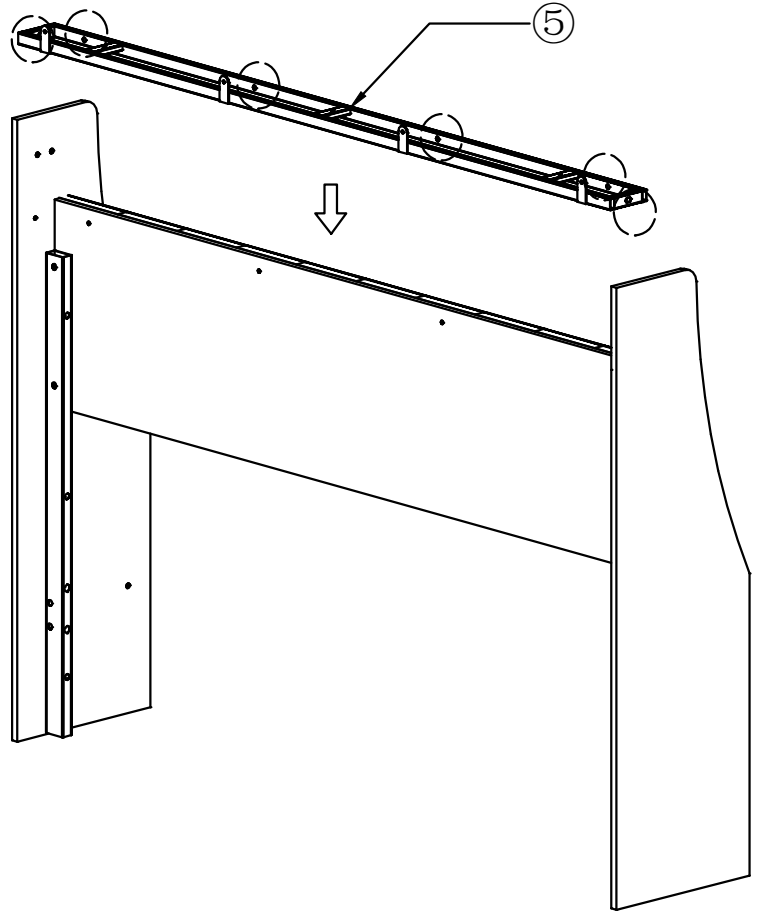
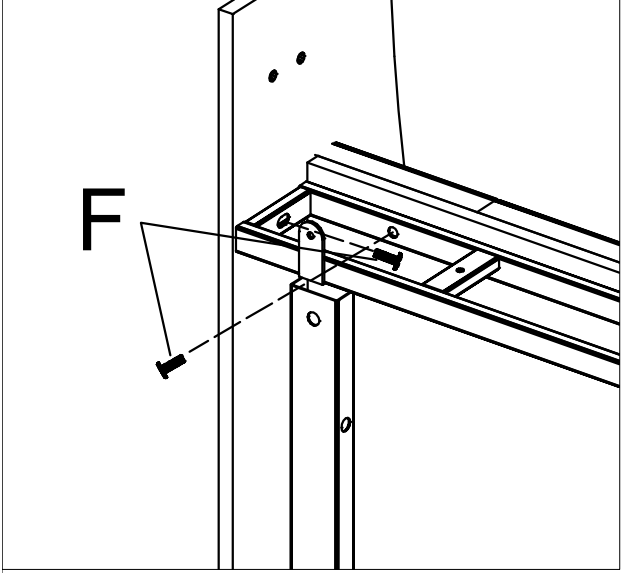
Step 1



Step 2

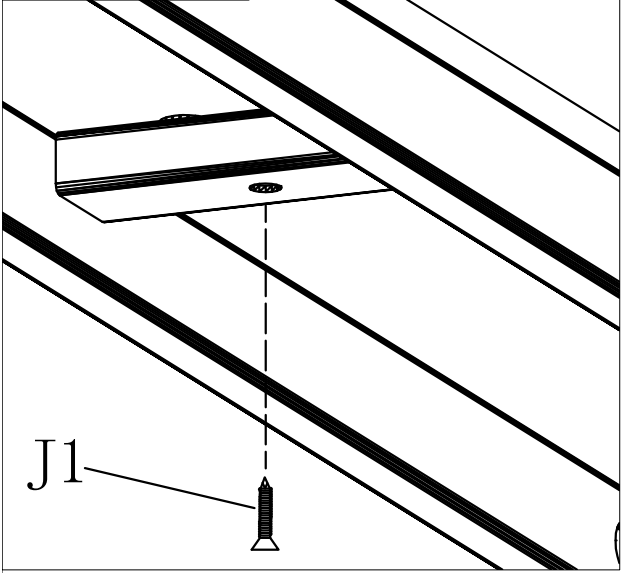
Fx6

F

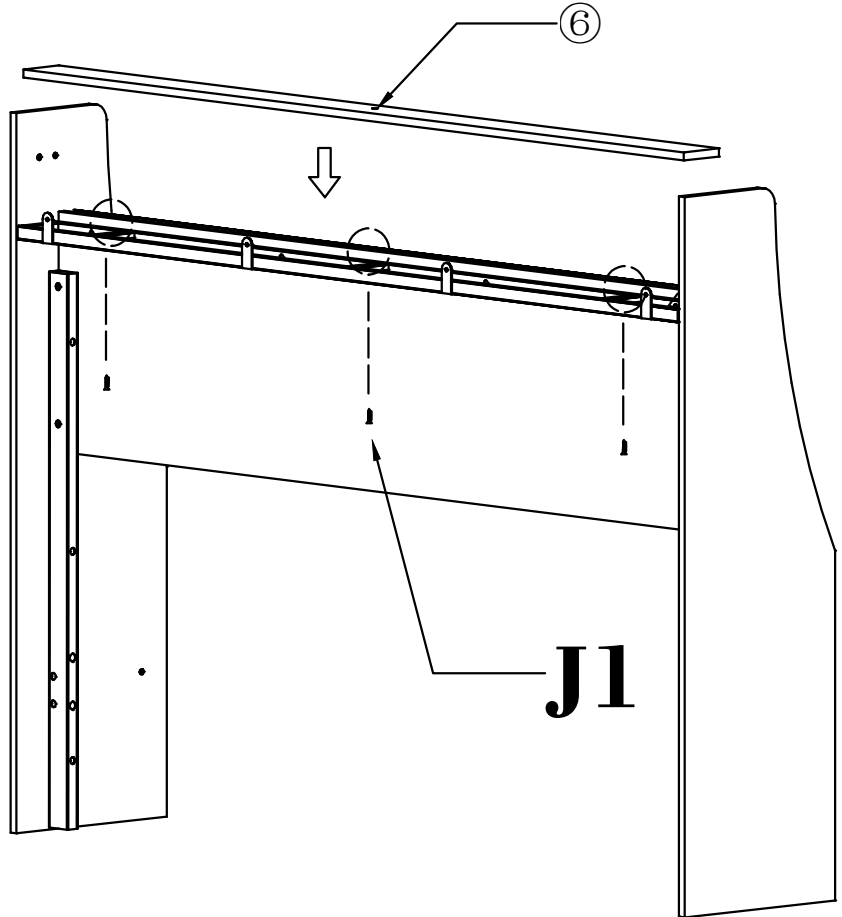


Step 3

J1

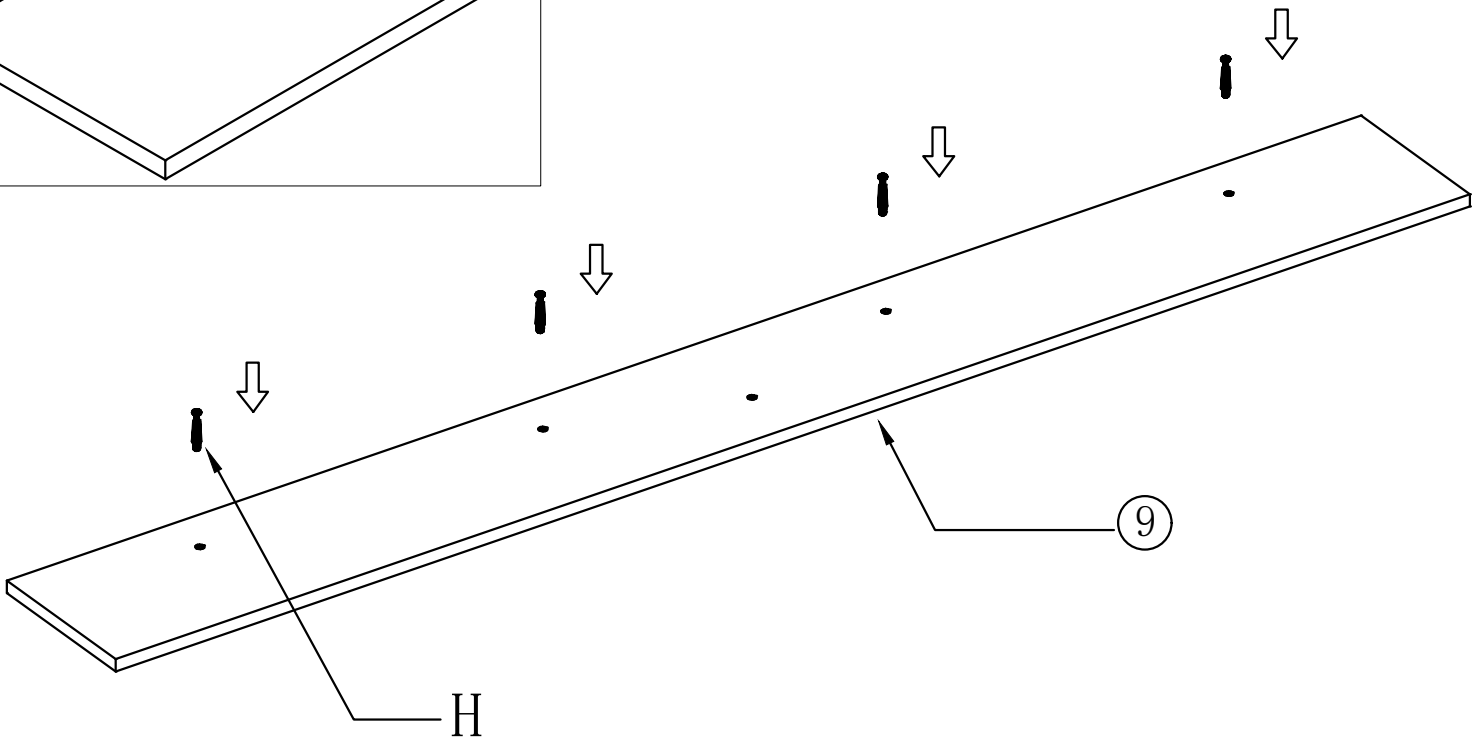
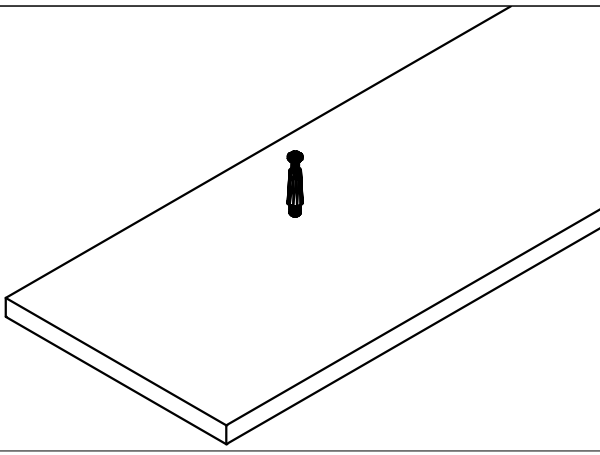


J1x3

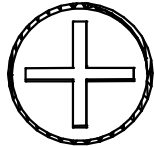
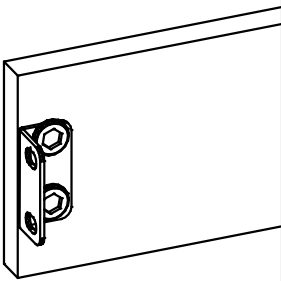


Step 4

Gx4



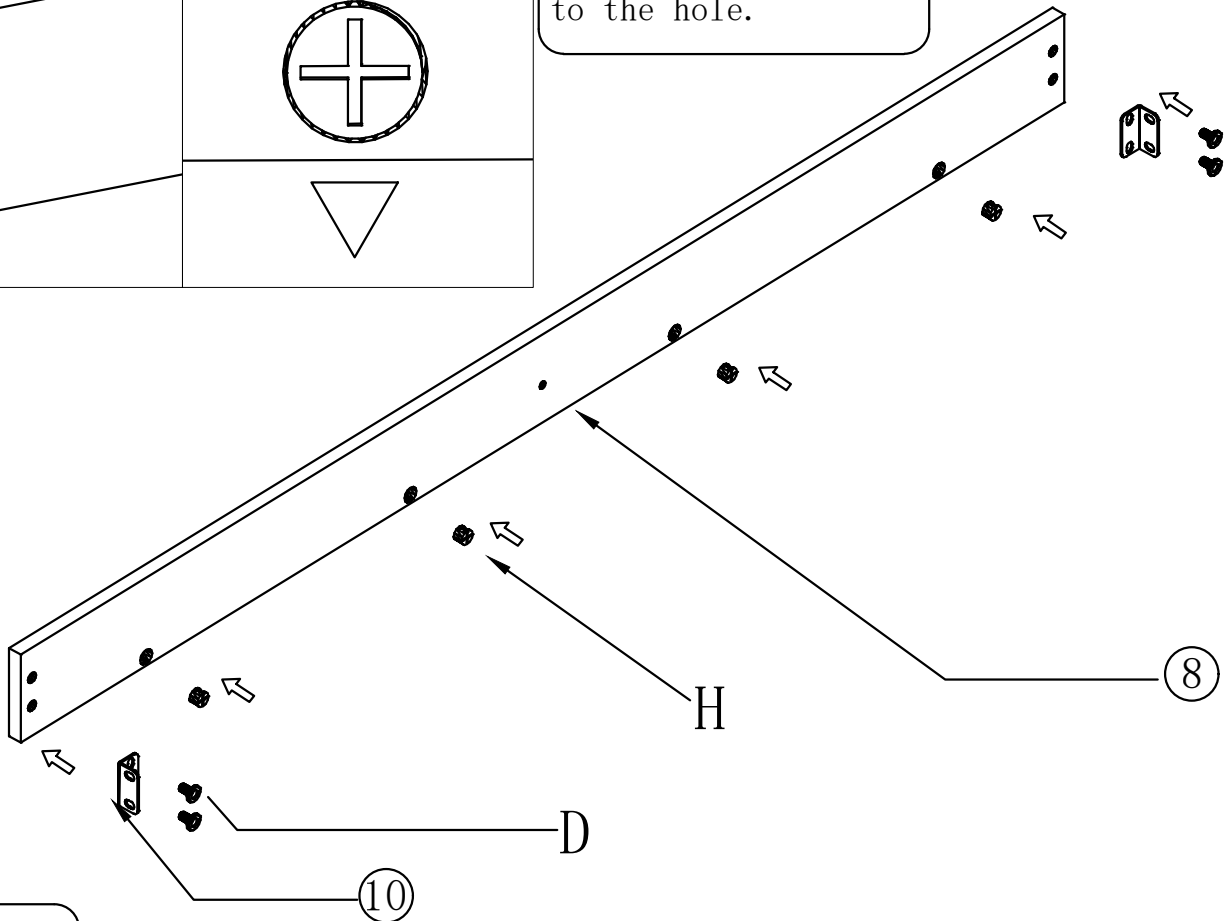
Step 5



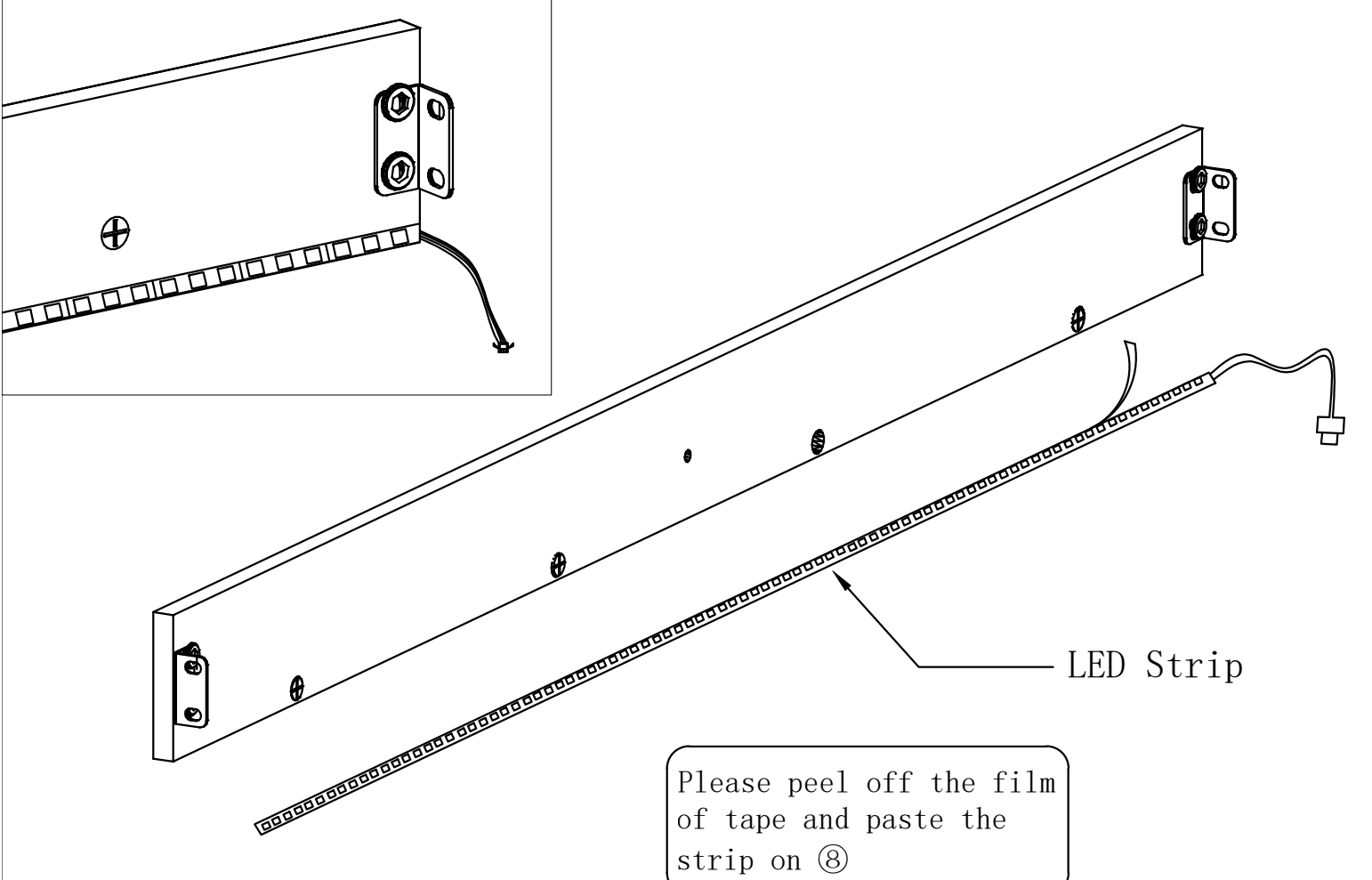
Tips: Please always keep the mark towards to the hole.

Dx4

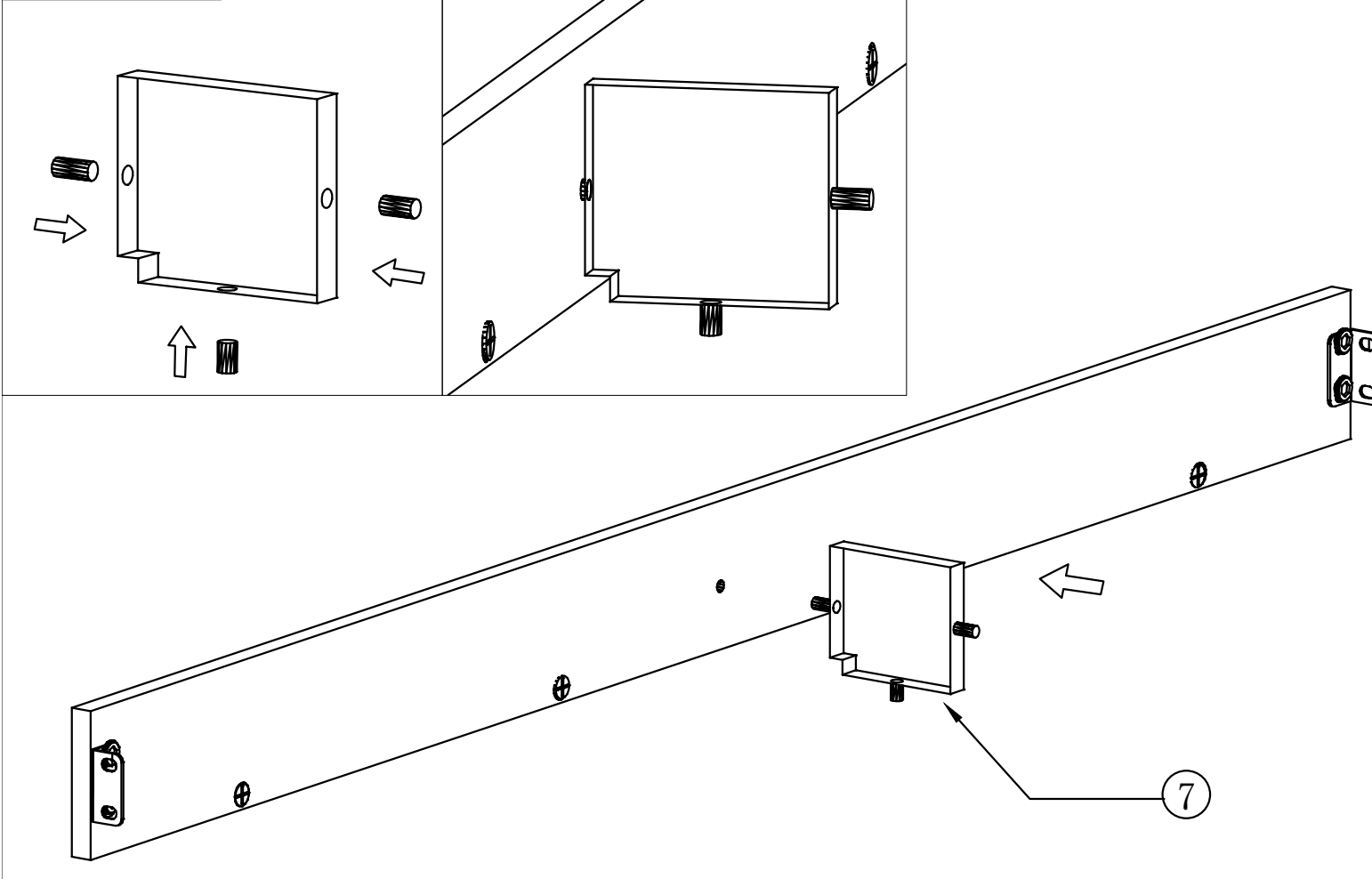
Hx4



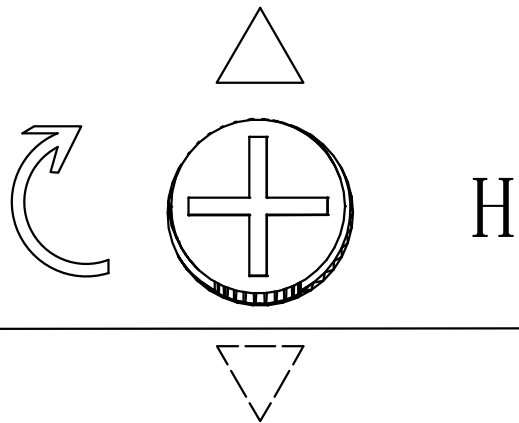
Step 6



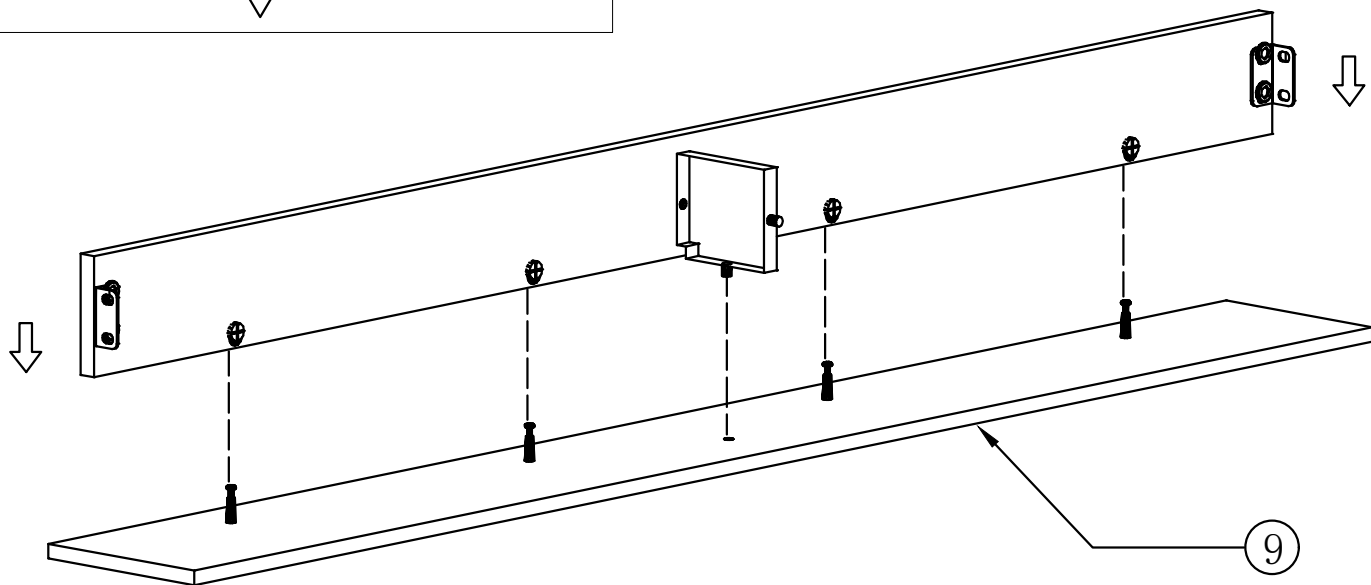
Step 7



Step 8

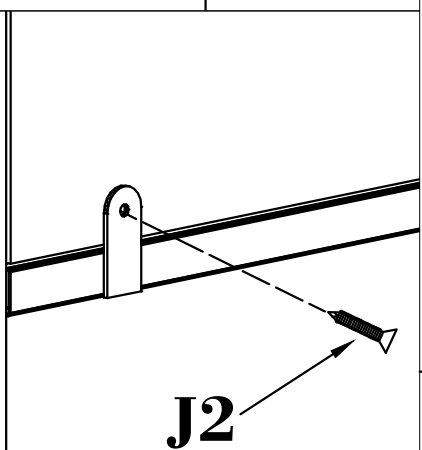
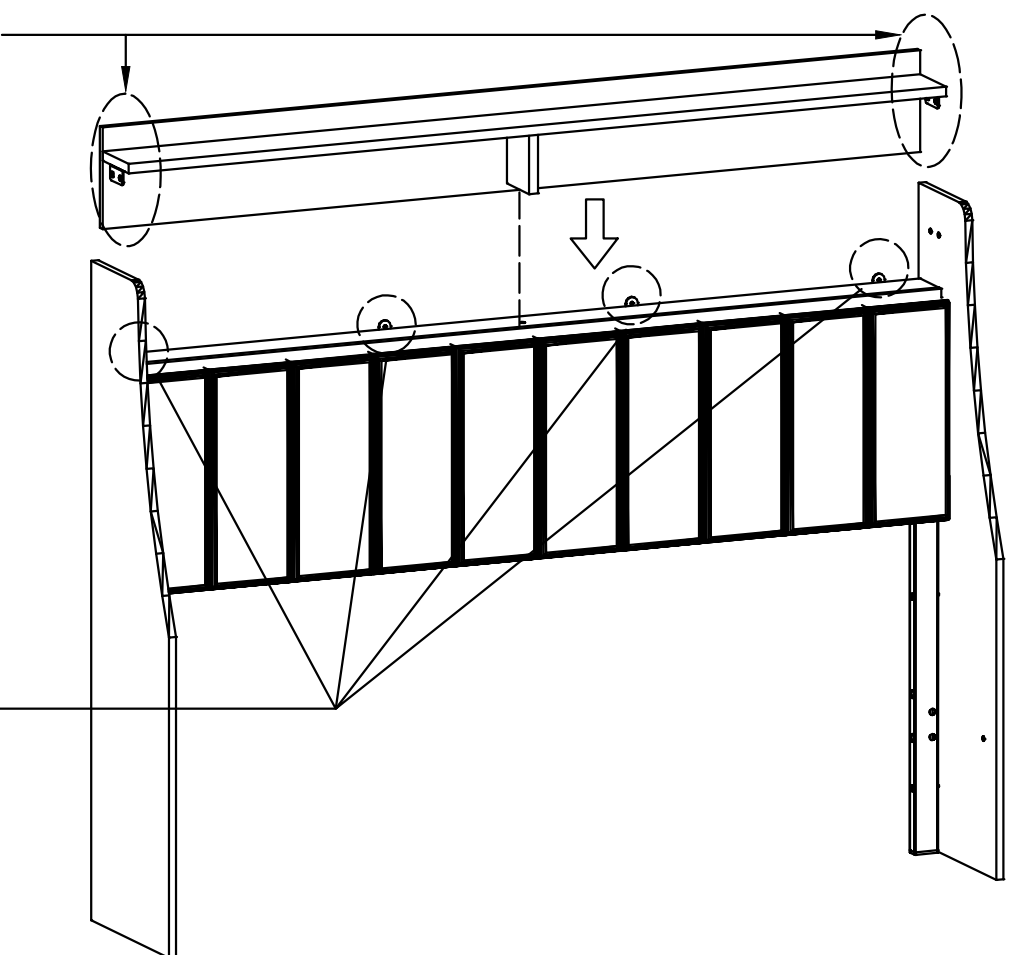
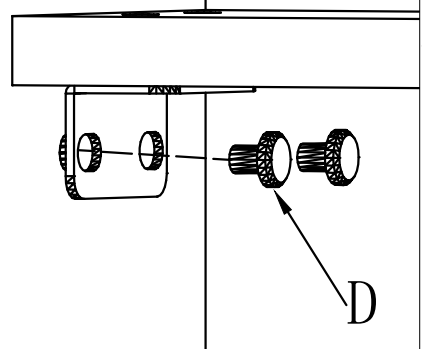


Align ⑦⑧ on ⑨ and screw H until the mark turning 180°.



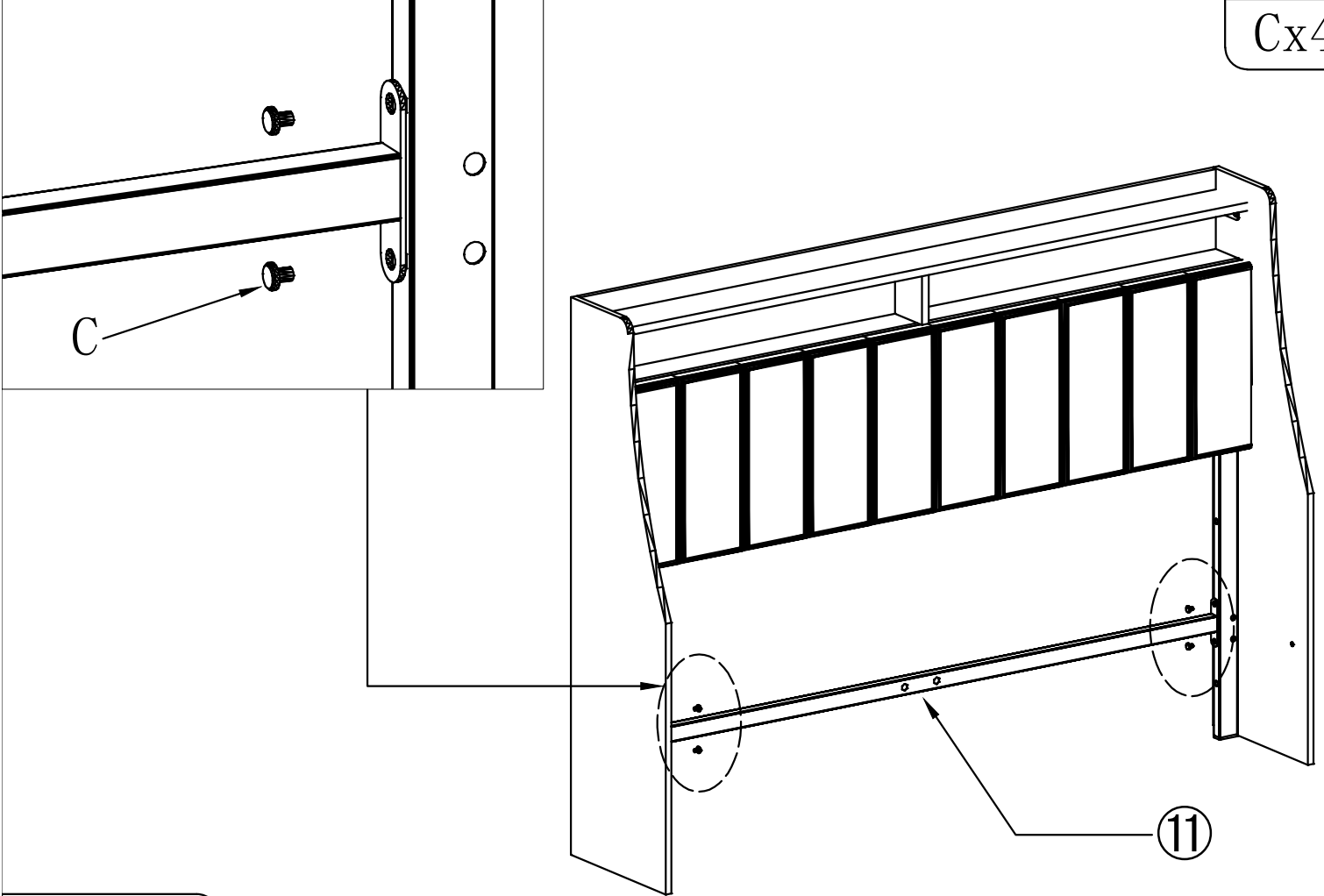
Step 9

Dx4 | J2x4



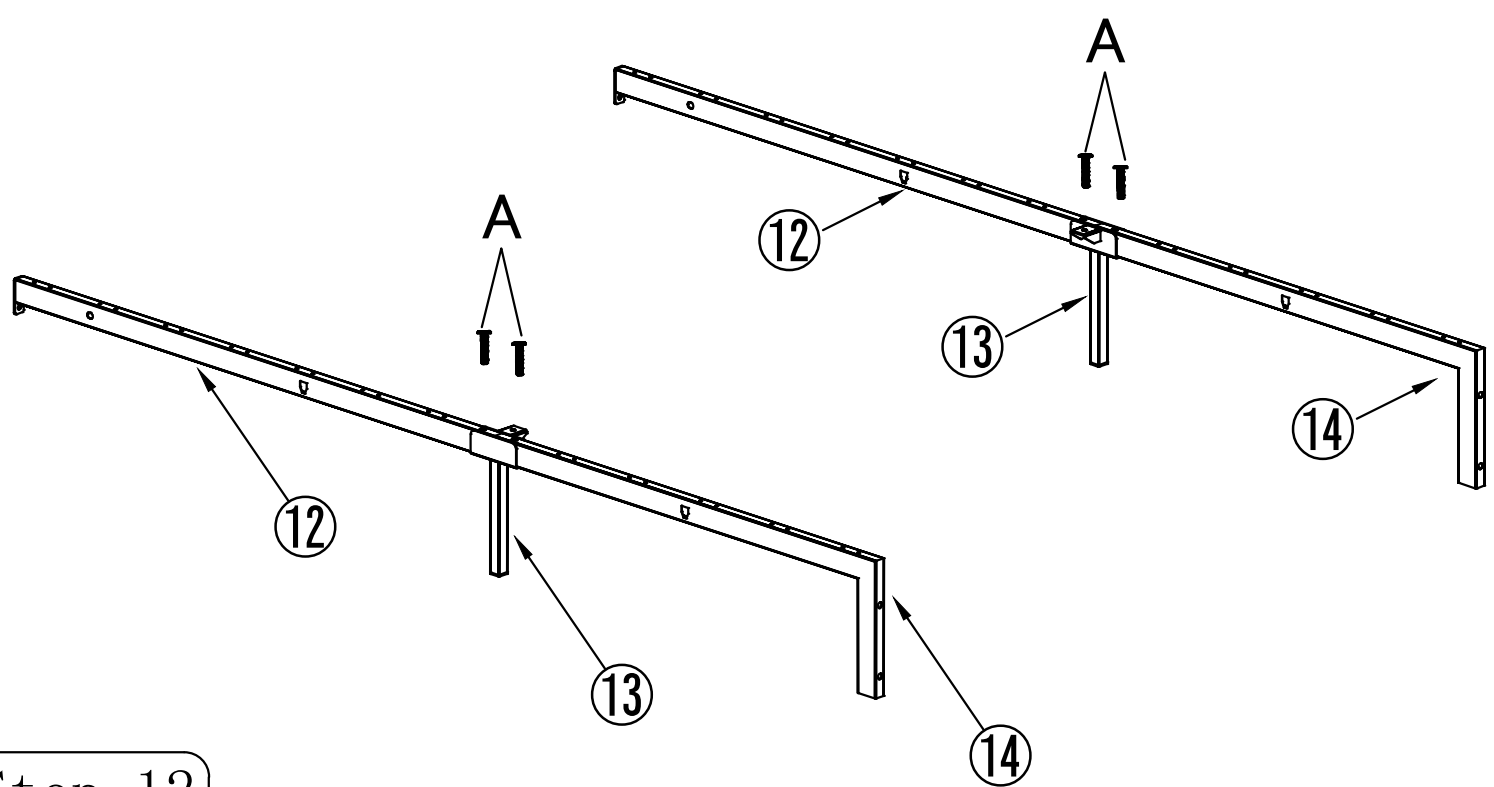
Step 10

Cx4



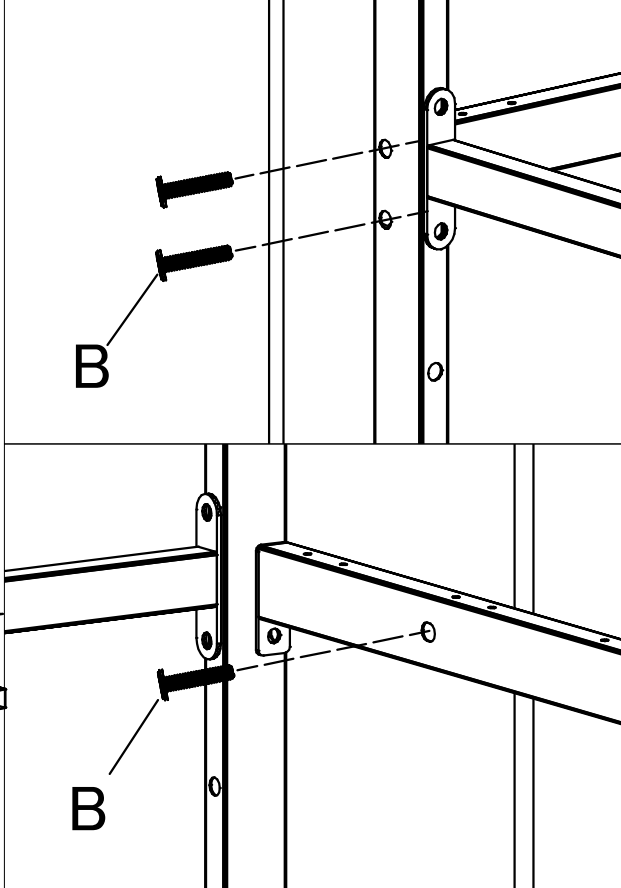
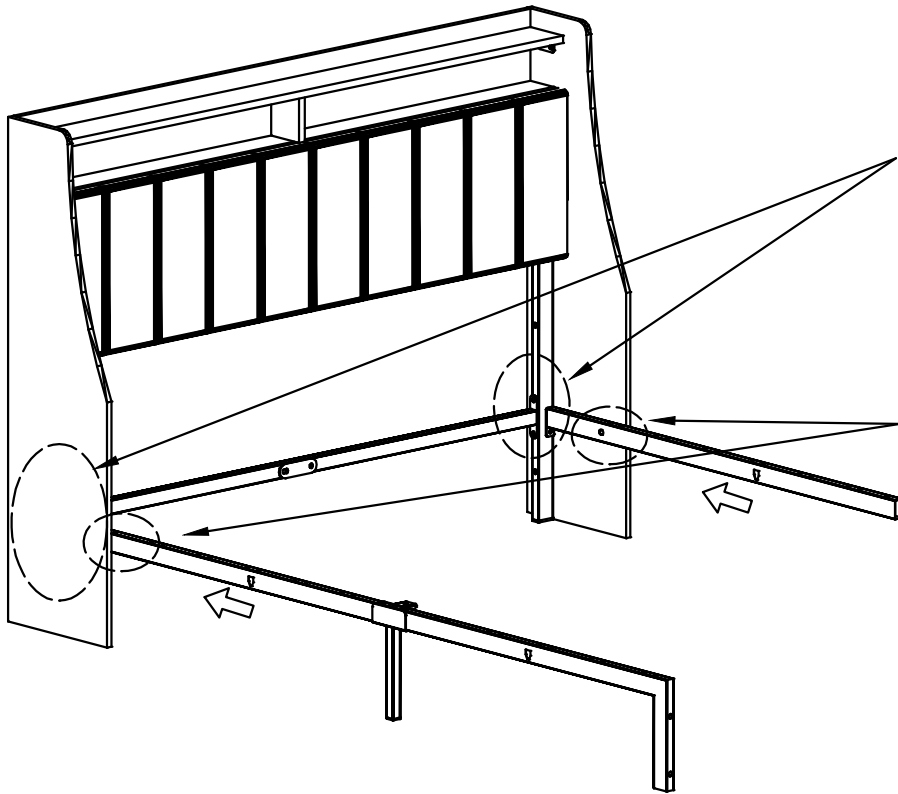
Step 11

Ax4



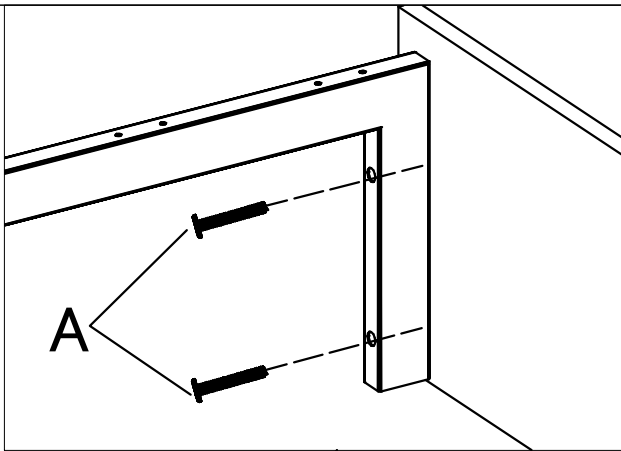
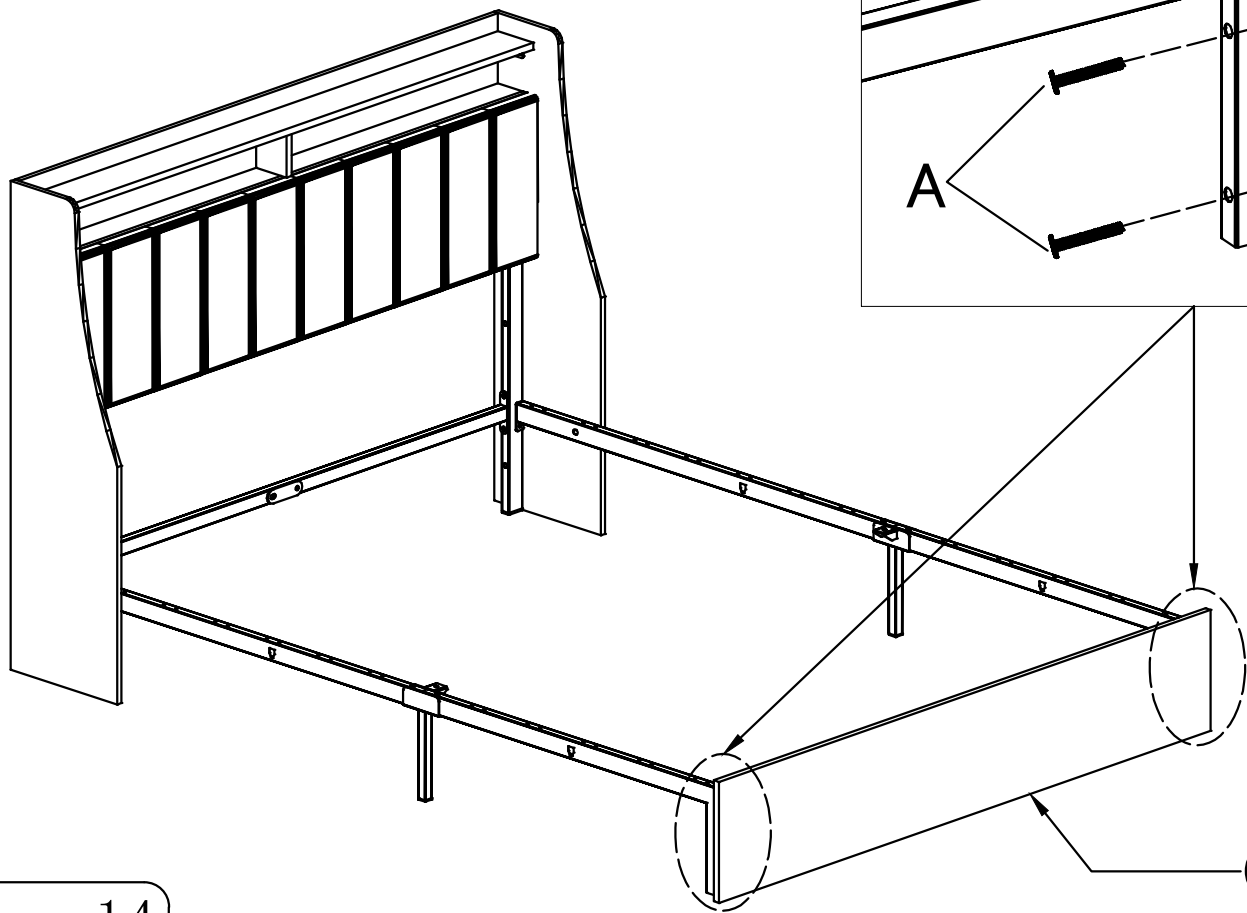
Step 12

Bx6



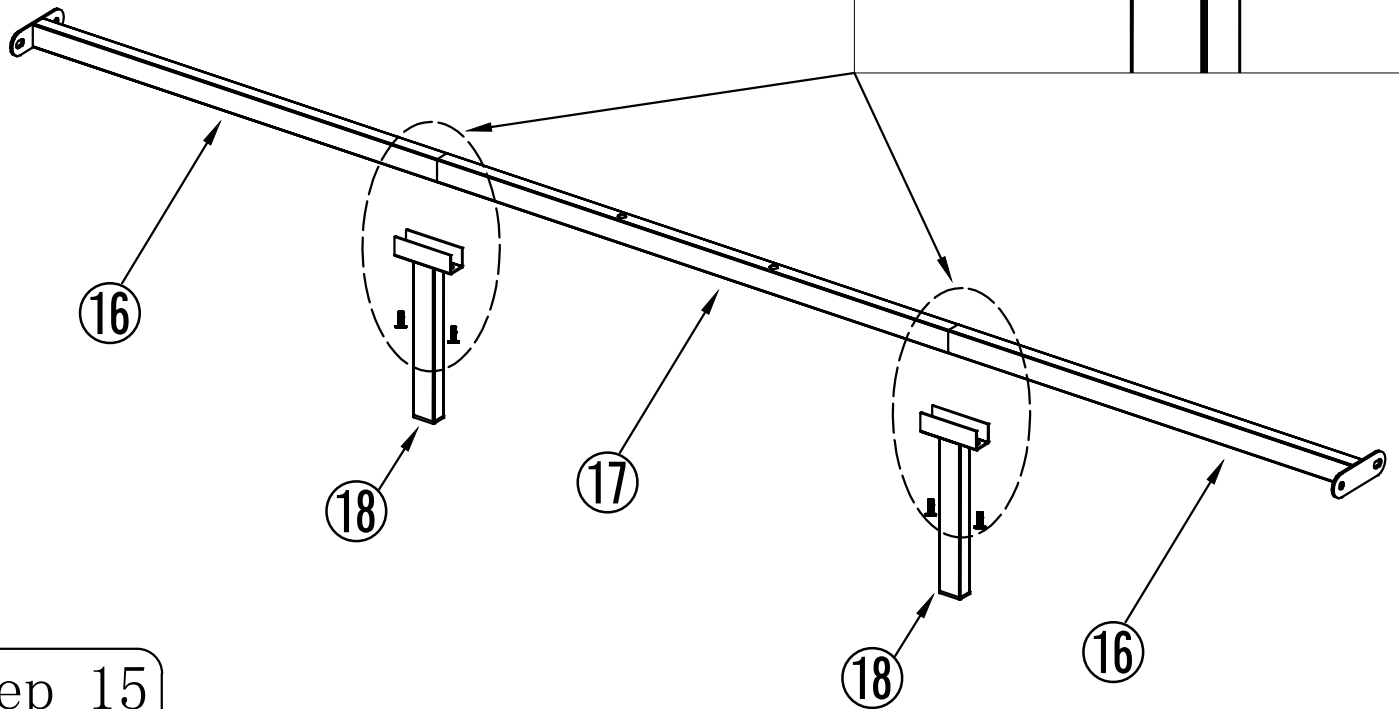
Step 13

Ax4



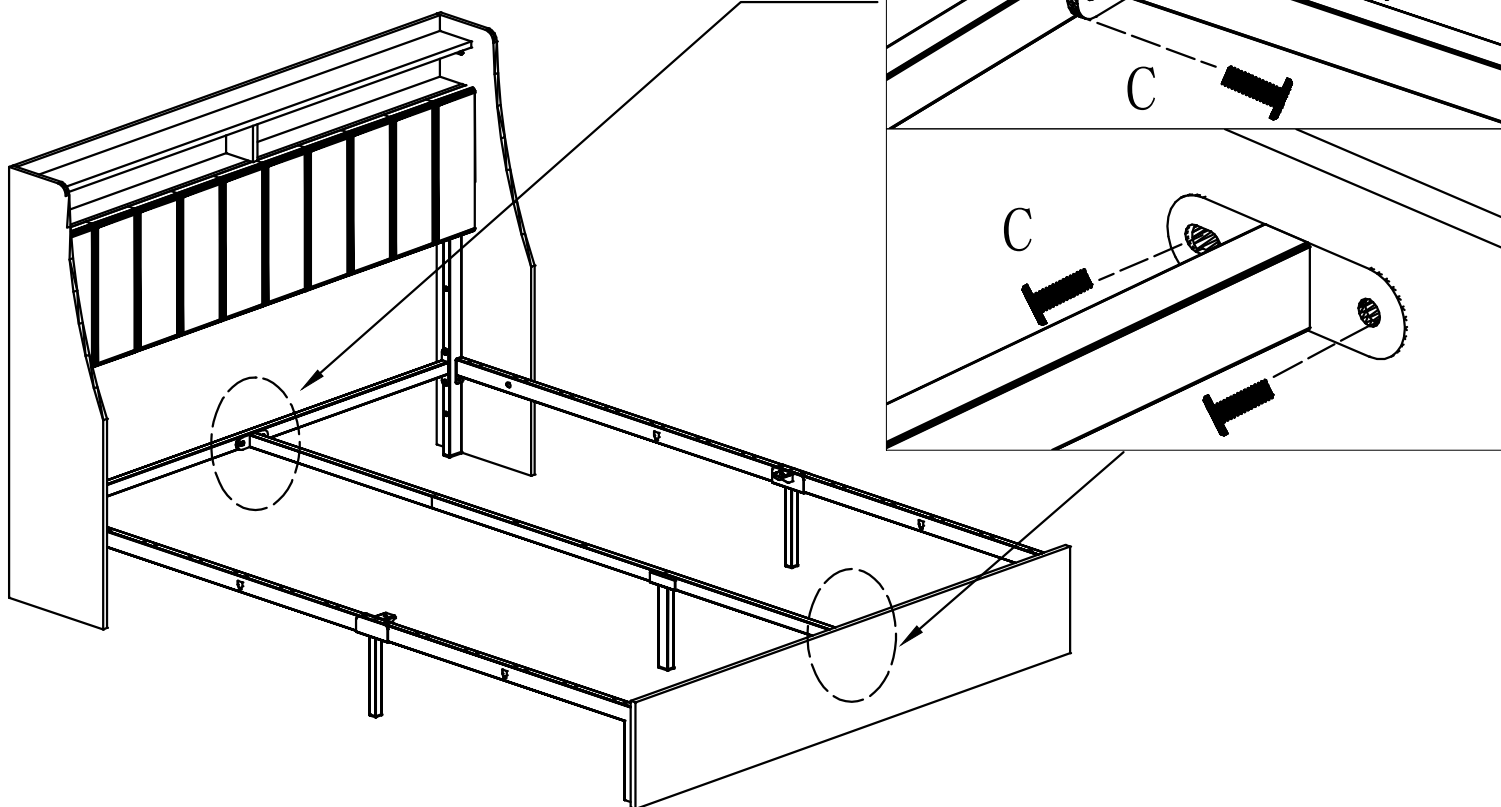
Step 14

Cx4



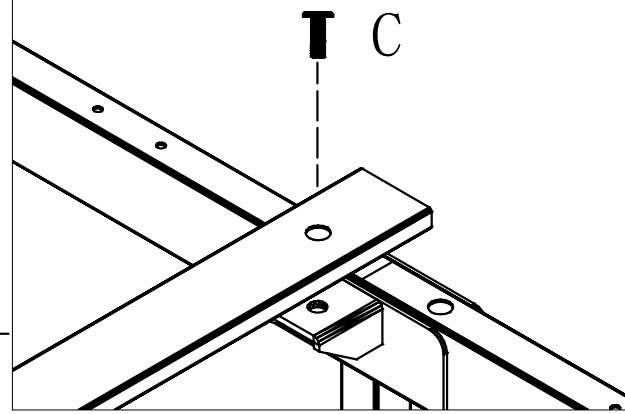
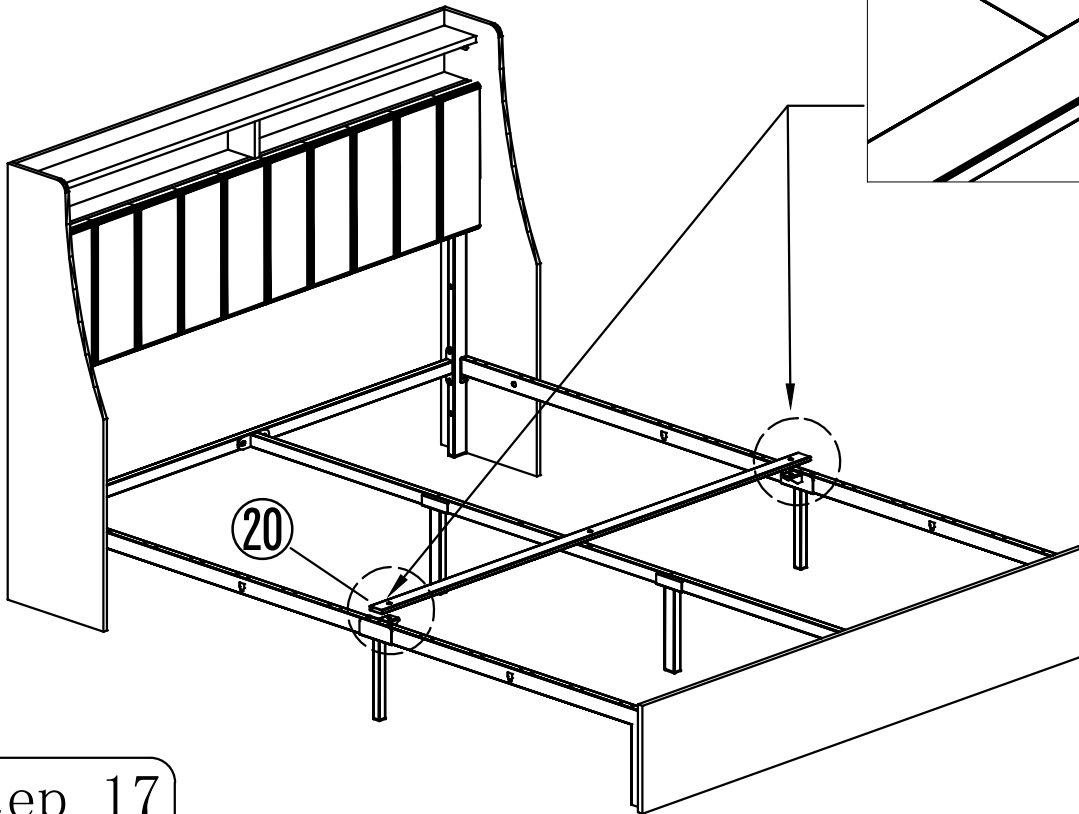
Step 15

Cx4



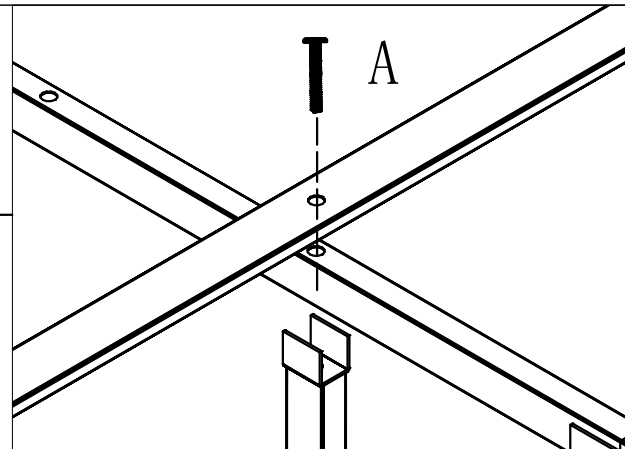
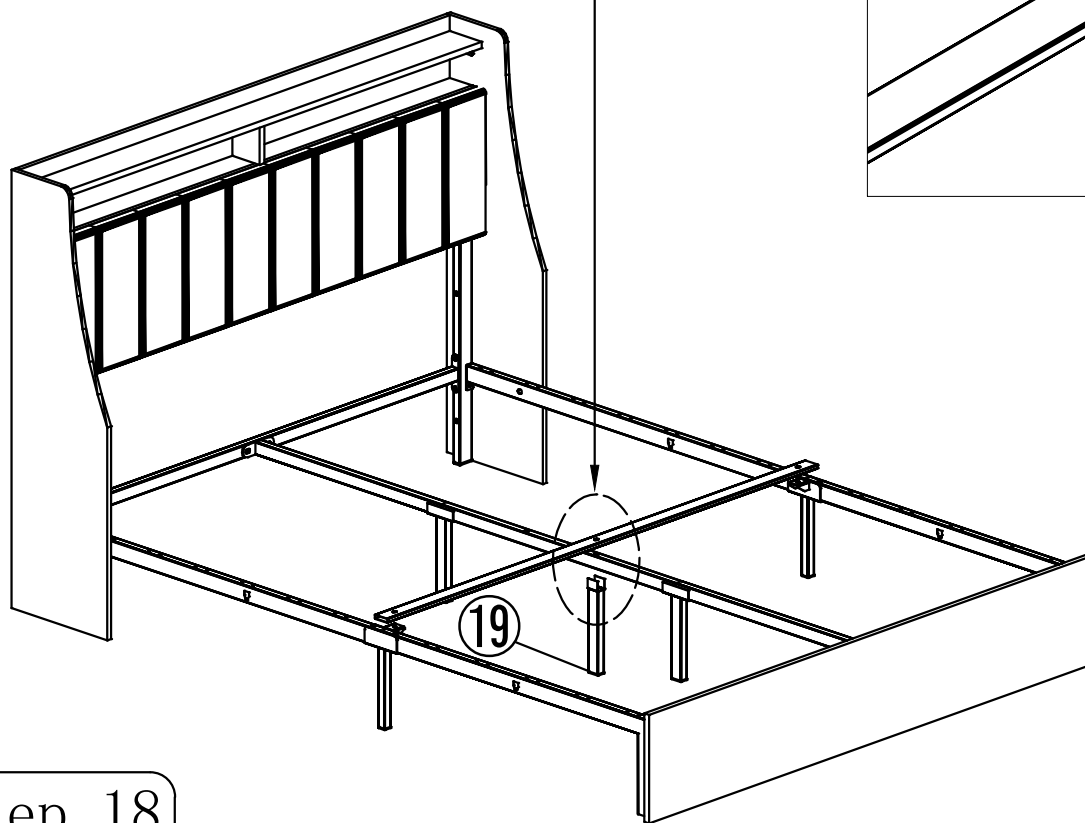
Step 16

Cx2

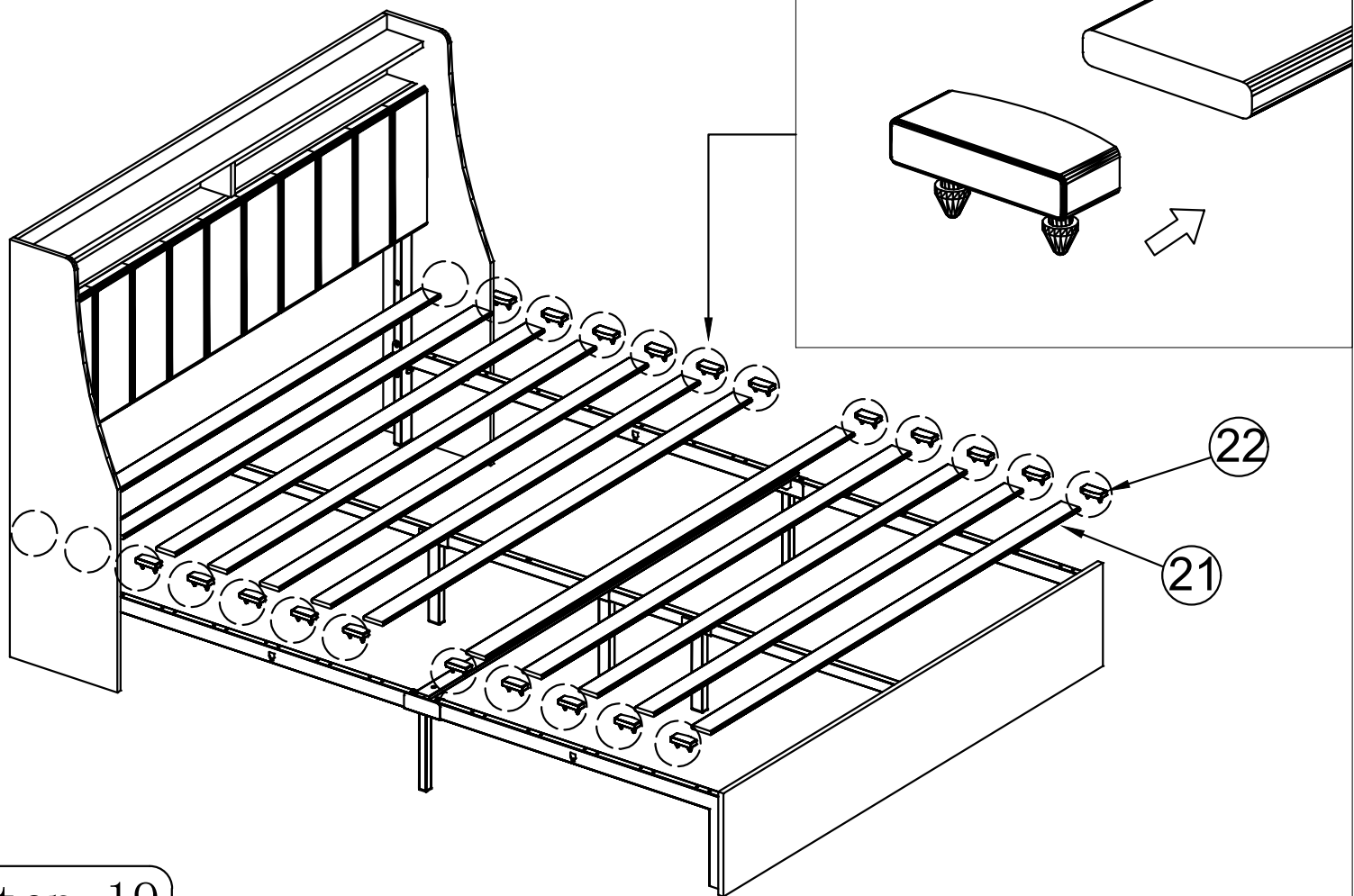


Step 17

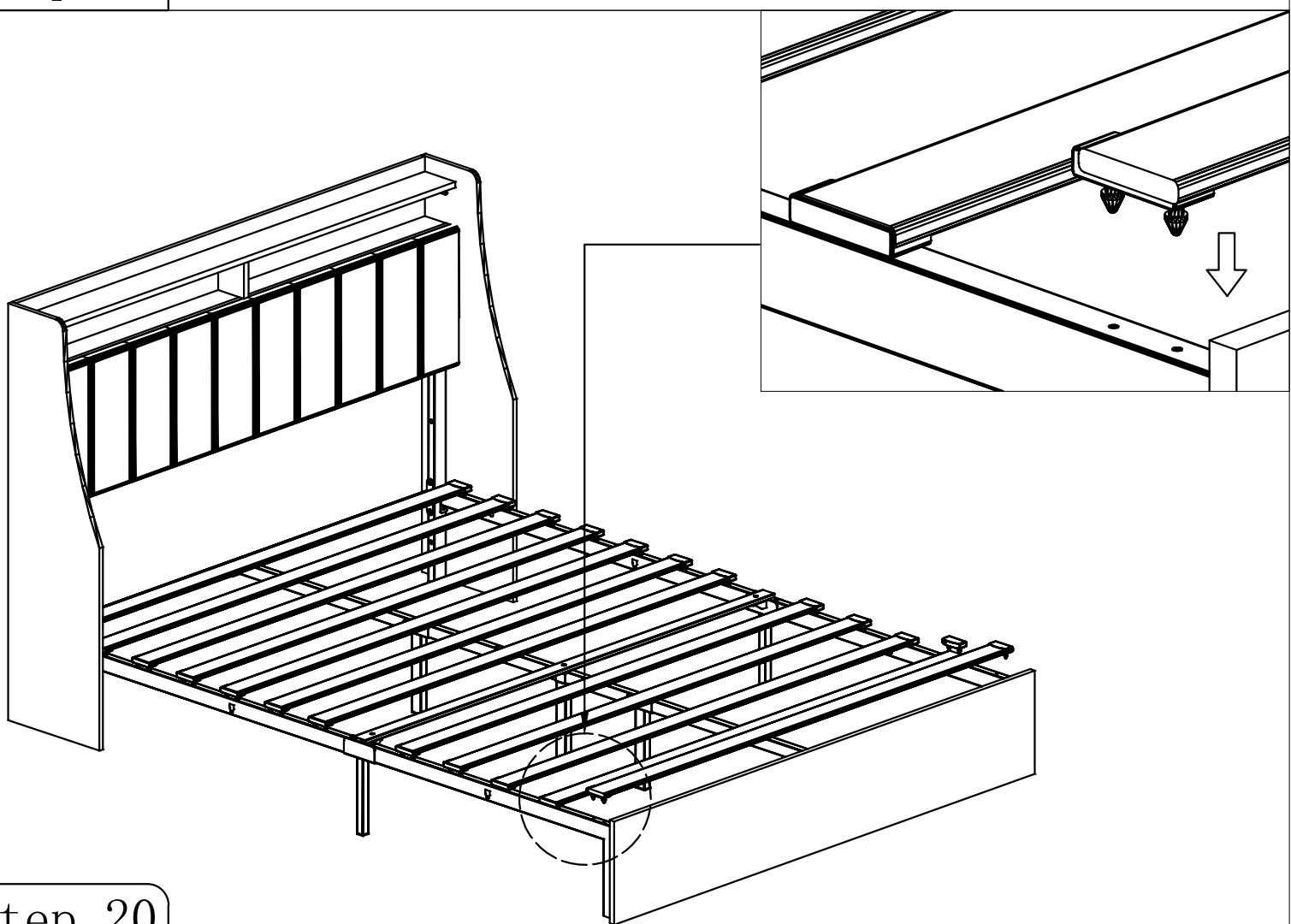
Ax1



Step 18

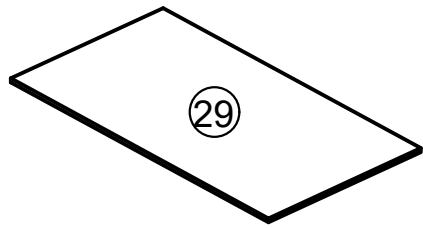


Step 19

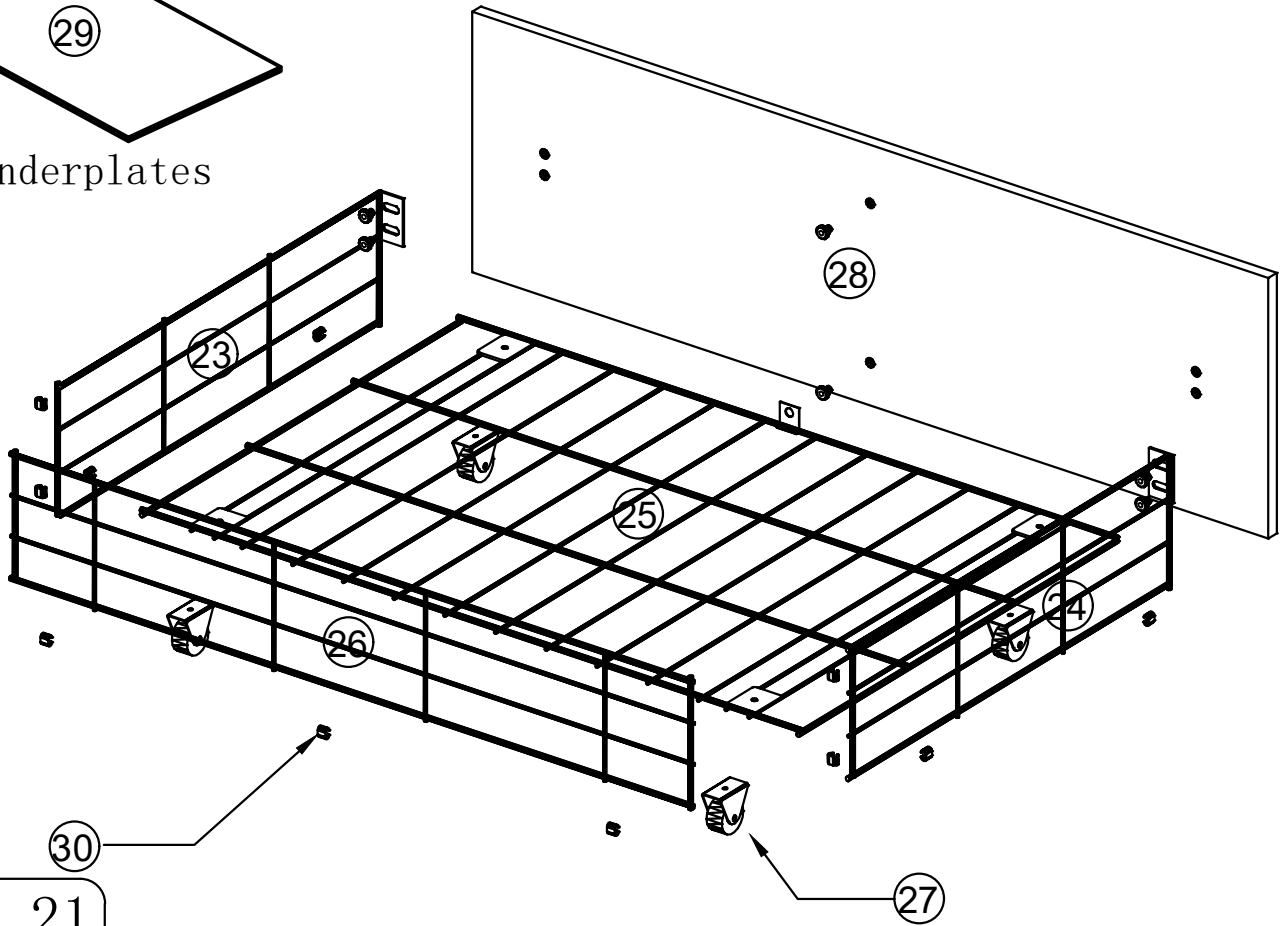


Step 20

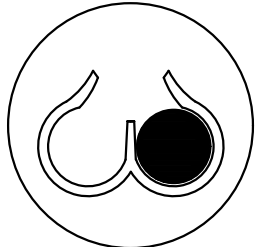
Drawers Overview



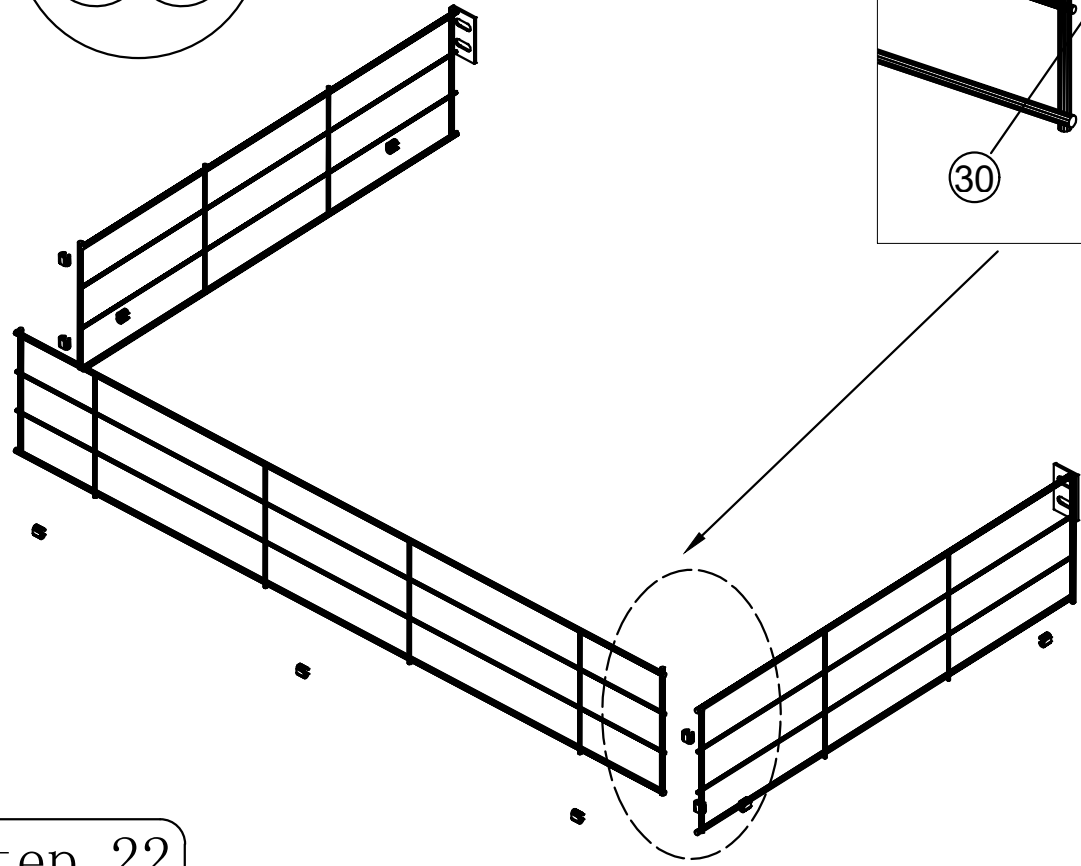
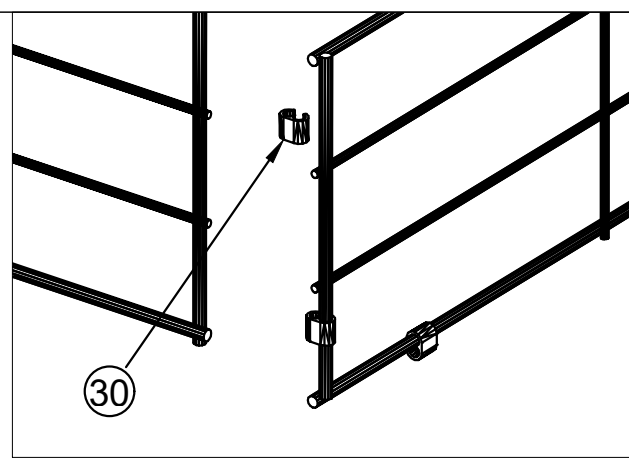
Underplates



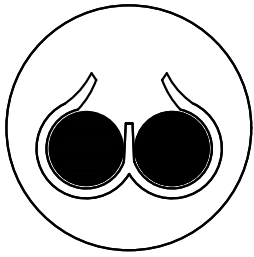
Step 21



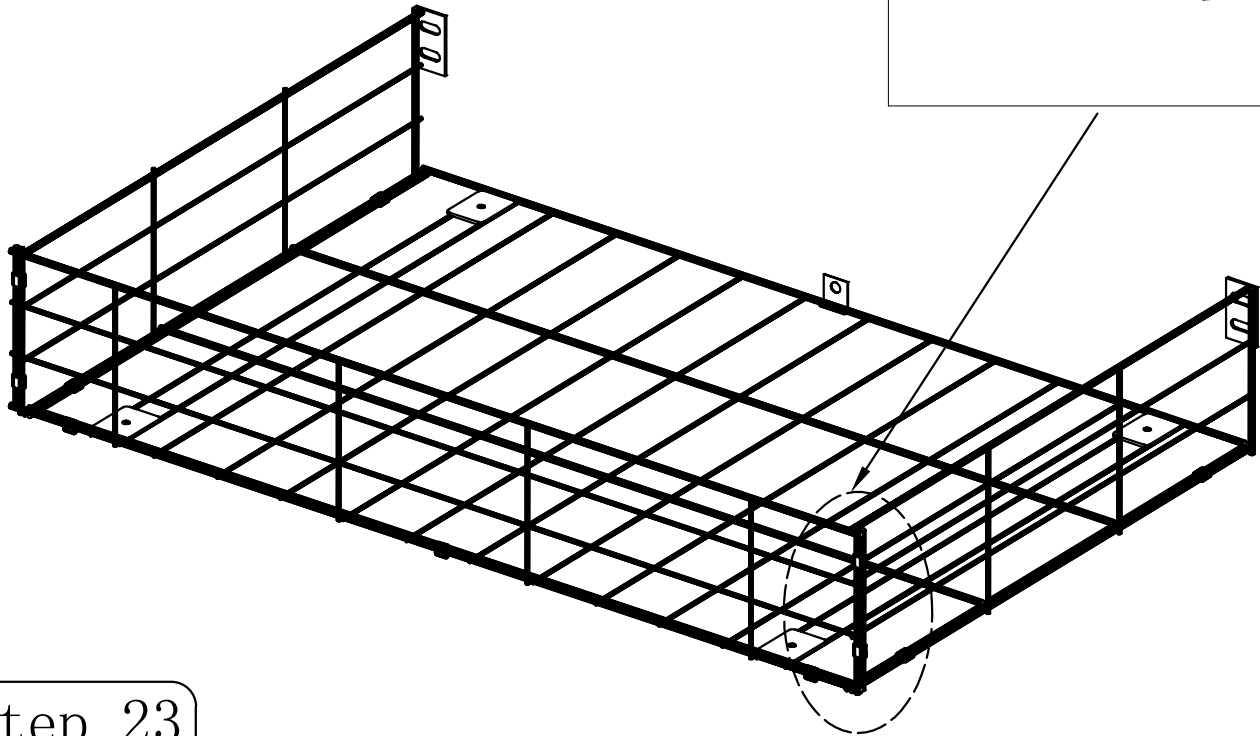
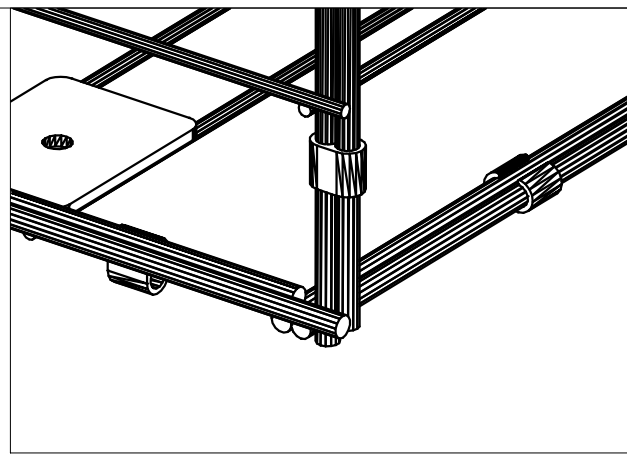
Embed 30 to the rod and make sure it is wrapped in one hole.



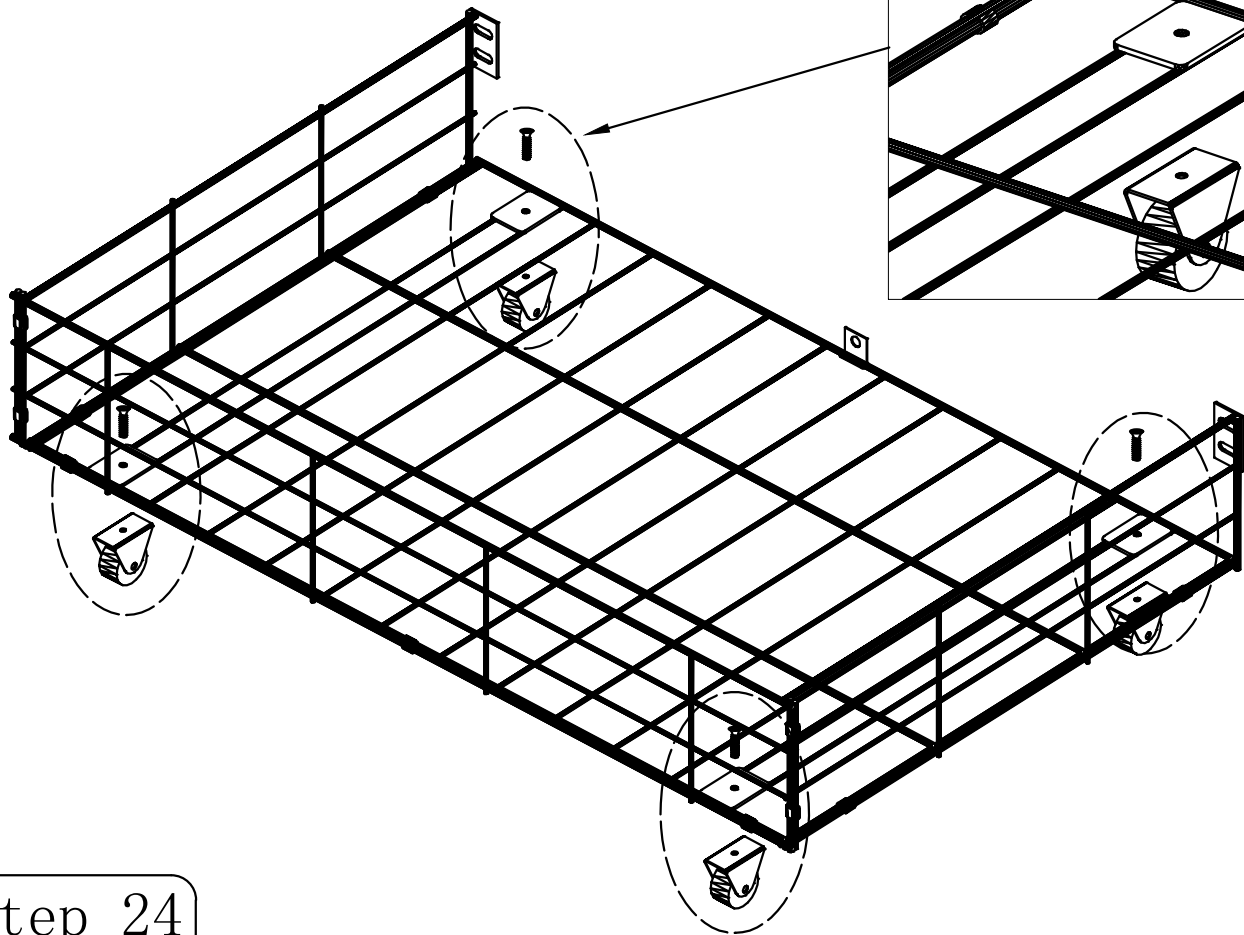
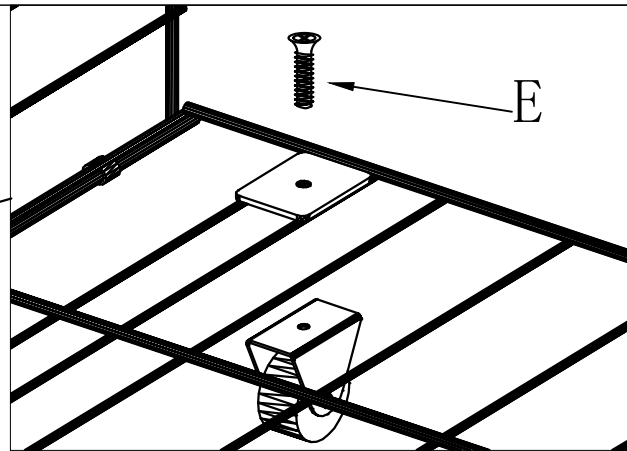
Step 22



Embed ③① to the rod and make sure it is wrapped in both hole.

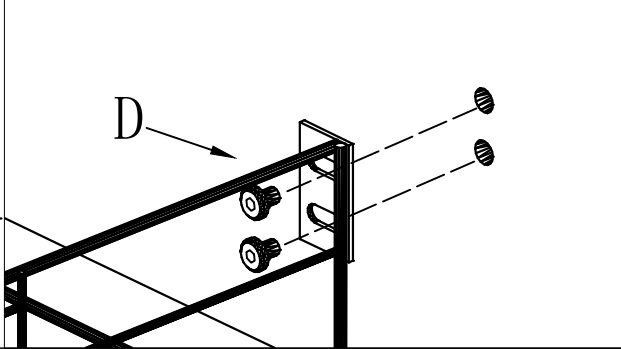
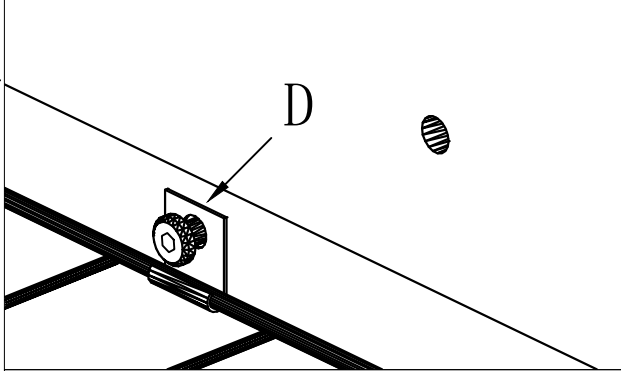
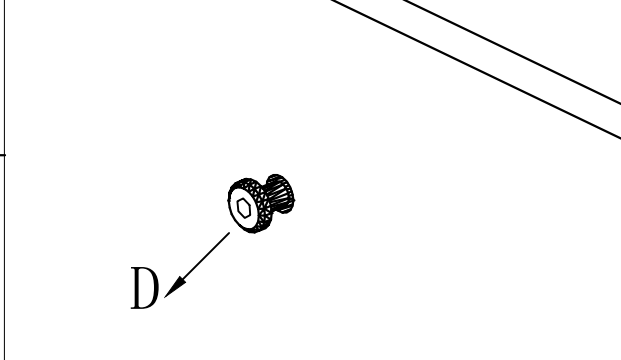
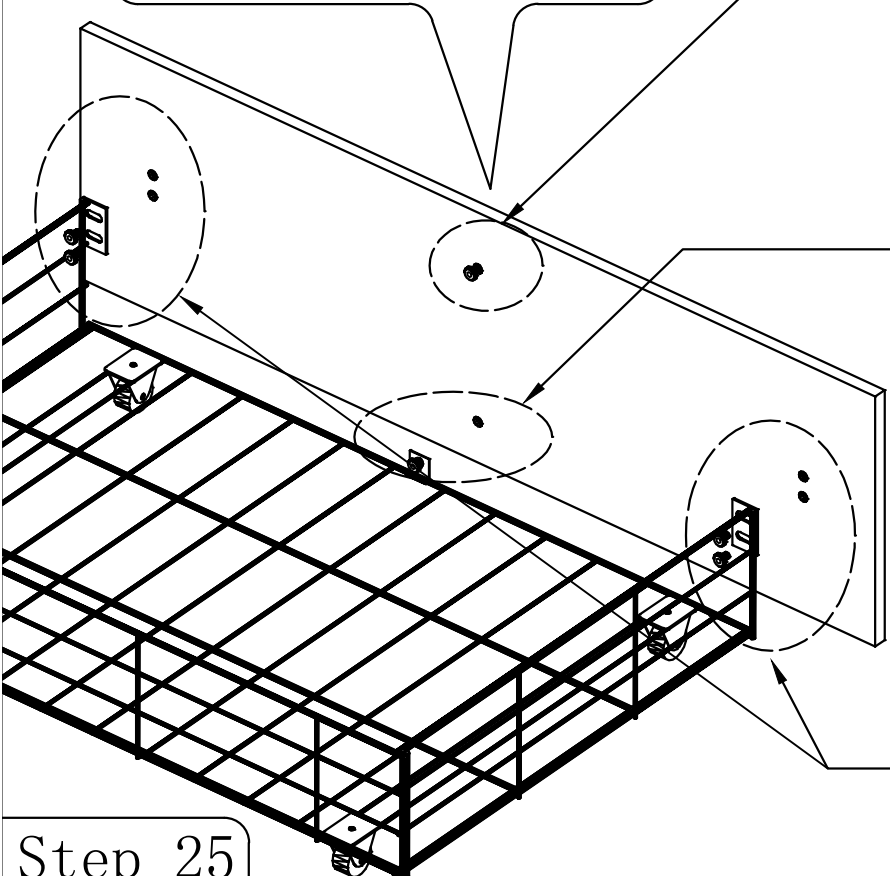


Step 23



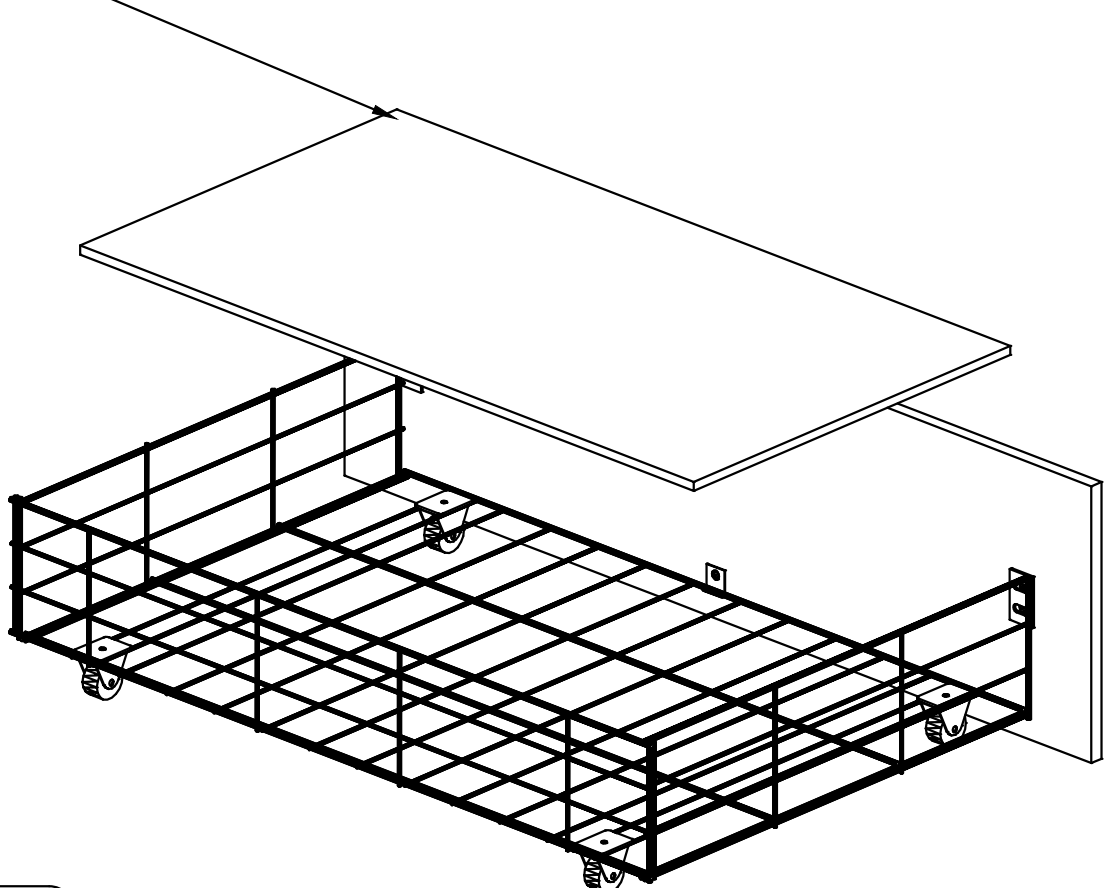
Step 24

Please do not tighten all the way-
the screw will act as a hook for the
drawer to the bed.



Step 25

Put down the black underplate on the drawer.



Step 26