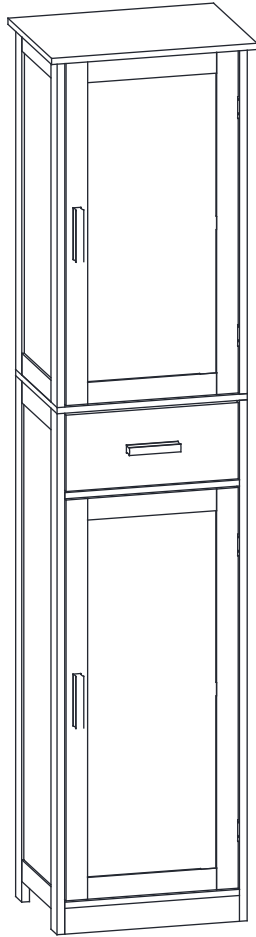
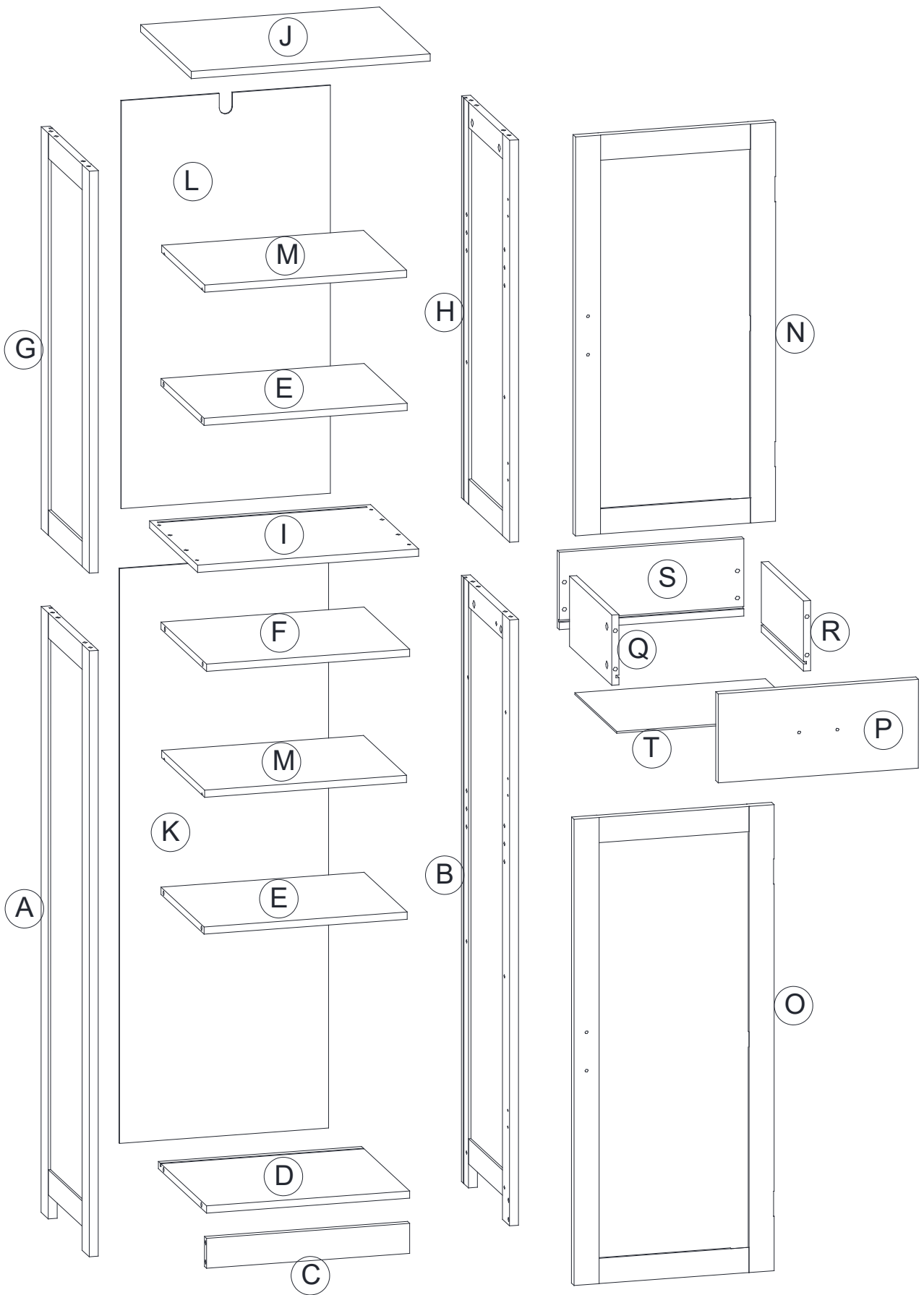


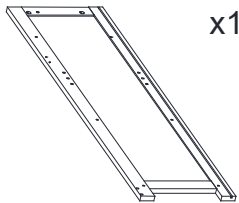
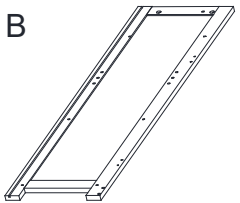




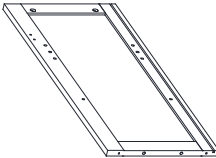
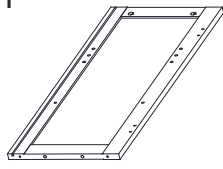

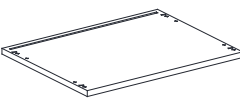







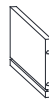


# ASSEMBLY INSTRUCTION

- 1、Please read the assembly instructions carefully before assembling and check all the parts.
- 2、DO not touch the cut surface of tube
- 3、Please ensure that you assemble the parts according to the assembly sequence specified in the instructions.



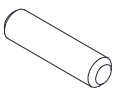
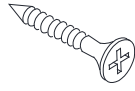
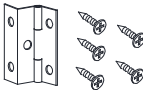
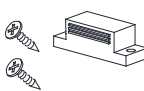
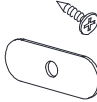




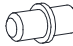





# Parts & Hardware List

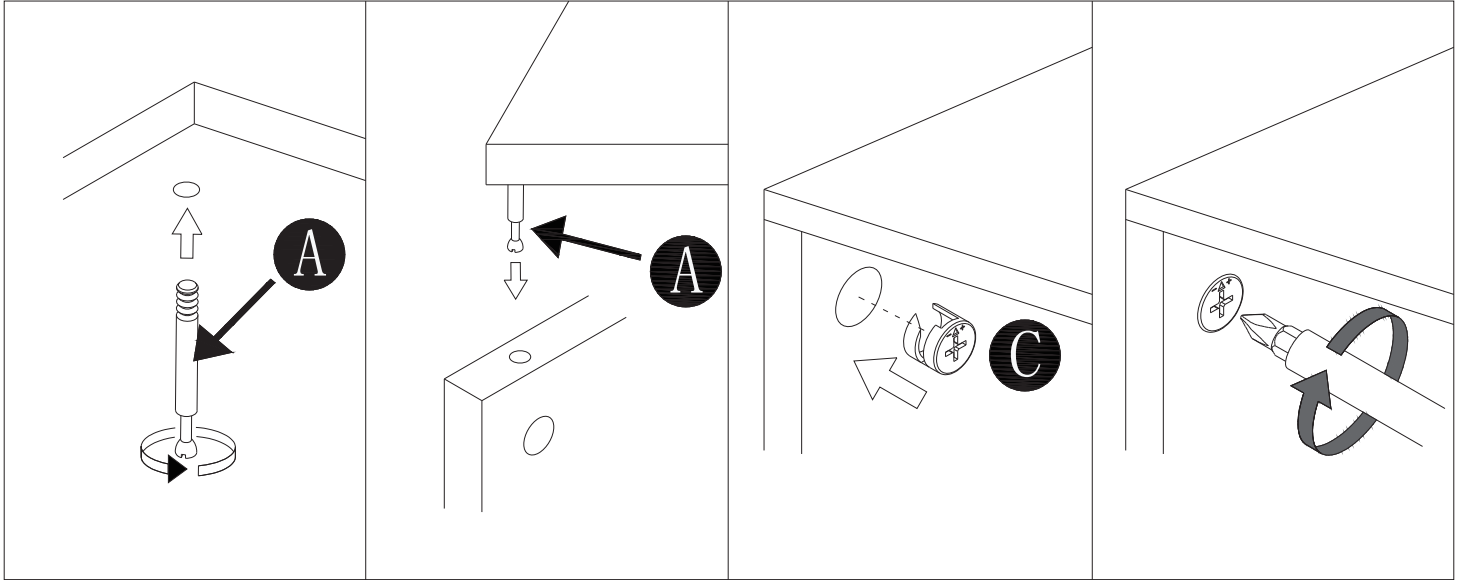
A  x1	B  x1	C  x1	D  x1
E  x2 255X340MM	F  x1 270X340MM	G  x1	H  x1
I  x1	J  x1	K  x1	L  x1
M  x2	N  x1	O  x1	P  x1
Q  x1	R  x1	S  x1	T  x1

# Parts & Hardware List

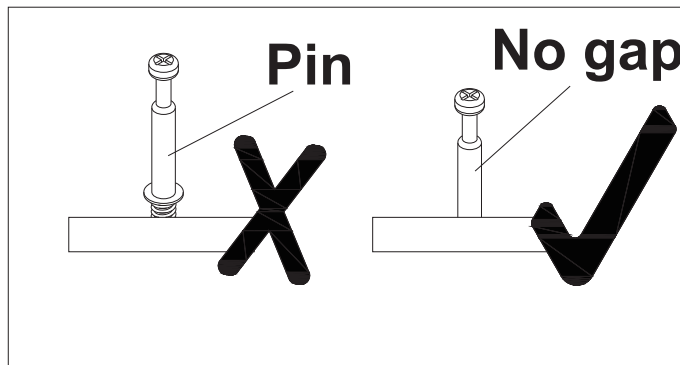
①  Qty:28+2	②  Qty:28+2	③  Qty:18+1	④  M4x35 Qty:8+1
⑤  Qty:4	⑥  M3x14 Qty:2	⑦  M3x10 Qty:2	⑧  Qty:16+1
⑨  Qty:3	⑩  M4x25 Qty:6+1	⑪  Qty:1	⑫  Qty:8+1
⑬  Qty:1			

# Installation of Cams and Pins

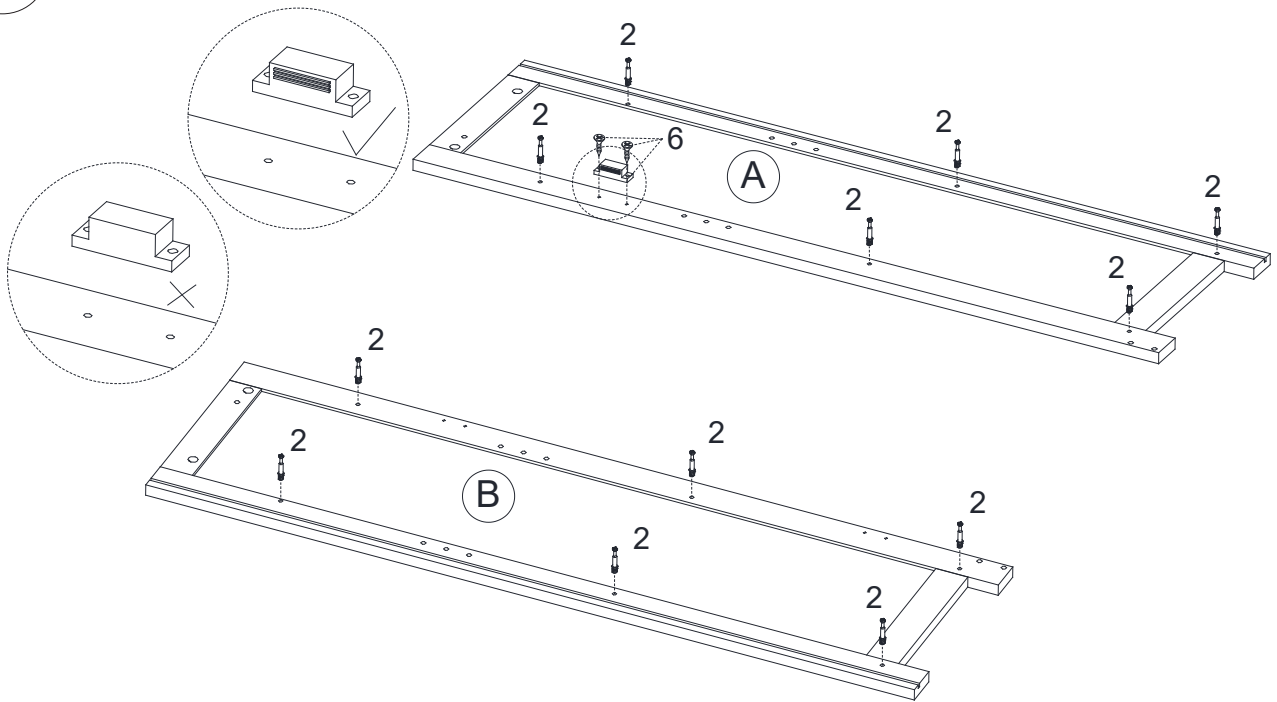
Screw the pin into the hole. To set the cams correctly, ensure that the arrow on the cam is opening to the hole of the pin it is locking. Lock the cam by turning the cam head with a screwdriver until it is tightened. Please do not use an electric screwdriver to assemble the unit.





Read each step carefully before starting. It is very important that each step of instruction is performed in the correct order. If these steps are not followed in sequence, assembly difficulties will occur.



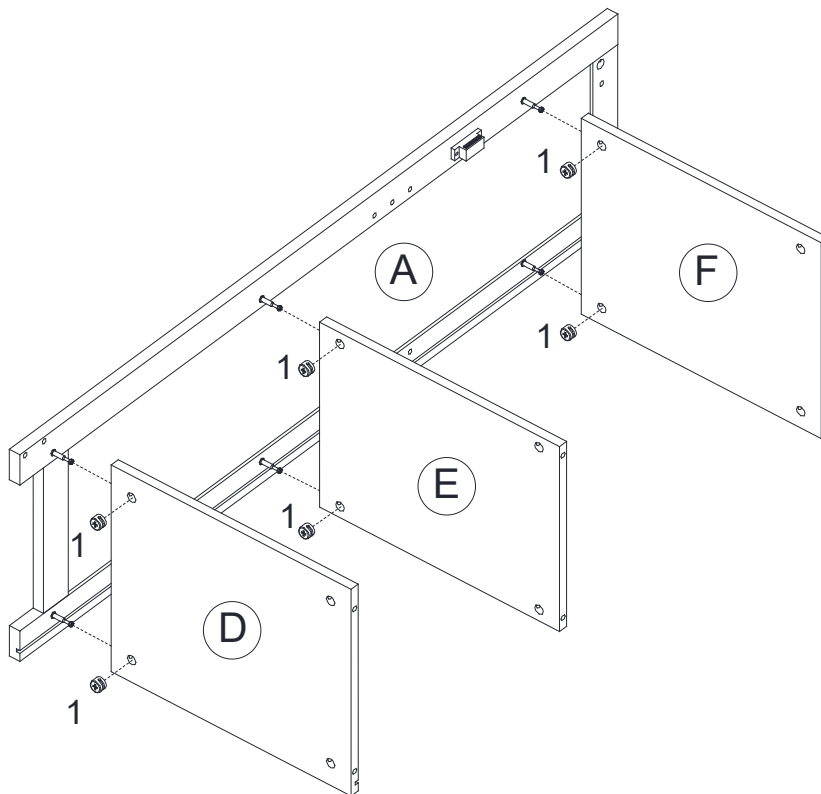
1



Tip: Make sure the #2 screws are mounted vertically, refer to the previous page for details.

6		X 1
2		X 12

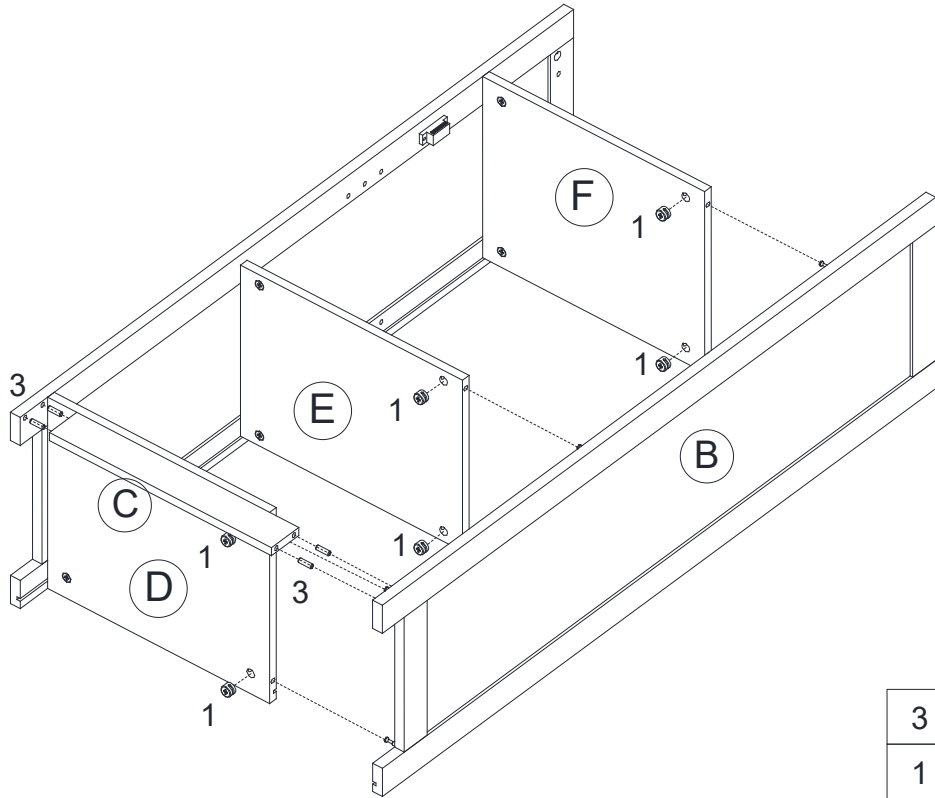
2





Tip: Pay attention to the position of the groove in the #D board. Tighten the screws after confirming that the direction and position of the boards are correct according to the instruction picture. Make sure the #1 screw is tight or the cabinet will wobble.

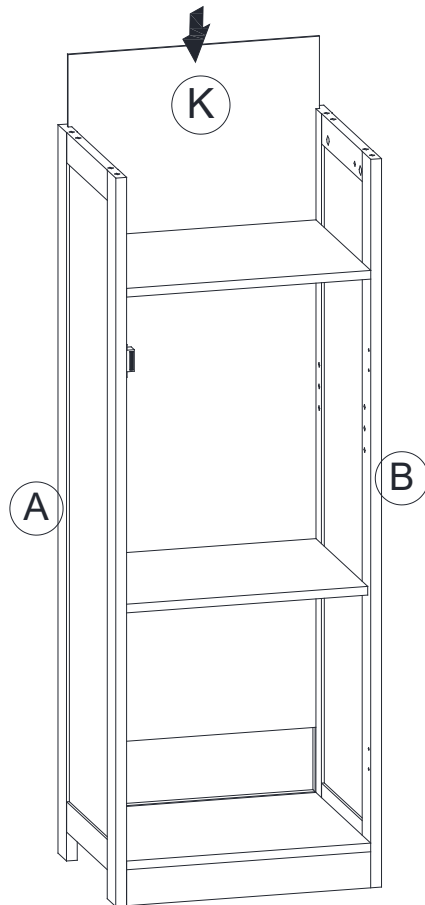
1		X 6
---	---	-----

3

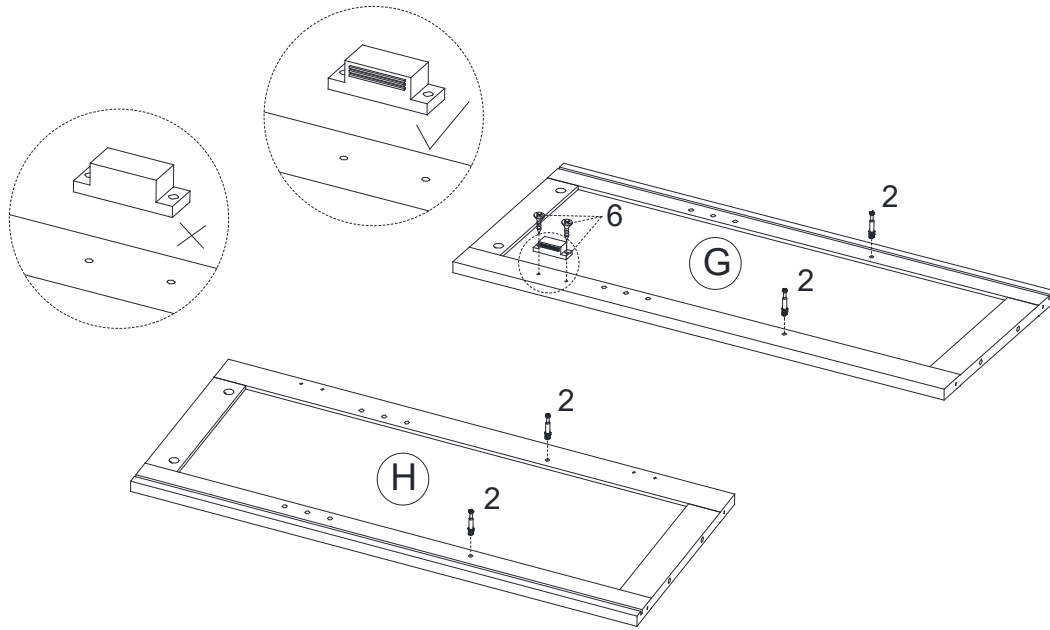




3		X 4
1		X 6

4

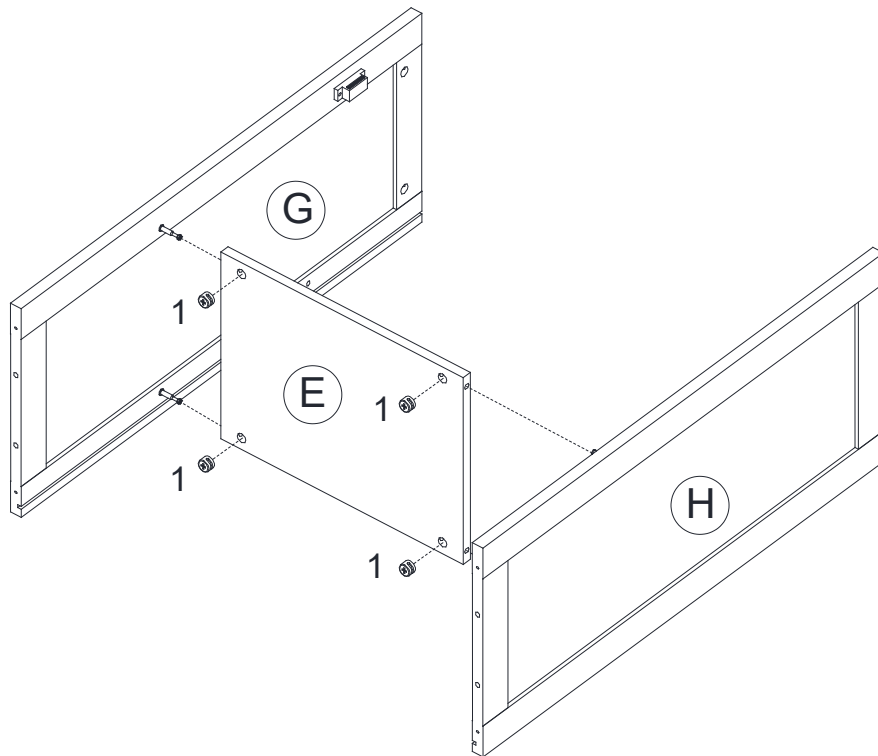


5



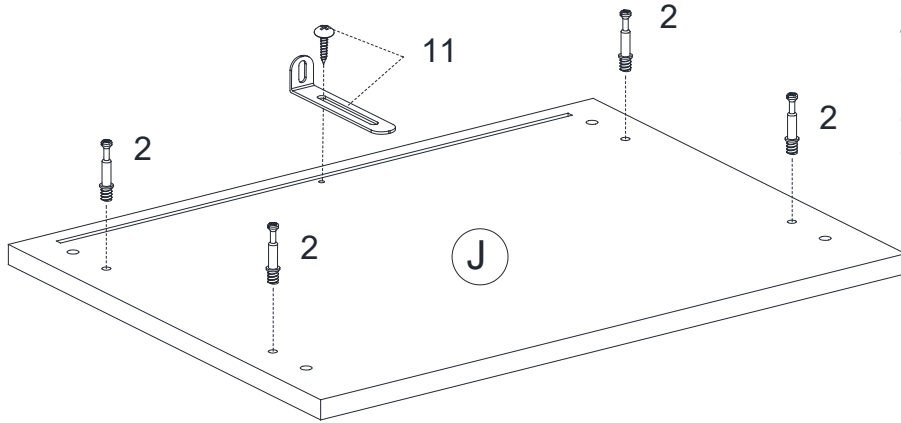
6		X 1
2		X 4

6

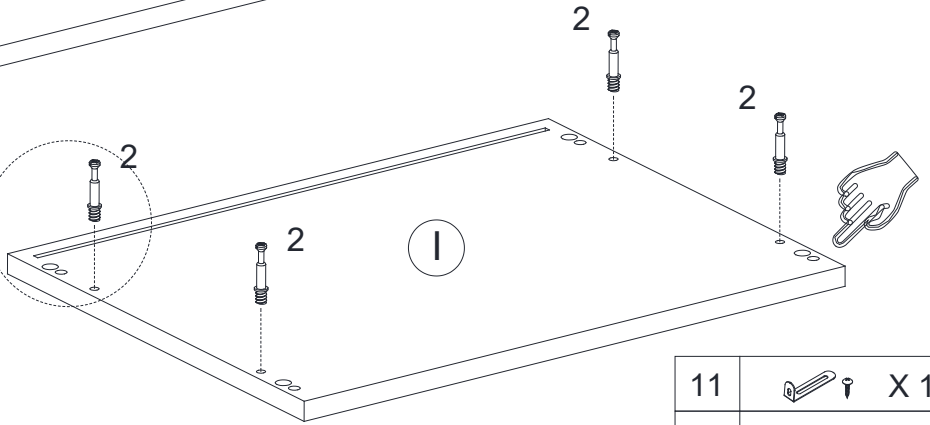
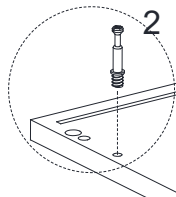
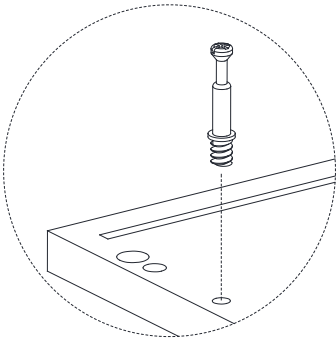




1		X 4
---	---	-----

7



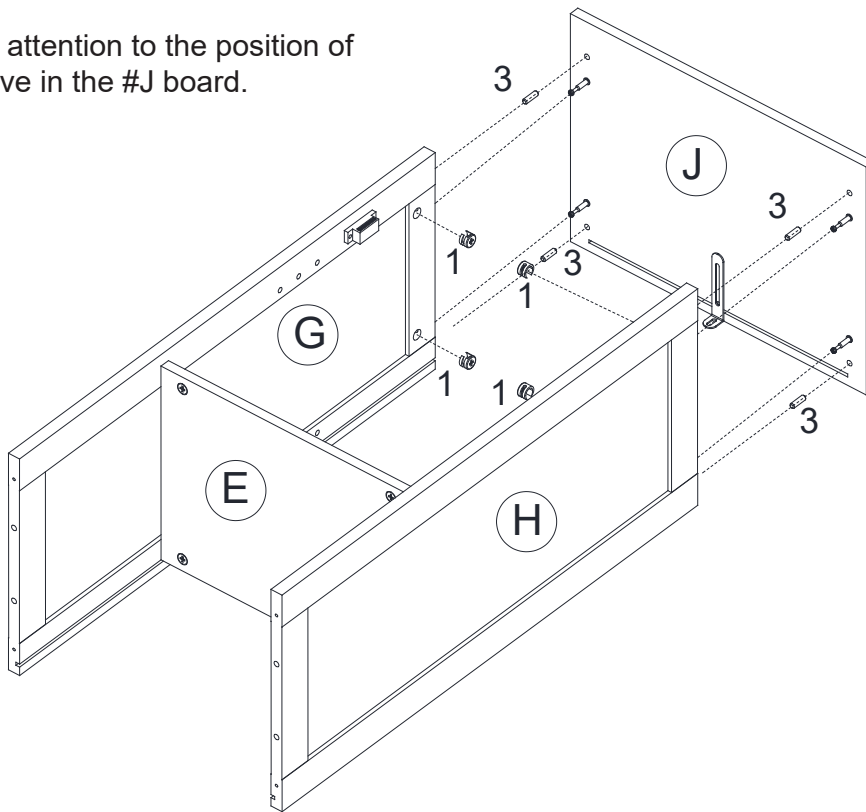
Tip: Tighten the screws after confirming that the direction and position of the holes are correct according to the instruction picture.





11		X 1
2		X 8

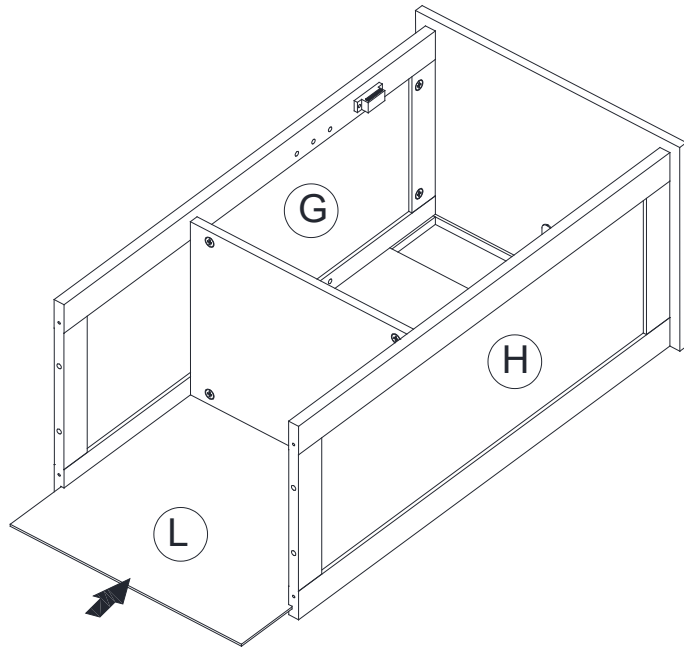
8

Tip: Pay attention to the position of the groove in the #J board.

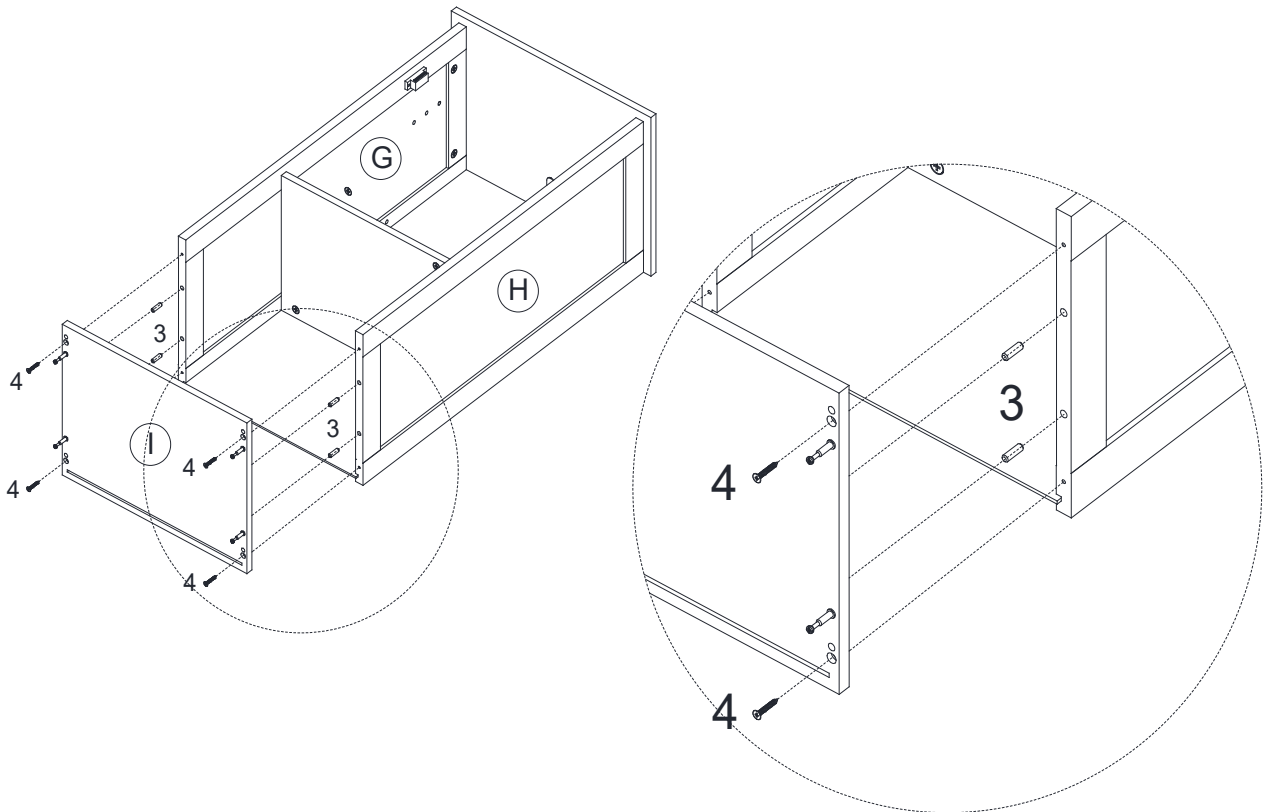




3		X 4
1		X 4

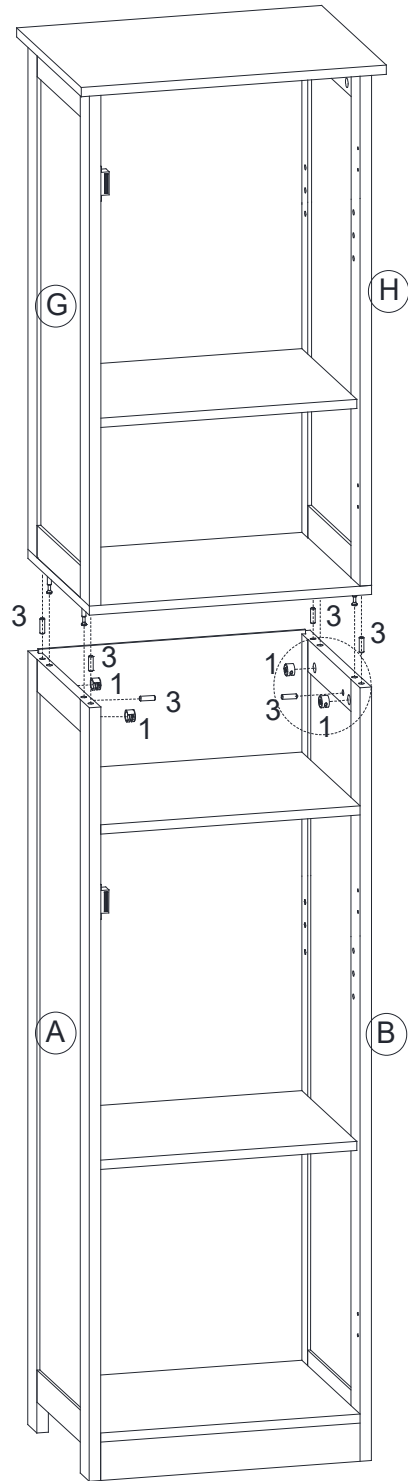
9



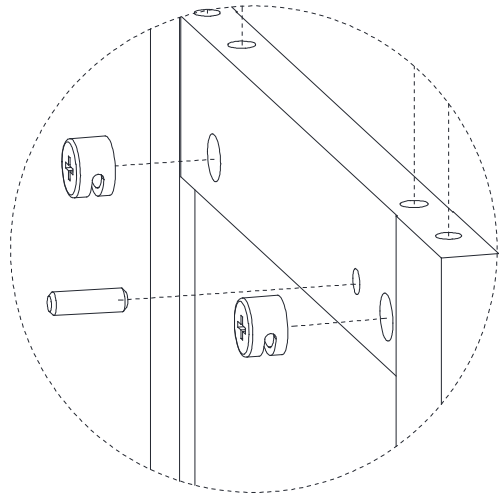
10





3		X 4
4		X 4

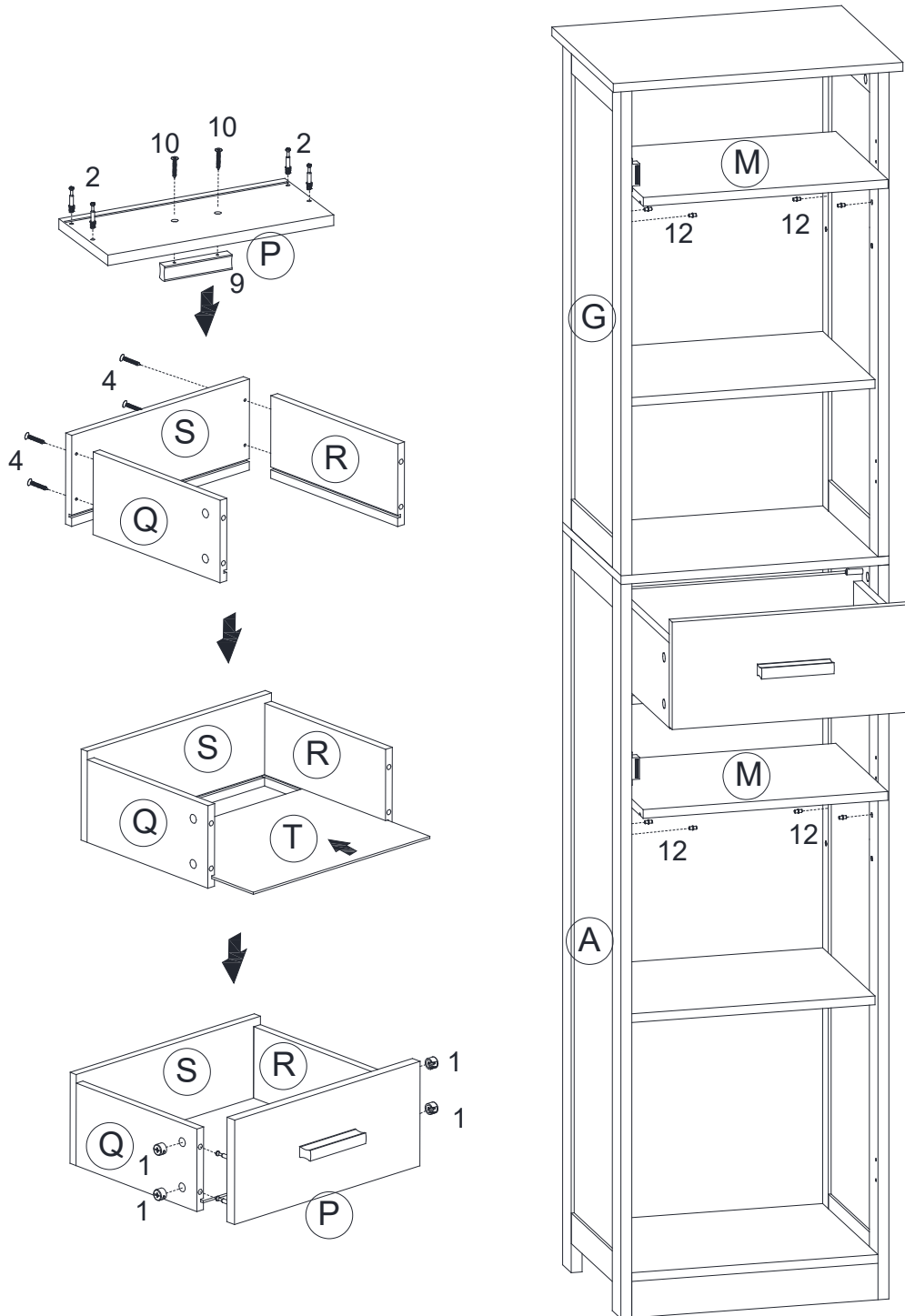








Tip: Tighten the screws after confirming that the direction and position of the holes are correct according to the instruction picture.



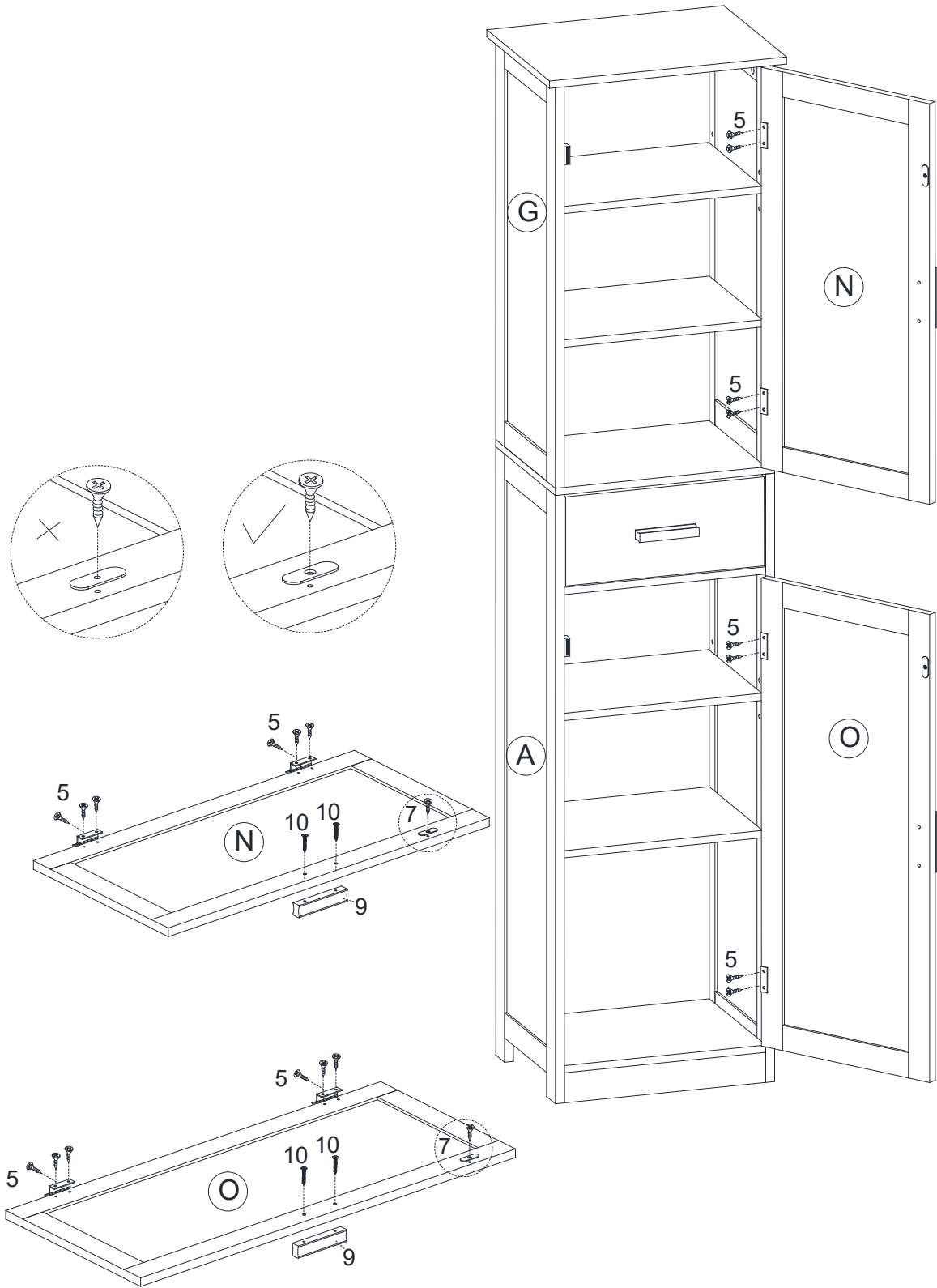
3		X 6
1		X 4



Tip: Pay attention to the position of the groove in the boards when assembling the drawers.

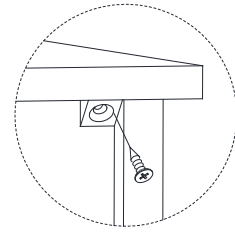
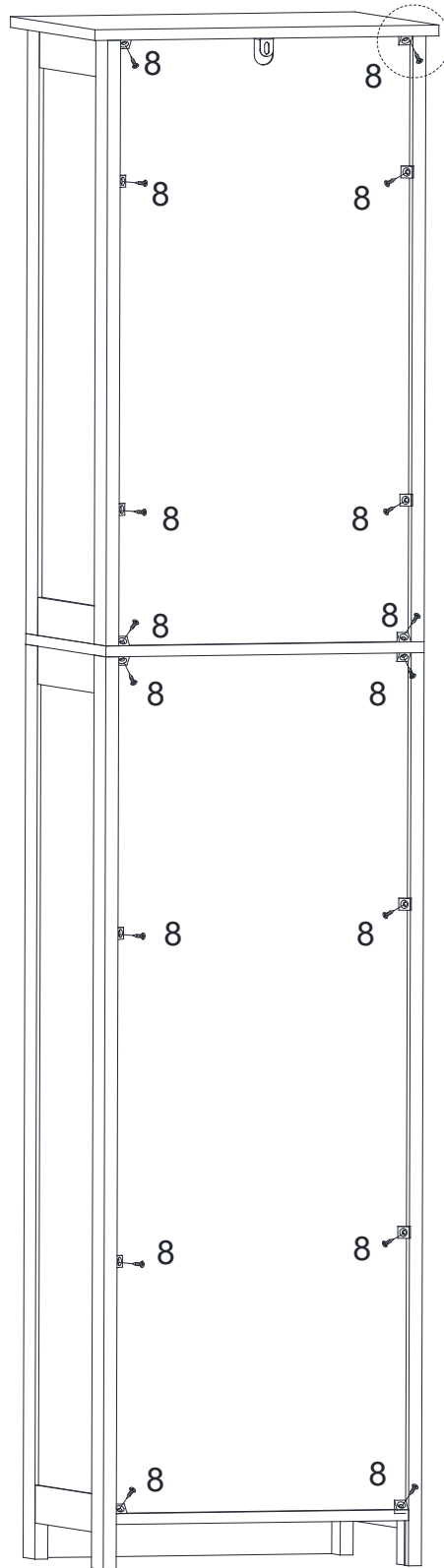


12		X 8
10		X 2
9		X 1
4		X 4
2		X 4
1		X 4

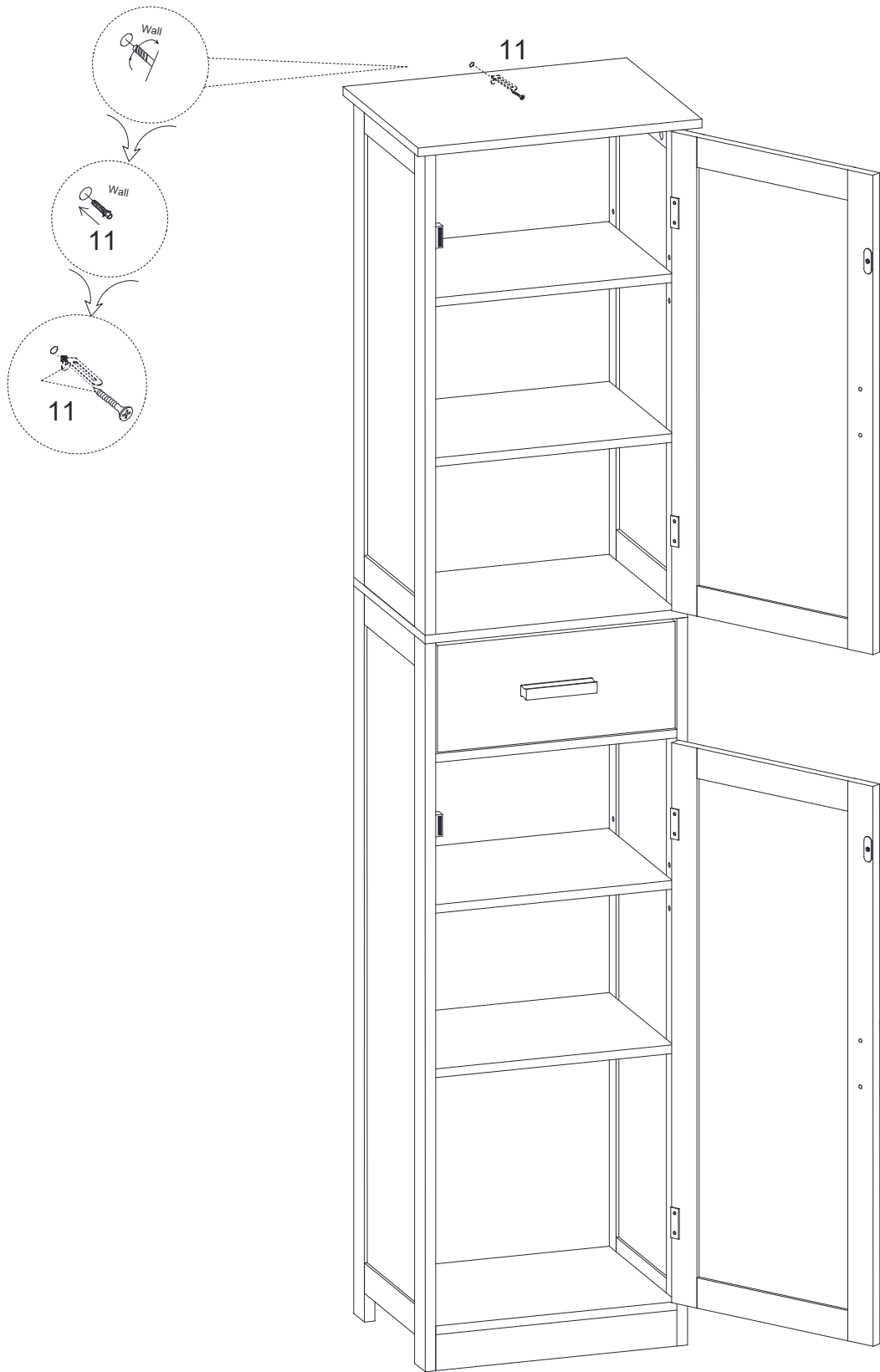
Tip: The screws #5 and the holes must be mounted vertically, if there is a point of playing crooked, after assembly, it will lead to the doors do not line up correctly.



10		X 4
9		X 2
7		X 2
5		X 4



8		X 16
---	---	------



11		X 1
----	---	-----