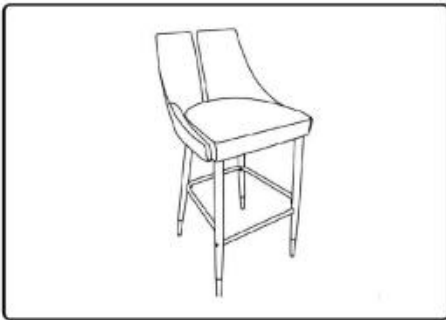


ASSEMBLY INSTRUCTIONS



+ Do Not Use Power Tools



+ Suggested Adults



NOTE:

- 1 Read instructions cover to cover.
- 2 Save all packaging until assembly is completed.

1 IMPORTANT SAFETY INFORMATION

Do not assemble the product if any of the following parts arrived damaged:

- Part # ① - Cushion
- Part # ② - Bar
- Part # ③ - Bracket
- Part # ④ - Leg 4 #
- Part # ⑤ - Leg 5 #

Do not assemble if any of the following Hardware parts are missing:

- Part # A - Bolt (M6*45) 6PCS
- Part # B - Bolt (M6*28) 2PCS
- Part # C - Bolt (M6*15) 2PCS
- Part # D - Flat Washer (φ 16*φ 6) 4PCS
- Part # E - Allen wrench (4mm) 1PC

2 IMPORTANT ASSEMBLY INFORMATION

Assembly Step If loosening persists, please make sure to tighten all the bolts periodically, or use a thread locker adhesive.

+ Parts Included

- ① Cushion 1PC
- ② Bar 1PC



- ③ Bracket 1PC
- ④ Leg 4 # 1PC



- ⑤ Leg 5 # 1PC



+ Hardware Included

- A Bolt (M6*45) 6PCS
- B Bolt (M6*28) 2PCS



- C Bolt (M6*15) 2PCS
- D Flat Washer (φ 16*φ 6) 4PCS

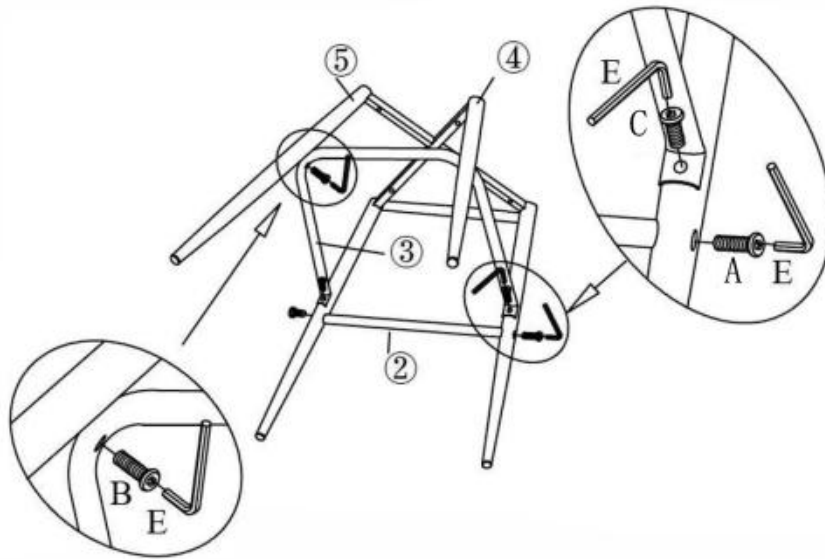


- E Allen wrench (4mm) 1PC



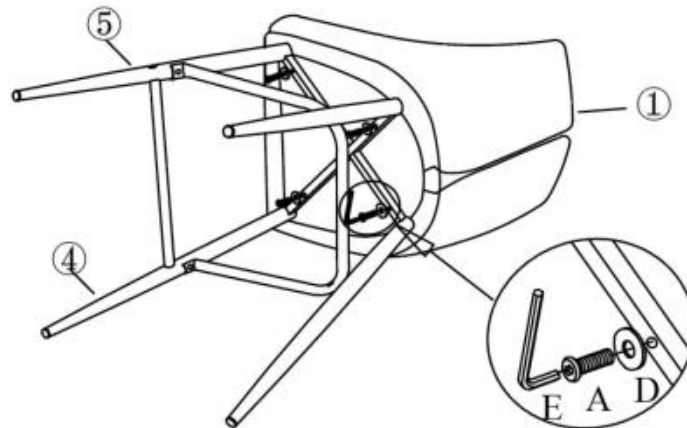
ASSEMBLY INSTRUCTIONS

1



Note: At this stage, do not fully tighten the Bolts.

2



Note: At this stage, do not fully tighten the Bolts.