






<b>Product Name:</b>	Wood and Metal Console and Entryway Table
<b>SKU #:</b>	WHIF1092




Thank you for purchasing this LuxenHöme product. This product has been manufactured with the highest standards of safety and quality.

**PLEASE READ ALL INSTRUCTIONS BEFORE ASSEMBLY.**

Unpack all parts from the packaging inside the carton to ensure there are no missing or damaged parts. If any parts are missing or damaged, do not attempt to assemble or use the product.

**CARTON CONTENTS:**

1		Bolt	Φ8*20MML	8pcs
2		Nut	Φ8MM	8pcs
3		Wrench		1pc
4		Allen wrench		1pc
5		Nut	Φ6MM	4pcs
6				1pc
7				2pcs
8				1pc
9				1pc
10				1pc

A		1pc
B		4pcs
C		1pc

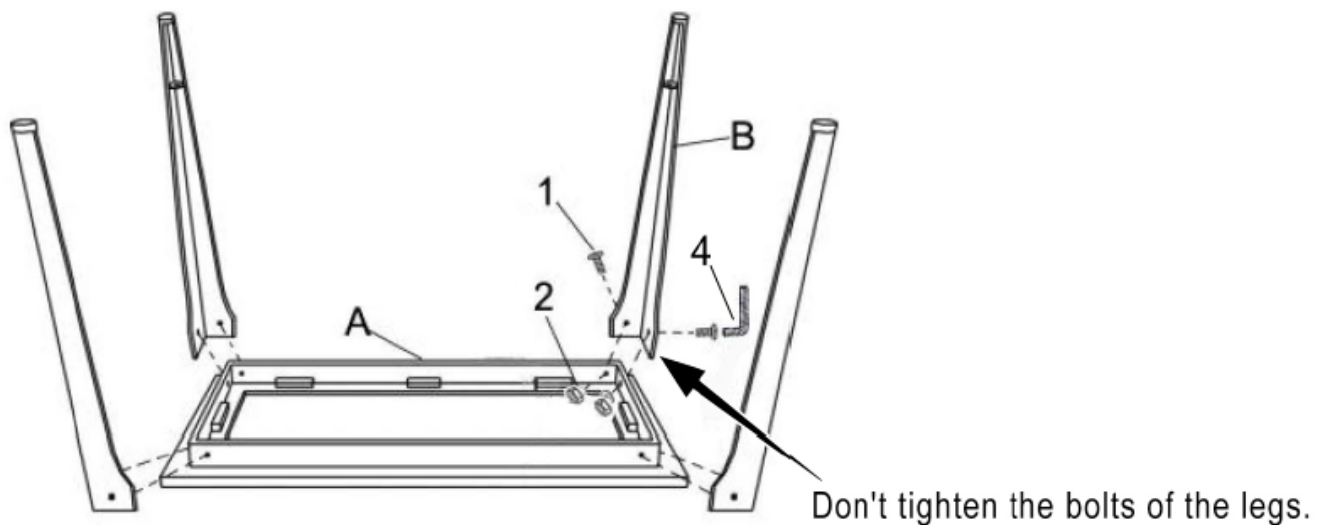
**Tools required for assembly:** Allen Wrench and Wrench provided (if using power tools, use with care)

<b>Product Name:</b>	Wood and Metal Console and Entryway Table
<b>SKU #:</b>	WHIF1092

### Assembly Instructions:

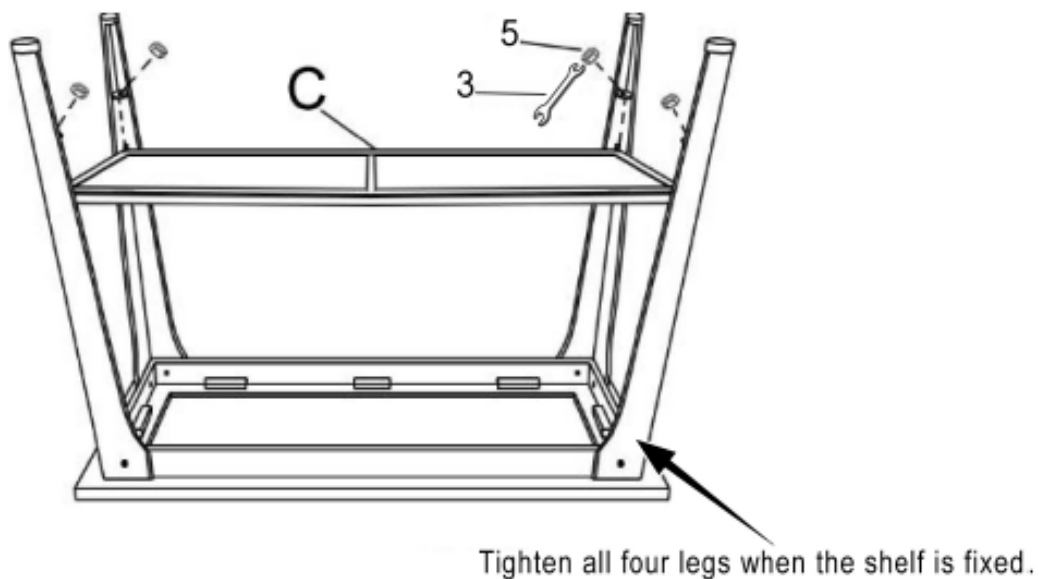
#### Step 1

Attach the four (B) legs to the tabletop (A). Align the legs and tighten the bolts (1) and nuts (2) with the Allen Wrench (4).



#### Step 2

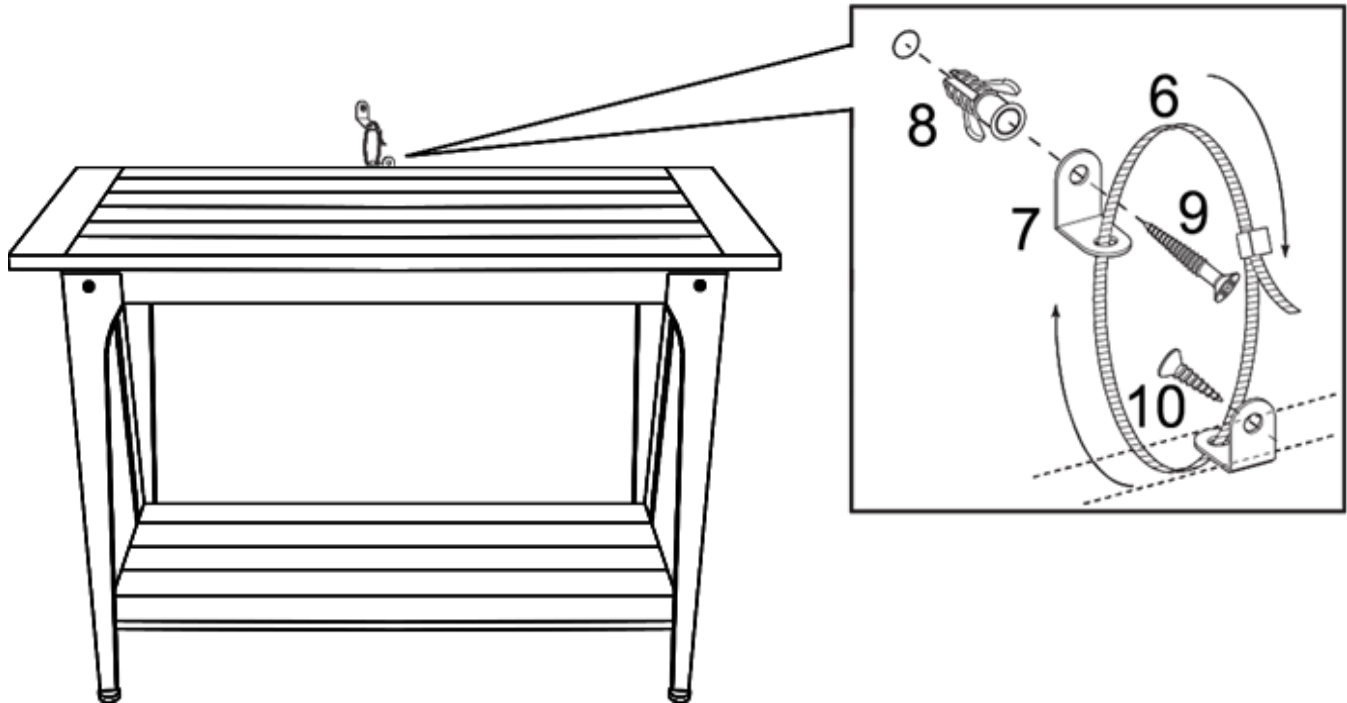
Attach the (C) shelf to the (B) legs. Align and tighten the nuts (5) with the Wrench (3).



#### Step 3

<b>Product Name:</b>	Wood and Metal Console and Entryway Table
<b>SKU #:</b>	WHIF1092

Find the position you would like the table to be. Drill a hole in the wall and Insert (F). Screw in (G) to (A) and wall insert (F).



**Clean & Maintenance:** Wipe the table and shelf with a dry or damp cloth as needed.



**Special Warnings and Cautions:**

To avoid injury and/or damage, please do not climb, sit, or stand on the table as this may cause serious bodily injuries and/or product damage.