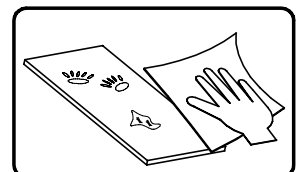
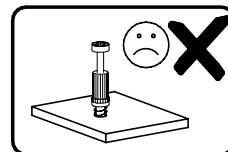
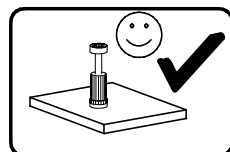
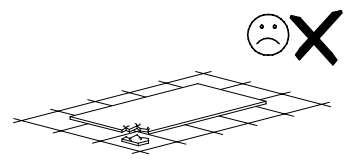
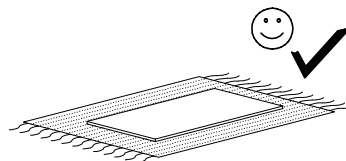
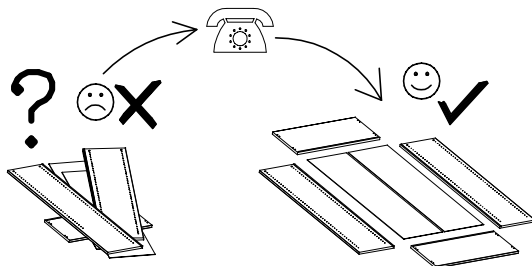
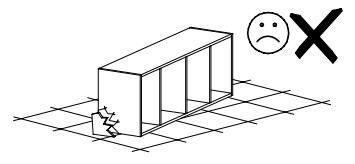
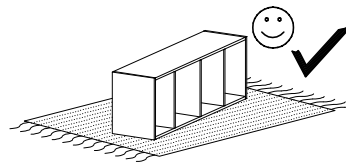
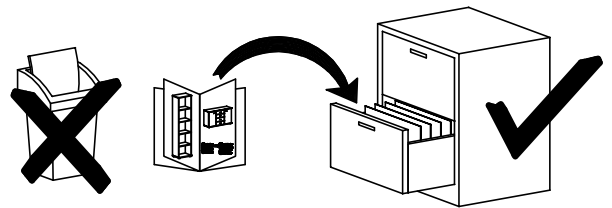
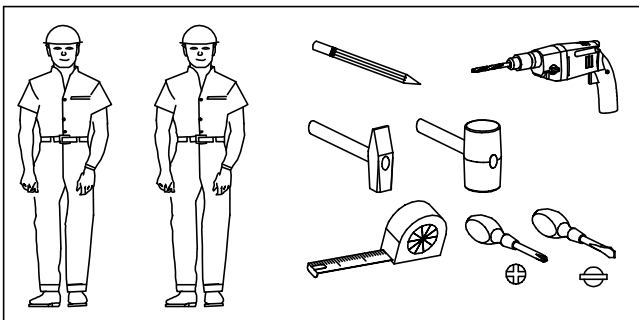
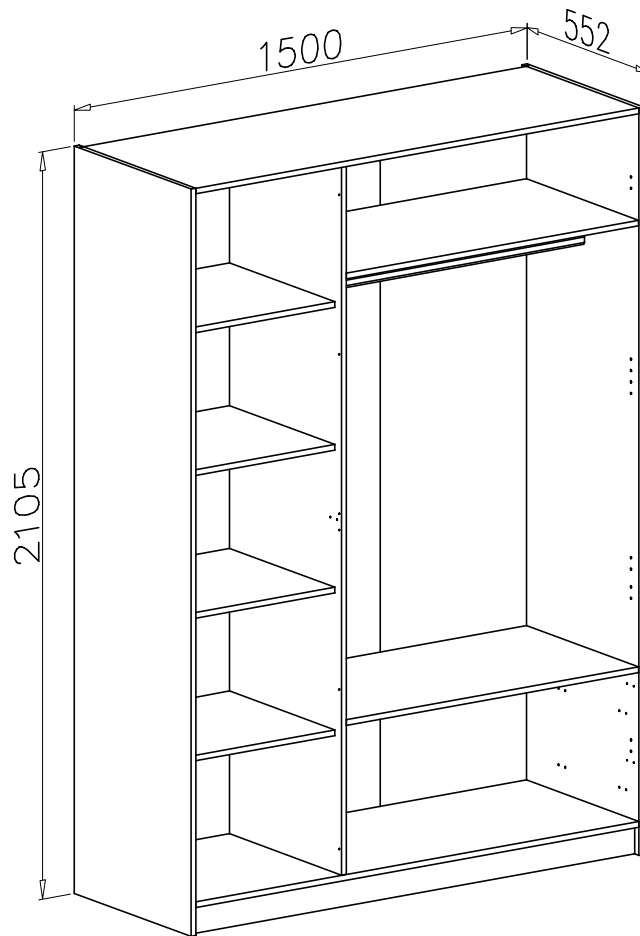
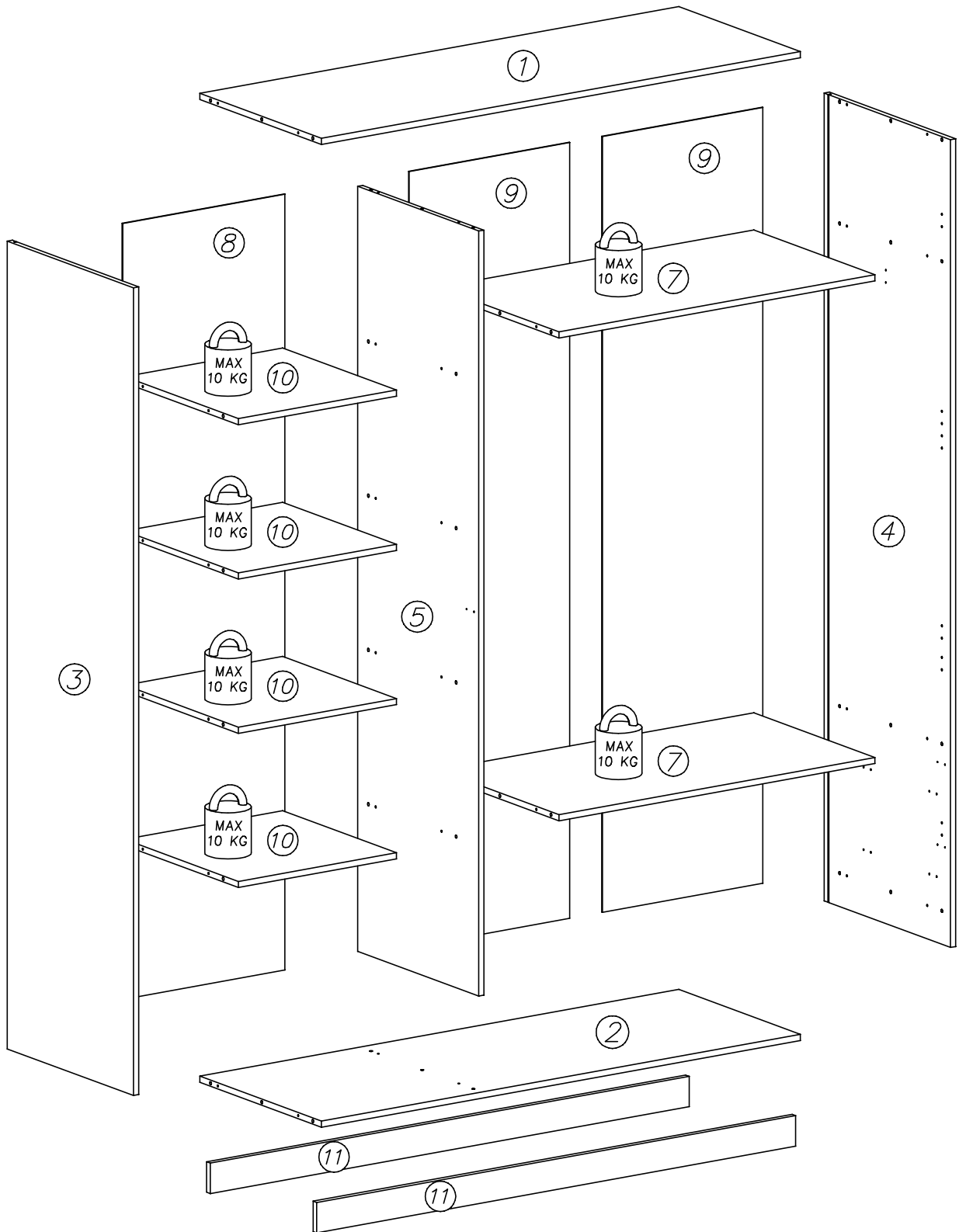
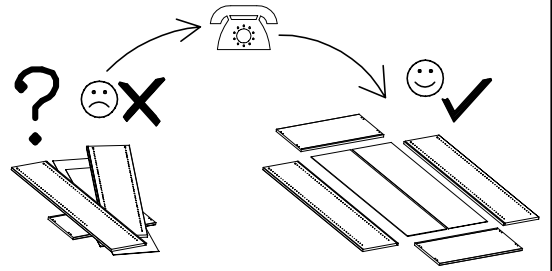
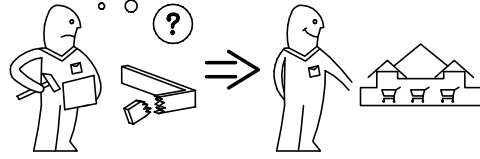
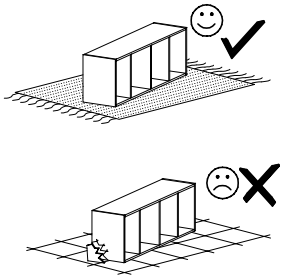
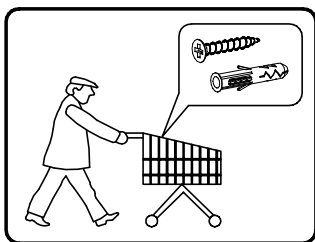
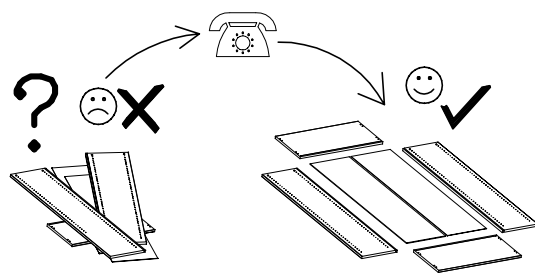
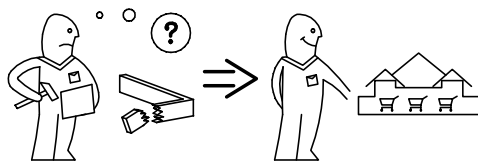
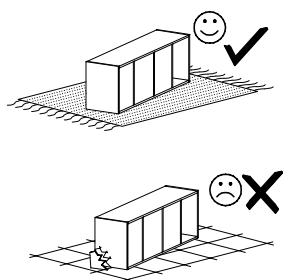


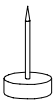
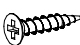
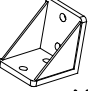
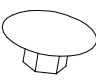
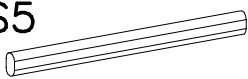


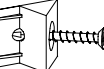

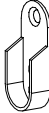
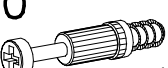

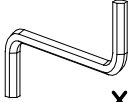
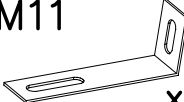
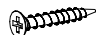
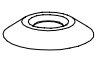
AURORA szafa 3D



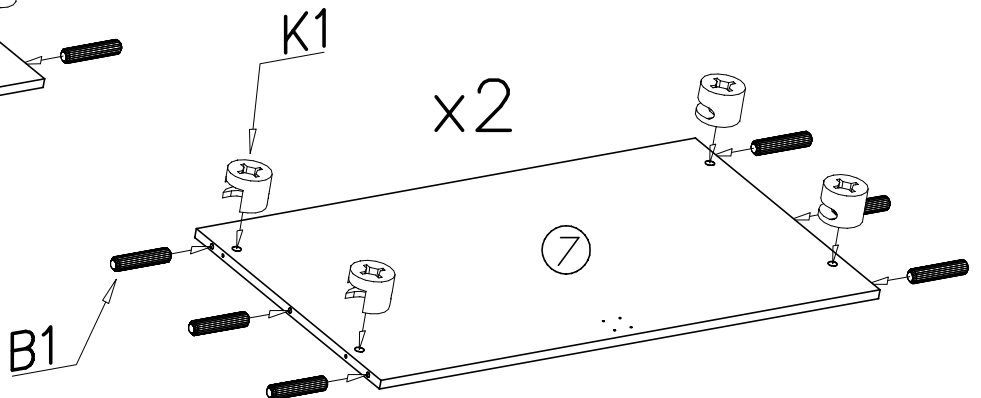
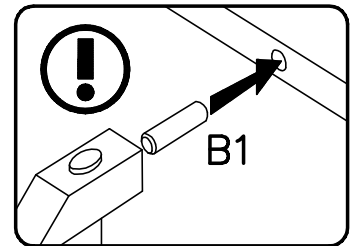
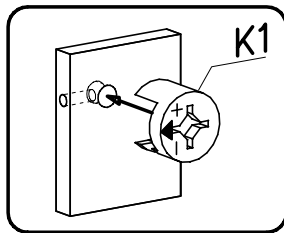
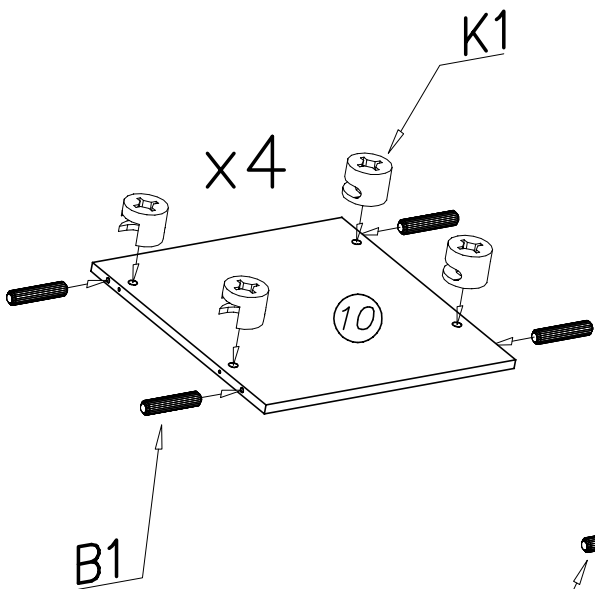
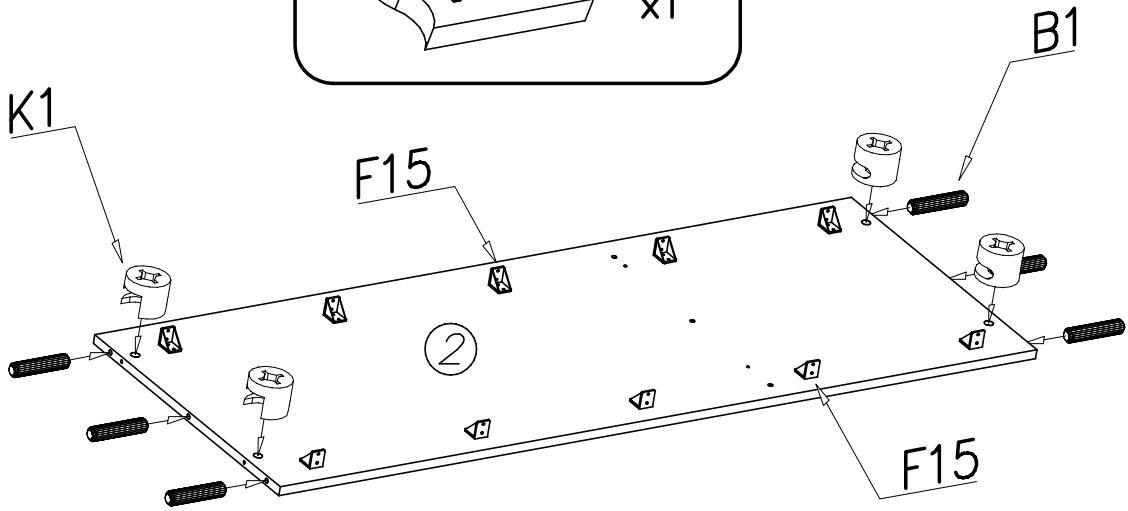
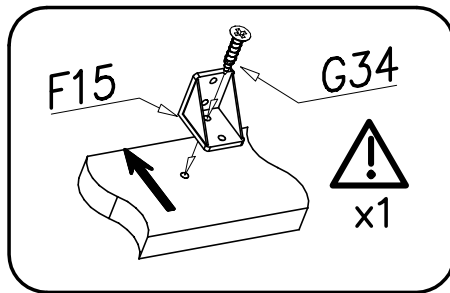
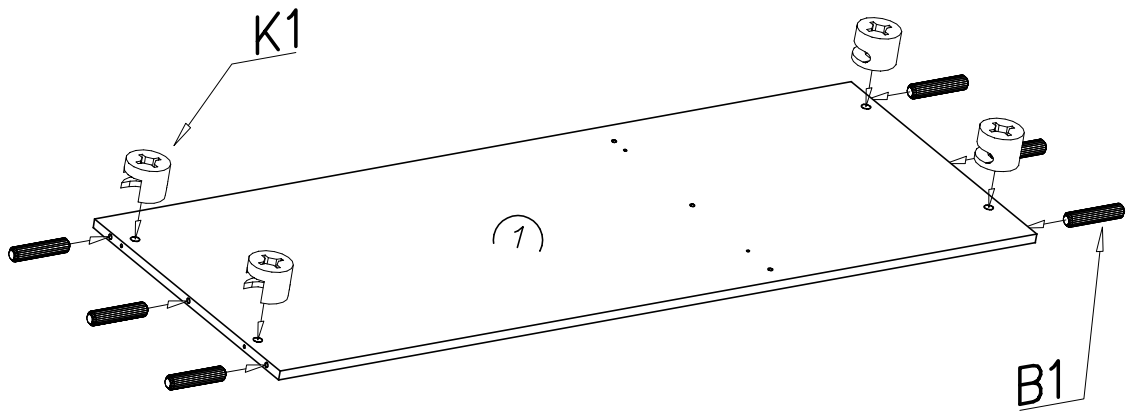
AURORA szafa 3D



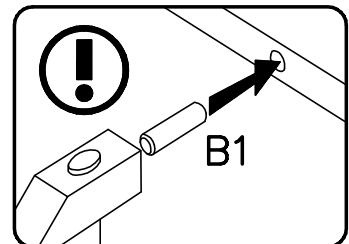
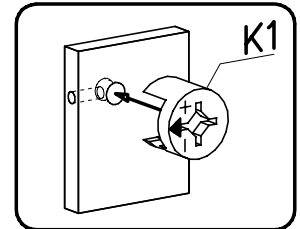
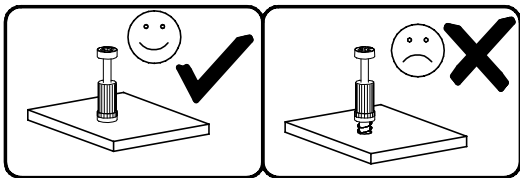
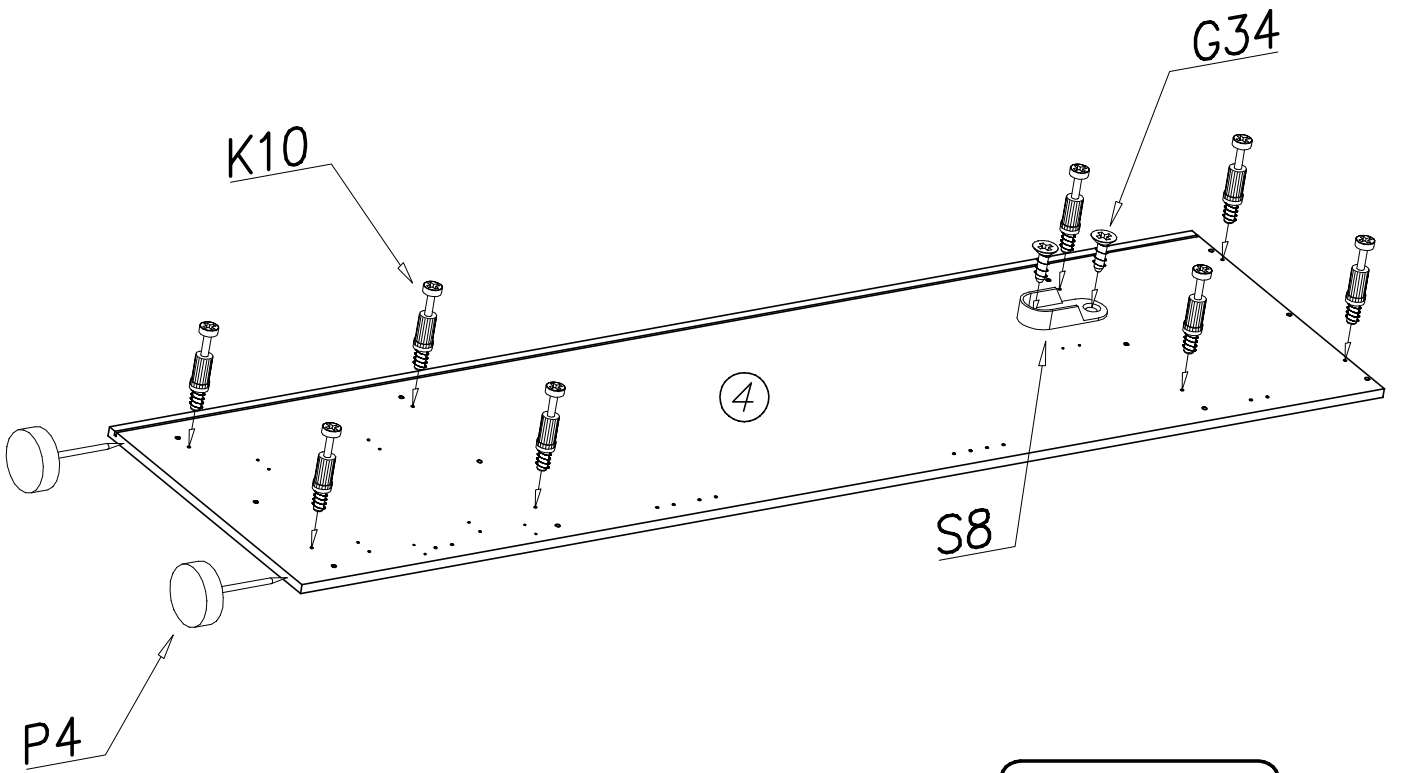
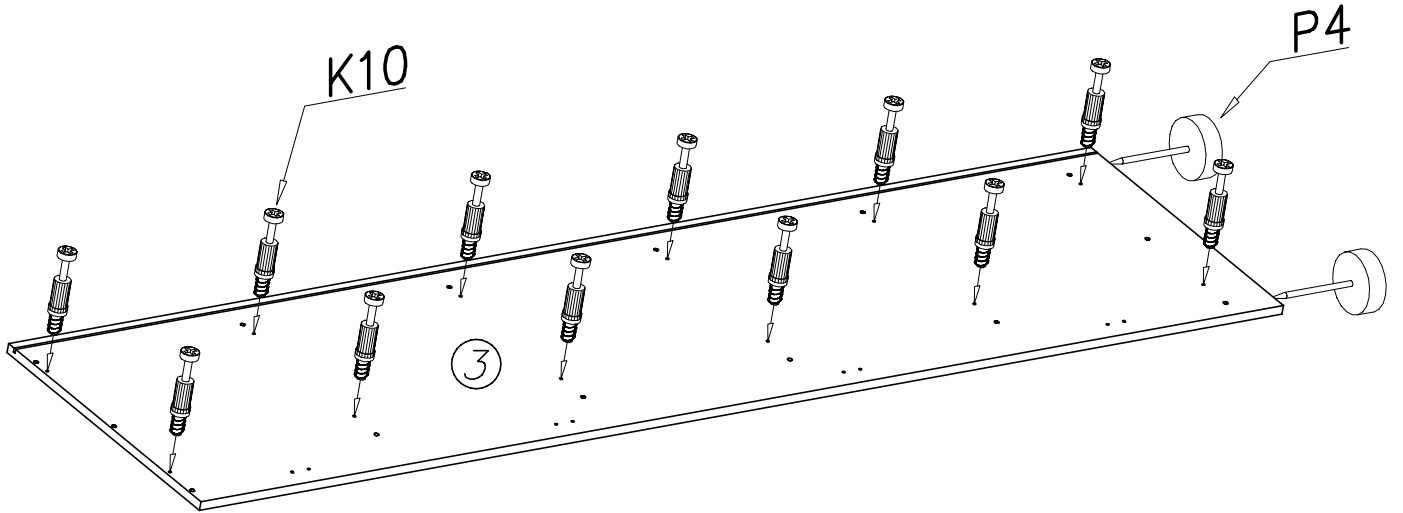


P4  x...(8)	G34  3,5x16 x...(64)	F15  x...(14)	I7  Ø18 x...(32)	S5  960mm x...(1)
K1  Ø15x12 x...(32)	S1  1988mm x...(1)	I1  x...(10)	A1  Ø7x50 x...(4)	S8  x...(2)
K10  x...(32)	B1  Ø8x35 x...(46)	W2  x...(1)	M11  x...(2)	G2  3x20 x...(100)
				S2  x...(18)

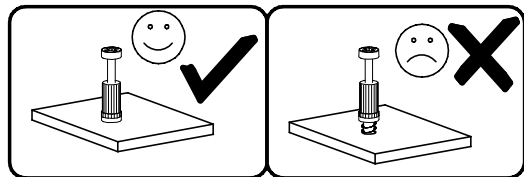
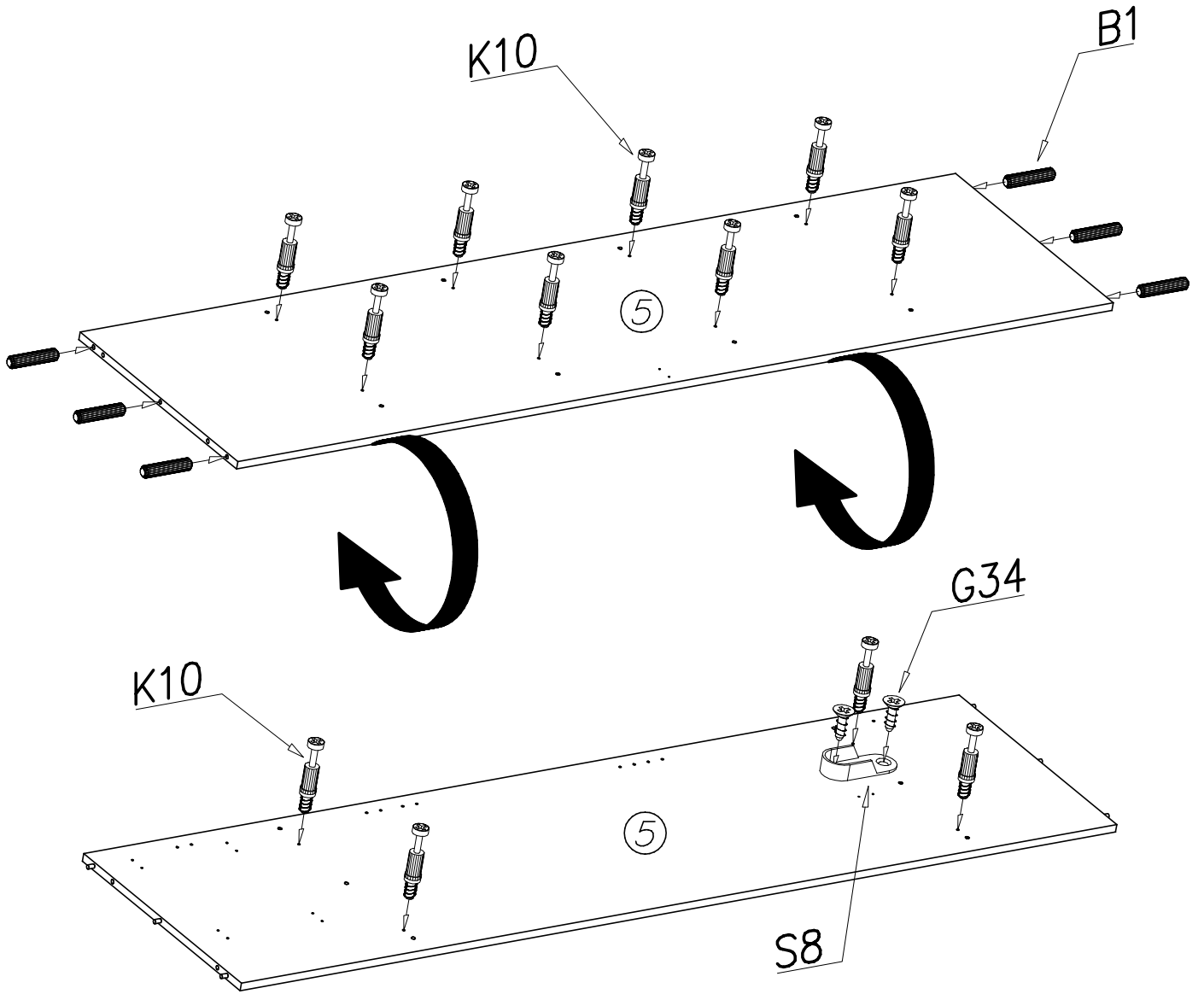
I



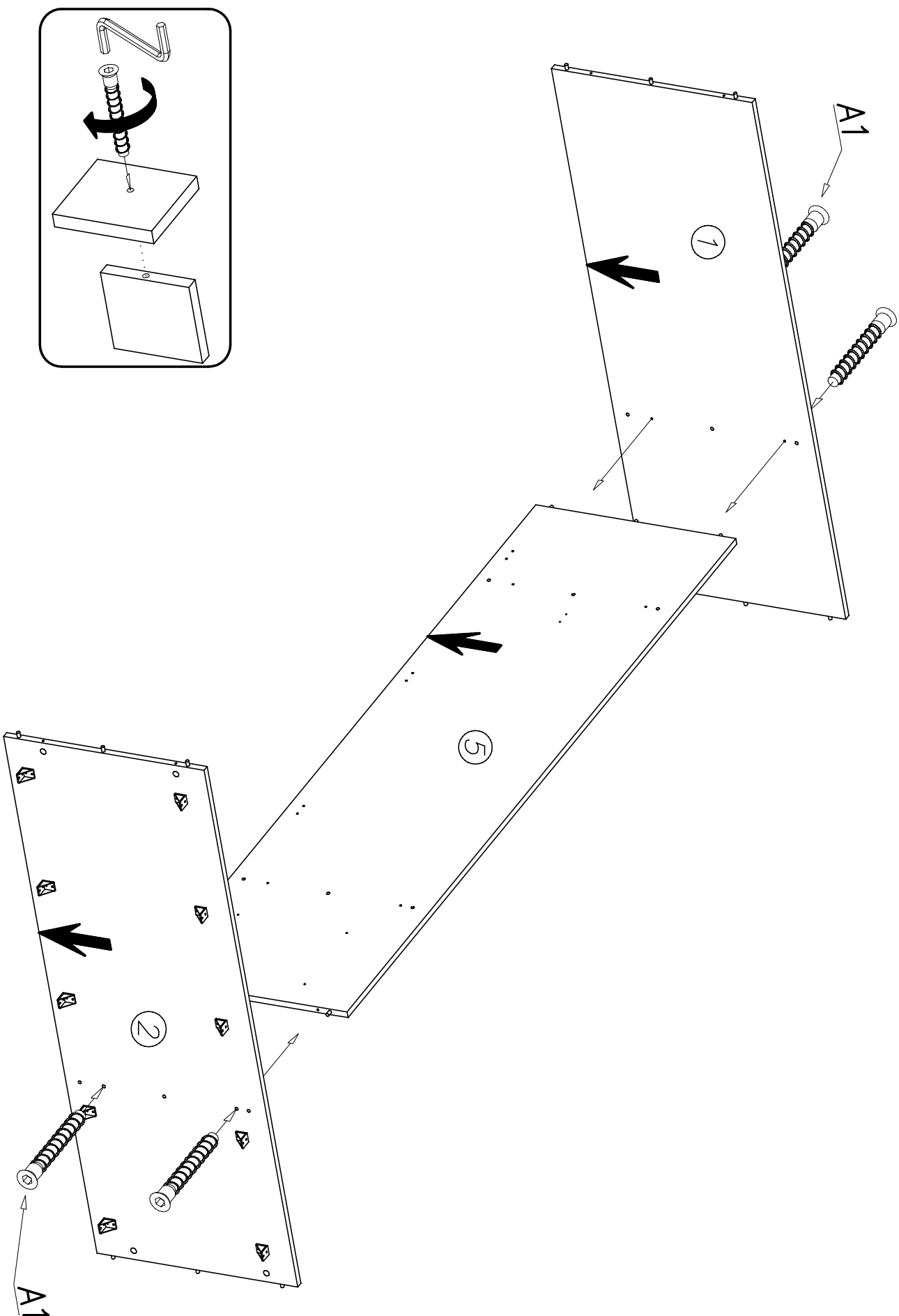
II



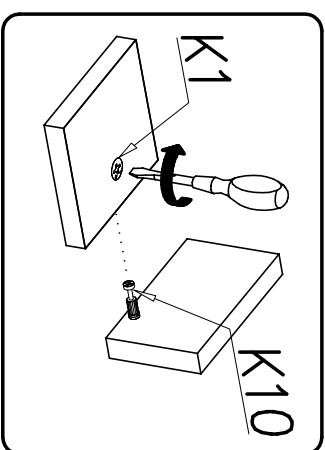
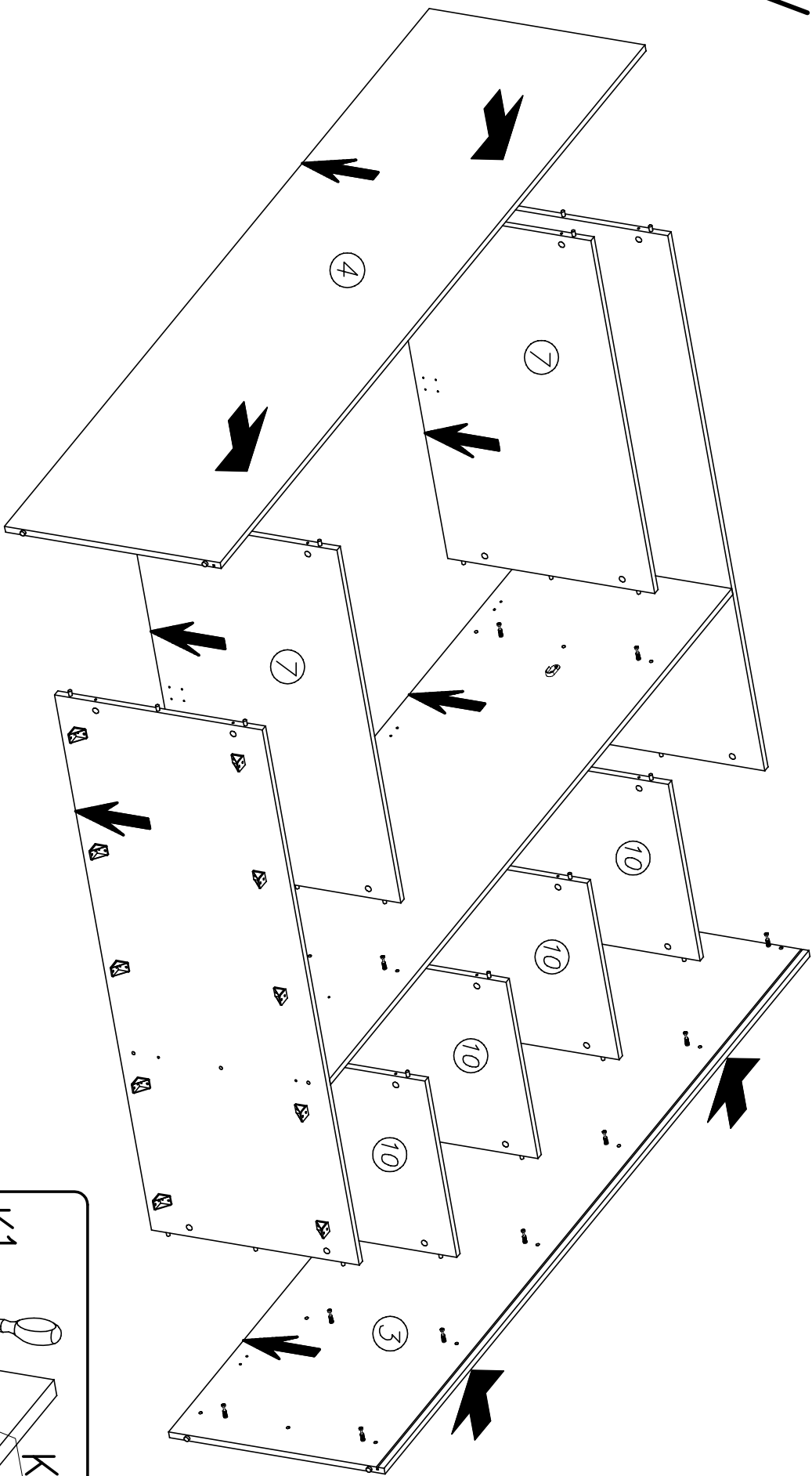
III



IV

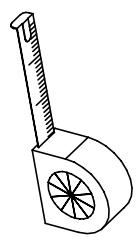
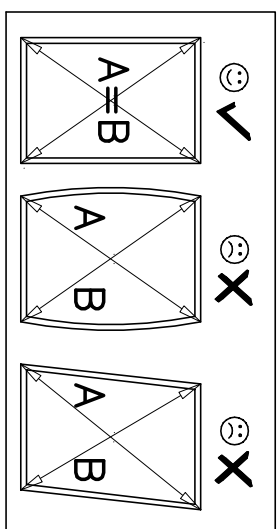
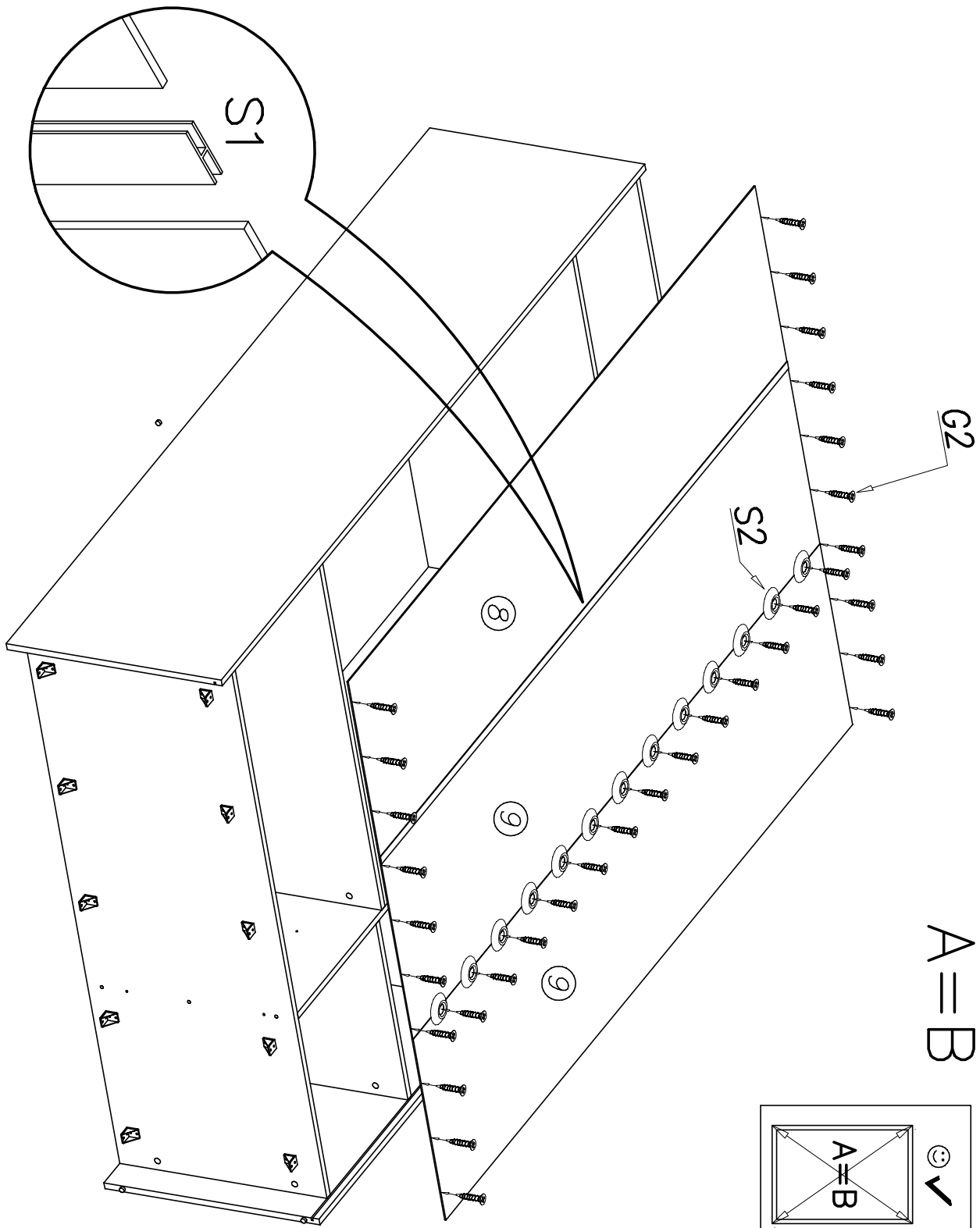


V

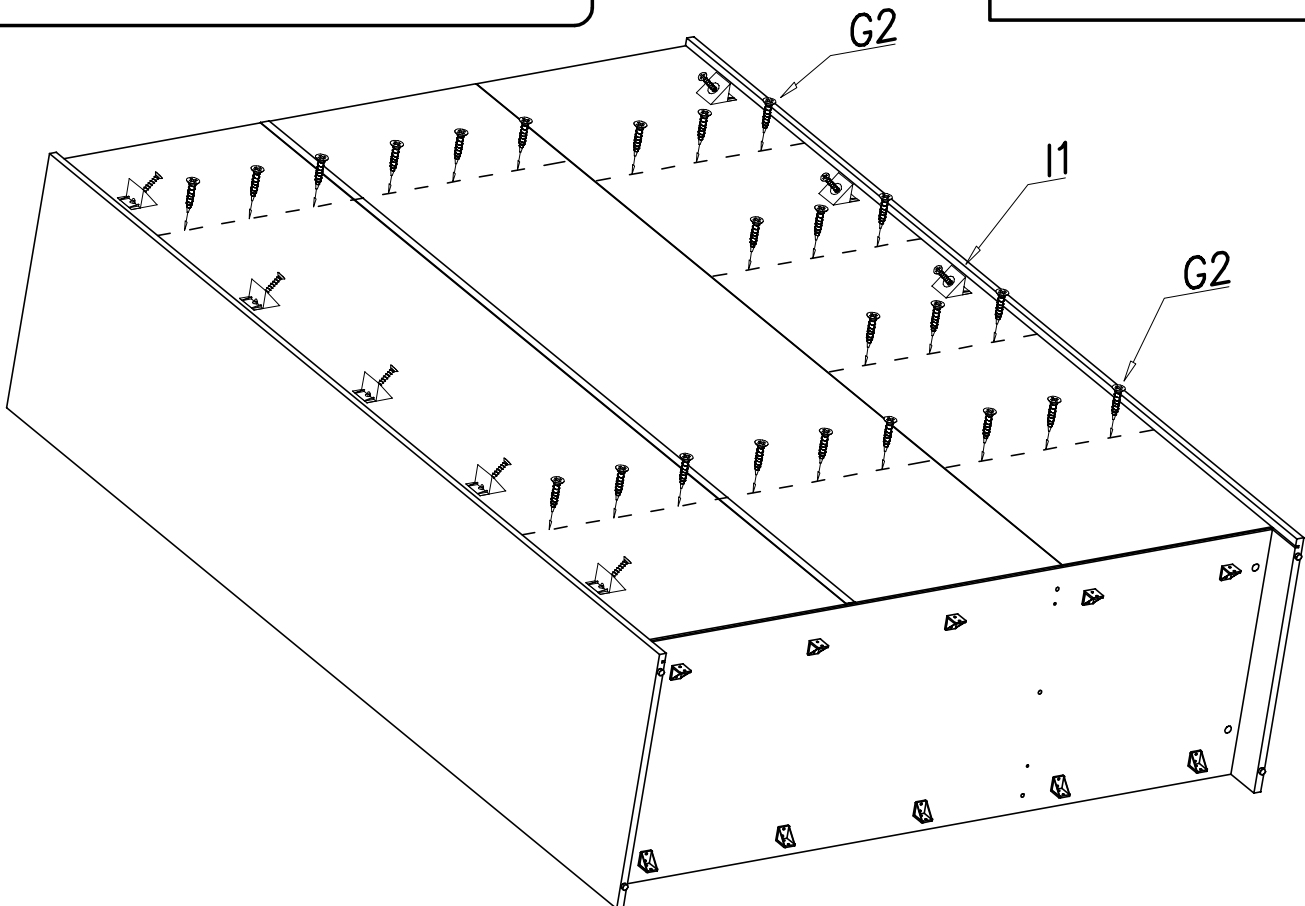
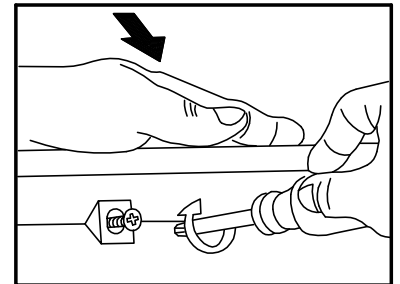
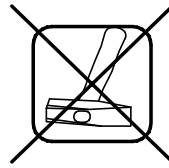
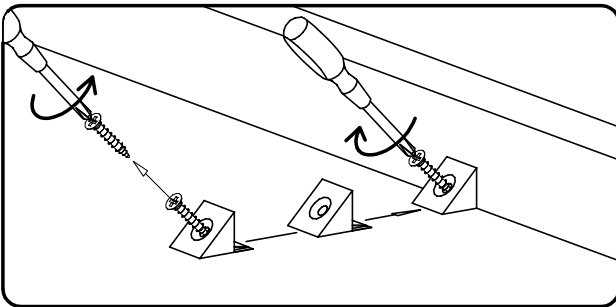
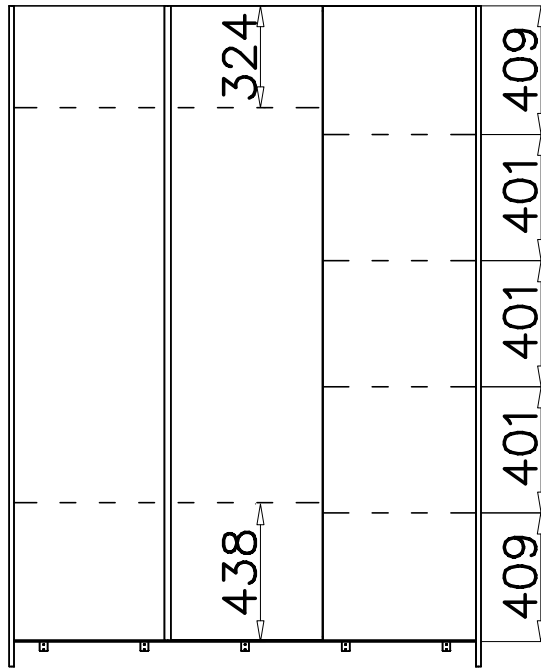


VI

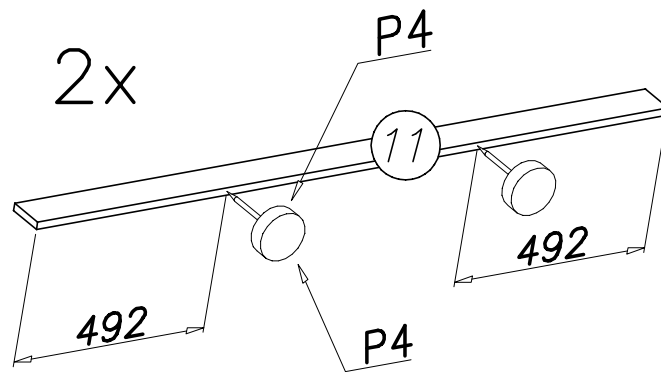
A=B



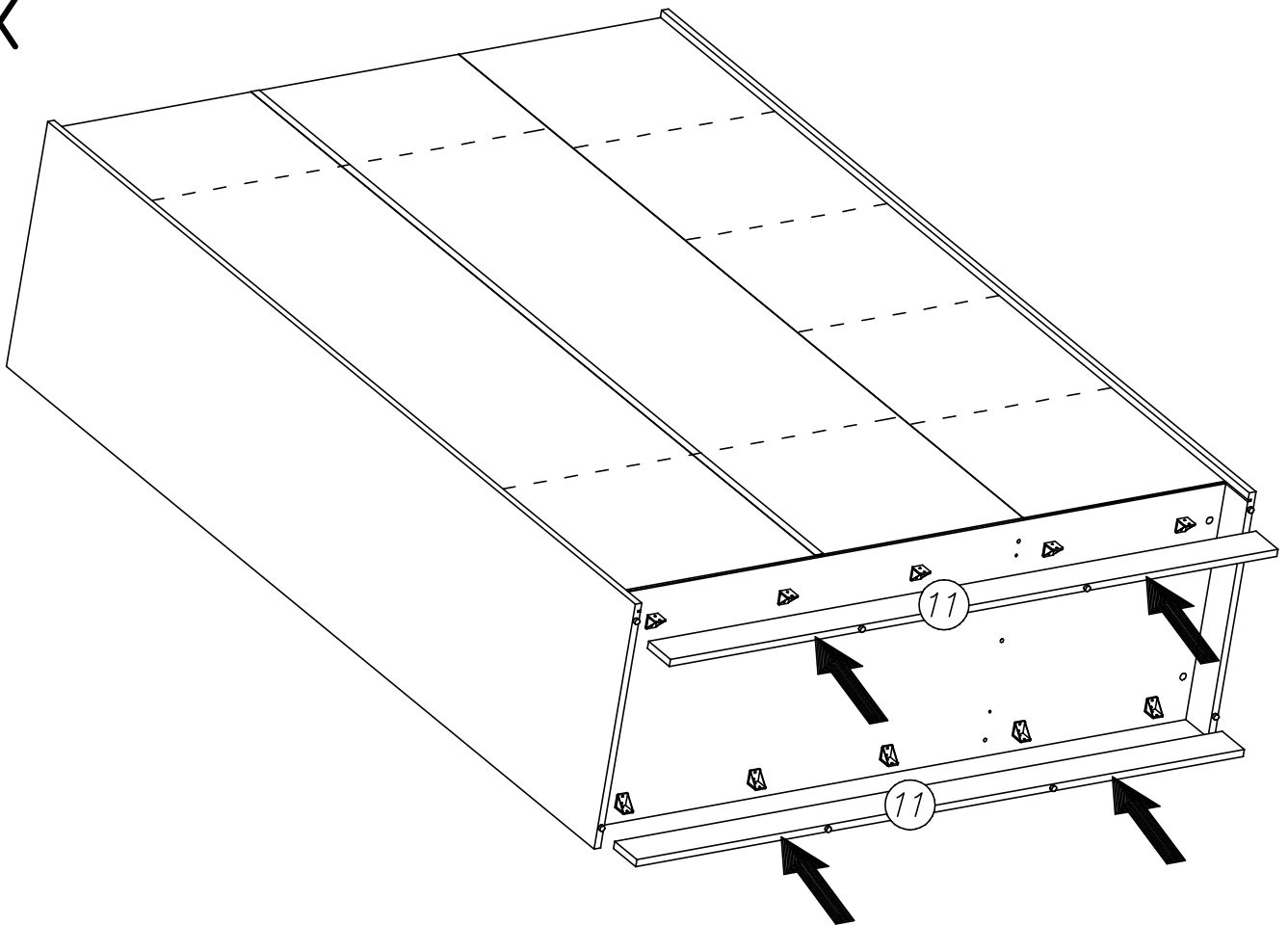
VII



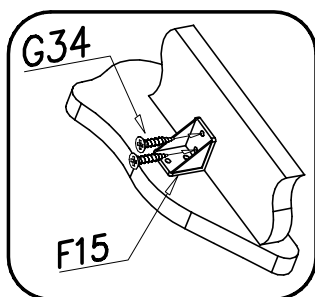
VIII



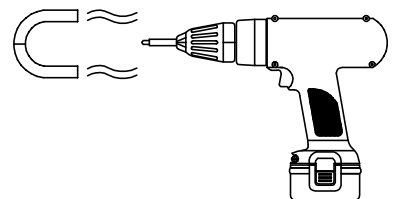
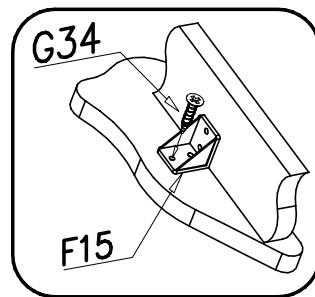
IX



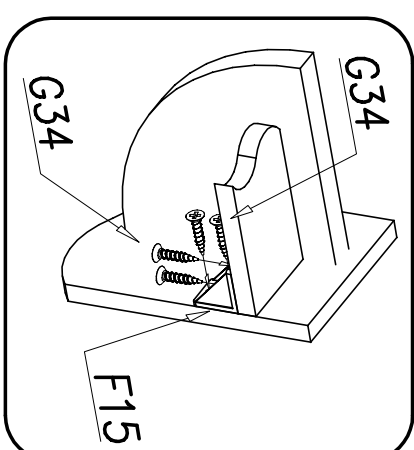
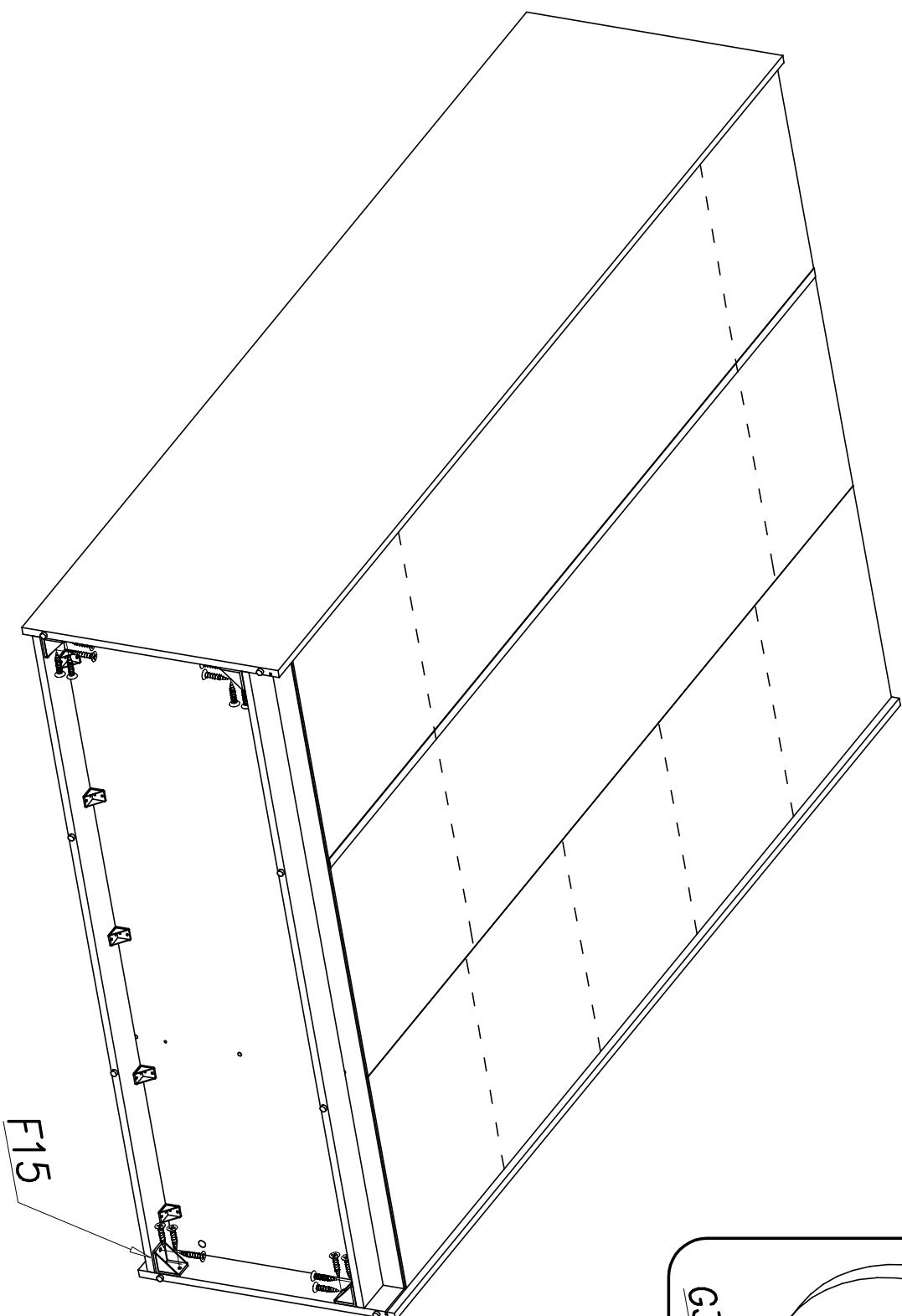
1.

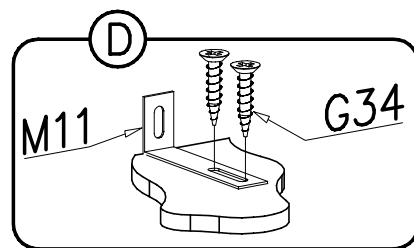
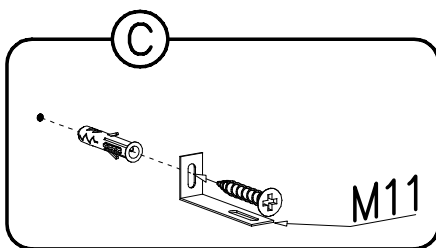
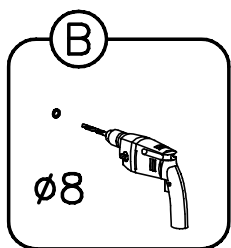
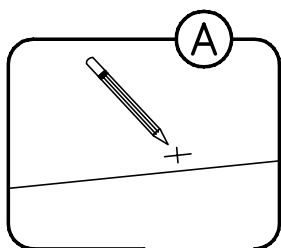


2.

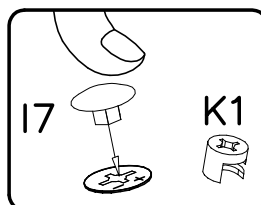
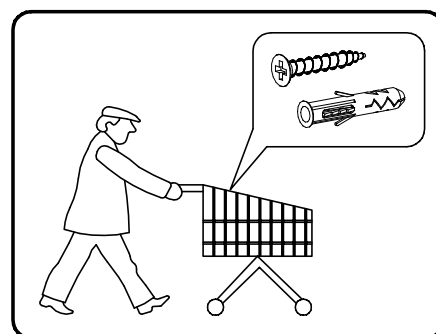
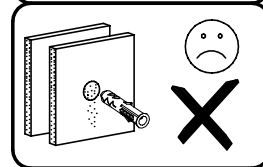
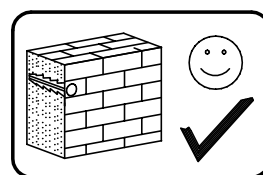
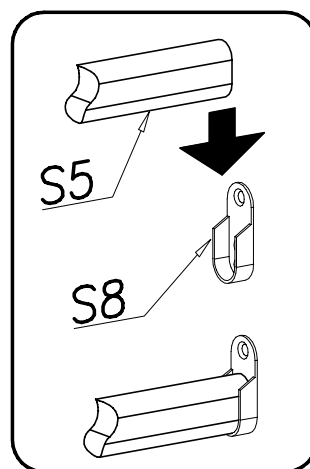
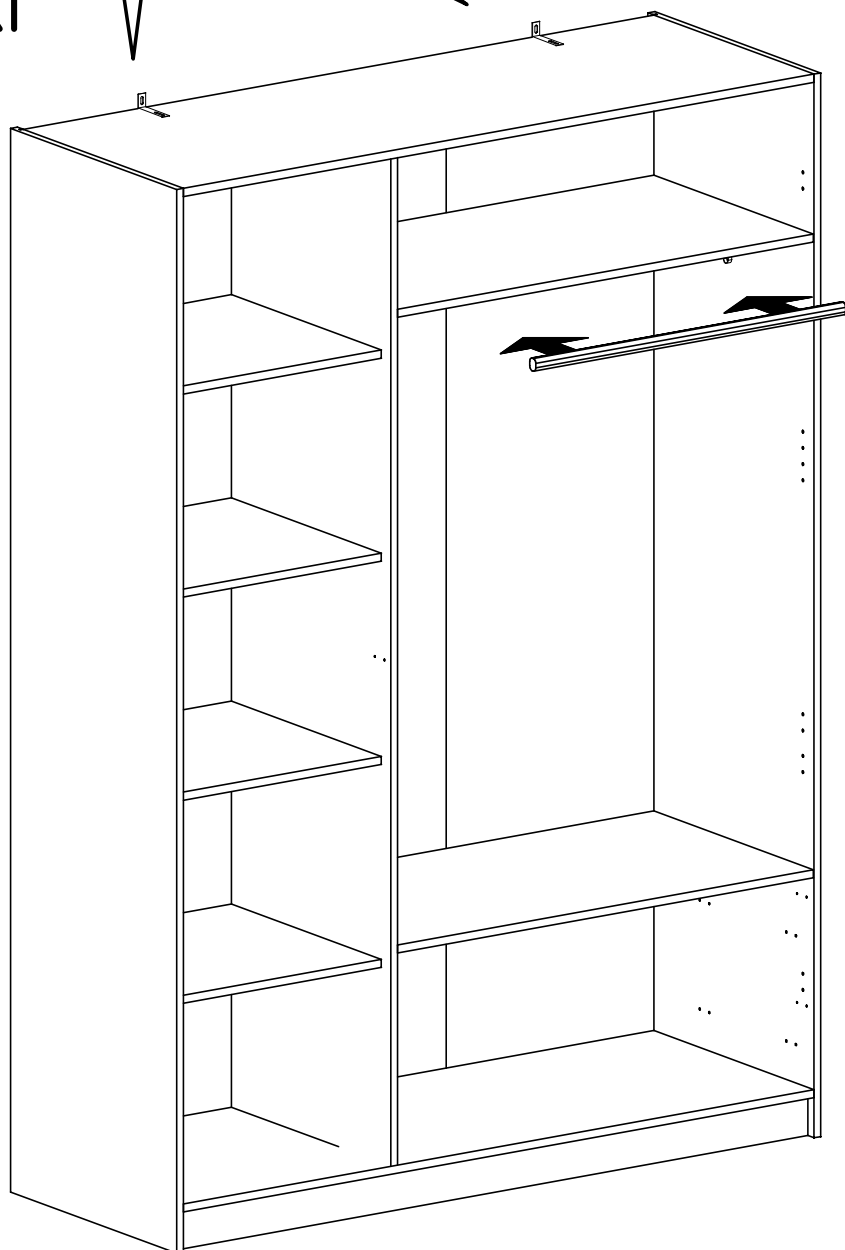


X



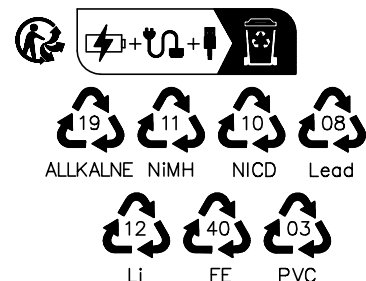
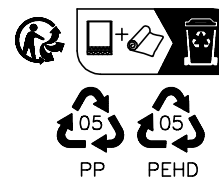
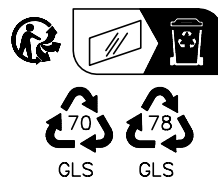
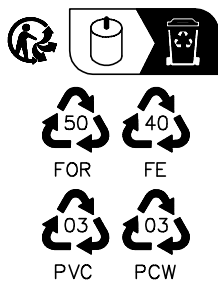
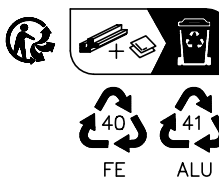
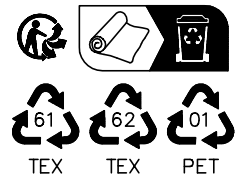
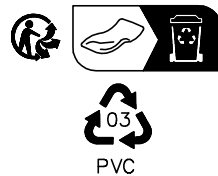
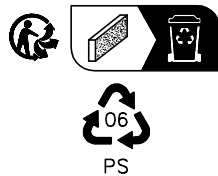
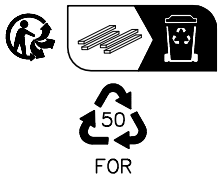
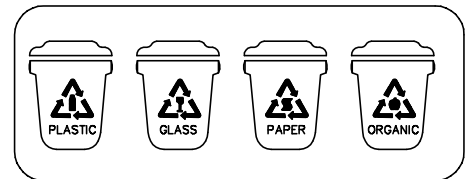
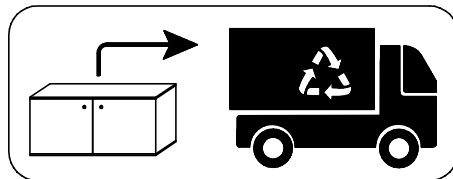
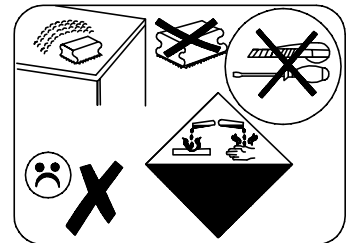
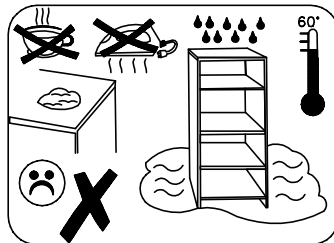
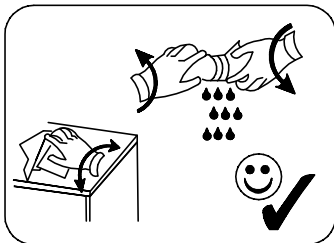
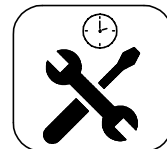
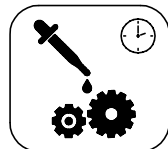
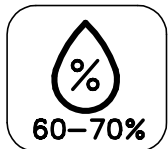
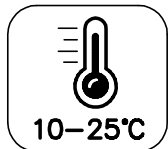
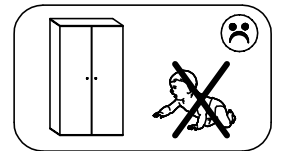
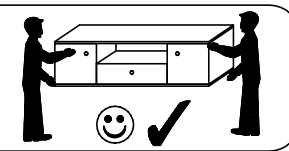
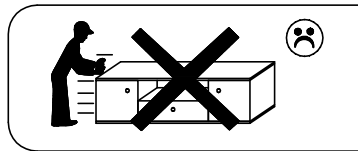
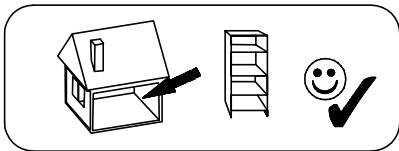
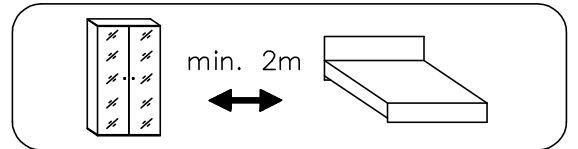
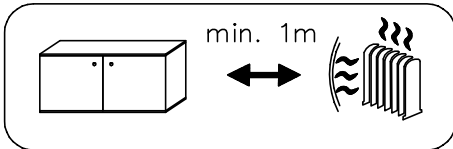
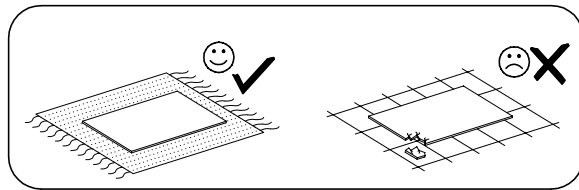
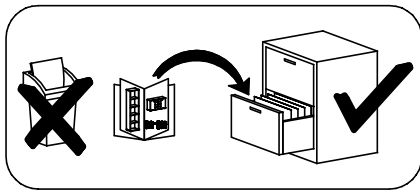


XI

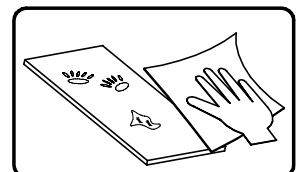
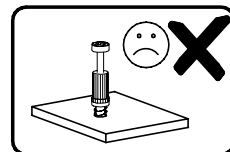
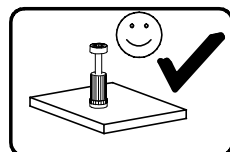
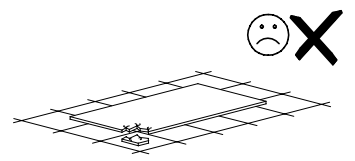
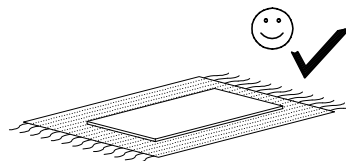
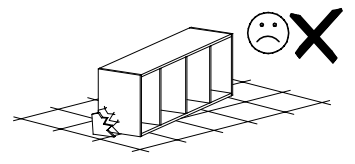
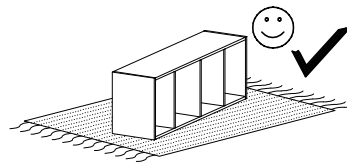
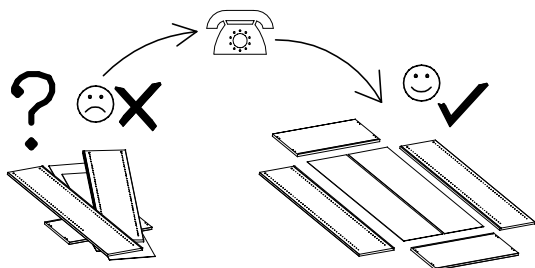
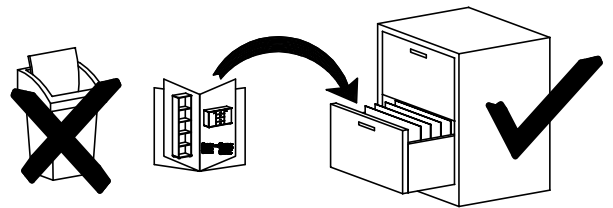
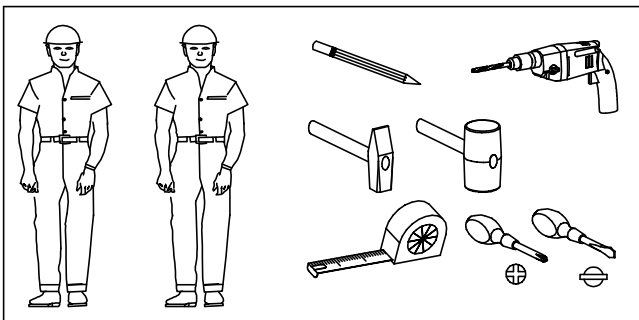
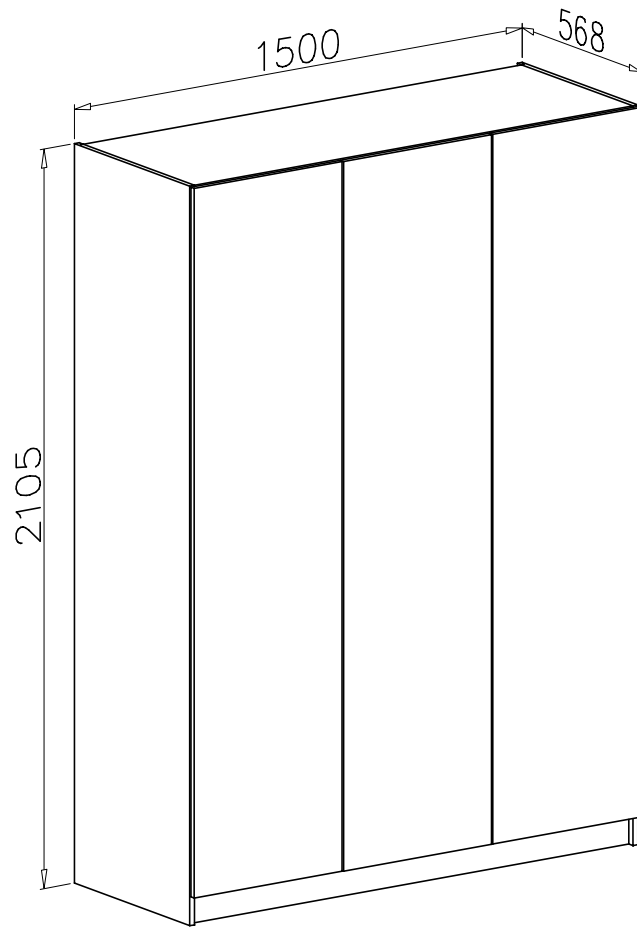


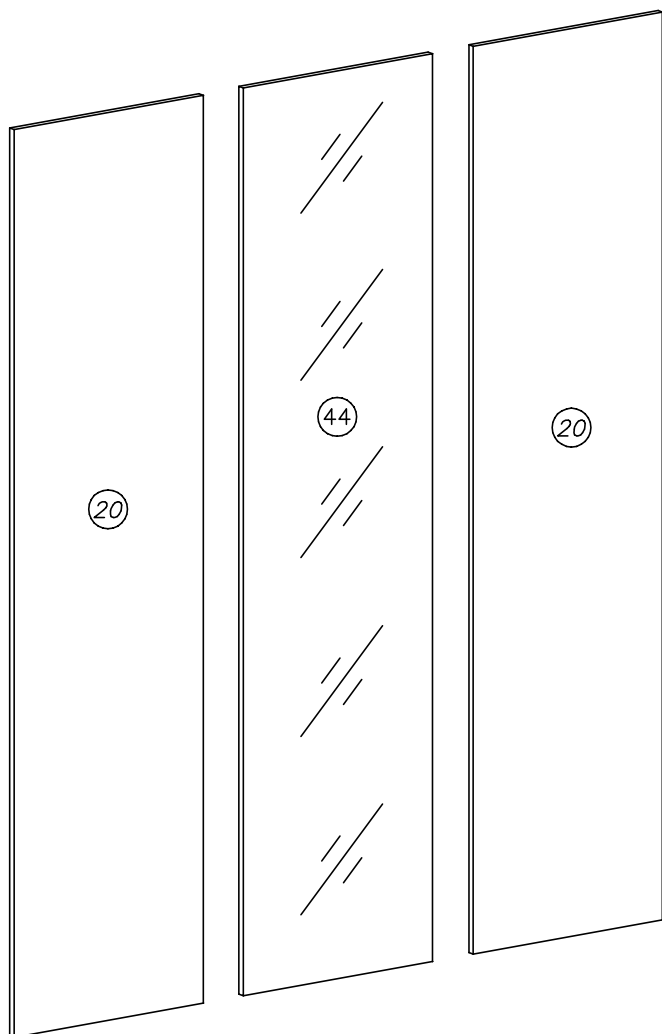
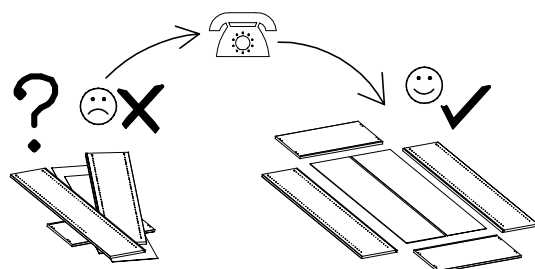
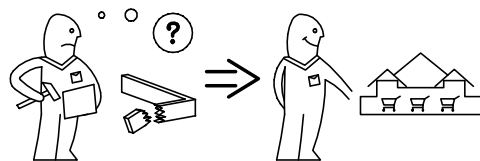
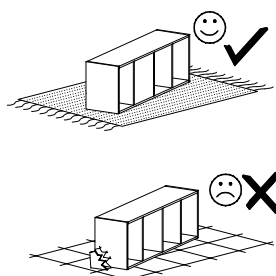


Uwaga • Upozornění • Achtung • Attention • Caution • Figyelem
 Attenzione • Opgelet • Внимание • Atenție • Upozornenie • Dikkat

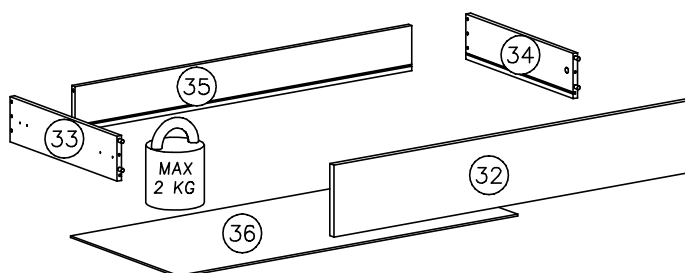


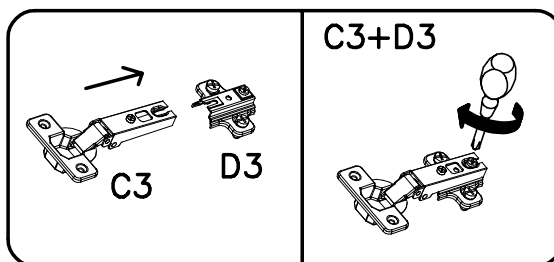
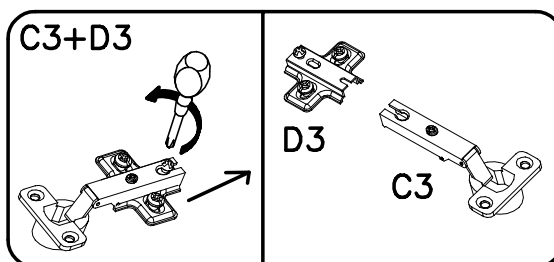
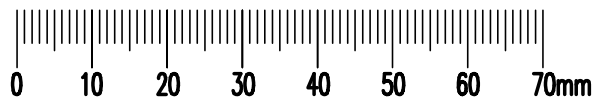
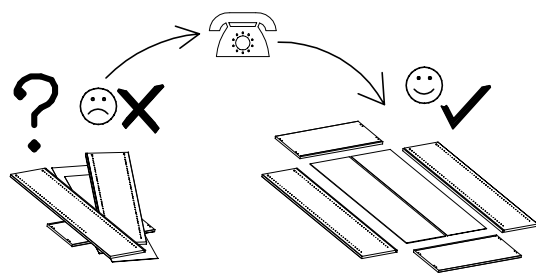
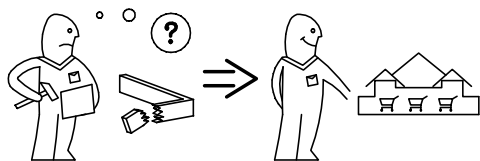
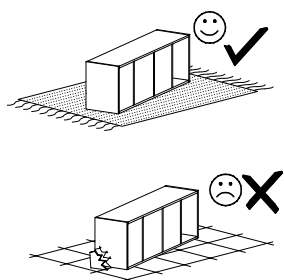
AURORA szafa 3D lustro push





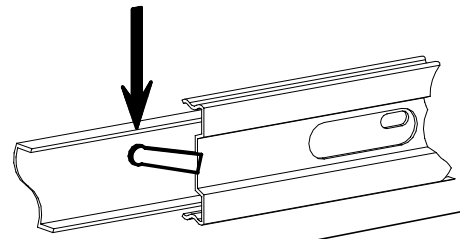
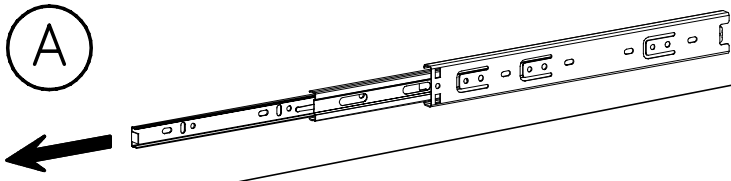
nr	L[mm]	B[mm]	T[mm]	Menge
20	2014	495	16	2
32	932	160	16	2
33	400	100	12	2
34	400	100	12	2
35	882	100	12	2
36	892	401	3	2
44	2014	495	20	1



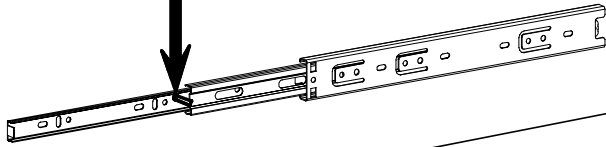


			W2 x...(1)	K4 ø12x10 x...(4)
H24 H35-400mm x...(2)	C3 Z35PR x...(12)	G34 3,5x16 x...(28)	G57 3,5x14 x...(8)	L14 x...(4)
	D3 H=2 PZ35PR x...(12)	I27 18mm x...(8)	M8 400mm x...(2)	
K10 x...(4)	W1 x...(1)	G58 6x32 x...(8)	G20 5x11 x...(8)	A6 ø7x40 x...(8)

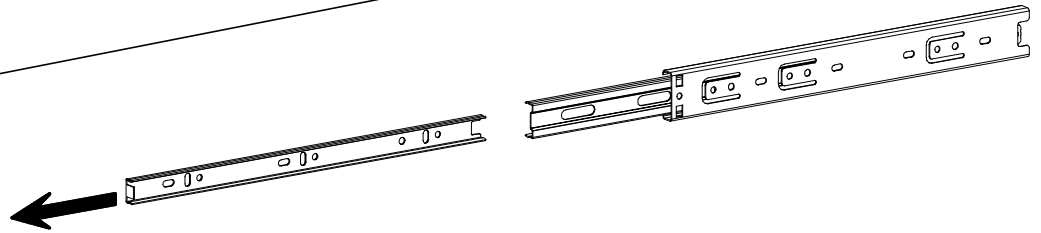
A



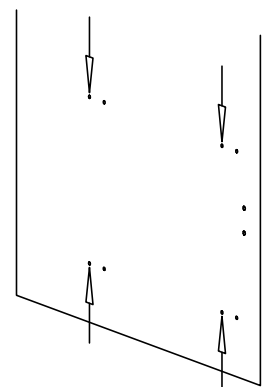
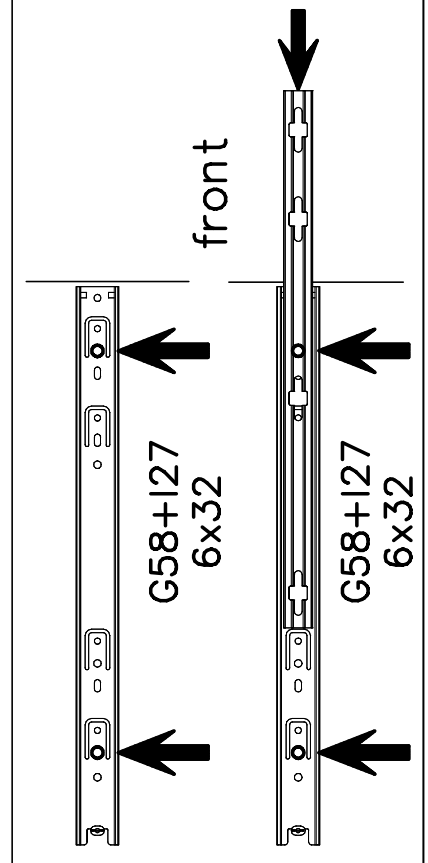
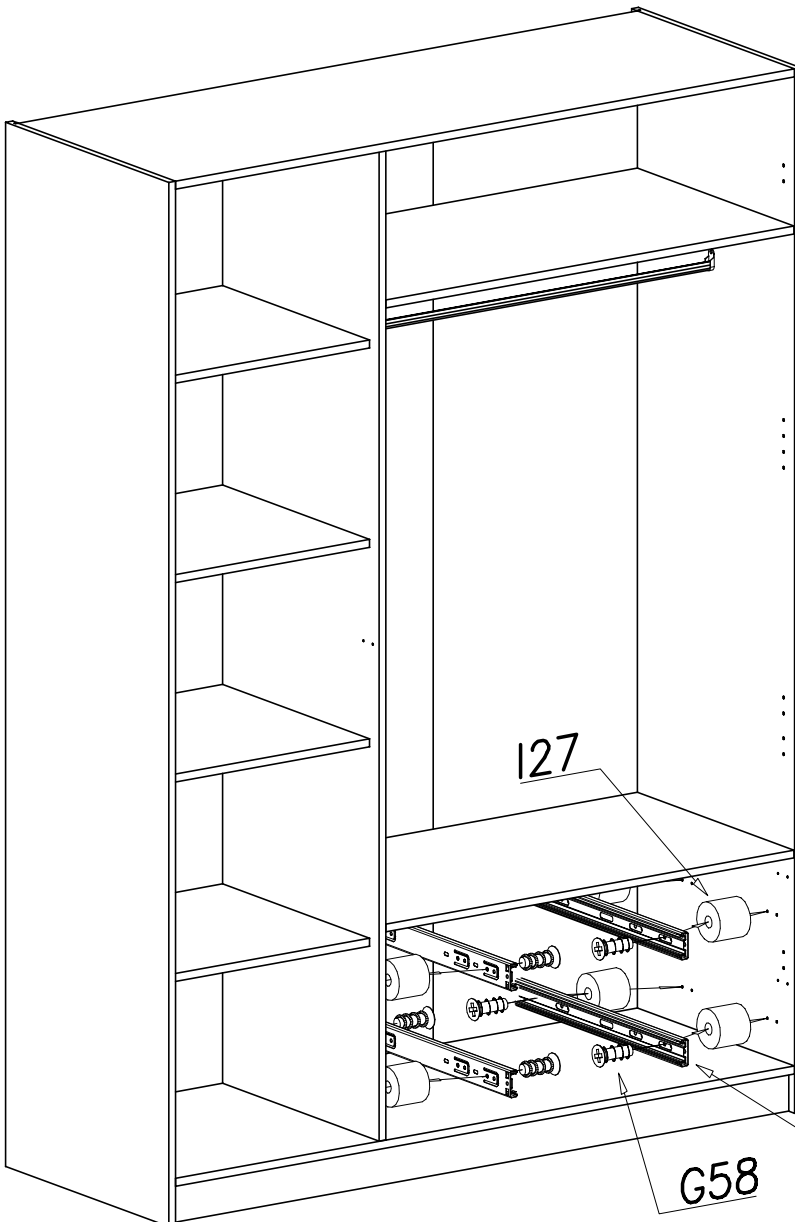
B



C



I



H24

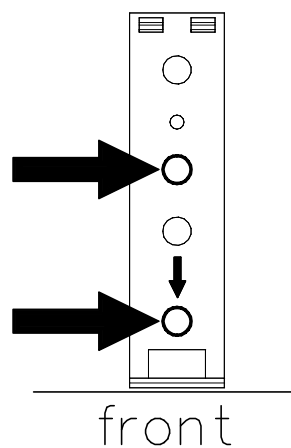
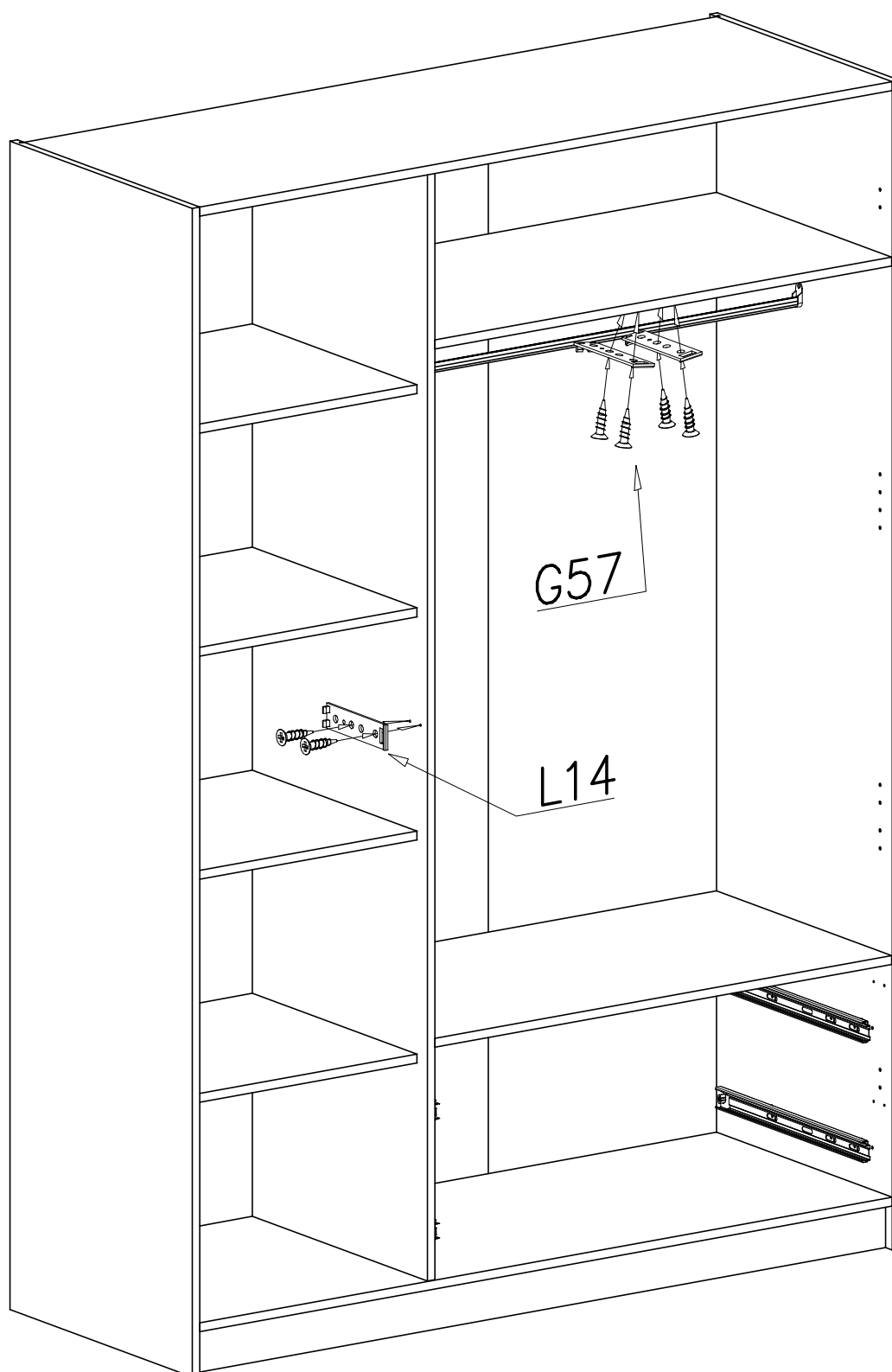
G58

127

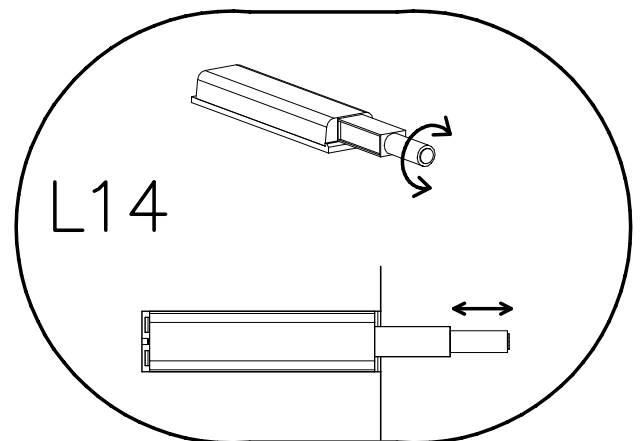
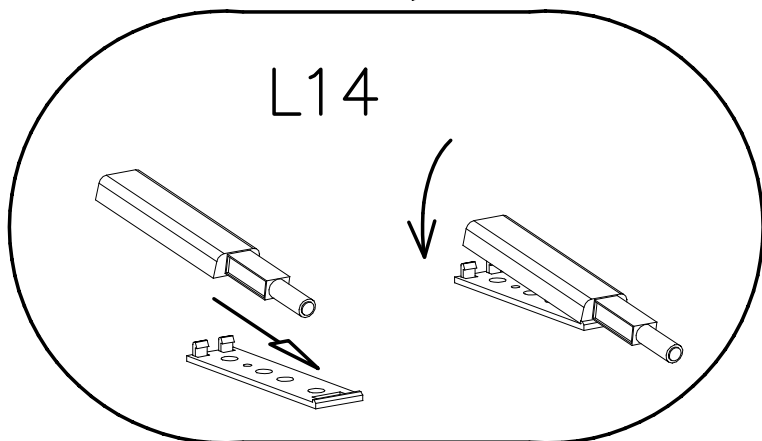
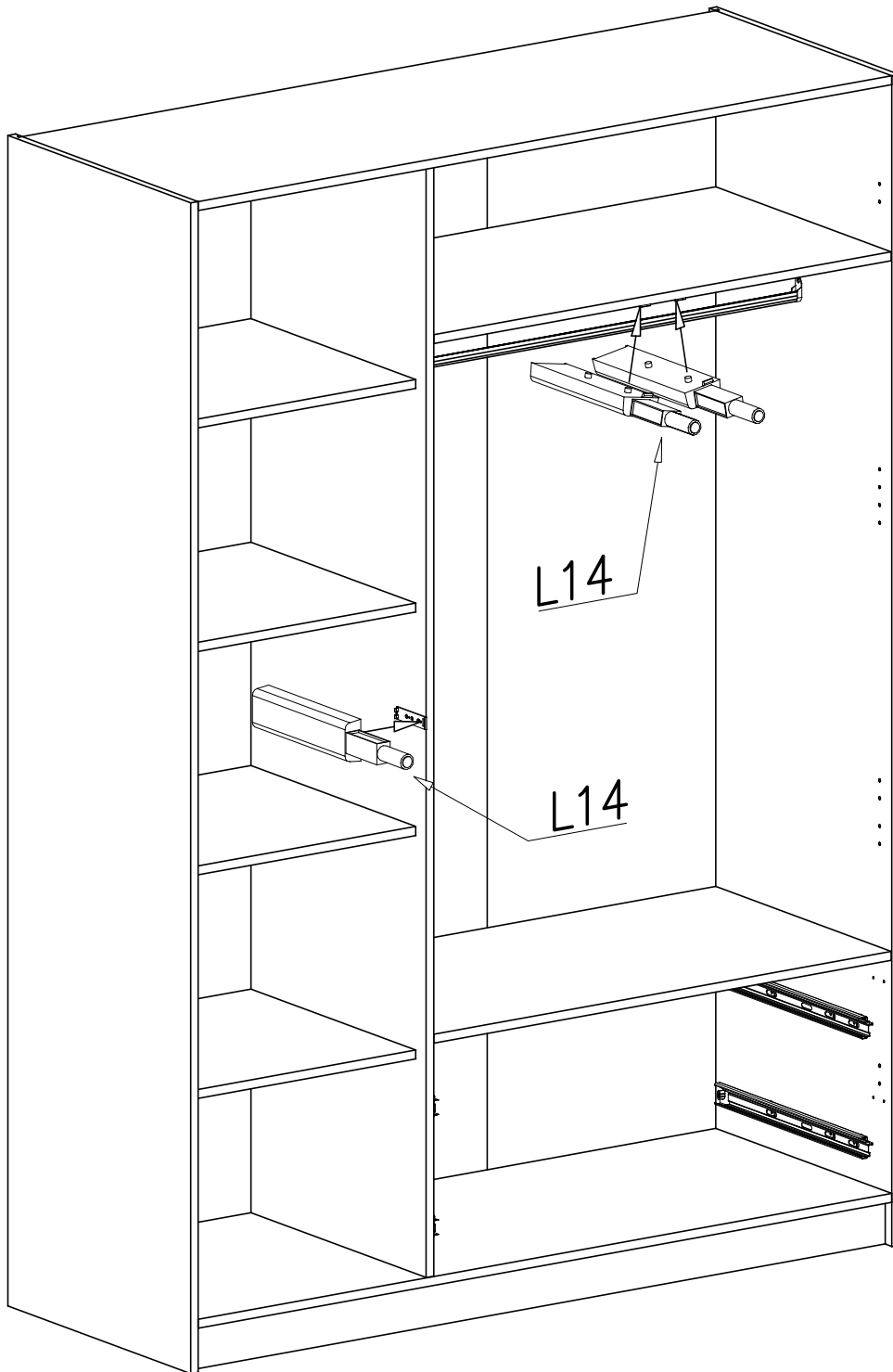
G58+127
6x32

G58+127
6x32

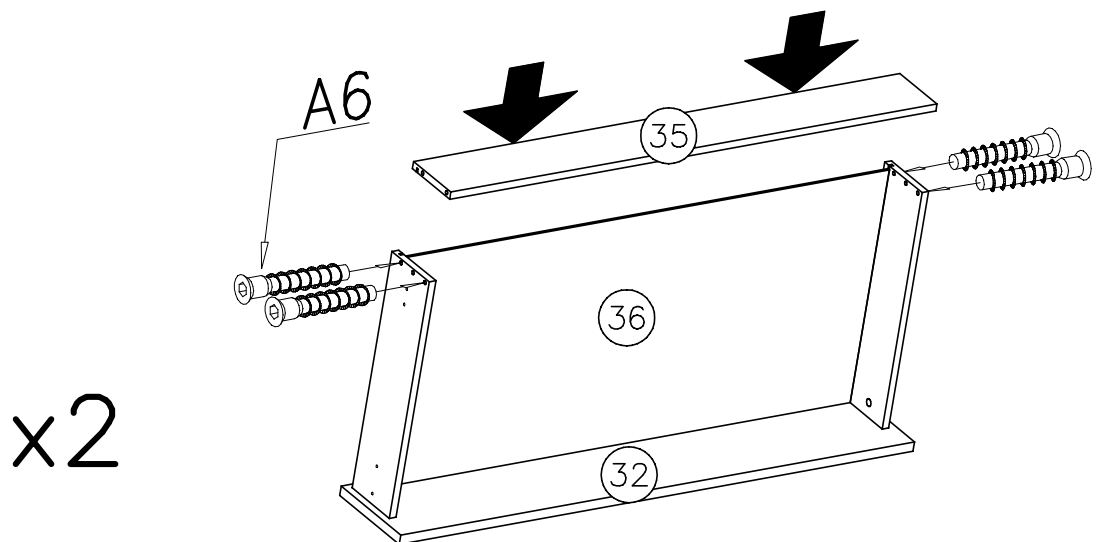
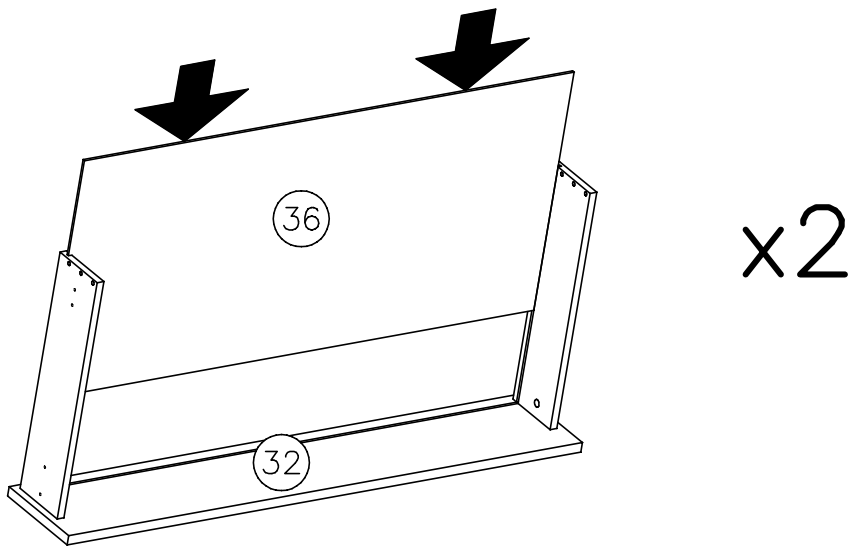
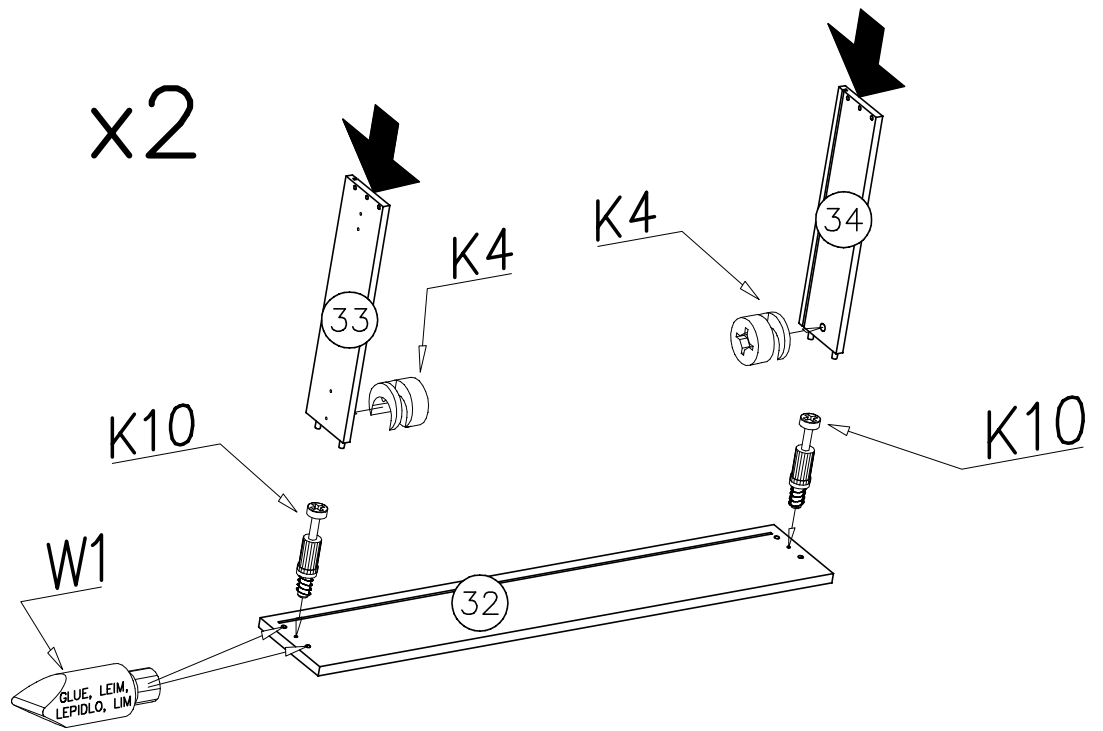
II



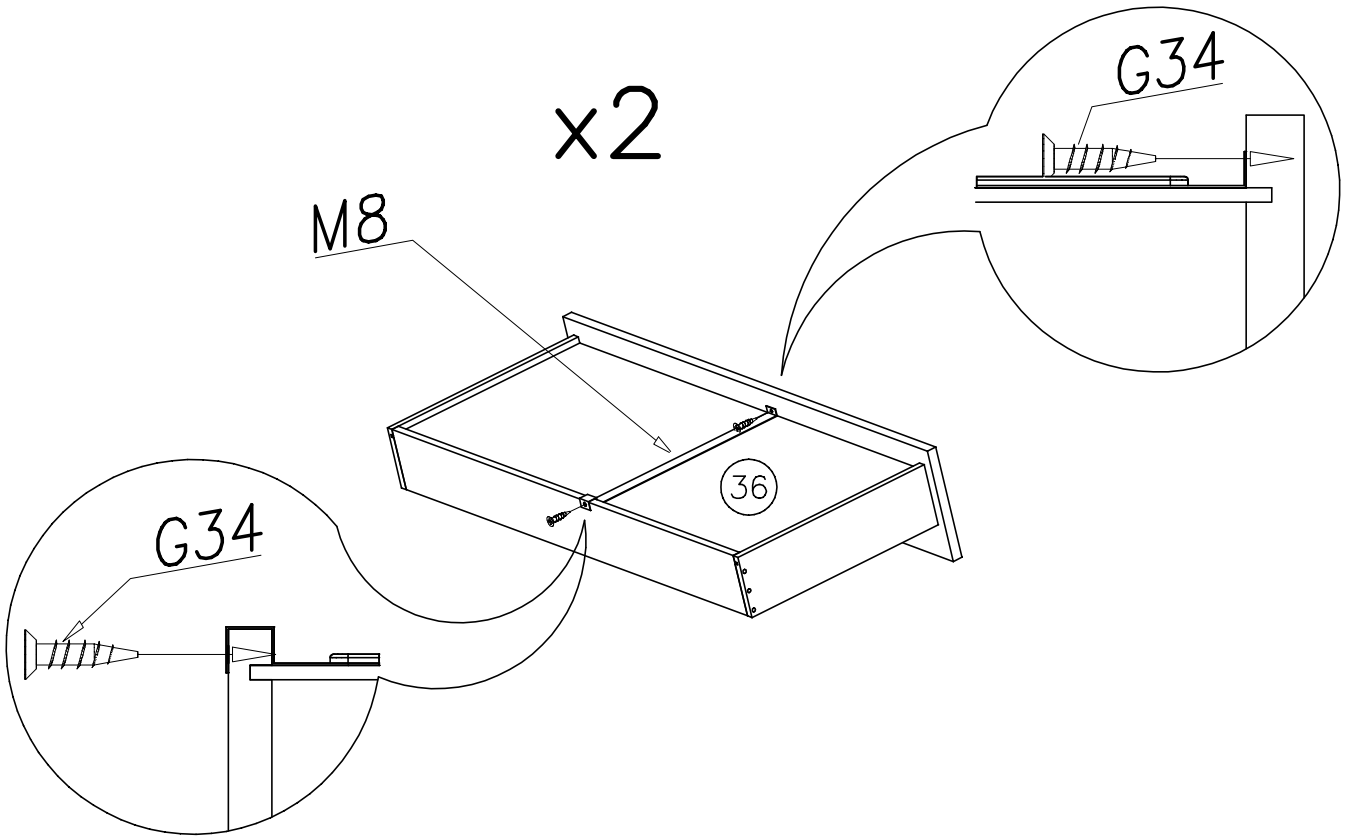
III



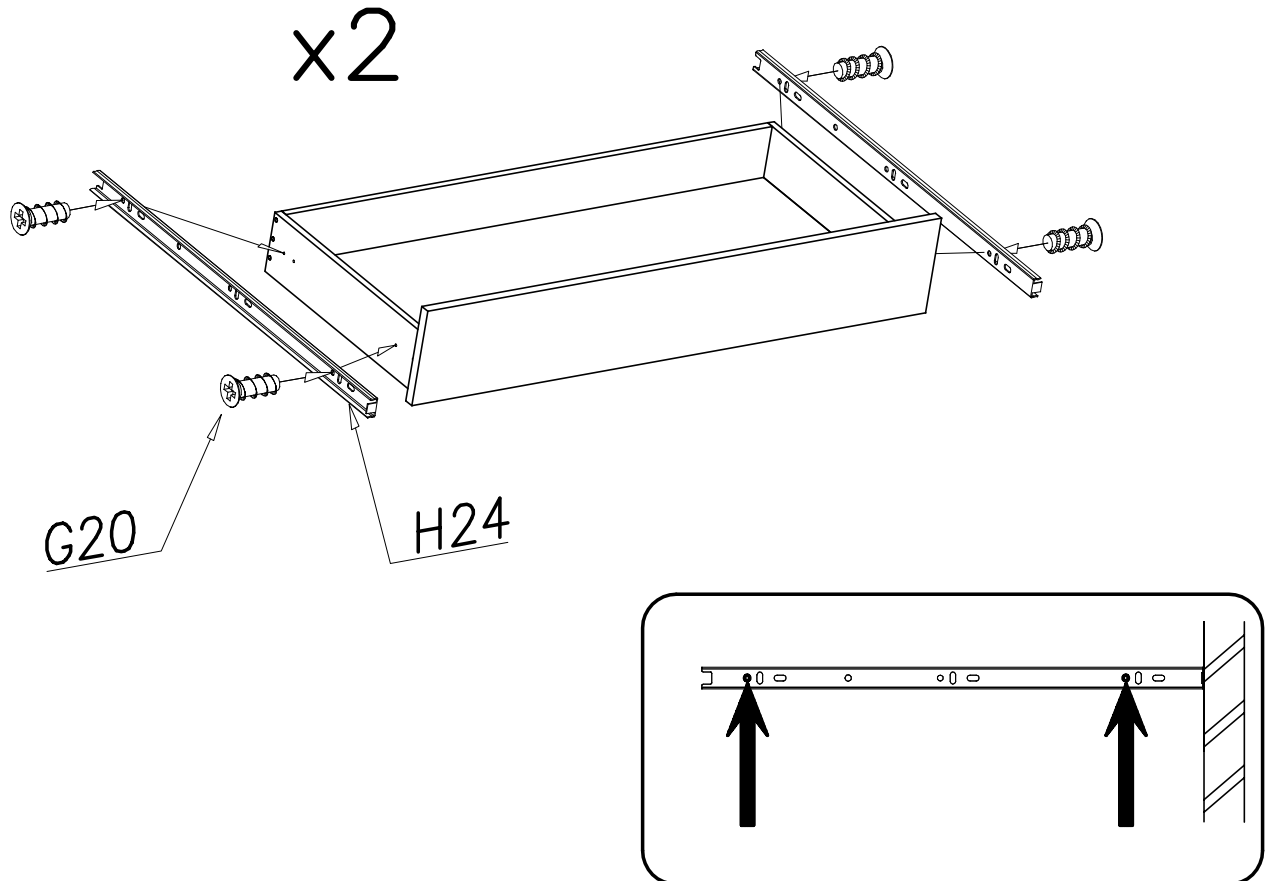
IV



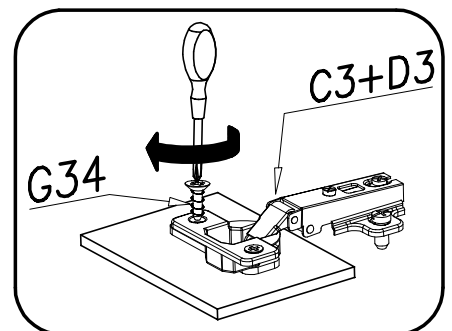
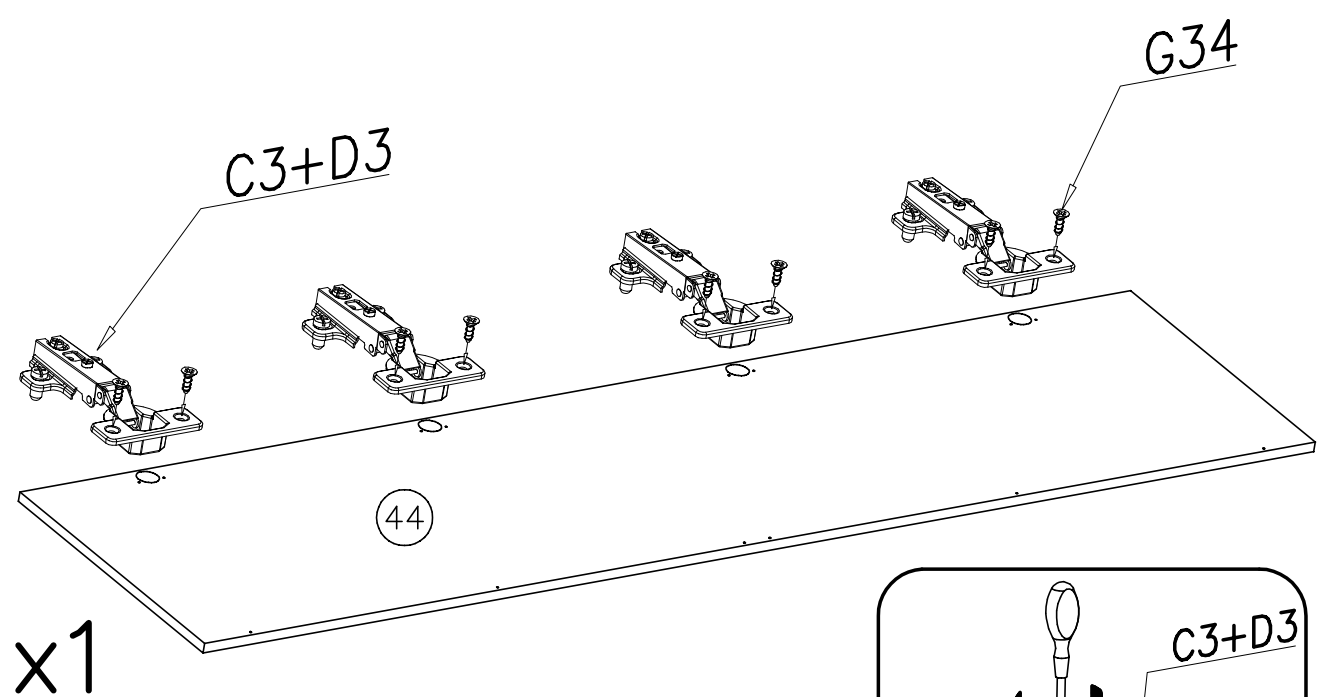
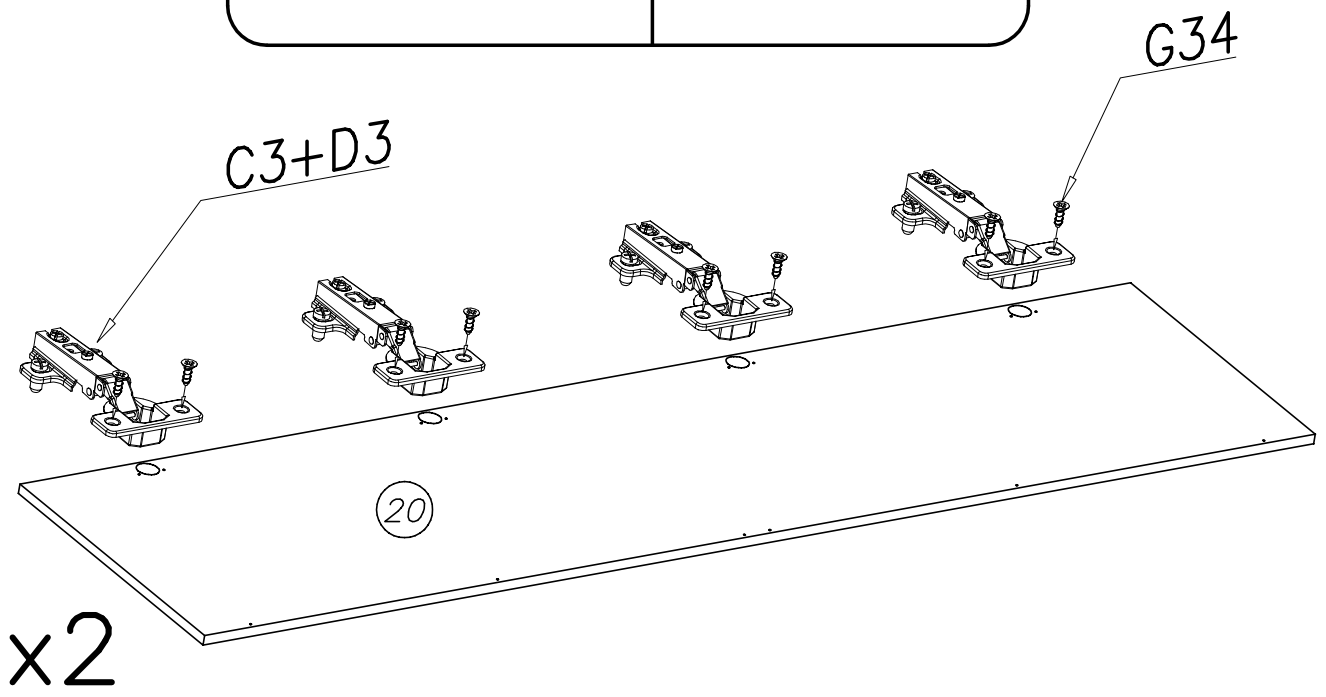
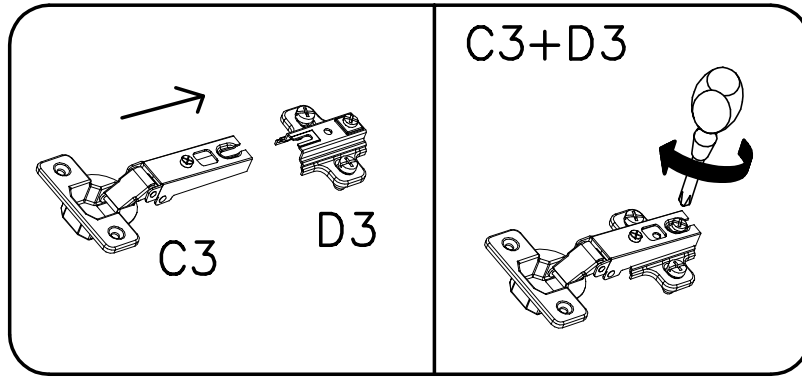
V



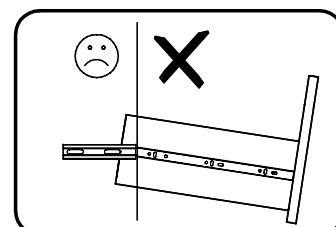
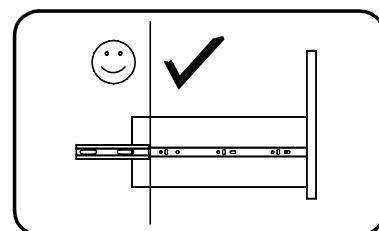
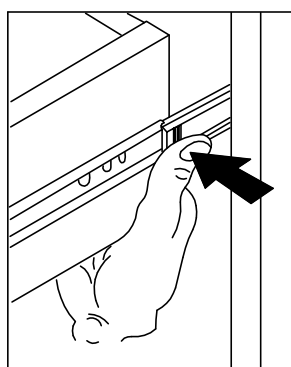
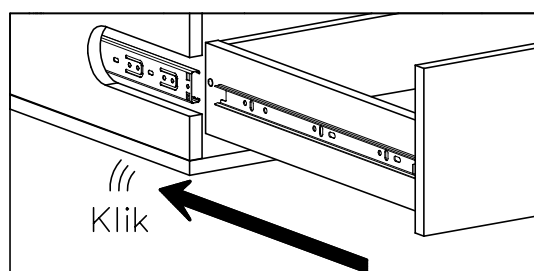
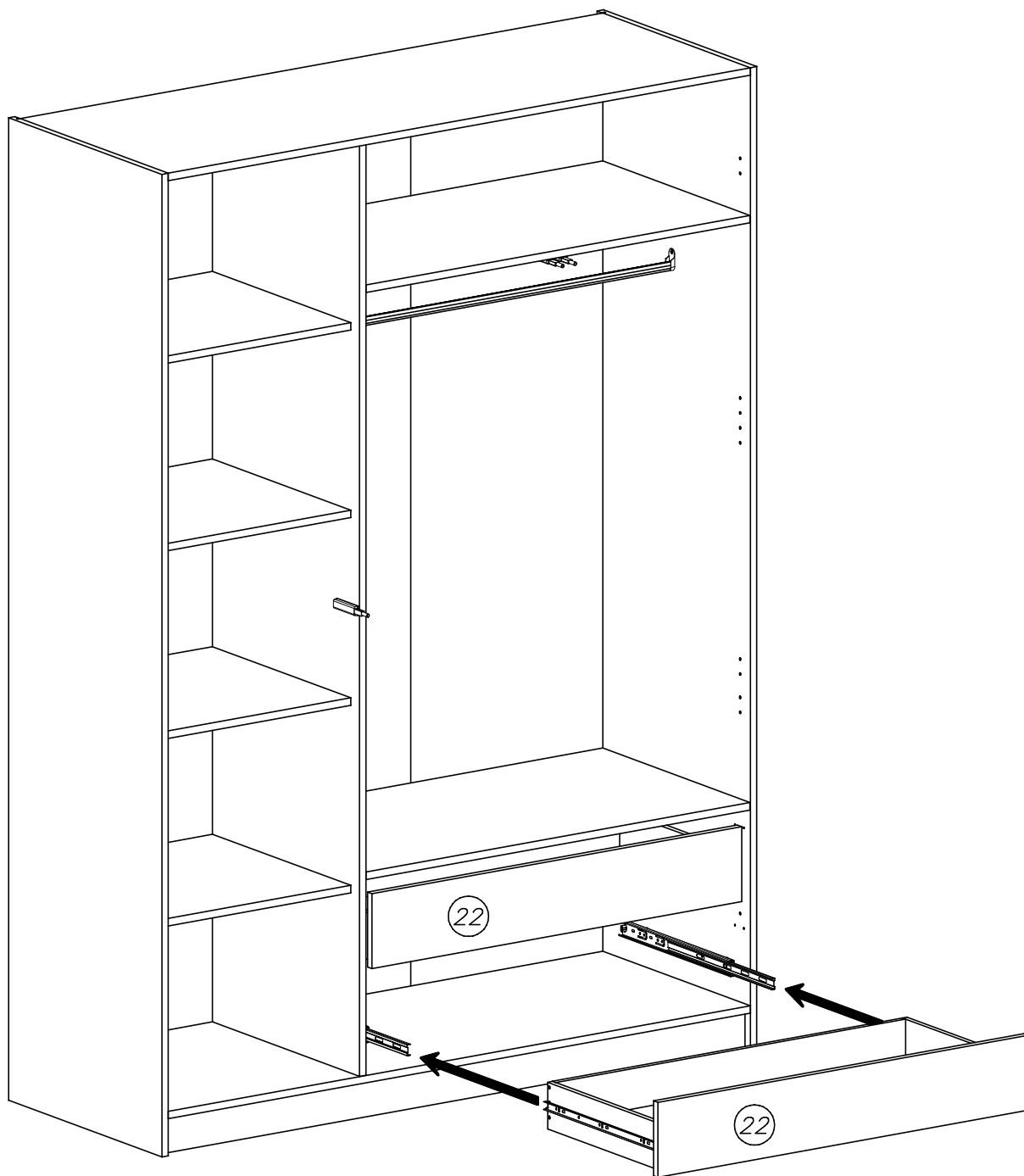
VI



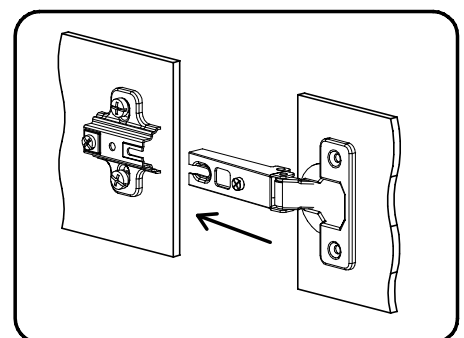
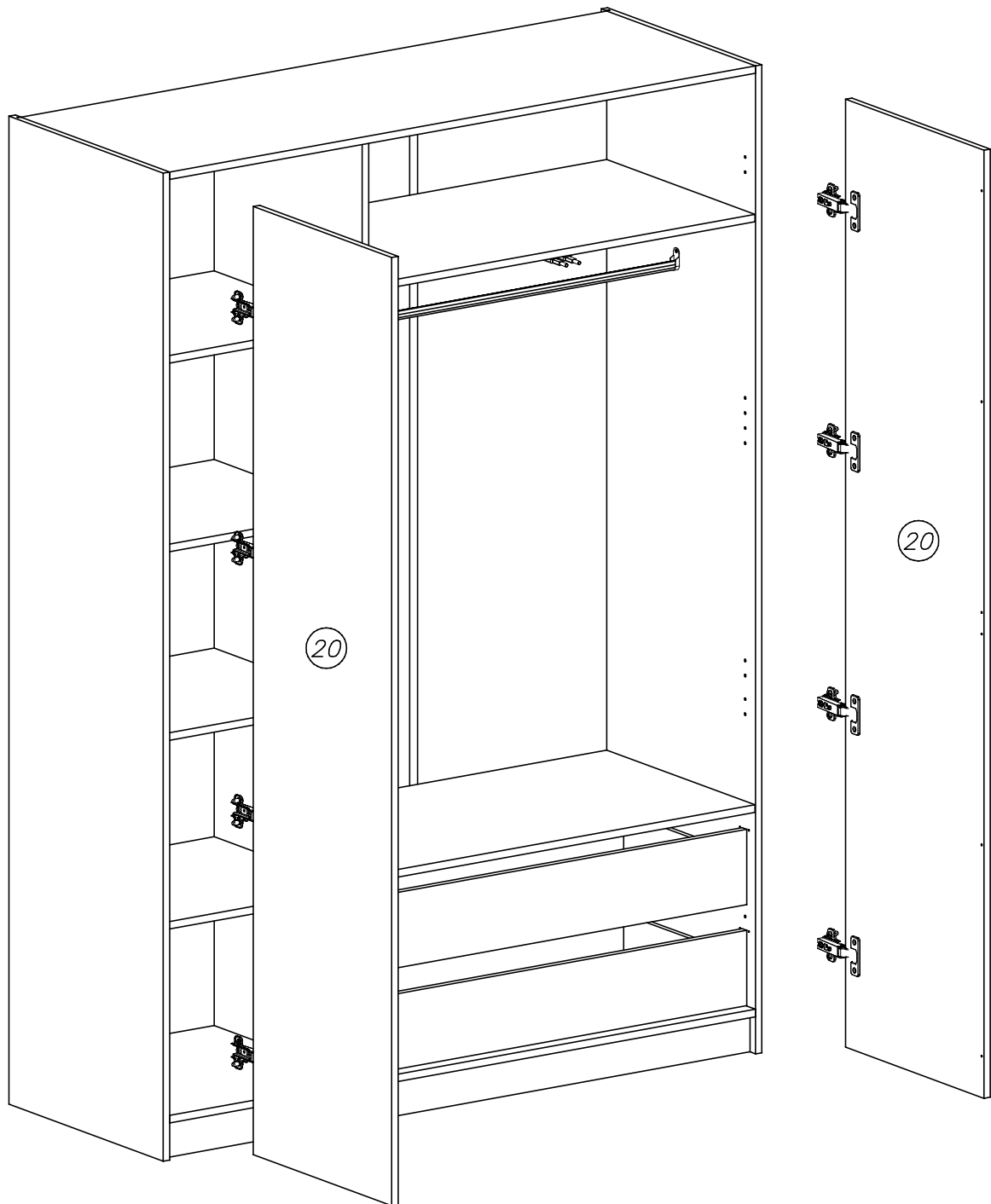
VII



VIII



IX



X

