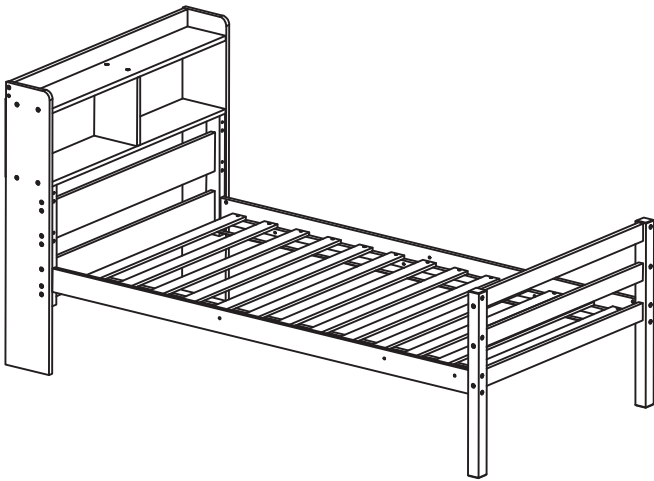


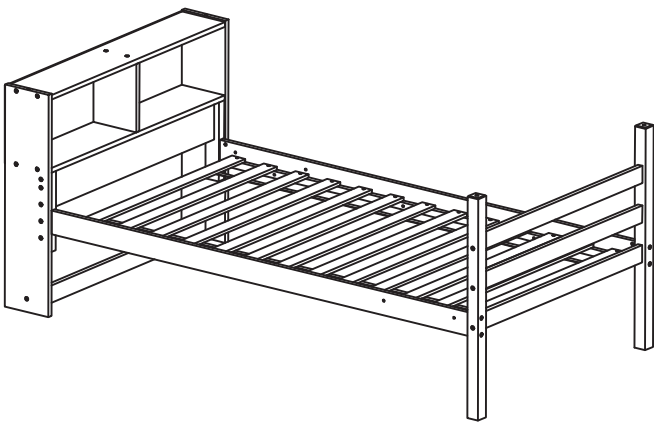
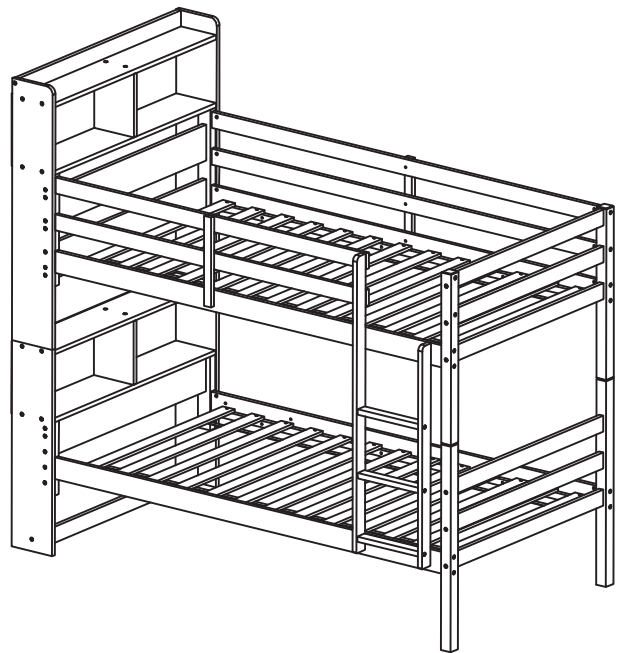
ASSEMBLY INSTRUCTIONS

TWIN OVER TWIN BUNK BED WITH HB BOOKCASE



Upper Bunk Bed

OR



Lower Bunk Bed



SAFETY WARNING



1. This bed is designed for use only mattress (es) meeting the following specifications on the upper bunk, and lower bunk:

Down bed

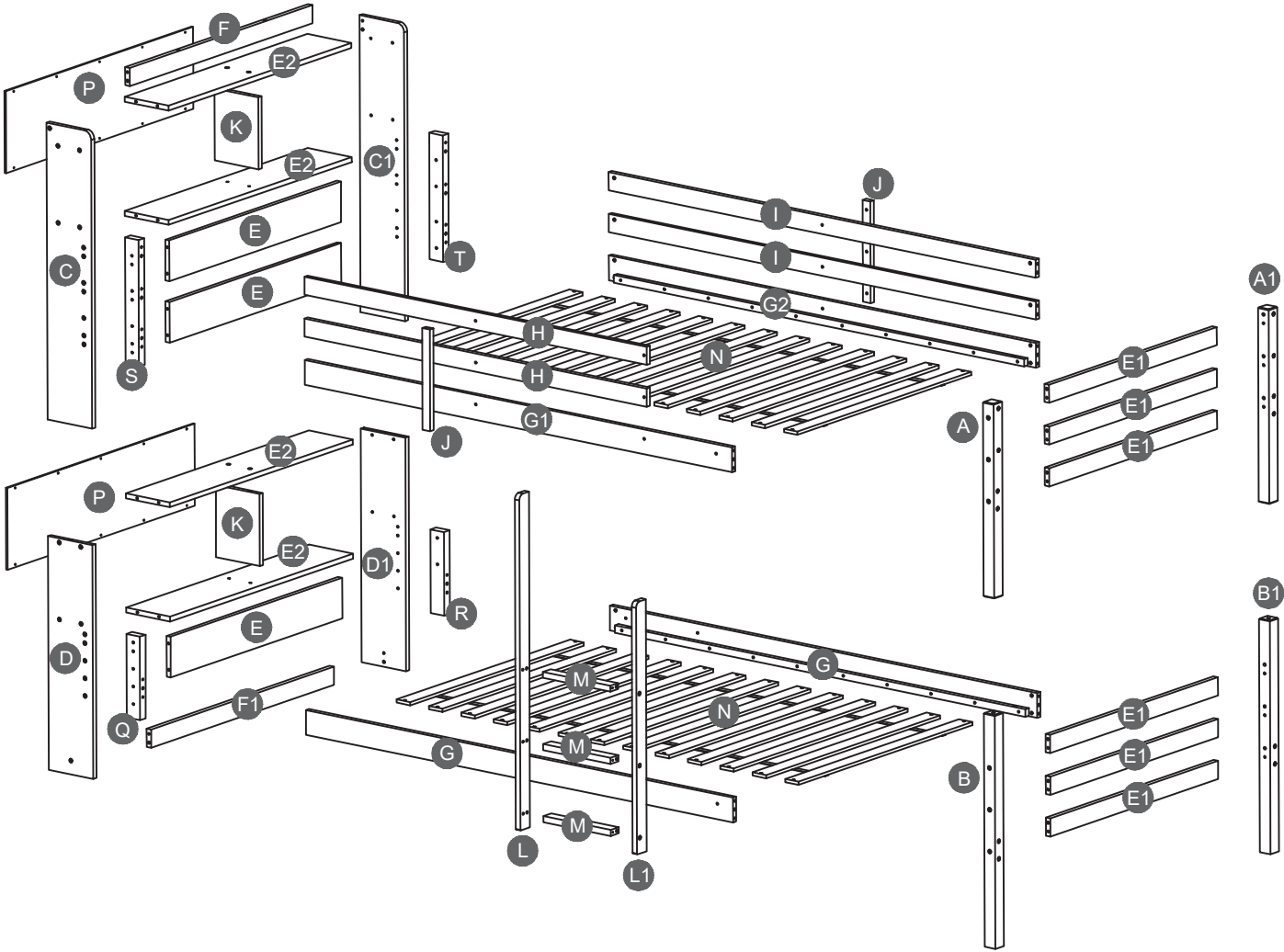
Bed type	Length	With	Thickness
Twin Standard	74"-75"	38 1/2"	6" max

Up bed (Bunk bed and tribed included)



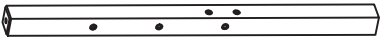
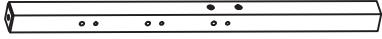
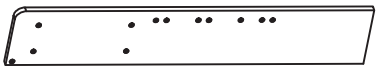
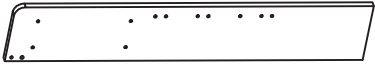
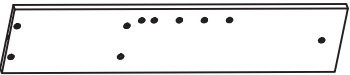
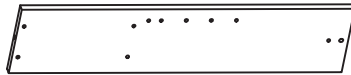
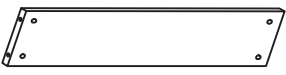
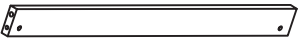

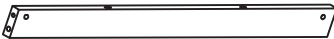
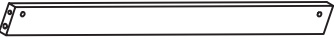


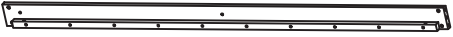


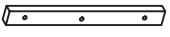

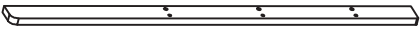

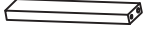

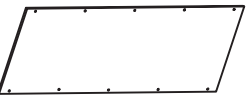
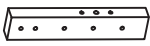
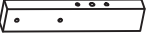
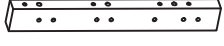

Bed type	Length	With	Thickness
Twin Standard	74"-75"	38 1/2"	6" max

2. Replacement parts, including additional guardrails, maybe obtained from any of our dealers of GigaCloud Technology, (USA) / 108-118 BREA CANYON RD, BUILDING 12, WALNUT, CA 91789.
3. Follow the information on the warnings appearing on the upper bunk bed end structure and on the carton. Do not remove warning label from bed.
4. Always use the recommended size mattresses or mattress supports, or both, to help prevent the likelihood of entrapment or falls.
5. Surface of mattress must be at least 5" (127mm) below the upper edge of guardrails.
6. Do not allow children under 6 years of age to use the upper bunk.
7. Periodically check and ensure that the guardrail, ladder, and other components are in their proper position, free from damage, and that all connectors are tight.
8. Do not allow horseplay on or under the bed and prohibit jumping on the bed.
9. Always use the ladder for entering and leaving the upper bunk.
10. Do not use substitute part. Contact the manufacture or dealer for replacement part.
11. Use of a night light may provide added safety precaution for a child using the upper bunk.
12. Always use guardrails on both long sides of the upper bunk. If the bunk bed will be placed next to the wall, the guardrail that runs the full length of the bed should be placed against the wall to prevent entrapment between the bed and wall.
13. The use of water or sleep flotation mattresses is prohibited.
14. STRANGULATION HAZARD - Never attach or hang items to any part of the bunk bed that are not designed for use with the bed; for example, but not limited to, hook, belts and jump ropes.
15. Keep these instruction for future reference.

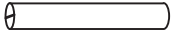

Detail View



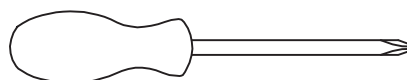
Part List

A  Upper Leg - 2pcs	A1  Upper Leg - 2pcs	B  Lower Leg - 2pcs
B1  Lower Leg - 2pcs	C  Bookcase Side Panel (Upper) - 1pc	C1  Bookcase Side Panel (Upper) - 1pc
D  Bookcase Side Panel (Lower) - 1pc	D1  Bookcase Side Panel (Lower) - 1pc	E  Bookcase Support Panel - 3pcs
E1  Hb. Fb. Panel - 6pcs	E2  Bookcase Shelf - 4pcs	F  Bookcase Top Panel - 1pc
F1  Bookcase Bottom Panel - 1pc	G  Side Rail Lower (Front & Back) - 2pcs	G1  Side Rail Upper (Front) - 1pc
G2  Side Rail Upper (Back) - 1pc	H  Guardrail Upper (Front) - 2pcs	I  Guardrail Upper (Back) - 2pcs
J  Guardrail Spindle - 2pcs	K  Bookcase Center Panel - 2pcs	L  Ladder Rail Left (Long) - 1pc
L1  Ladder Rail Right (Short) - 1pc	M  Ladder Step - 3pcs	N  Bed Slats Upper & Lower - 2 Sets
P  Bookcase Back Panel - 2pcs	Q  Bookcase Lower Block (Short) - 1pc	R  Bookcase Lower Block (Short) - 1pc
S  Bookcase Upper Block (Long) - 1pc	T  Bookcase Upper Block (Long) - 1pc	

Hardware List

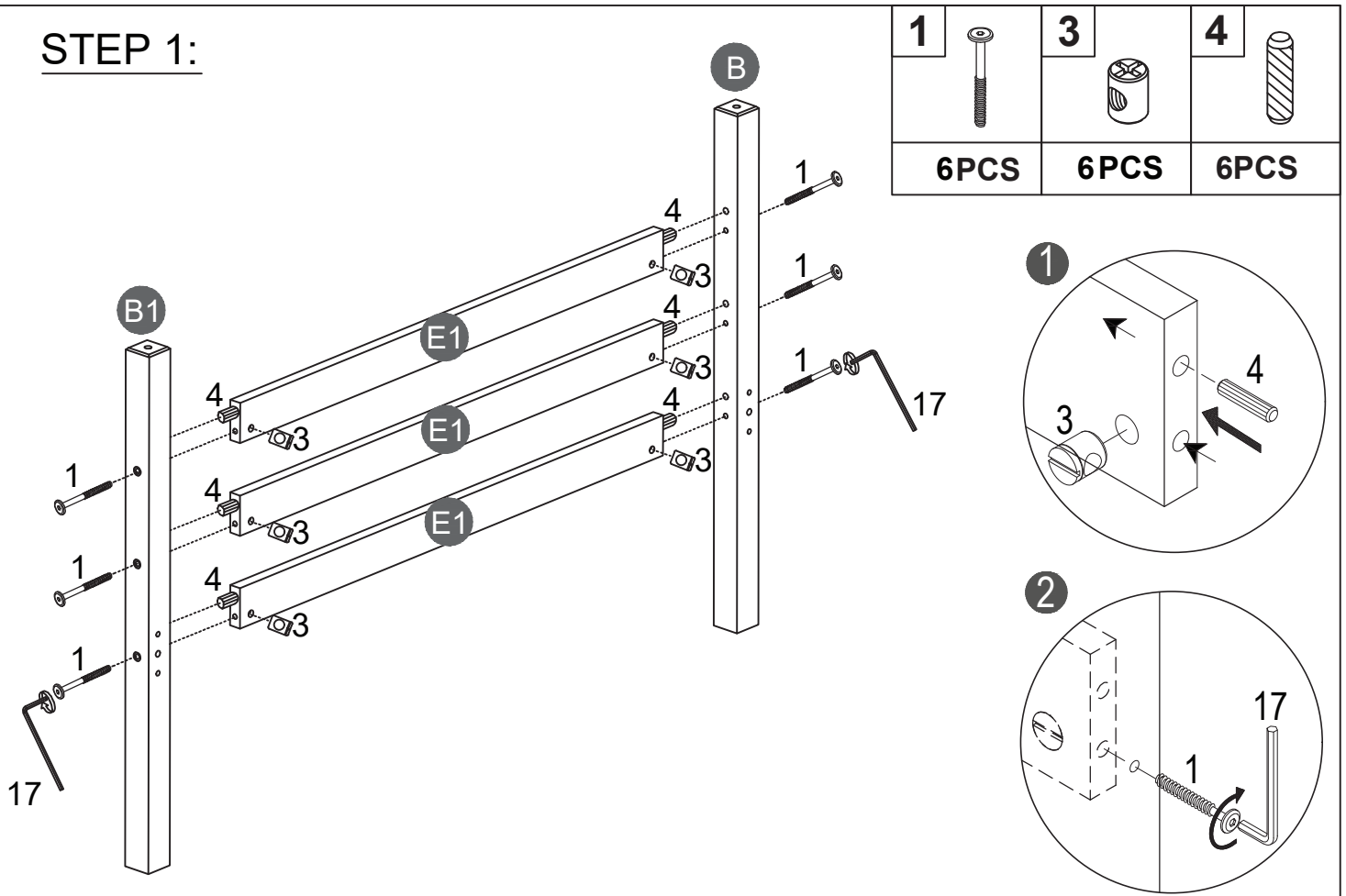
1  M6 x 90mm JCBC (46pcs)	2  M6 x 50mm JCBC-W (12pcs)	3  M6 x 15mm Barrel Nut (74pcs)
4  M10 x 30mm Wood Dowel (38pcs)	5  M6 x 60mm JCBC (28pcs)	6  M4 x 25mm CSK Screw (44pcs)
7  M6 x 30mm JCBC (6pcs)	8  M6 x 30mm JCBC-W (8pcs)	9  M10 x 100mm Metal Pin (2pcs)
10  M6 x 40mm JCBC (12pcs)	11  M3.5 x 16mm Pan Head Screw (20pcs)	12  95 x 95 x 18 x 3mm Metal Bracket (4pcs)
13  M4 x 16mm CSK Screw (28pcs)	14  M4 x 38mm CSK Screw (2pcs)	15  70 x 20 x 20 x 1.6mm Metal Bracket (1pc)
16  Sticker Cap (10pcs)	17  M4 Allen Key (1pc)	

ASSEMBLY TOOLS REQUIRED (NOT INCLUDED)

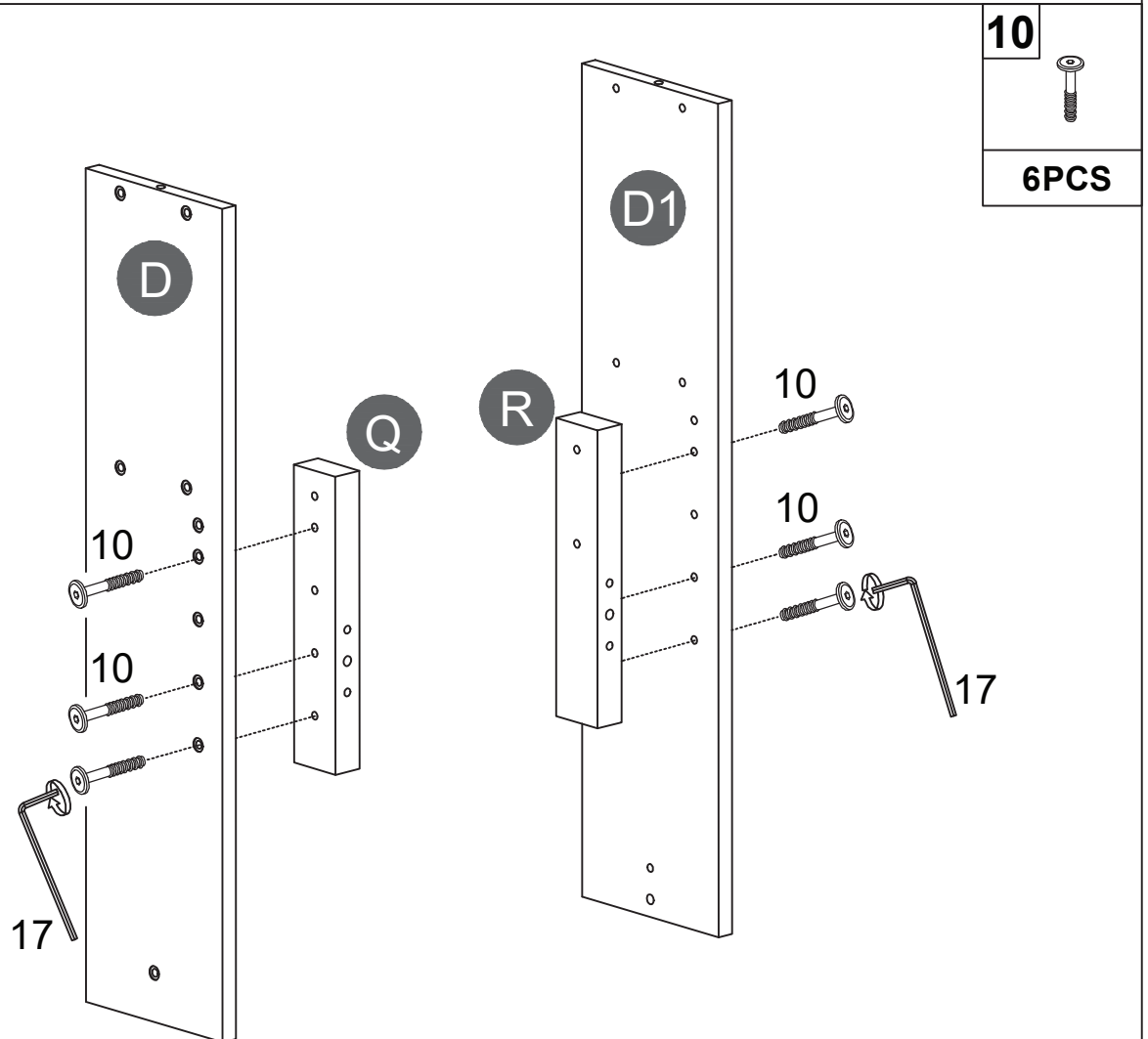


PLEASE BE CAREFUL DO NOT DAMAGE THE HOLE POSITION WHEN YOU USE POWER TOOLS !



STEP 1:

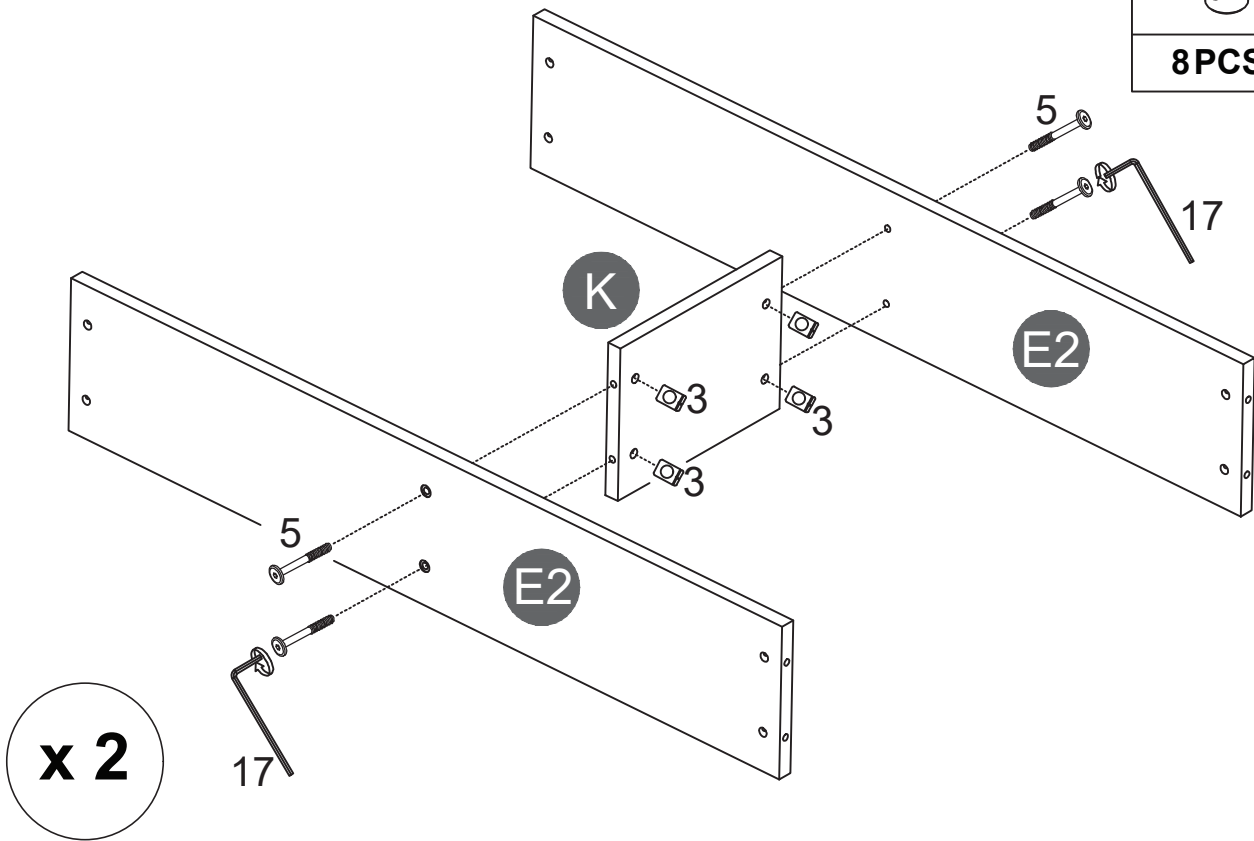


STEP 2:







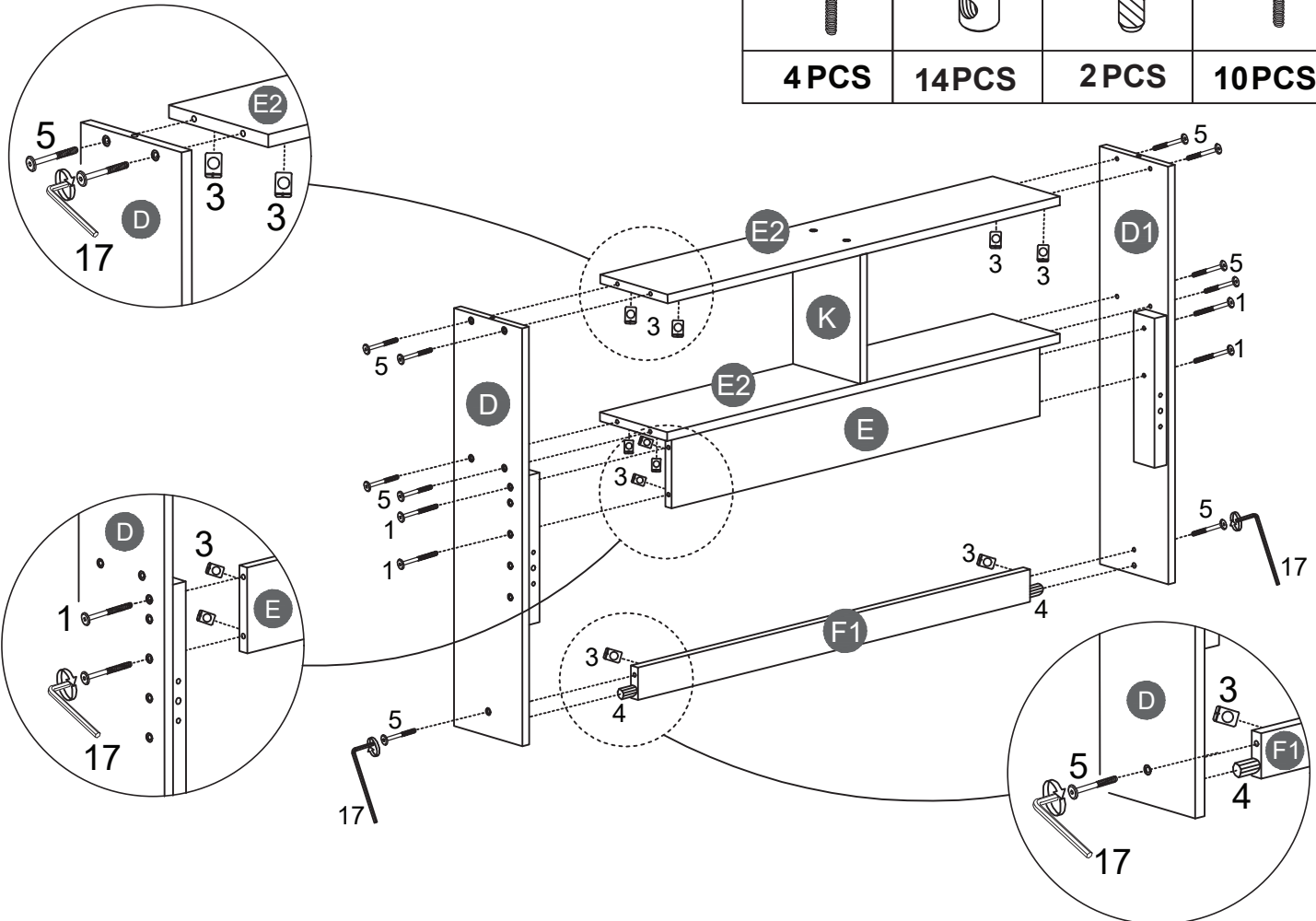
STEP 3:

3		5	
8PCS		8PCS	





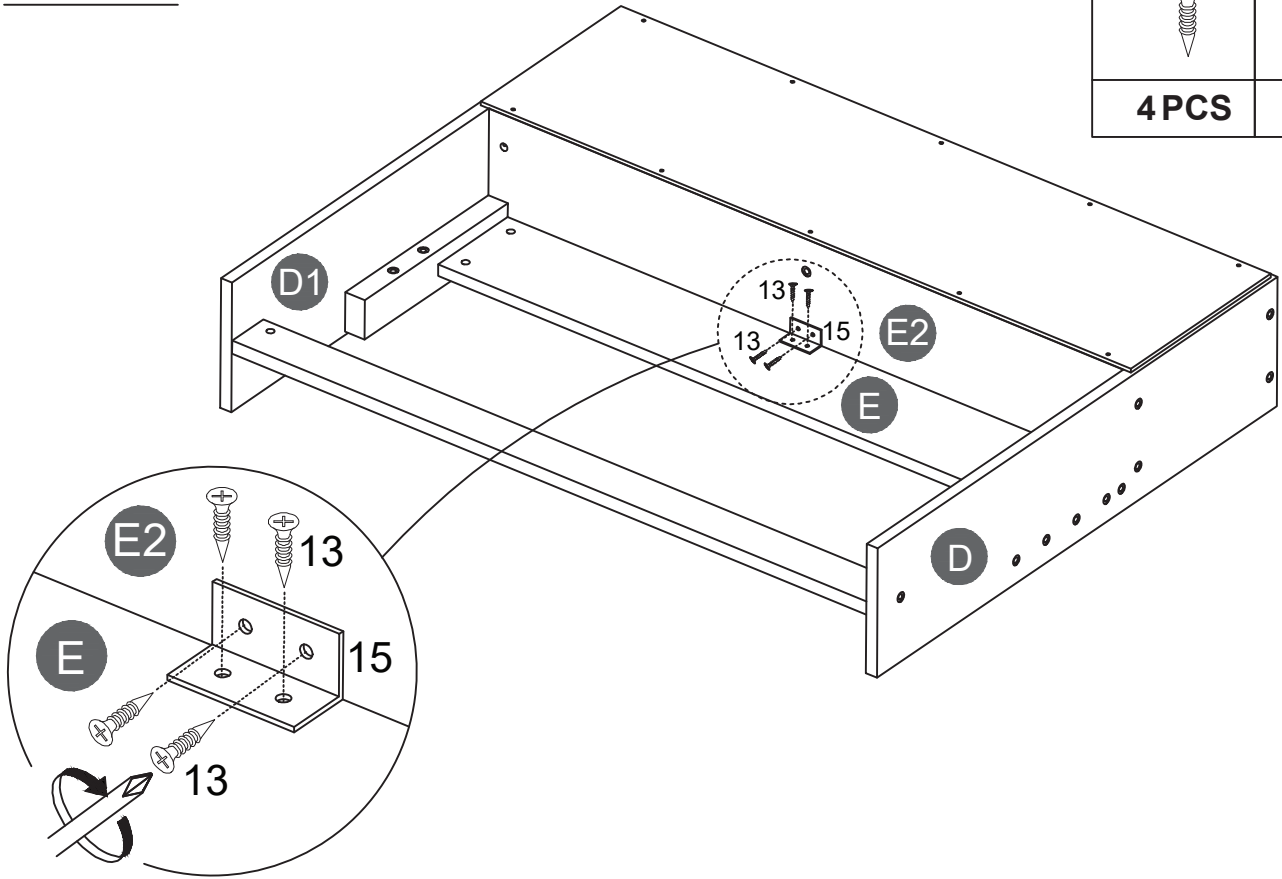
STEP 4:

1		3		4		5	
4PCS		14PCS		2PCS		10PCS	




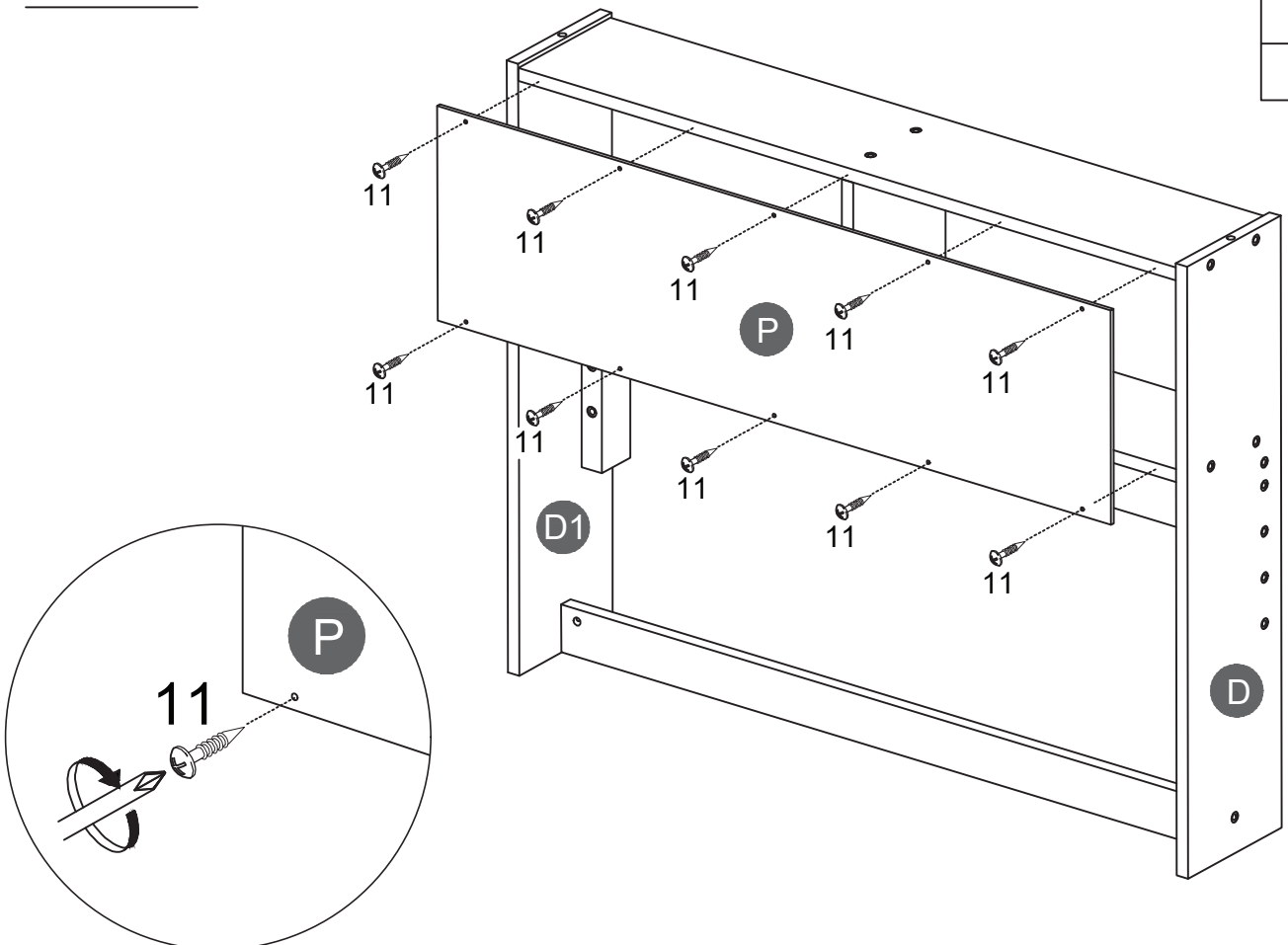
STEP 5:

13		15	
4PCS		1PC	






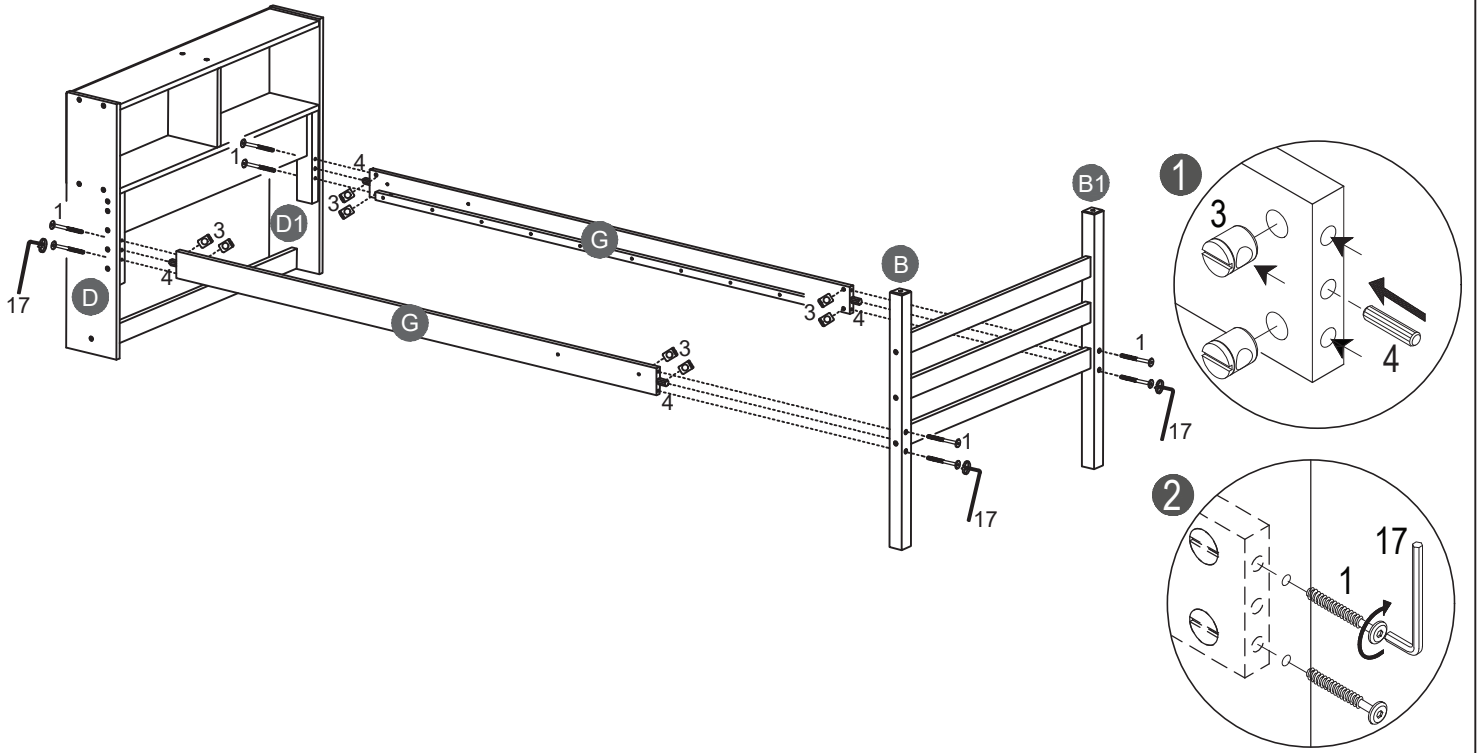
STEP 6:

11	
10PCS	






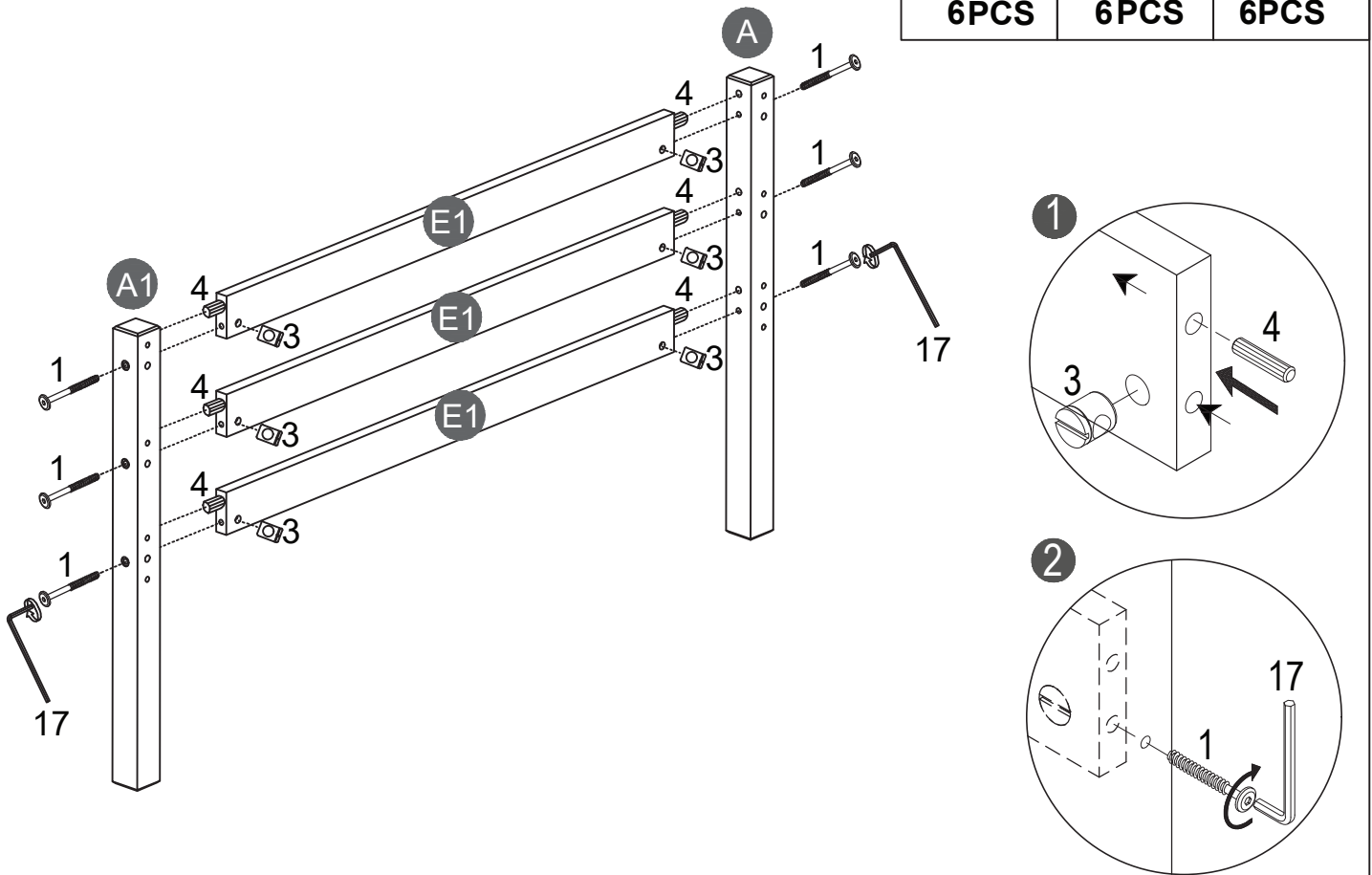
STEP 7:

1		3		4	
8PCS		8PCS		4PCS	

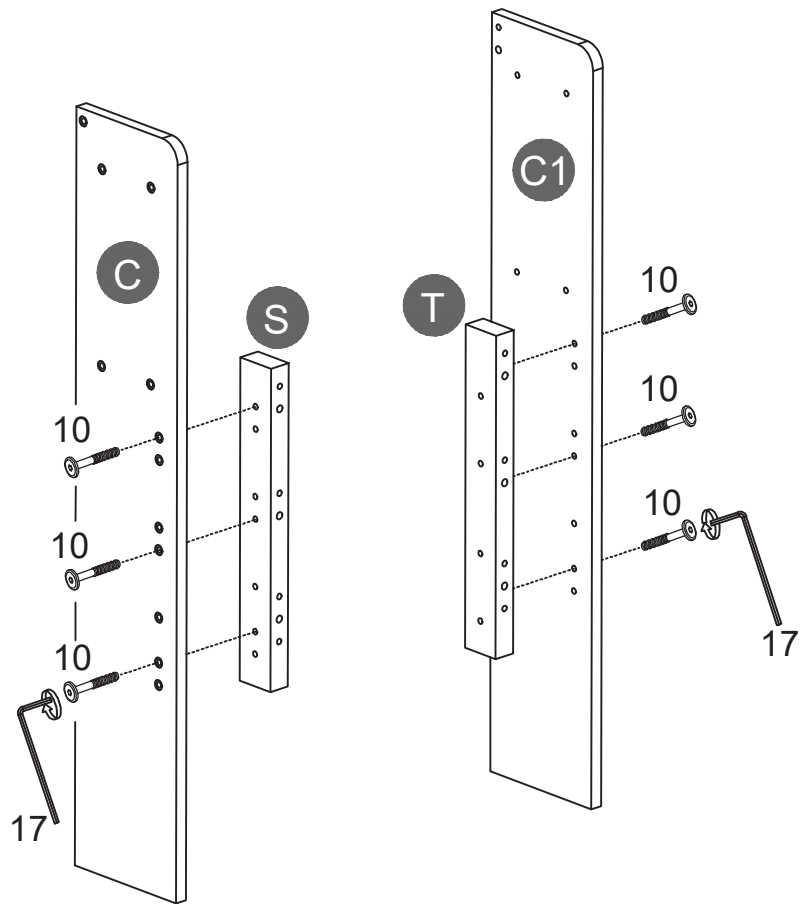


STEP 8:

1		3		4	
6PCS		6PCS		6PCS	



STEP 9:



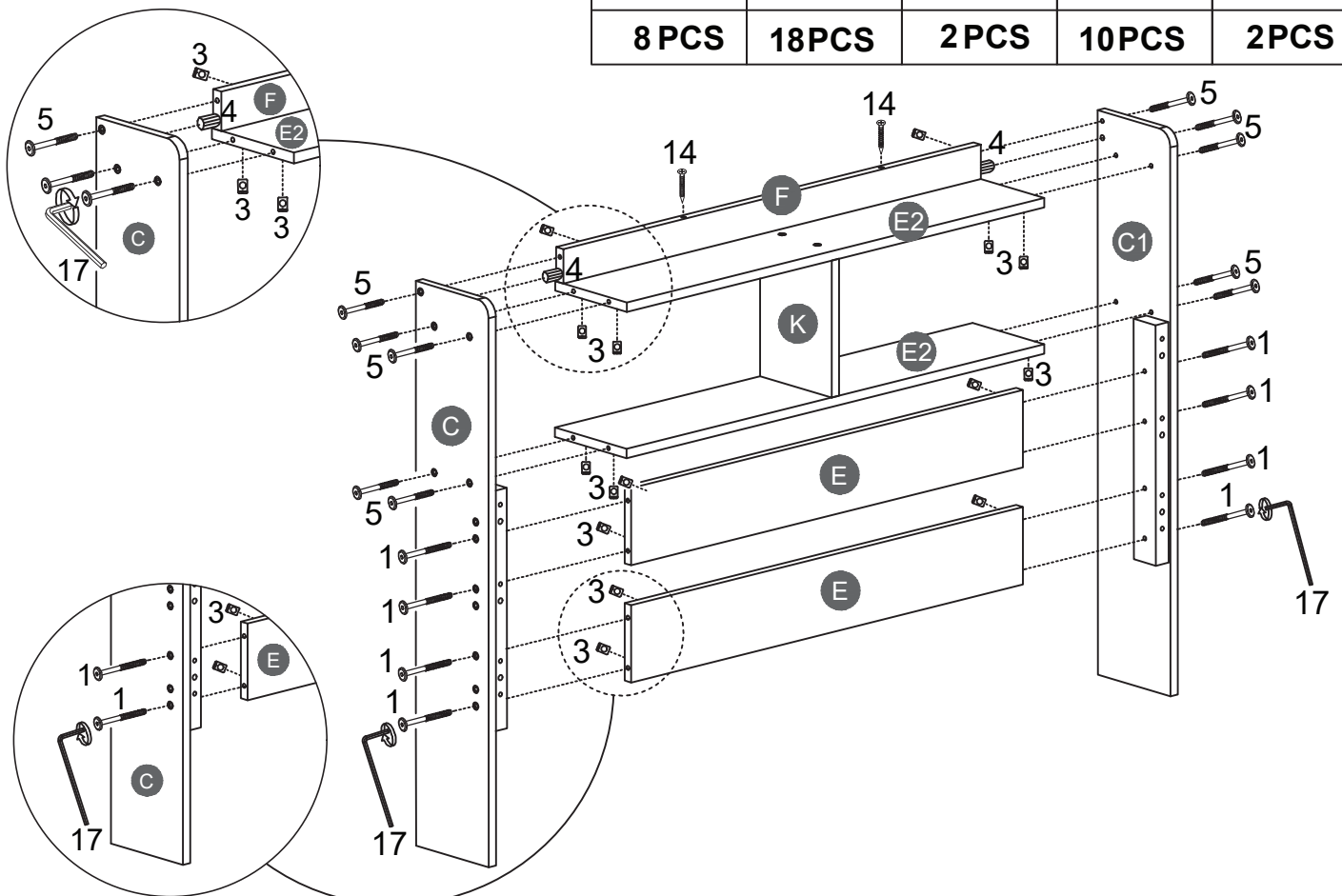
10



6PCS

STEP 10:

1		3		4		5		14	
8 PCS		18PCS		2PCS		10PCS		2PCS	

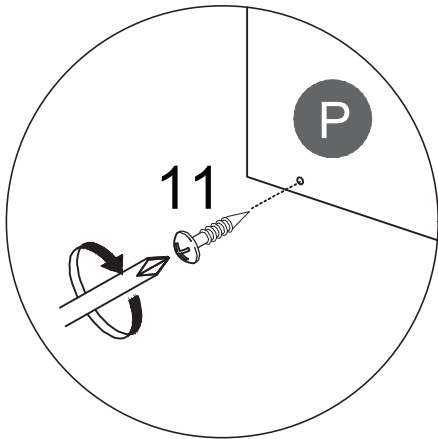
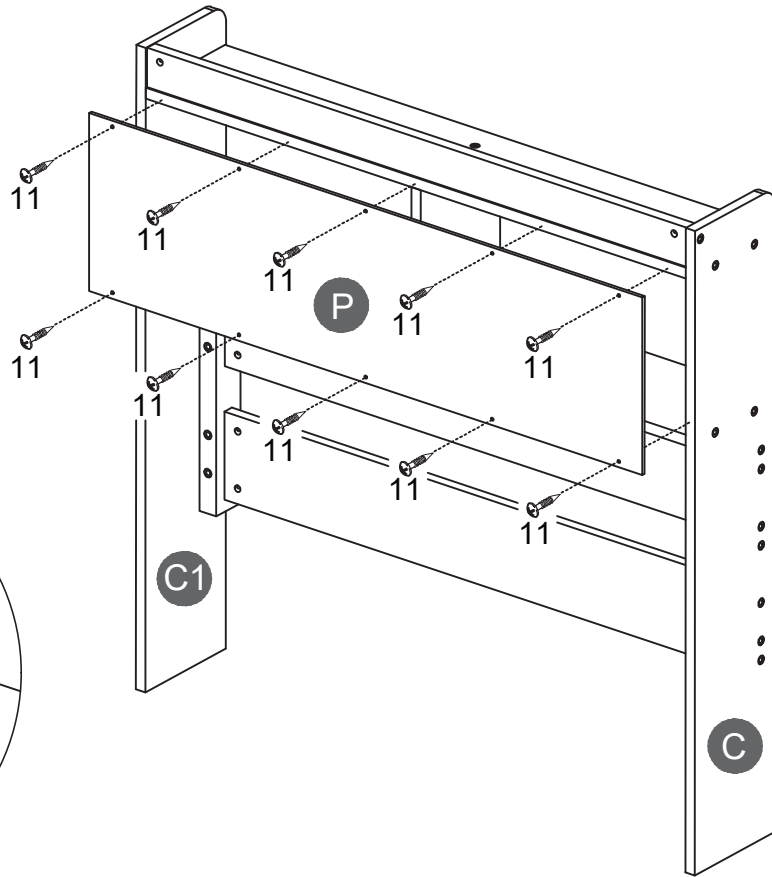


STEP 11:

11

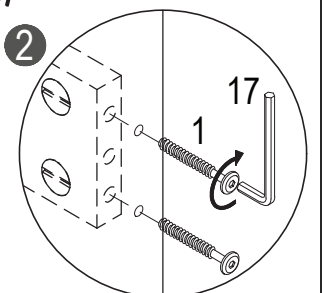
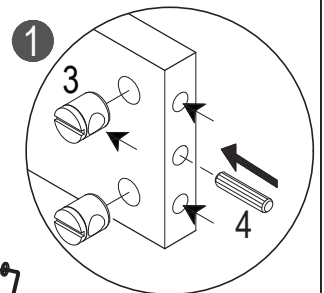
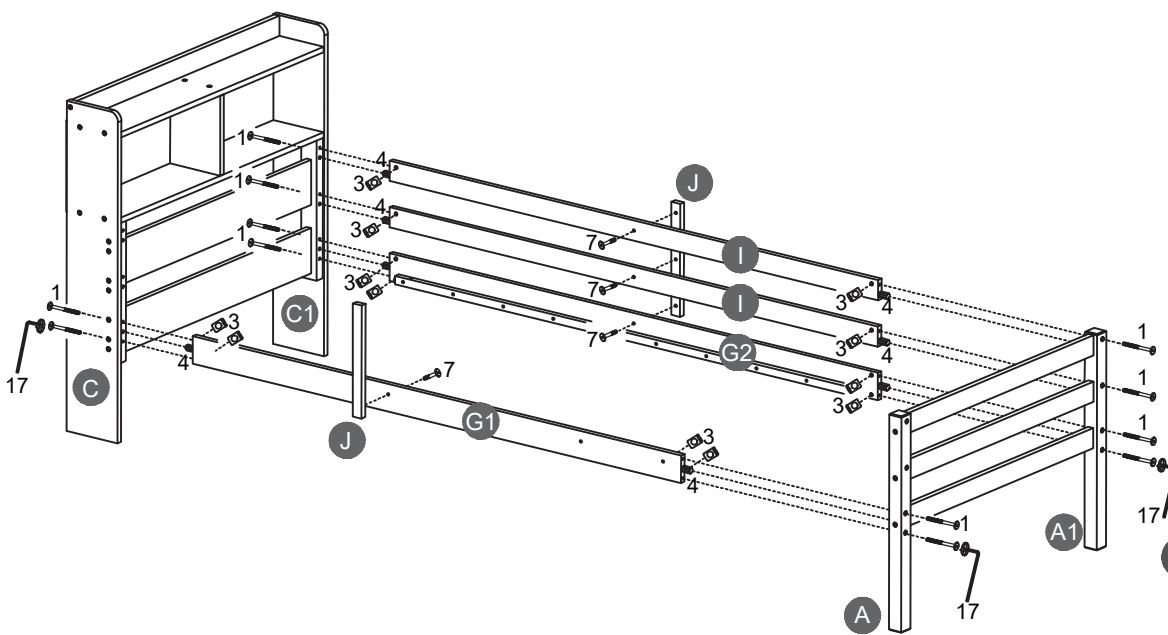


10PCS







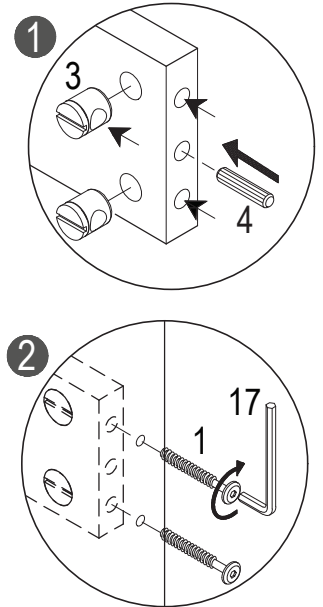
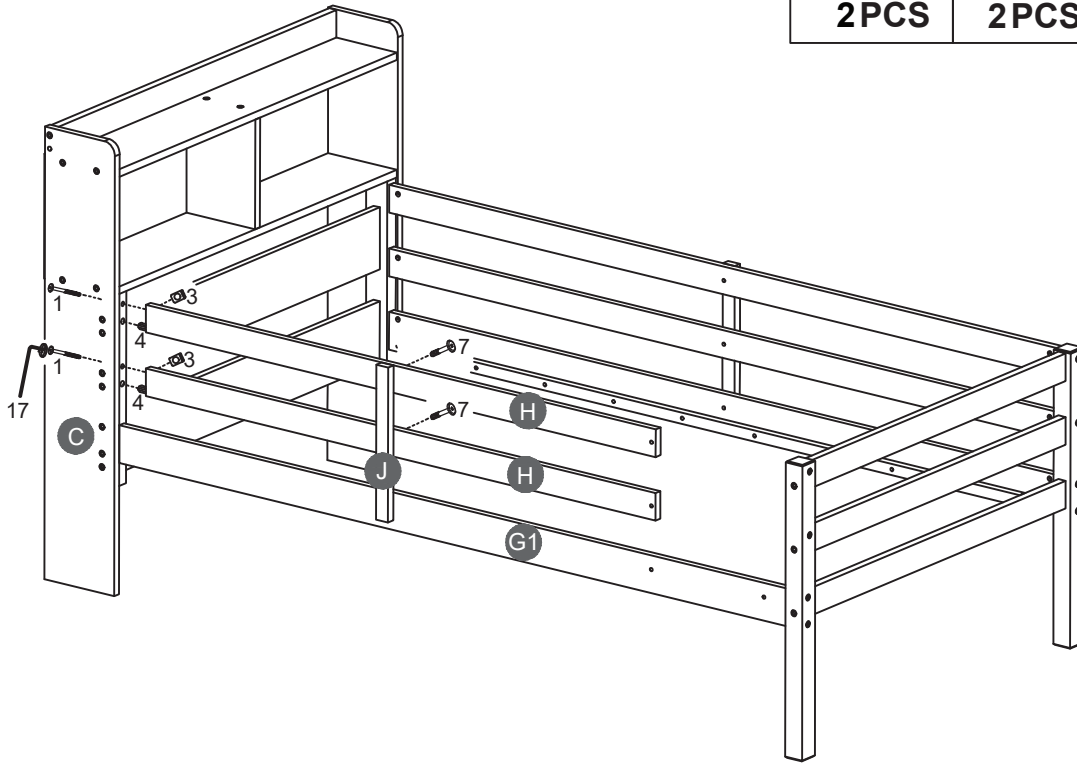
STEP 12:

1		3		4		7	
12PCS		12PCS		8PCS		4PCS	





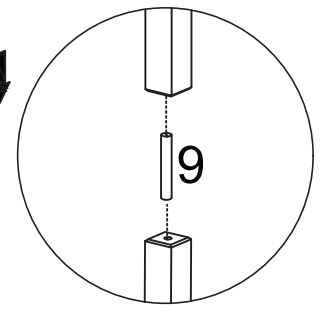
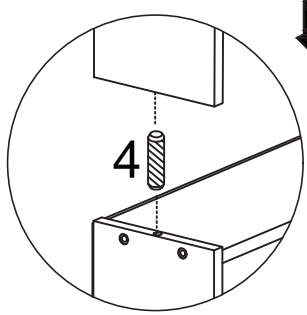
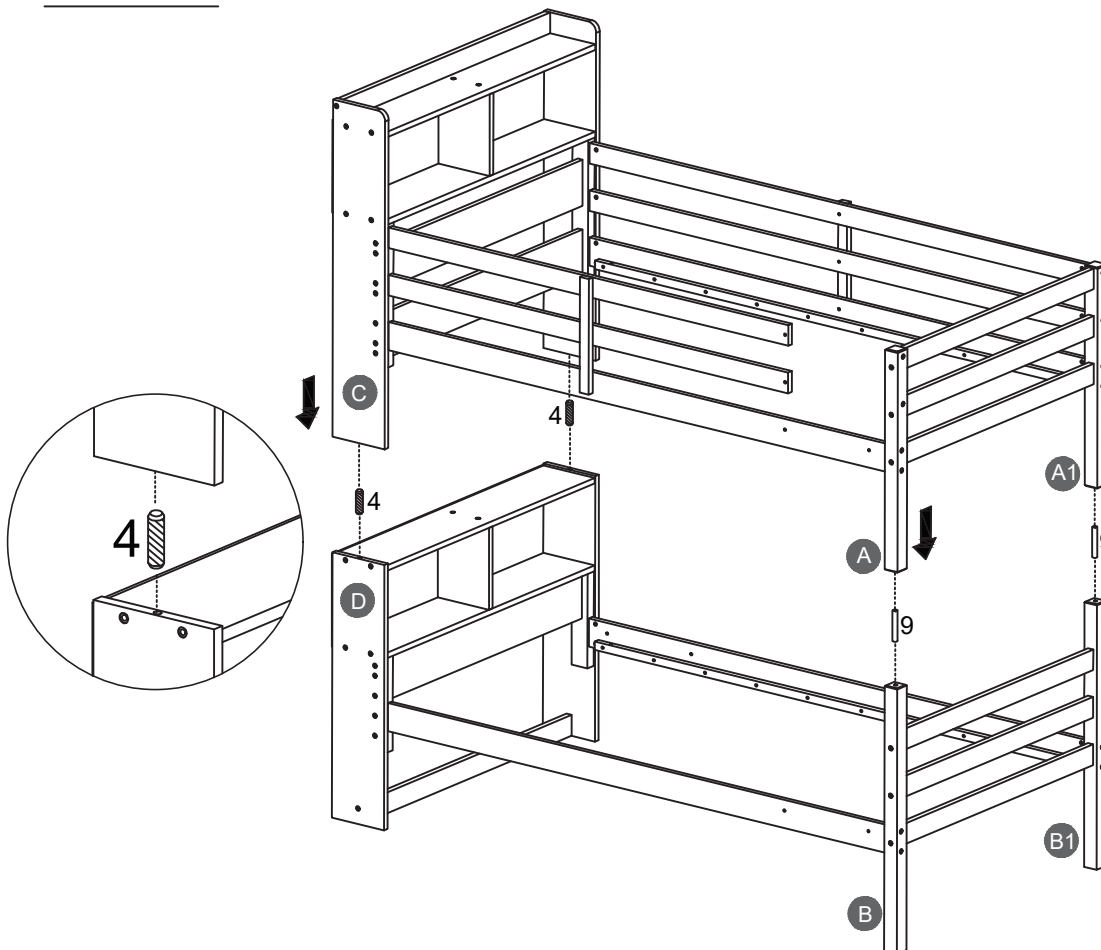
STEP 13:

1		3		4		7	
2PCS		2PCS		2PCS		2PCS	

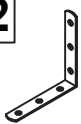




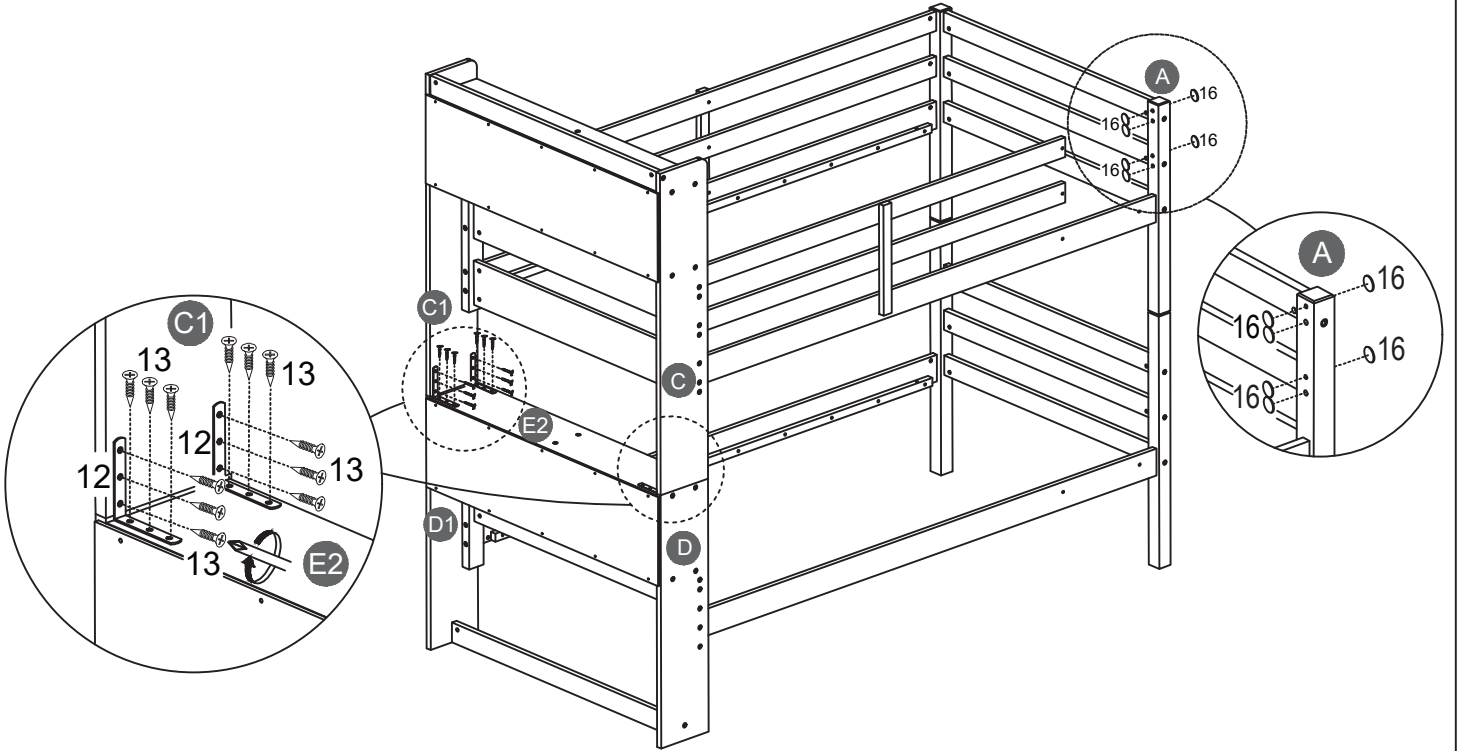
STEP 14:

4		9	
2PCS		2PCS	





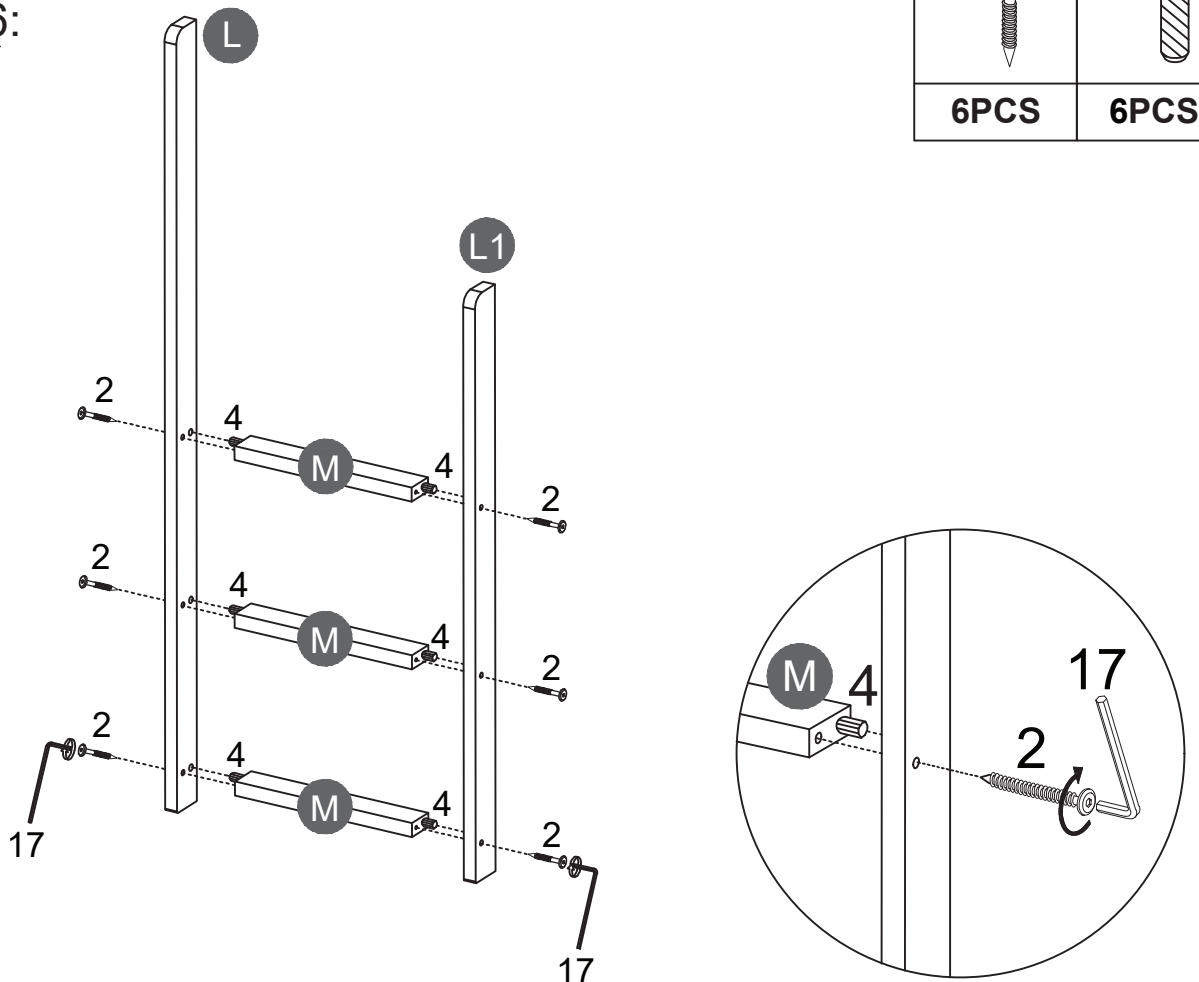
STEP 15:

12		13		16	
4PCS		24PCS		6PCS	

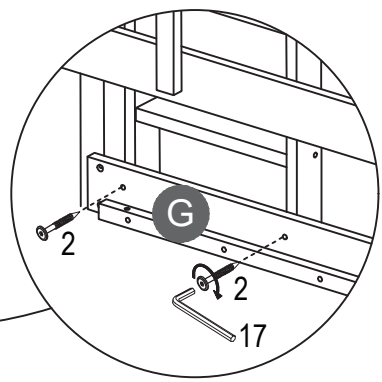
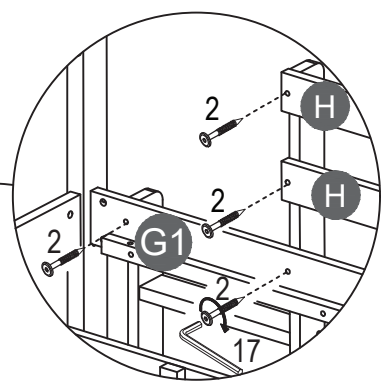
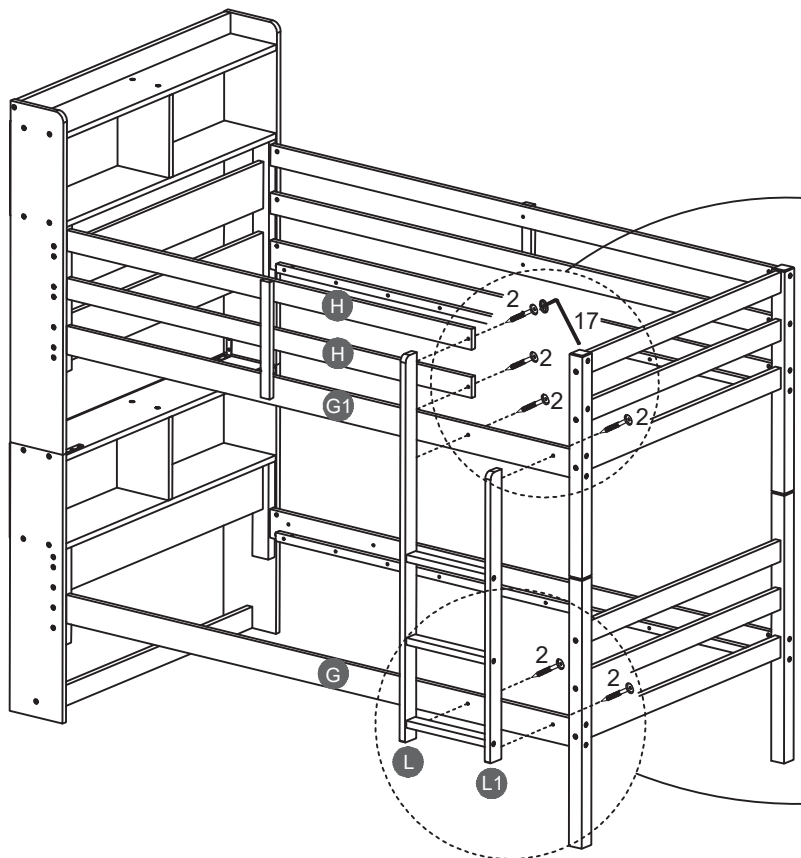



STEP 16:

2		4	
6PCS		6PCS	

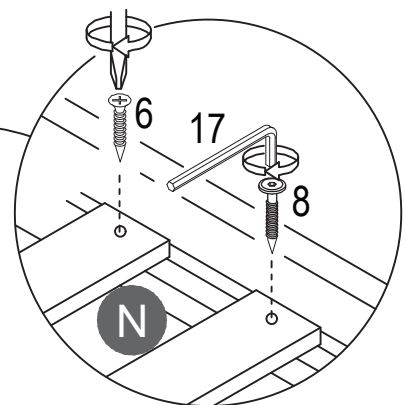
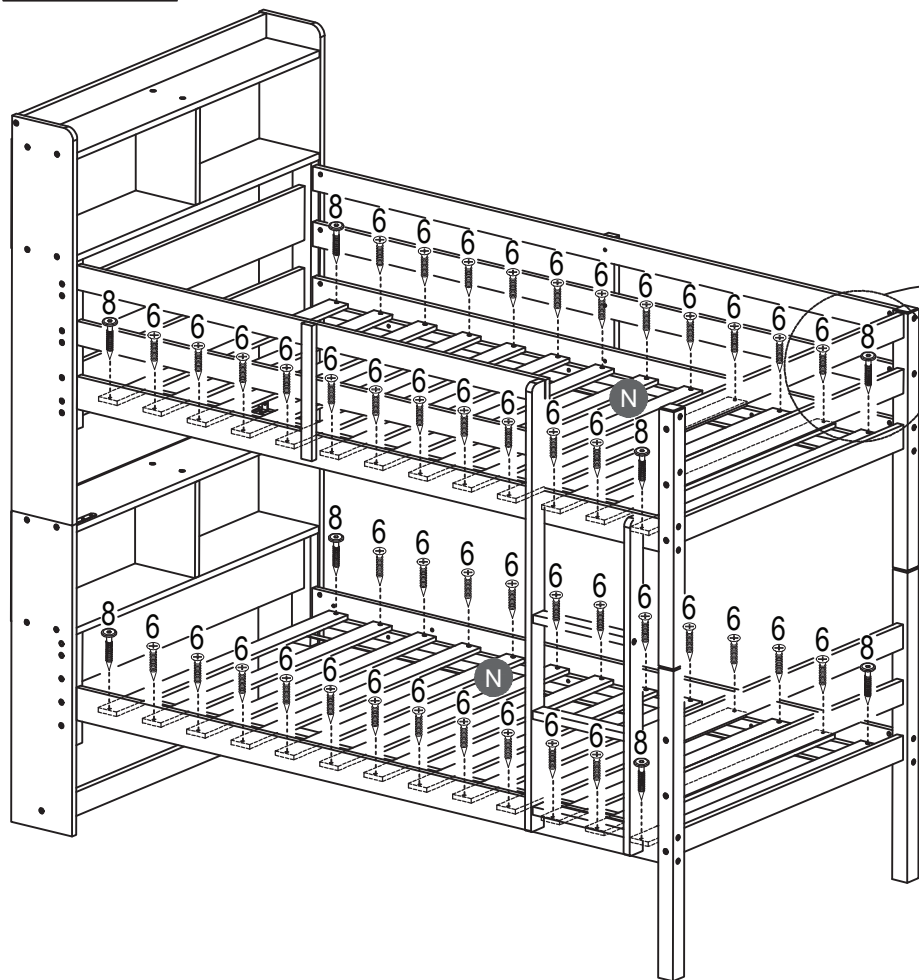




STEP 17:



2	
6PCS	

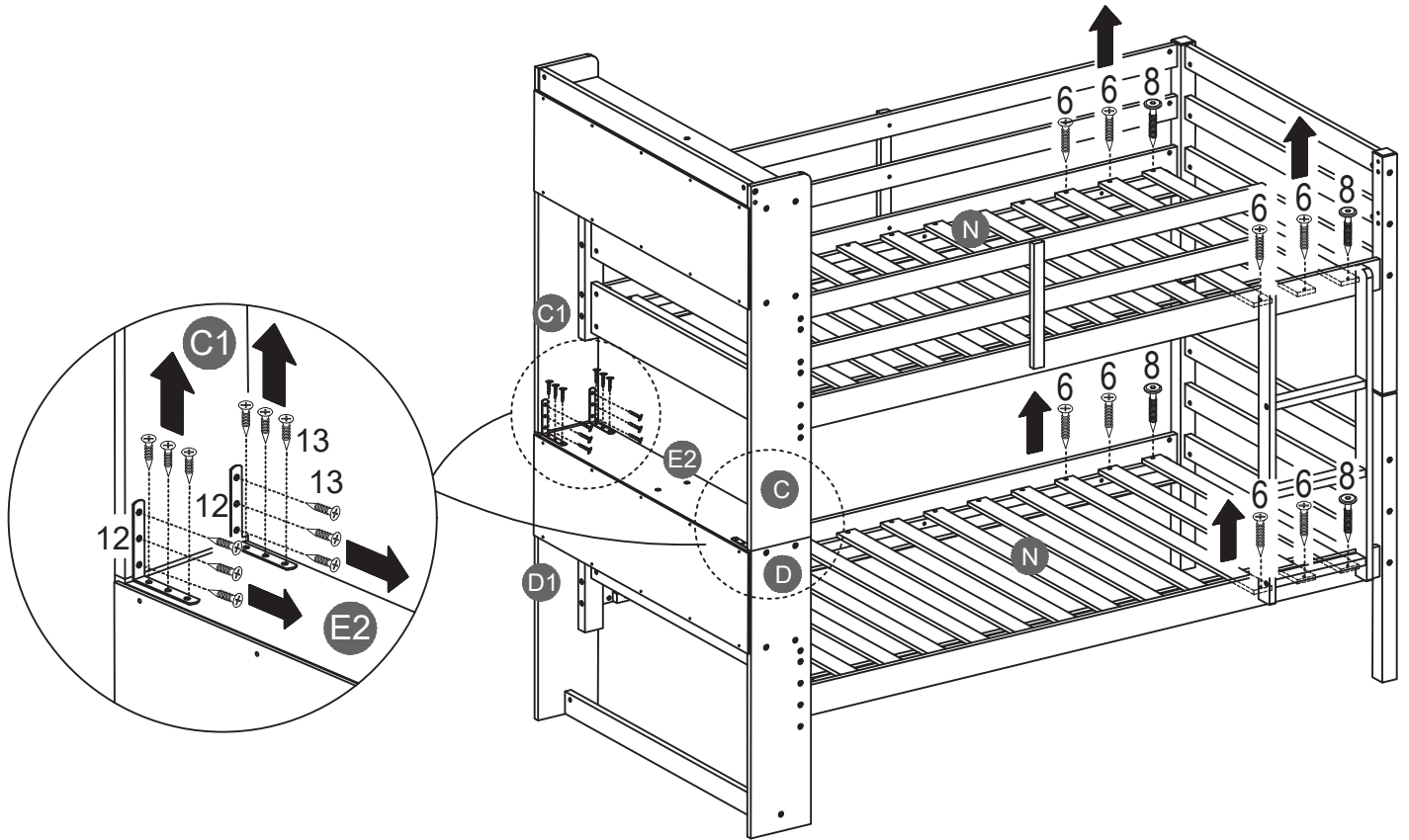
STEP 18:



6		8	
44PCS		8PCS	

STEP 1:

Converting the Bunk Bed into 2 Twin Beds



STEP 2:

