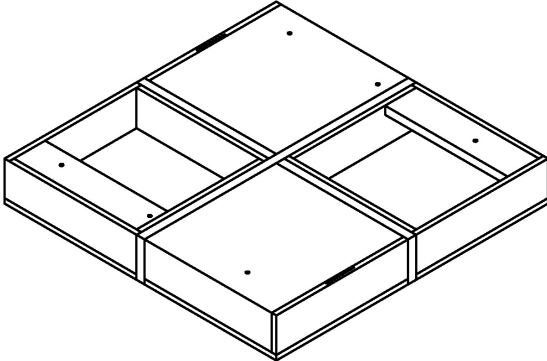
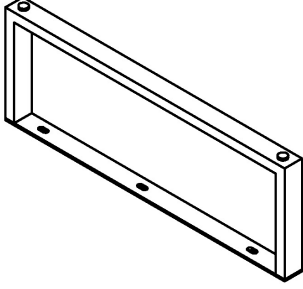





AX1			BX2	
				
H1X6	H2X6	T	Extra Hardware	
			H1-2 pcs H2-2 pcs	

- Note:
1. Please do not tight any bolt unless all bolts are fixed at their respective places.
 2. After fixing the bolts tighten them simultaneously.
 3. Matching Parts Bolt (example AtoA)
 4. Two person assembly required.

