

METAL SWIVEL HEIGHT STOOL (BLACK FINISH WITH STONE FAUX SUEDE)

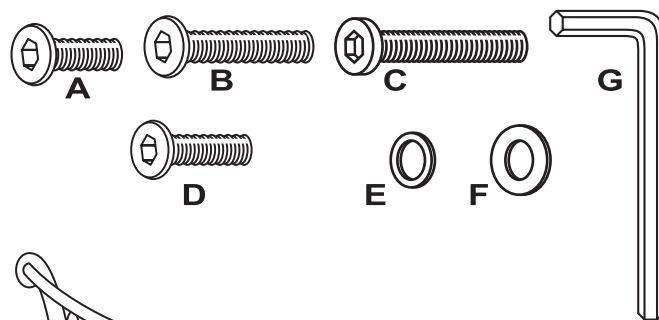
Swivel Counter Height Stool

Swivel Bar Height Stool

Examine all packaging material for small parts that may have come loose during shipment. Periodic checks are recommended to insure that all components are in proper position, tight and free from damage. Keep this assembly instruction for future reference. Adult assembly is required. This product is designed for residential use only.

HARDWARE LIST

- A (8) Allen Bolts 1/4"*1/2"
- B (4) Allen Bolts 1/4"*3/4"
- C (2) Allen Bolts 1/4"*1-1/2"
- D (4) Allen Bolts 1/4"*1"
- E (18) Spring Washers $\Phi 9 \times \Phi 7 \times 1(1/4)$ "
- F (18) Metal Washers $\Phi 13 \times \Phi 6.2 \times 1\text{MM}(1/4)$ "
- G (1) Allen Wrench 1/4"



PARTS LIST

- H (1) Stool Back
- J (1) Stool Base
- K (1) Seat Base
- L (1) Inner Ring
- M (4) Legs

STEP 1 - FIGURE 1

Begin assembly by attaching each Leg (M) to Stool Base (J) from the bottom side, using 2 Allen Bolts (A), 2 Spring Washers (E) and 2 Flat Washers (F) per leg. Only hand tighten bolts for this step.

STEP 2 - FIGURE 2

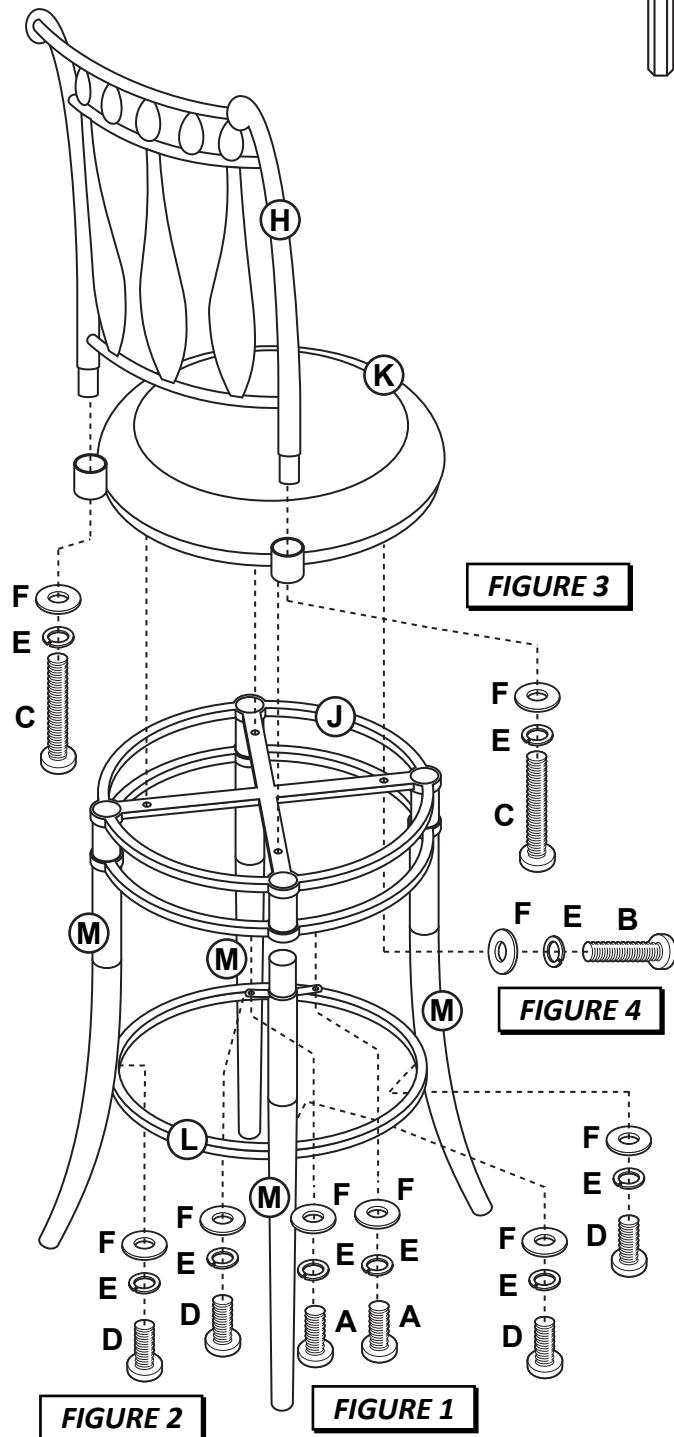
Attach Inner Ring (L) to each Leg (M) using 4 Allen Bolts (D), 4 Spring Washers (E), 4 Flat Washers (F) per each leg.

STEP 3 - FIGURE 3

Next attach Stool Back (H) to Seat Base (K) using 2 Allen Bolts (C), 2 Spring Washers (E) and 2 Flat Washers (F) per each leg.

STEP 4 - FIGURE 4

Attach Seat Base (K) to Stool Base (J) using 4 Allen Bolts (B), 4 Spring Washers (E), 4 Flat Washers (F) from the bottom side. Tighten all bolts from both Steps 1 ~ 4. The assembly is now complete.



CARE & MAINTENANCE: The touch of a soft cloth is all the maintenance the finish will ever need. Please do not use harsh or abrasive cleaners for polishing, as they may cause damage to the finish. Periodic checks are recommended to make sure that all hardware is securely tightened.