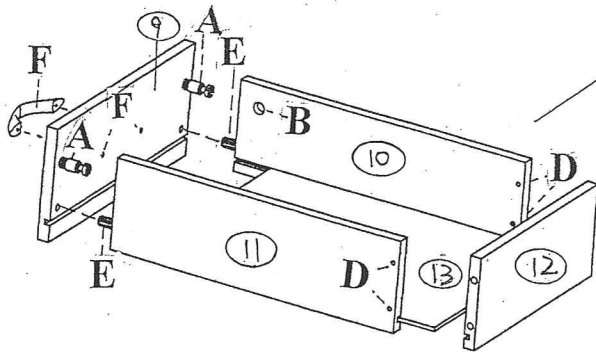
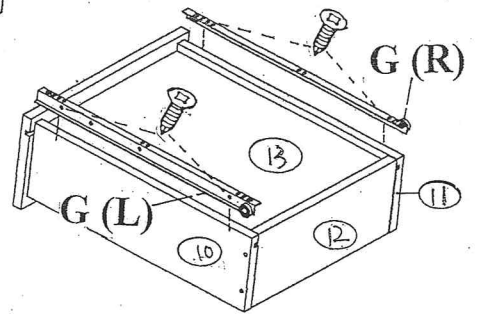
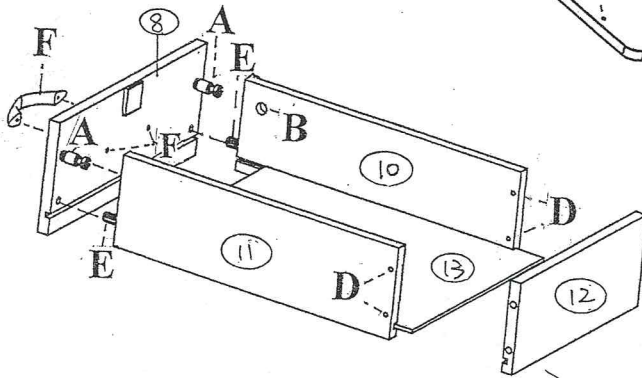
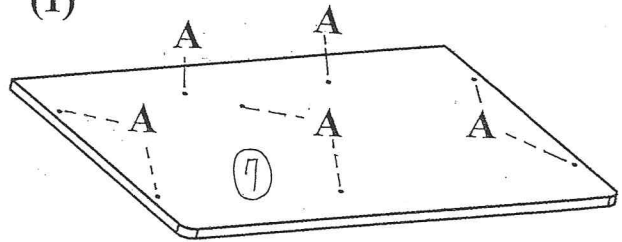
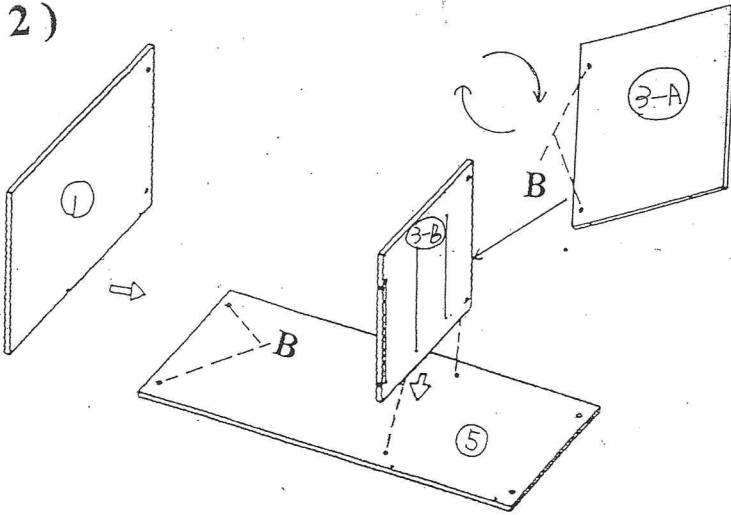


(1)

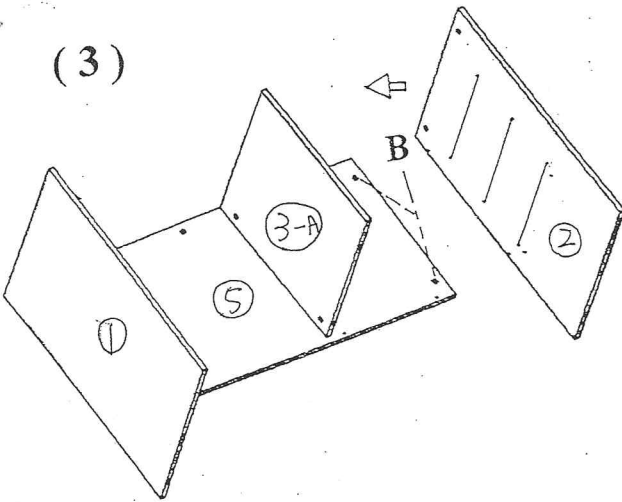


ITEM NO:
12108
12110

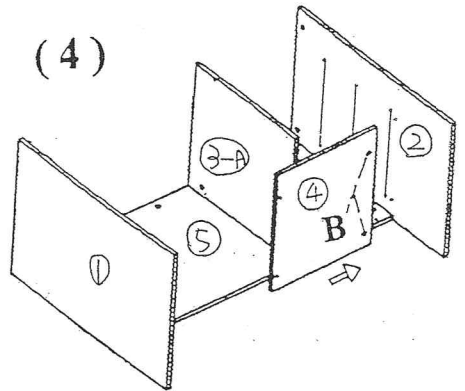
(2)



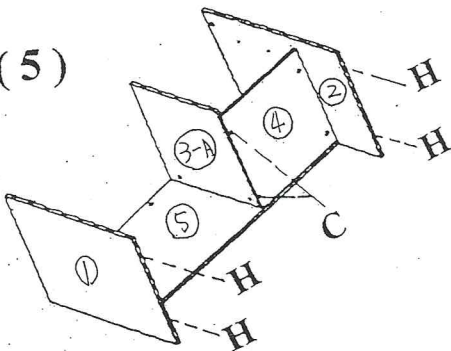
(3)



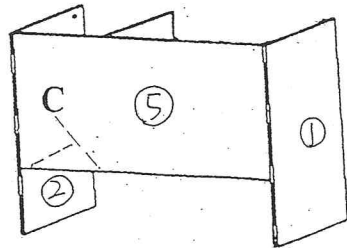
(4)



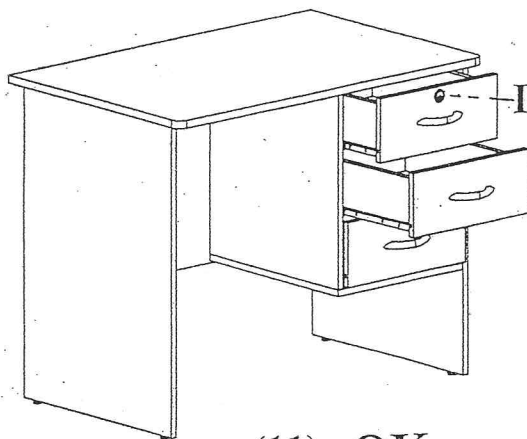
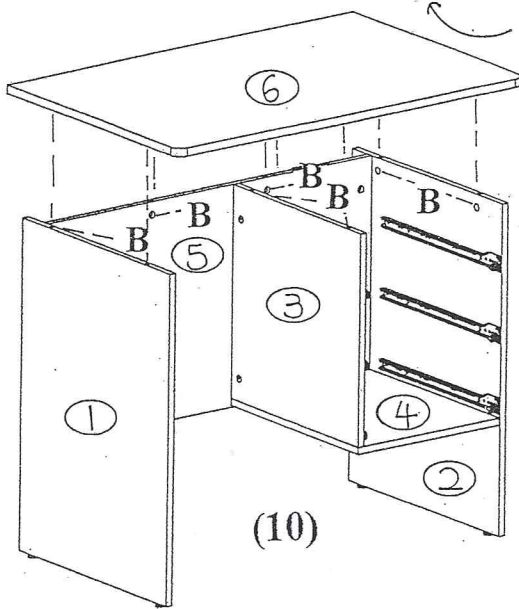
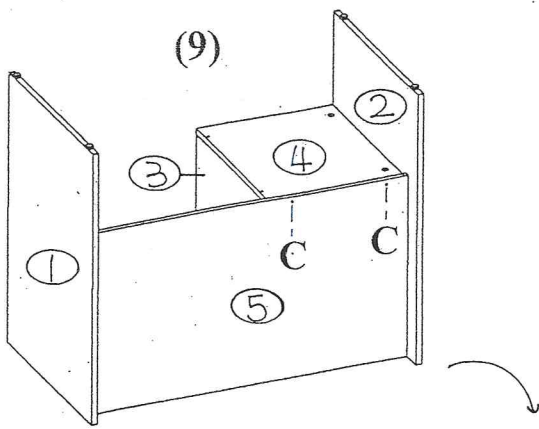
(5)



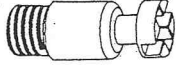

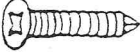
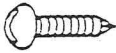



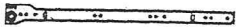

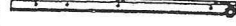
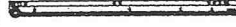


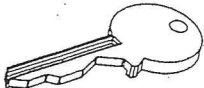
(6)



ITEM NO:
12108
12110



(11) OK

<b>A</b>	 39 m/m	22PS
<b>B</b>		22PS
<b>C</b>	 38 m/m	4PS
<b>D</b>	 34 m/m	12PS
<b>E</b>	 + GLUE 8m/m × 30m/m	6PS+1PS
<b>F</b>	 + 27 m/m 	3PS+6PS
<b>G</b>	     11 m/m	400m/m 3 PS (L) 3 PS (R) 3 PS (L) 3 PS (R) 36PS
<b>H</b>		4PS
<b>I</b>		1PS

ITEM NO:
12108
12110