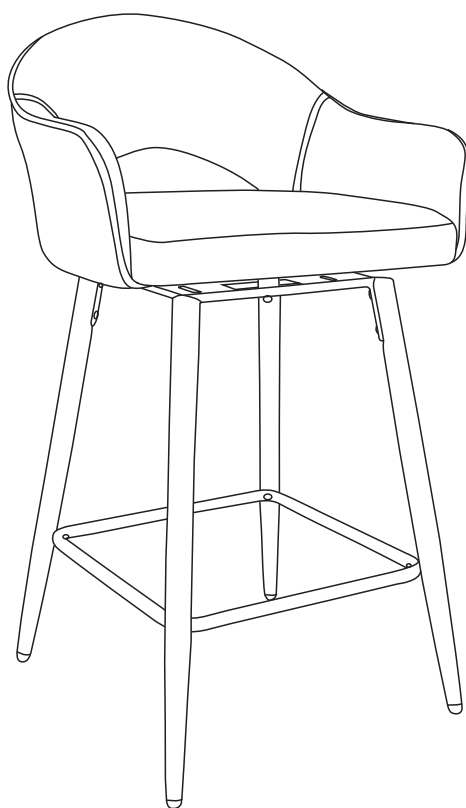



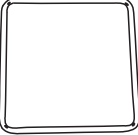
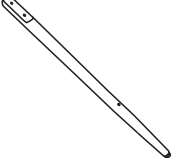


# ASSEMBLY INSTRUCTION





## Barstool



## ComponentList

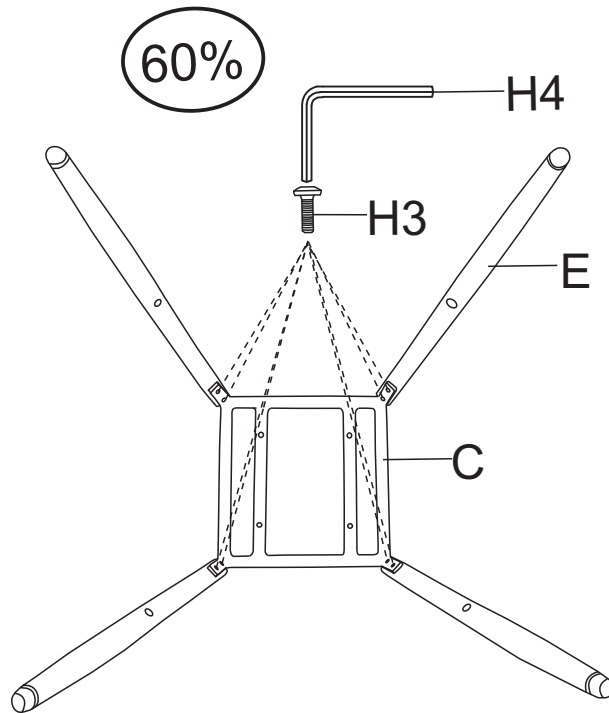
LABEL		DESCRIPTION	QTY
A		Chair Seat	1
B		Swivel	1
C		Base Frame	1
D		Stretcher	1
E		Leg frame	4

## HardwareList

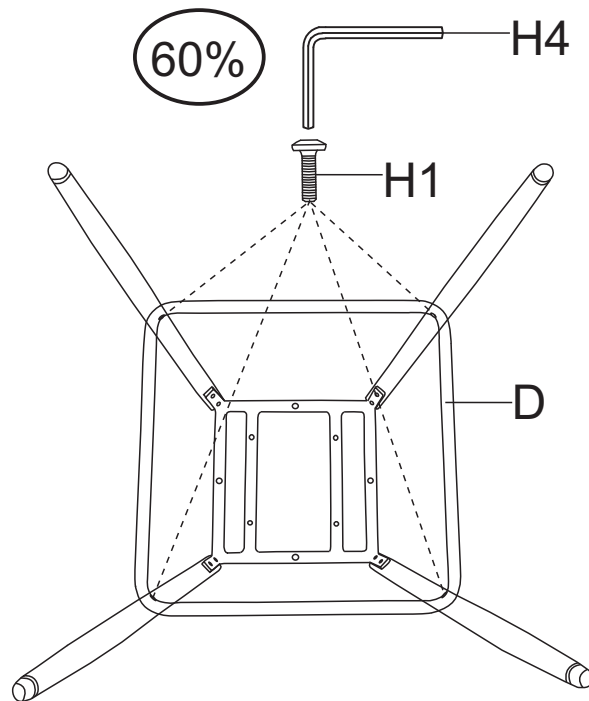
LABEL		DESCRIPTION	QTY
H1		Bolts M6*25MM	4
H2		Bolts M6*14MM	4
H3		Bolts M6*18MM	12
H4		Allen Key	1

# AssemblySteps

1

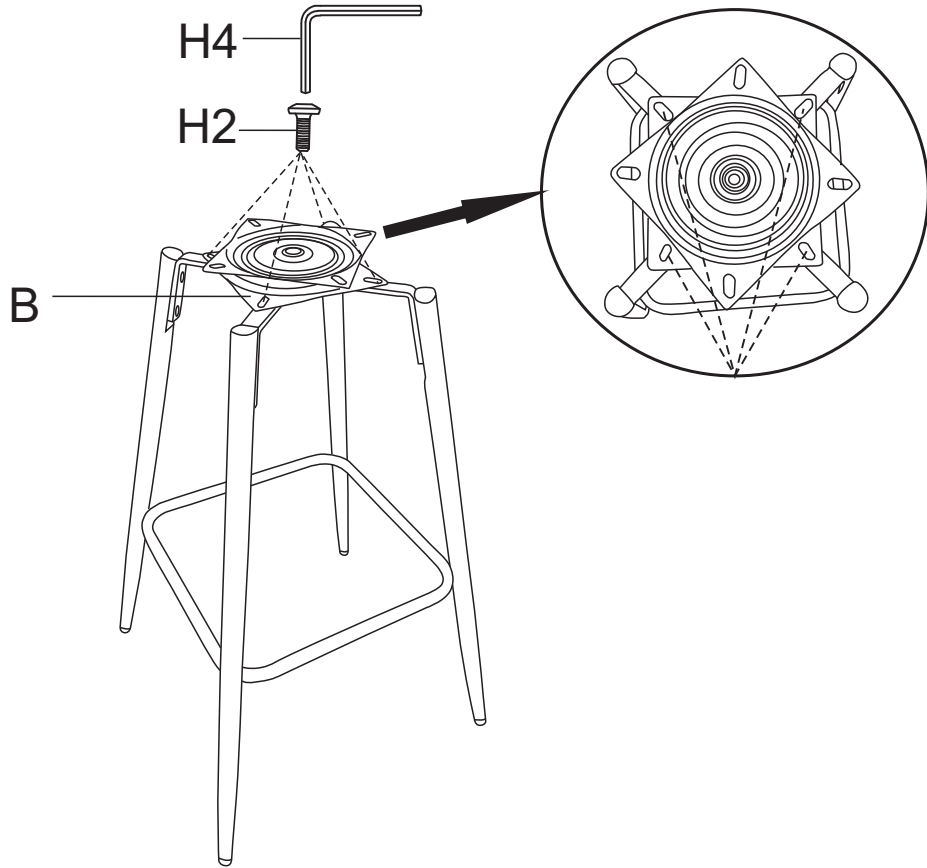


2

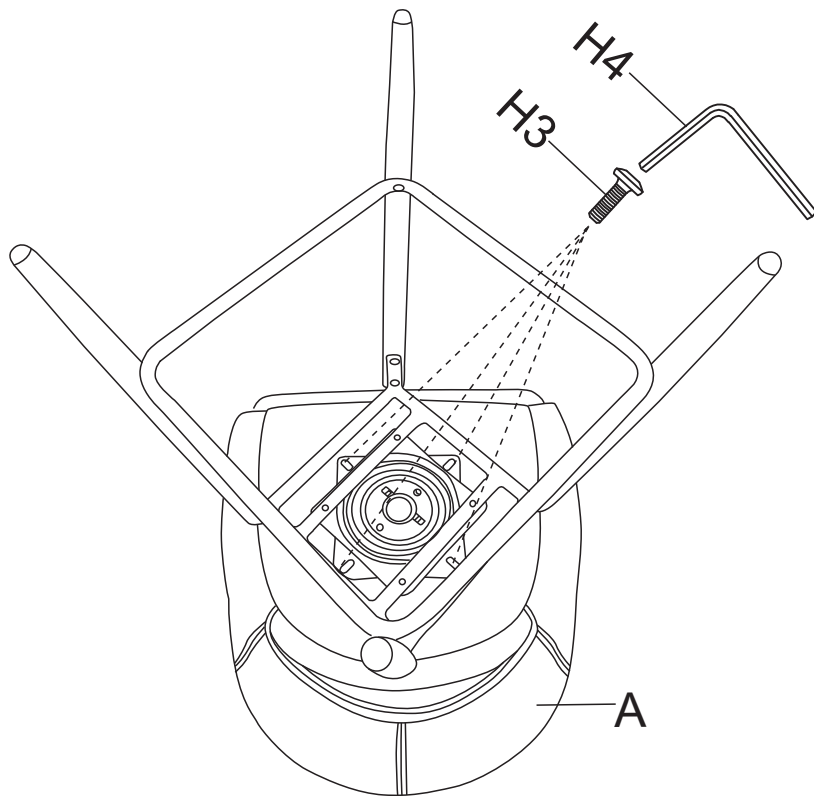


# AssemblySteps

3



4



# AssemblySteps

5

