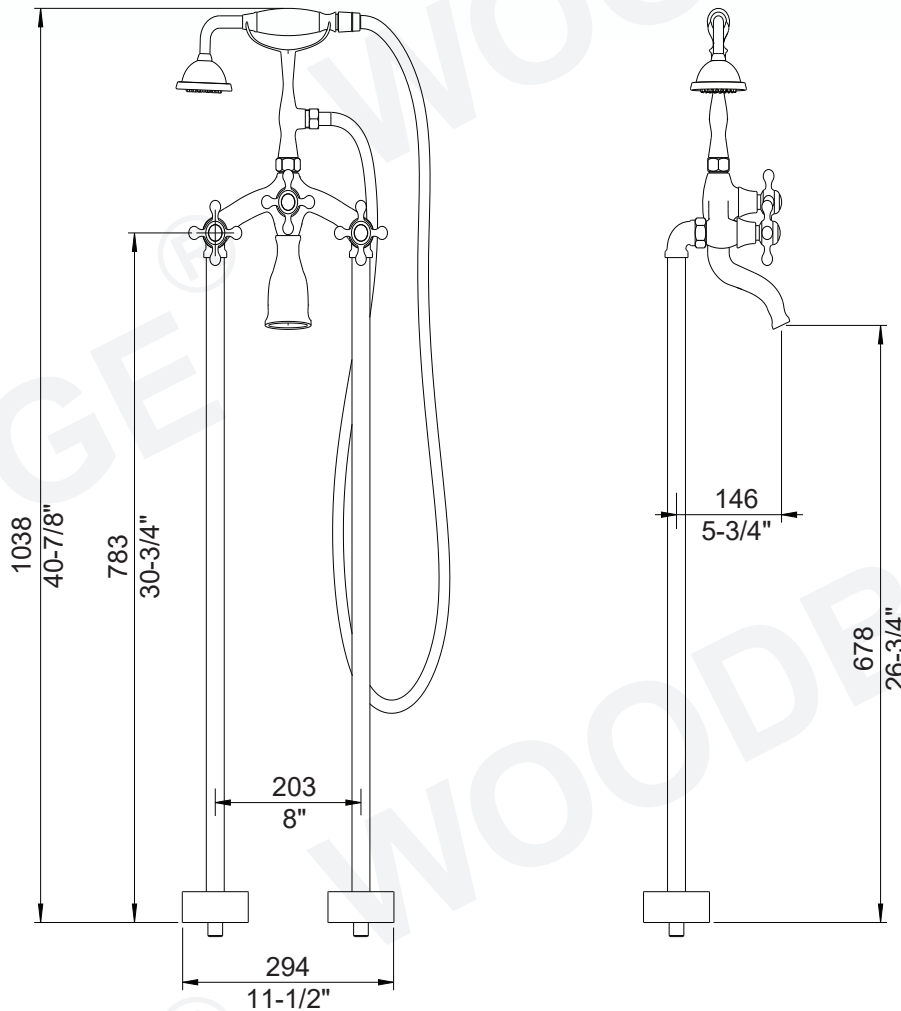


PREPARATION FOR INSTALLATION



ATTENTION! Dimensions may vary by up to 3/8". It is highly recommended to pull all dimensions of actual model for installation and measuring purposes.

ATTENTION! Measurements in inches are rounded to the nearest 1/8".

TECHNICAL DATA

Minimum flow rate 6.6 GPM at 60 PSI



SCAN ME

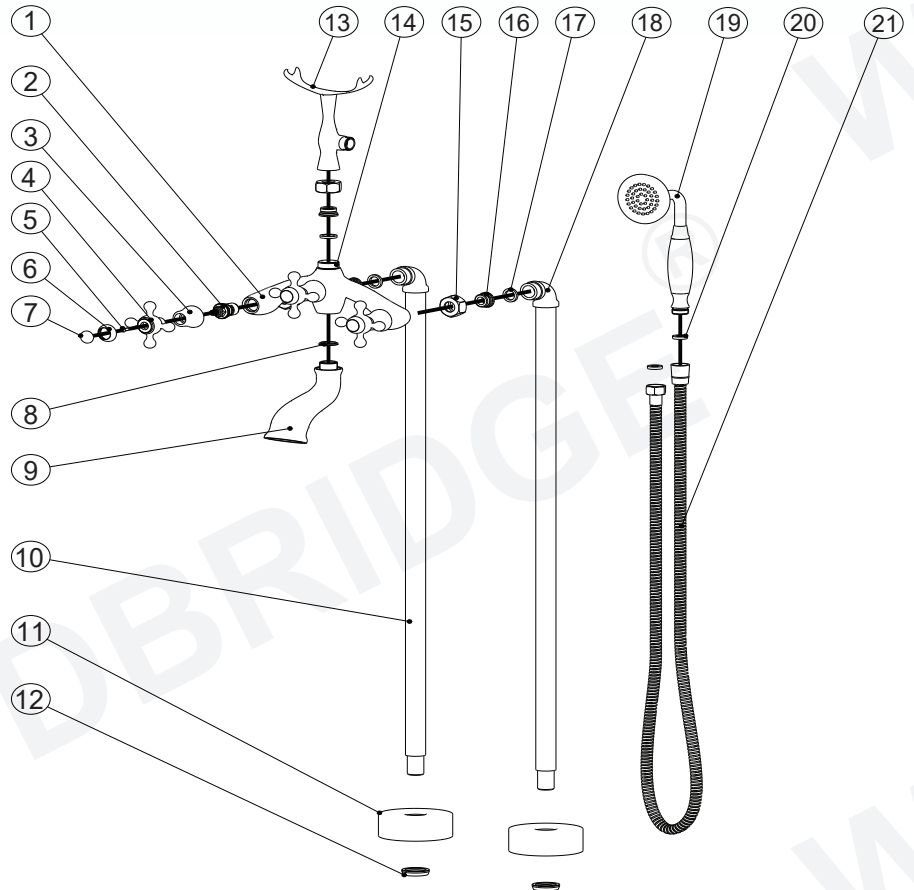
Customer Service Phone: 562-229-0088. (Monday - Friday 9 AM - 5 PM Pacific Time)

Or Email: help@woodbridgebath.com

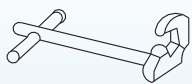
20210120 REV. 1

PARTS & COMPONENTS

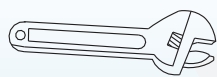
No.	Component
1	Faucet Body
2	Cartridge
3	Handle Base Cap
4	Handle
5	Screw
6	Canopy
7	Index Cap
8	Rubber Washer
9	Spout
10	Riser
11	Escutcheon
12	Washer
13	Shower Cradle
14	Connector
15	Hex Locknut
16	Connector
17	Washer
18	Union Adapter
19	Handshower
20	Washer
21	Handshower Hose



TOOLS REQUIRED FOR INSTALLATION



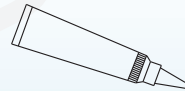
Basin Wrench



Adjustable Wrench



Teflon Tape



Silicone Sealant



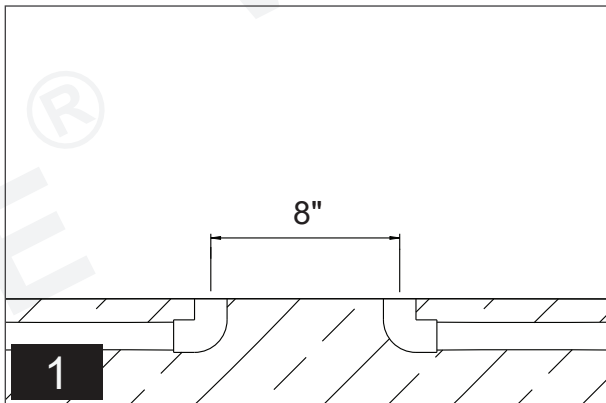
Screwdriver

OTHER TOOLS MAY BE REQUIRED

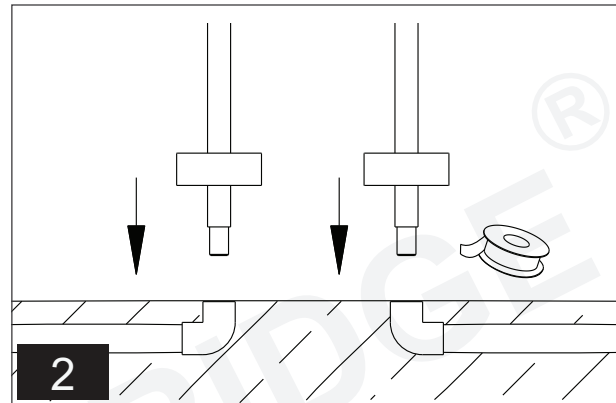
INSTALLATION INSTRUCTIONS

BEFORE BEGINNING INSTALLATION:

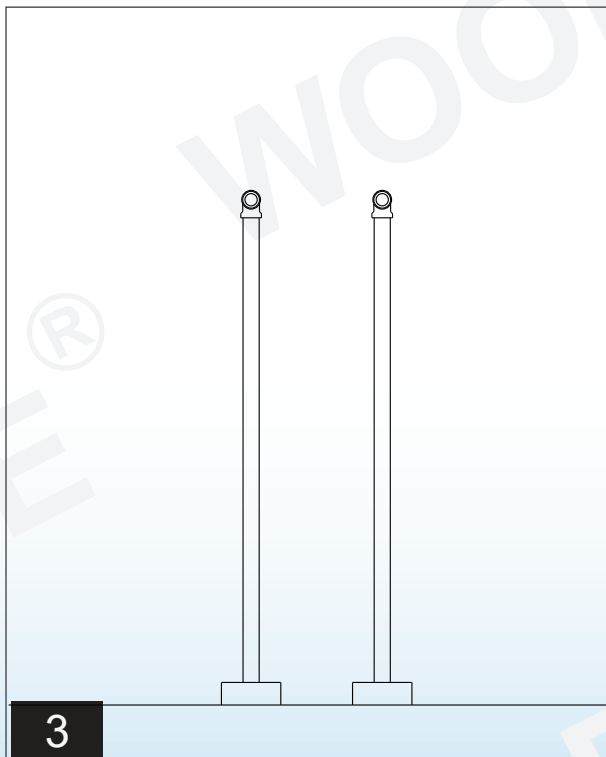
1. This faucet should be located away from traffic areas; impact both by foot traffic or floor cleaning equipment may damage the faucet and might cause a leak which result in water damage.
2. Please read this installation instruction throughhly, make sure that you have all the required tools and supplies needed to complete this installation.
3. Shut off both HOT and COLD water valve and main valve before installation.



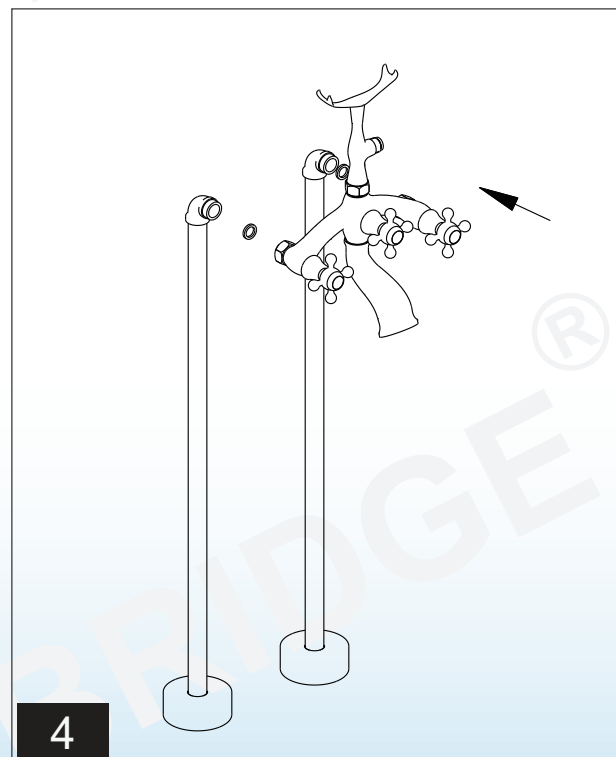
Install water inlet pipe under the floor and make sure the rough in is 8-inches between Hot and Cold water line.



Insert risers through escutcheon , apply 3 to 4 layers of teplon tape on all the threads, connect risers to water inlet from the floor, then align risers and union adapters are facing the tub.

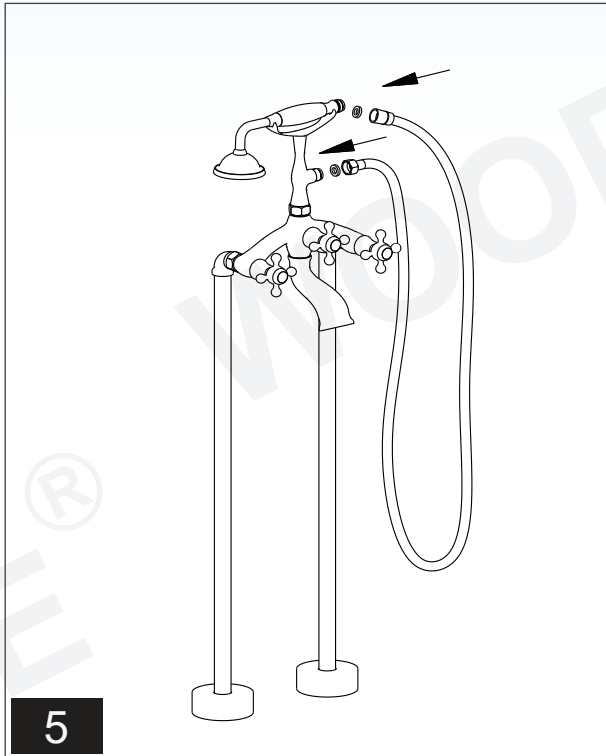


Gently slide down the escutcheon and flushed with the floor.

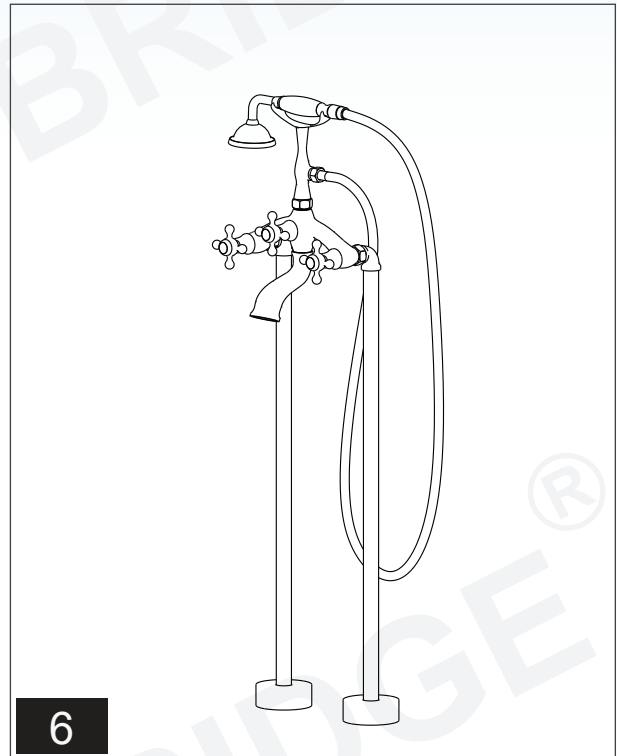


Place rubber washers onto faucet body joint and secure faucet body to riser, hand tighten the Joint, use wrench for adjustment.

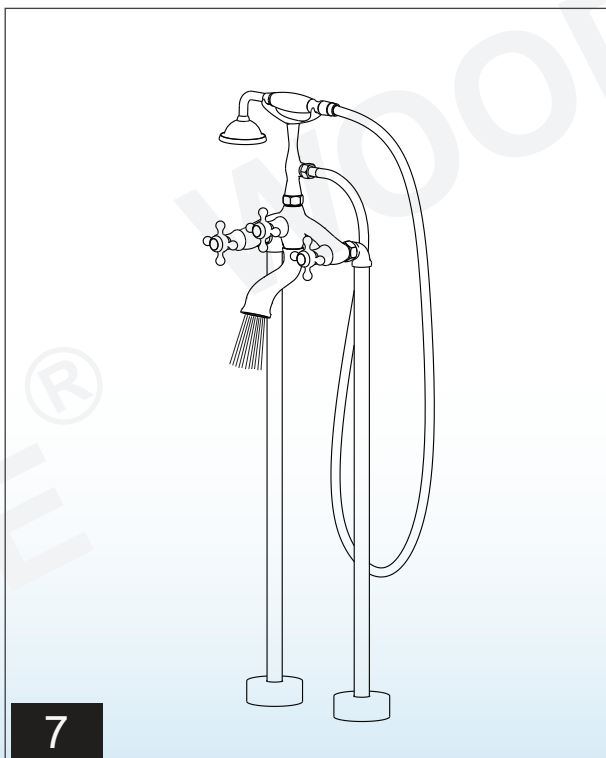
INSTALLATION INSTRUCTIONS



Place rubber washers onto both end of the handshower hose and connect one end of the hose to cradle and the other end to the handshower.



Turn on water supply valves and check for leaks, especially at all the supply line connections



Turn on the both Hot and Cold water valves on the faucet and let the water run for at least one minute to clear any debris from the supply line. Hold hand shower hose and switch the diverter in the middle to hand shower mode and perform the same procedure. Check for any leaks, use wrench to tighten if necessary.

WARNING!!!

- DO NOT LEAN ON, STEP ON OR USE THIS FAUCET AS A SUPPORT TO GET IN AND GET OUT FROM THE TUB.
- DO NOT OVERTIGHTEN ALL THE JOINT, IT MIGHT DAMAGE THE THREADS AND CAUSED LEAKS.