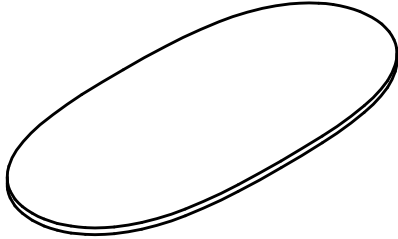
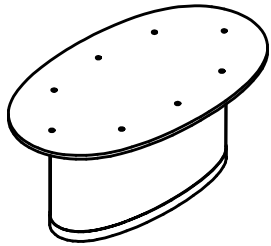


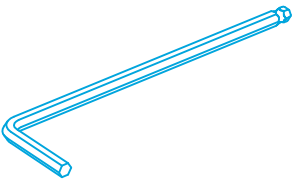
P1 Top (x 1)



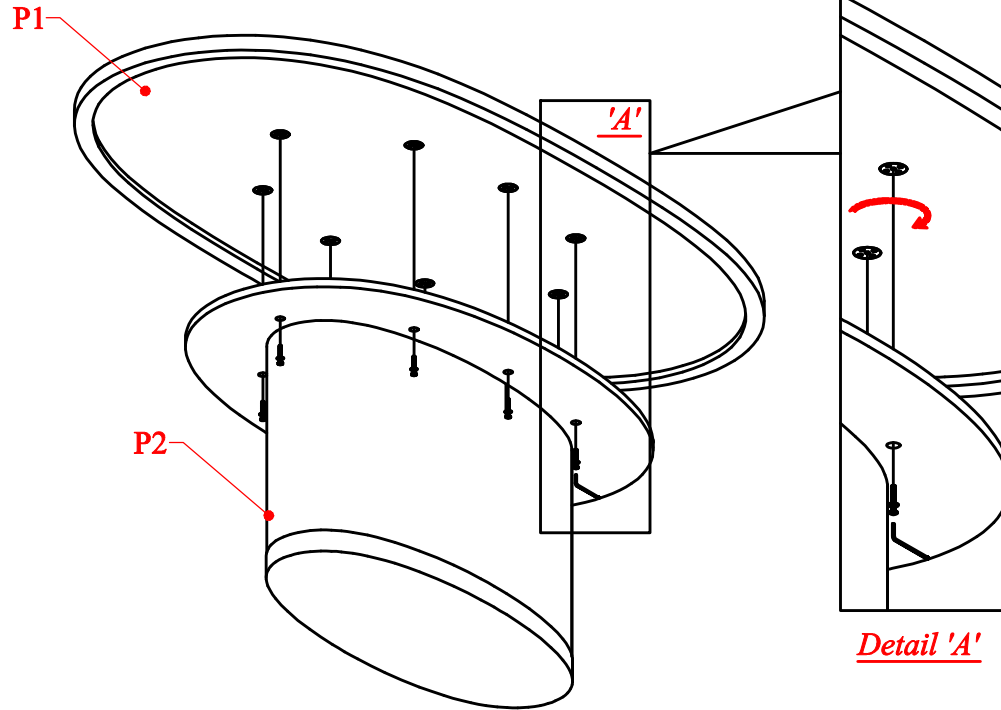
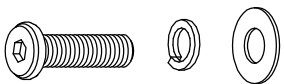
P2 Base (x 1)



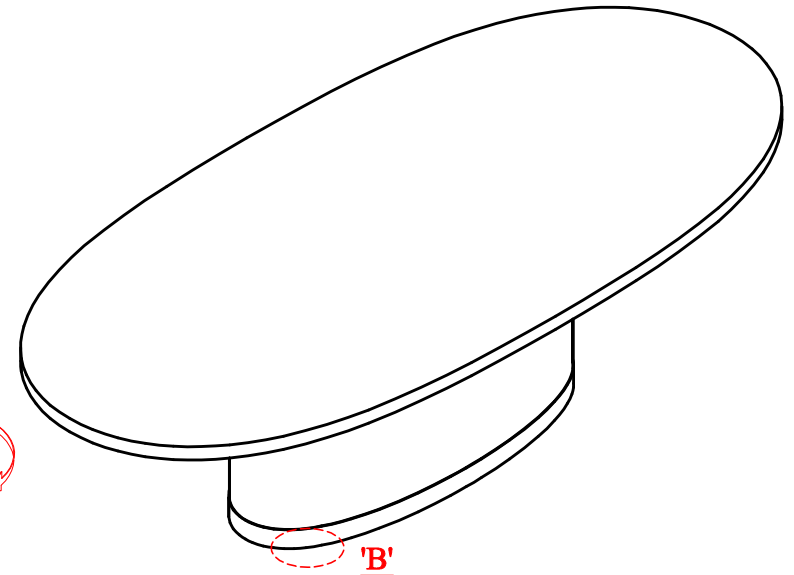
H1 Steel allen wrench (x 1)



H2 Steel allen bolt , washer & lock (x 8)



Detail 'A'



Detail 'B'

Adjustable glider

'B'