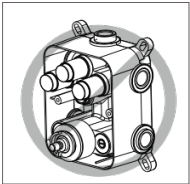


# INSTALLATION MANUAL

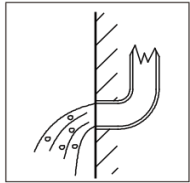


(SRSS126MB / SRSS126BG)

# 1. Installation precautions



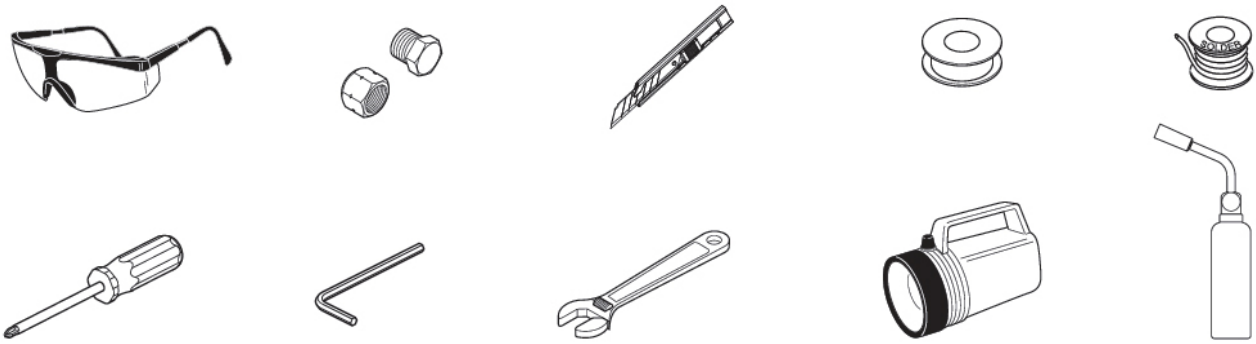
1. Check the accessories list to verify that all parts are complete in this package.
2. Do not disassemble the main body by yourself.
3. Connect the inlet pipes to the supply valves.
4. Make sure the inlet pipes and supply valves are free of impurities, and the pipeline is clean.



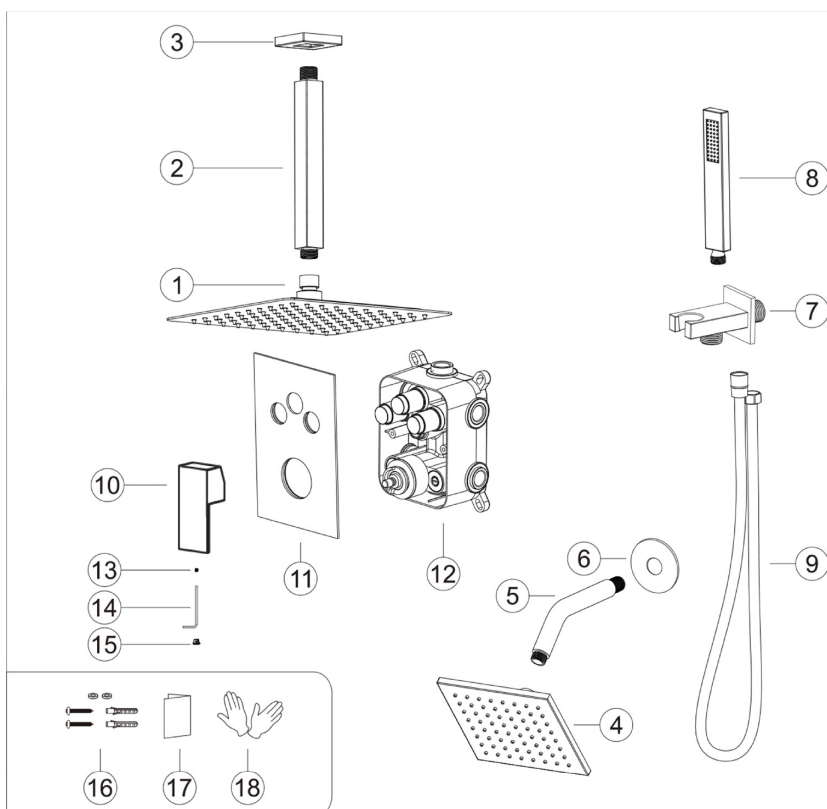
5. After installation, check all joints for leakages.
6. Do not leave the rain shower system exposed to a severely corrosive environment.

# 2. Preparation before installations

## TOOLS NEEDED:



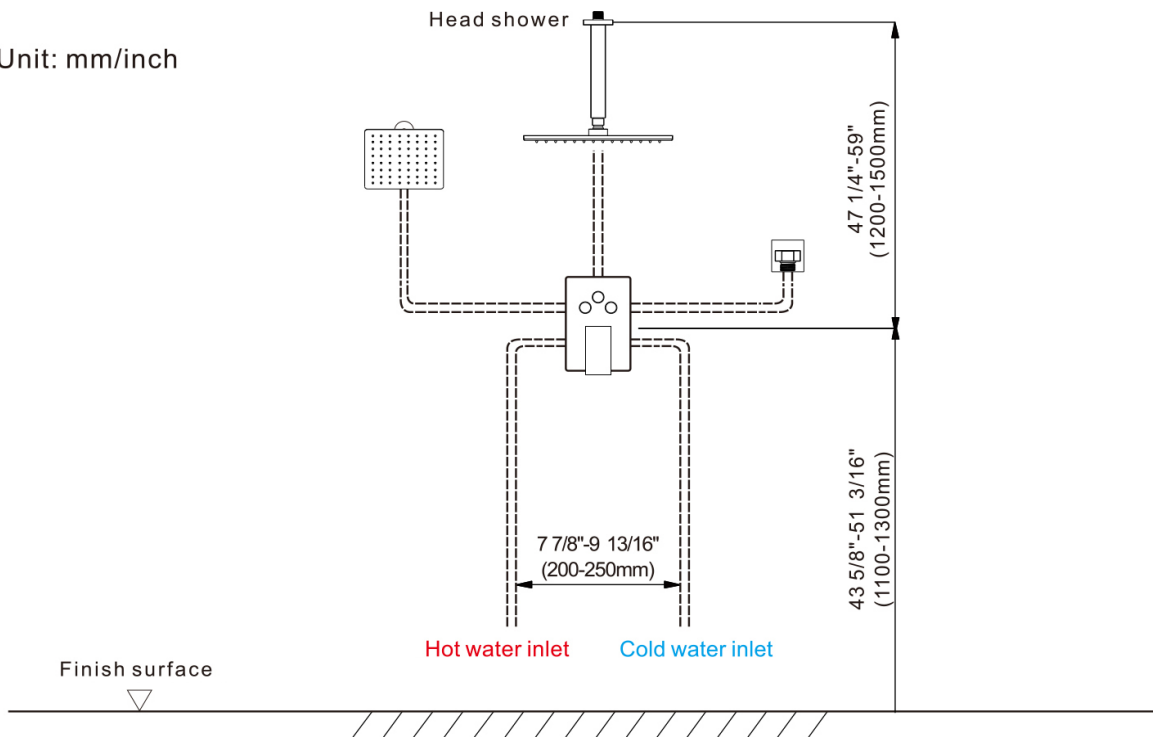
# 3. Concealed faucet accessories list



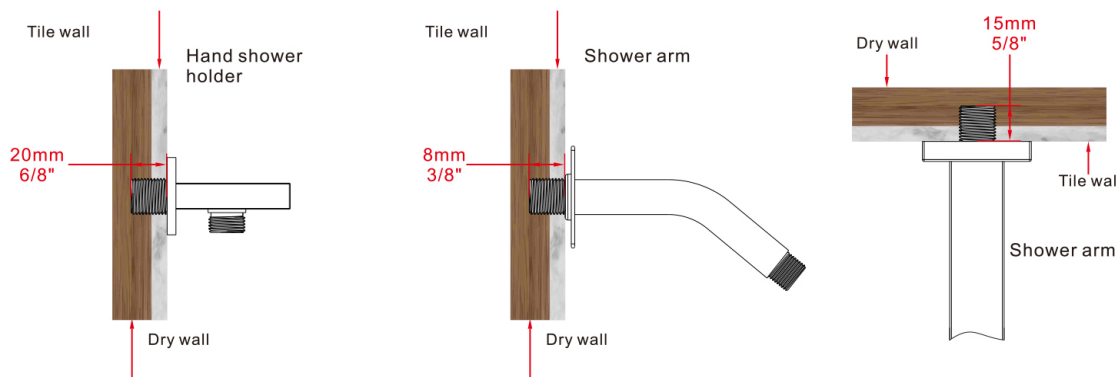
NO.	Part name	Qty
1	Head shower	1
2	Shower arm	1
3	Shower arm escutcheon	1
4	6 in head shower	1
5	Shower arm	1
6	Shower arm cover	1
7	Hand shower holder	1
8	Hand shower	1
9	Shower hose	1
10	Handle	1
11	Deck plate	1
12	Main body	1
13	Handle screw	1
14	Hex wrench	1
15	Handle cap	1
16	Main body spare parts	4
17	Instruction manual	1
18	Gloves	2

# Essential dimensions & water pipe line

Unit: mm/inch



## The installation depth of shower holder



The thickness of the tile must be calculated for installation.

Connector size of male thread: USA: 1/2\"-14NPT, Canada: 1/2\"-14NPT, Europe: G1/2\"

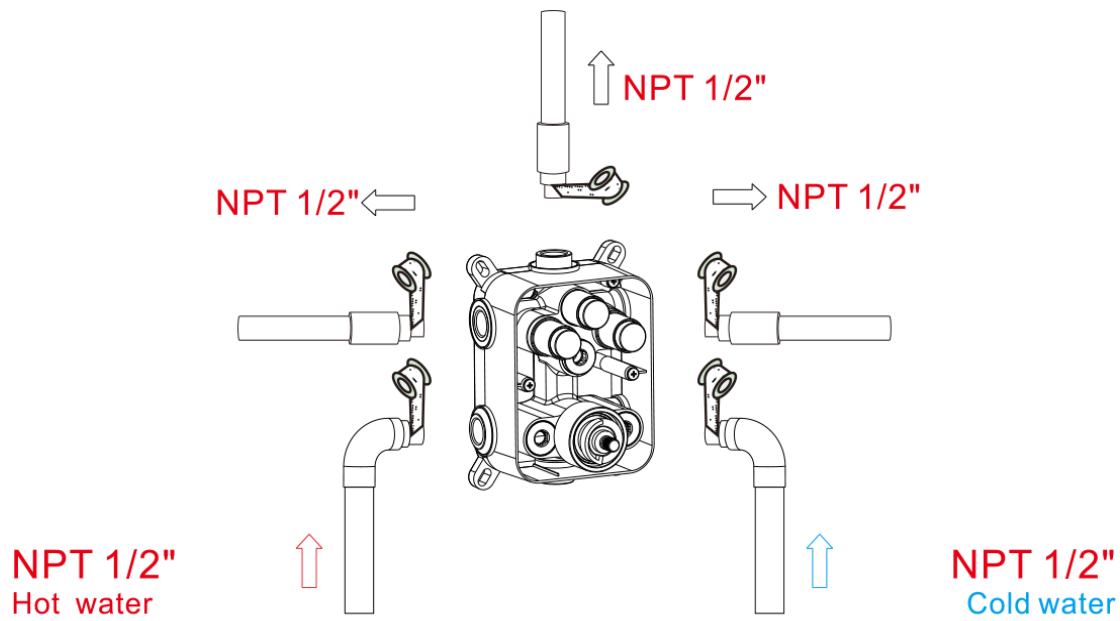
## Installation Depth of Main Body



All button can be turned on at the same time and they could be turned on separately too.

- Notice:**
1. The installation depth of the main body should be no less than 2 3/4" (70mm) and no more than 3 1/4" (82mm), including the thickness of the tile. Otherwise, the deck plate cannot be installed.
  2. The opening size of ceramic tile shall be smaller than the deck plate size too.

# Piping Instructions Before Tiling

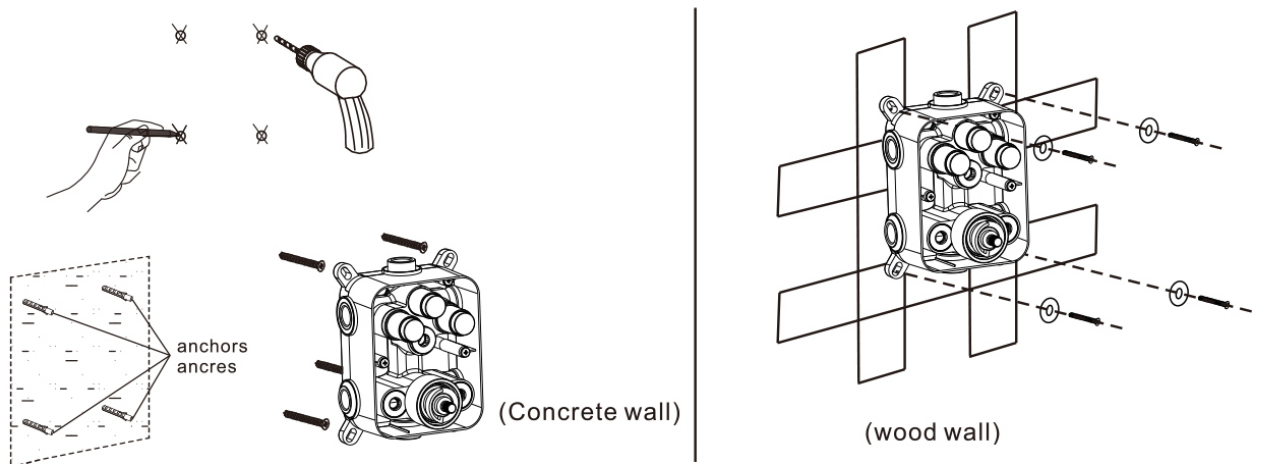


1. As shown in the figure, the inlet and outlet pipes are pre-buried. Please pay attention to the correct direction when installing the pre-buried main body.
2. Before tiling, turn on the water to test whether the left and right inlet pipes are tightly connected without leakage. Then, adjust the flow switch to the "on" position to check for leaks in the mixed outlet pipes.

---

## Main Valve Body Installation

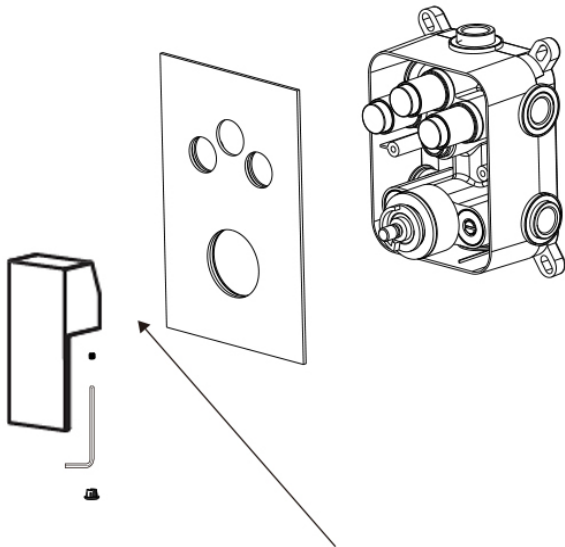
### Step 1



1. Make marks according to the size of the main valve body, and then drill anchors into the wall (concrete wall).
2. Lock the main body to wood directly with screws (wood wall).
3. When installing the main body, please mark the UP side up and do not install it upside down.

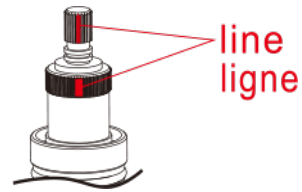
Please note that the level meter should be parallel to the wall, otherwise, the deck plate cannot be installed.

## Step2



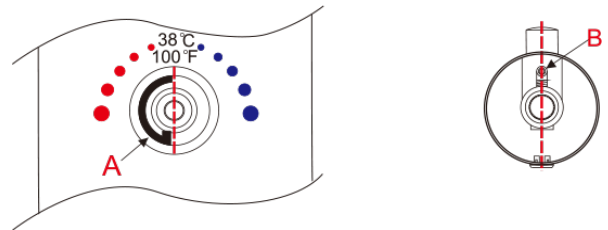
### Precautions for Handle Installation

1.The line can't be misplaced; it should be kept in line.Otherwise the water temperature of 100°F or 38°will not be correct.



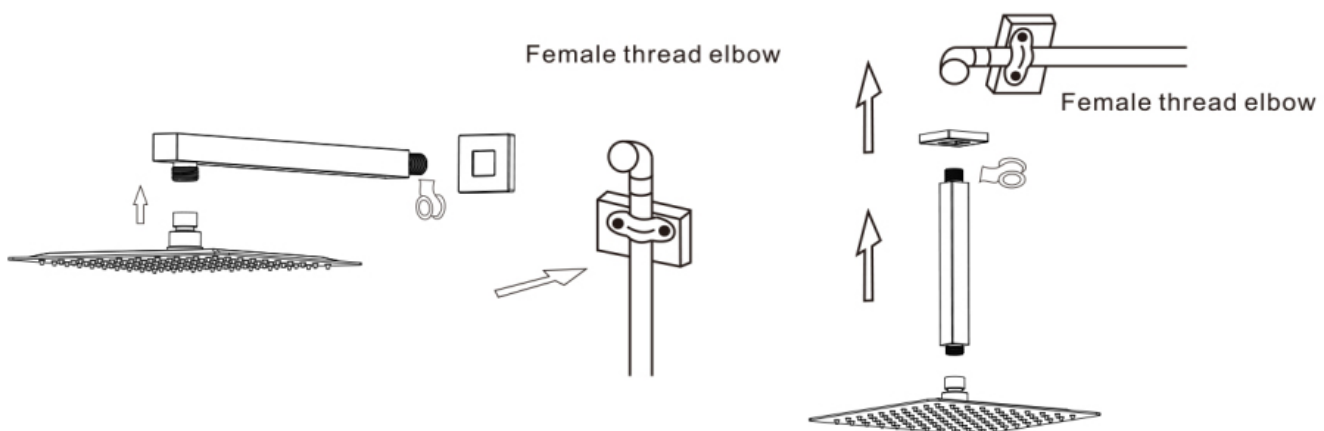
2.Please ensure that the plastic locating ring (A) and handle locatingpin (B)are keptin the sameline with 100°F or 38°C.Otherwise,the water temperature will be incorrect.

Do not remove the white wear ring; otherwise, the handle will be damaged.  
Waterflow control:clockwise Turn-down and stop , anti-clockwiseTurn-up to max.



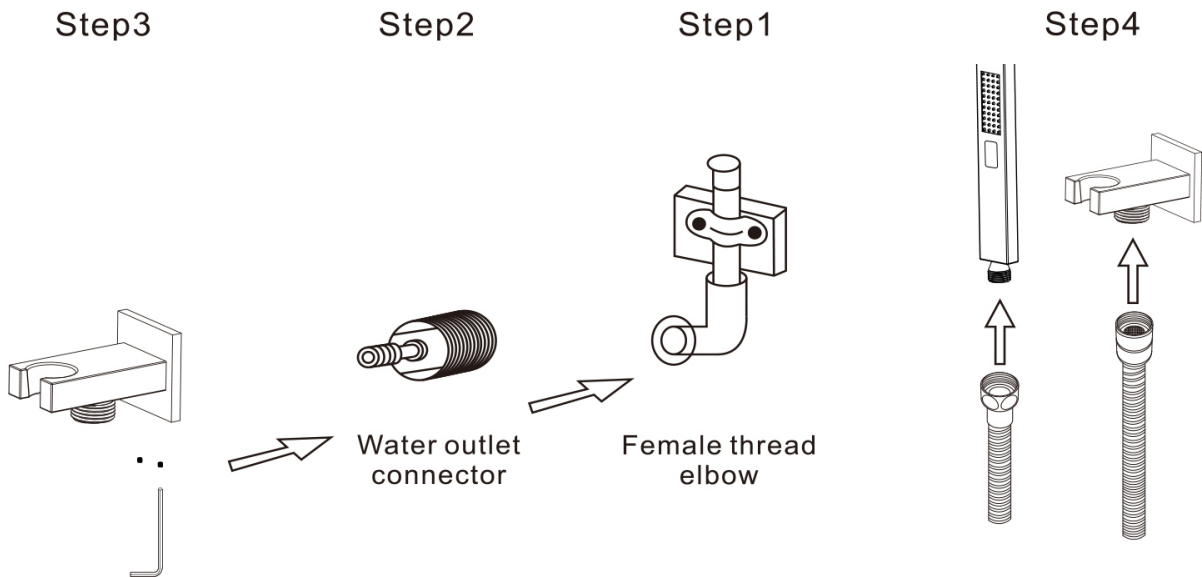
- 1.Please install the deck plate, water diverters, and water diverter rods step by step.
- 2.Install the handle with the screw and handle cap.

## Installation of the Head Shower Holder



- 1.Connect shower arm with the cover before screwing arm into riser connection to prevent damage.
- 2.Fix shower head onto shower arm and apply tape to pipe threads on both ends.
- 3.Do not overtighten shower head.It is 360°swivel connection.

# Installation the Hand Shower Holder



Step1.Screw the thread into the water pipe inside the wall.

Step2.Screw the main body into the thread.

Step3.Rotate and fix the body with the special-shaped wrench.

Step4.Connect hand shower and the hose.

## 4.Product reparation

If the cartridge is worn out which cause leakage, please turn off the water source. Remove the handle, panel, and decorative cover in sequence, remove the gland with a wrench, then take out the cartridge and copper sleeve. Repair or replace the new cartridge, then install it again in sequence.

## 5.Clearance and maintenance

In order to keep the faucet appearance smooth and good performance, please follow the below steps to clean and maintain the shower faucet.

1. Clean with water and dry with a soft cotton cloth.
2. Use a mild liquid and a colorless glass cleaner to remove surface dirt and scale, also you can use the cleaner without grinding function.
3. Do not use detergents, polishing tools, abrasive cloth, paper towels or scrapers to clean the shower faucet.
4. Do not use acid cleaners, insoluble granular detergents, soaps etc to clean the shower faucet.

## **Lifetime Limited Warranty**

This warranty is applicable to the original purchaser and covers defects in material or manufacturing workmanship, proof of purchase will be required in the case of a claim.

We recommend installation by a licensed professional plumber. We are not responsible for any damage or product failure caused by improper installation, misuse or failure to use a licensed professional.

## **Warranty Service Note**

When requesting warranty, be sure to have the following:

- Copy of original invoice
- Date of installation
- Description and pictures of defect
- Model number or description of model

To obtain warranty service and replacement part, please contact Customer Service Team. We will determine whether to replace your product or issue a refund.