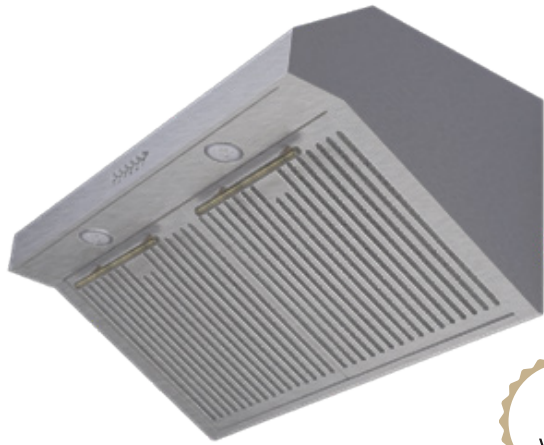


30" Bari Espresso Under Cabinet Range Hood

Model: FRHUC5255-30



FEATURES AND BENEFITS

1. Quiet, Powerful Squirrel Cage 4 Speed AC Motor, with 400CFM of Airflow
2. New Commercial Inclined Design, allowing it to capture efficiently more grease and odors.
3. Large Push Button Controls.
4. 2x LED GU10 5W Lights with 600 lumens.
5. Hybrid filter (Baffle & Mesh filter) for Better Grease Control.
6. Comes with 2 sets of handles. You have a choice of colors. Stainless Steel or Antique Brass

Can be installed as a low profile Wall Mount or Under-Cabinet

APPEARANCE

Size	30"
Style design	Under cabinet hoods
Unit Color	Stainless steel
Ventilation Type	Roof vent

FEATURES

Control type	Push buttons
Number of Hood filters	2
Hood Filter type	Commercial hybrid filter (Baffle & Mesh filter)
Light Type	LED Bulb (gu10)
Number of Lights	2
Damper	1
Number of Ducts	1
Handles	Yes
Handle Color	Choice of Stainless steel or Antique-brass

CAPACITY

# Speed levels	4	
CFM (cubic feet per minute)	Level 1	220 CFM
	Level 2	305 CFM
	Level 3	346 CFM
	Level 4	424 CFM
Air flow	Level 1	370 m3/hr
	Level 2	518 m3/hr
	Level 3	588 m3/hr
	Level 4	672 m3/hr
RPM (Revolutions Per Minute)	Level 1	900
	Level 2	1310
	Level 3	1450
	Level 4	1650
Noise Level at each speed	Level 1	54.6 dB
	Level 2	61.8 dB
	Level 3	64.1 dB
	Level 4	66.6 dB
Full Size	W: 30"	
	D: 16 17/32"	
	H: 12 3/4"	
Duct Shape	Circular	
Duct Size	6"	

TECHNICAL SPECIFICATIONS

Electrical supply	110~120V/60Hz
Power connection	no plug
Power rating	310 W
Certification	ETL
Warranty	1 Year Limited
Packaging dimensions (Inch)	33.27x17.52x21.18
Weight (lbs)	24.4/31.2

ACCESSORIES INCLUDED

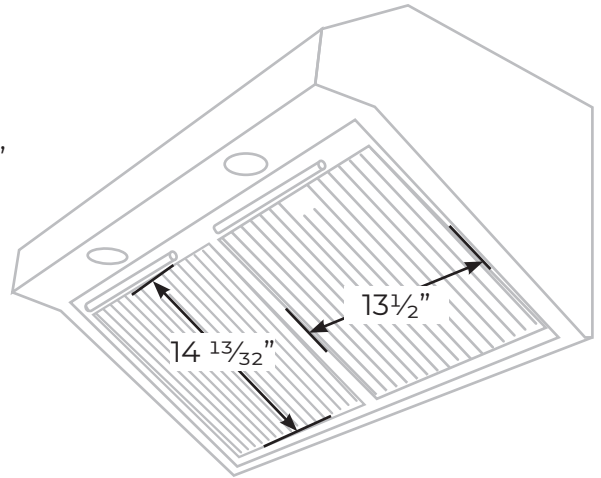
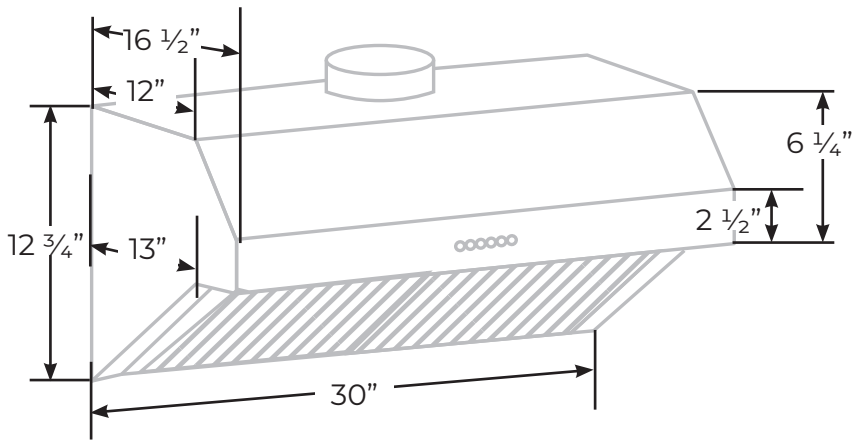


Stainless steel handle



Antique brass handle

PRODUCT DIMENSION



CUTOUT DIMENSION:

