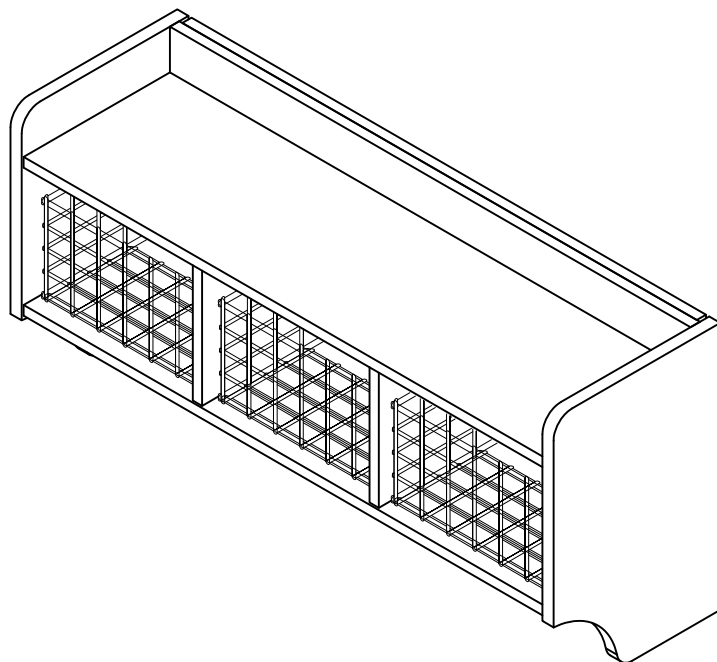
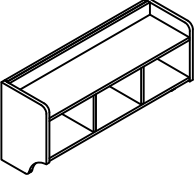
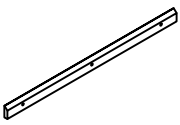


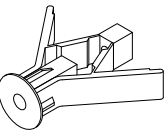

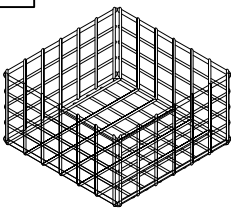
Entryway Shelf



PART LIST

<div data-bbox="97 145 151 197" data-label="Text">A</div> 	<div data-bbox="373 145 427 197" data-label="Text">B</div> 
<div data-bbox="124 448 343 488" data-label="Text">Entryway Shelf</div> <div data-bbox="207 521 287 560" data-label="Text">1 PC</div>	<div data-bbox="422 448 614 488" data-label="Text">Support Plate</div> <div data-bbox="478 521 558 560" data-label="Text">1 PC</div>

HARDWARE LIST

<div data-bbox="97 721 151 772" data-label="Text">#1</div> 	<div data-bbox="373 721 427 772" data-label="Text">#2</div>  <div data-bbox="438 974 582 1019" data-label="Text">D8*1-1/2"</div>	<div data-bbox="655 721 710 772" data-label="Text">#3</div> 
<div data-bbox="151 1041 343 1120" data-label="Text">Wall Anchor 3 PCS</div>	<div data-bbox="454 1041 558 1120" data-label="Text">Screw 3 PCS</div>	<div data-bbox="710 1041 909 1120" data-label="Text">Metal Basket 3 PCS</div>

ADDITIONAL TOOLS (Not Provided)

Note: It is not recommended to use power tools during assembly.



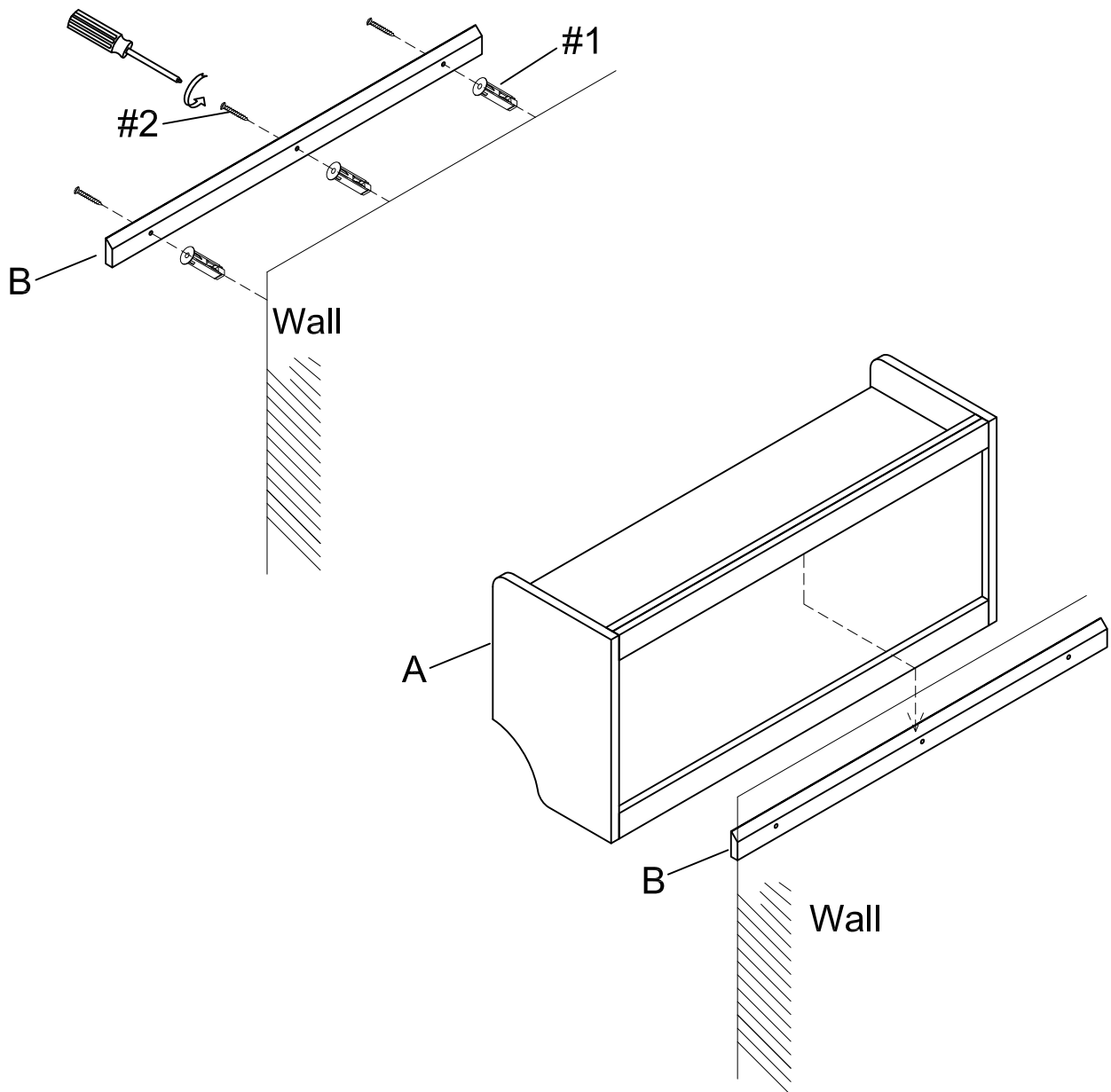
Phillips Head Screwdriver


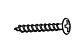
Step 1. Hold support plate (part B) in the desired location of entryway shelf. The support plate (part B) will be about 2" lower than the top of entryway shelf. Making sure support plate (part B) is leveled, use a pencil to mark wall anchors locations using the support plate (part B) screw holes as a guide. We recommend using a leveler to make sure support plate (part B) is oriented correctly.

Drill three 11/32" holes in these marked spots and tap wall anchors (part #1) into the drilled holes.

Secure support plate (part B) to wall anchors (part #1) using screws (part #2).

Mount entryway shelf (part A) onto support plate (part B). The back of entryway shelf (part A) has a recessed area that will hook on the support plate (part B).



- #1  x 3
- #2  x 3

Step 2. Insert metal baskets (part #3) into entryway shelf (part A).

