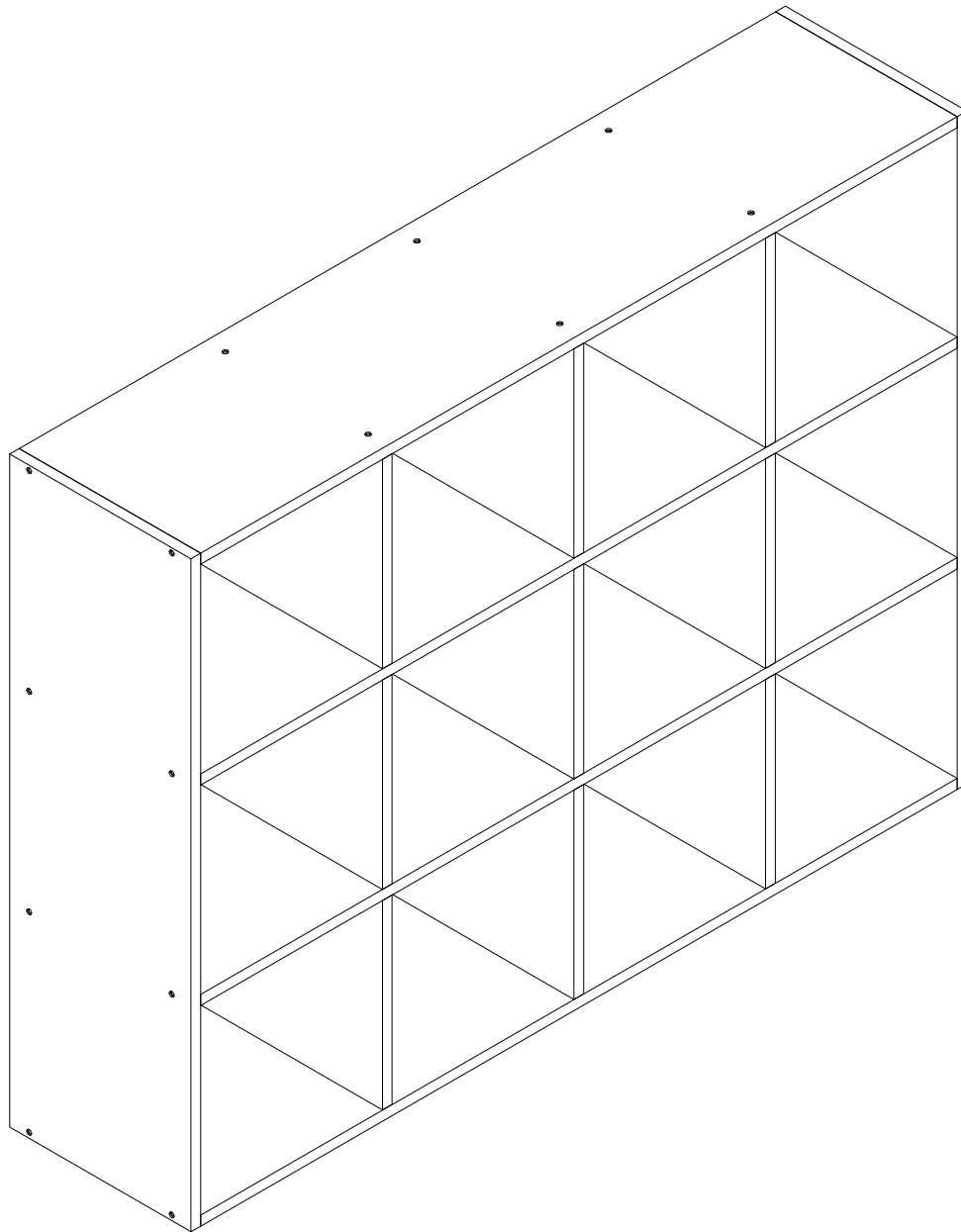


**INSTALLATION INSTRUCTIONS**  
**AND MAINTENANCE MANUAL**

# INSTALLATION INSTRUCTIONS



# INSTALLATION INSTRUCTIONS

## INDEX

	<b>Content</b>	<b>Slide number</b>
1	Warning & Before beginning	3 - 4
2	Frame unit parts list the cabinet body	5
3	Instructions for assembling cabinet body	6 - 12

# INSTALLATION INSTRUCTIONS



## **WARNING**

- This unit contains small parts which could be a choking hazard for small children. Children should be under adult supervision at all times or serious injury could occur.
- Always unload unit and raise adjustable feet prior to moving the unit. The weight of personal belongings can cause the unit to become unstable and either tip or collapse. Serious bodily injury and/or damage to personal belongings may occur.
- Do not overload unit. If any shelf, top, or bottom of unit bows or bends, it is overloaded. The shelf, top, or bottom could collapse and cause serious bodily injury and/ or damage to personal belongings.
- Do not climb or step on the unit. The unit may become unstable and either tip or collapse. Serious bodily injury and/or damage to personal belongings may occur.
- Do not mount or attach anything to the sides, rear or front of the unit (unless indicated in instructions) as this can cause the unit to tip. Serious bodily injury and/or damage to personal belongings may occur.
- Do not stack units. Stacking of units can cause an unsafe tip-over hazard which may cause serious bodily injury and/or damage to personal belongings.
- Do not hang this unit on the wall. The product structure is not designed for wall hanging. Serious bodily injury, damage to personal belongings, and/ or damage to the wall may occur.
- All units must be secured individually to wall stud using L-Brackets and Wall Screws provided. Hardware included is for use in wood studs only. If wall stud is not accessible or is made of a different material, consult your local hardware store for appropriate mounting hardware. Failure to do so may create an unsafe tipping hazard that could lead to serious bodily injury and/or damage to personal belongings.
- Follow proper safety procedures when using power tools and ladders (when applicable).
- We recommend protecting your work surface during assembly to prevent scratching or damage to product, table tops, wood floors, etc.
- Lift unit when moving. Failure to do so may damage floor or product.

# INSTALLATION INSTRUCTIONS

## BEFORE BEGINNING

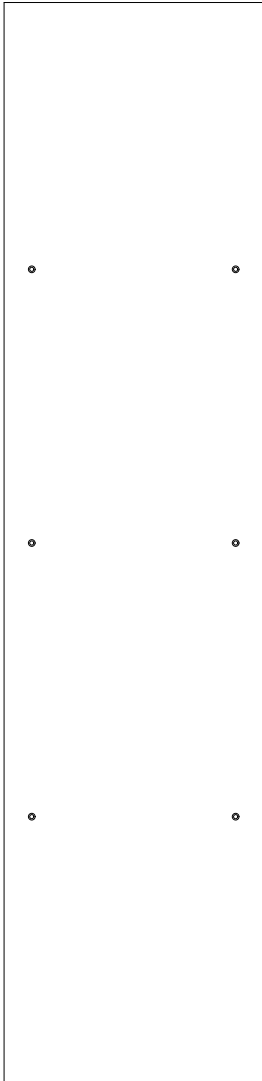
- Please read all instructions carefully.
- Familiarize yourself with all parts (see "PARTS") and check quantities.
- Follow all safety precautions (see "SAFETY PRECAUTIONS").

### Items you will need to provide for assembly:

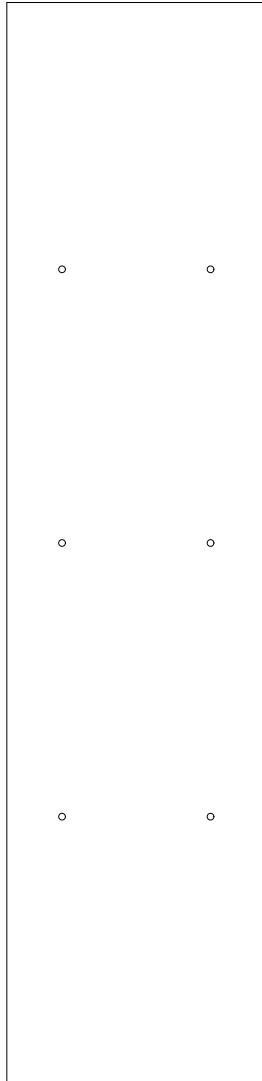


# PART LIST

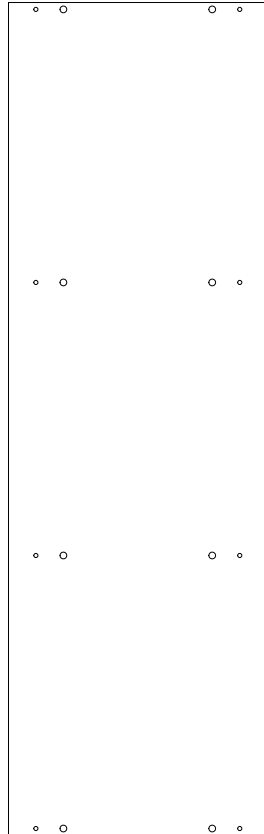
**1**



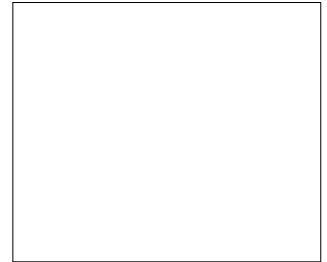
**2**



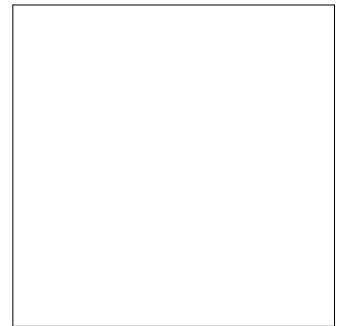
**3**



**4**



**5**



- 1 Roof + bottom panel (Qty 2)
- 2 Bar stands in the middle (Qty 2)
- 3 Left body + Right body panel (Qty 2)
- 4 Fixed shelves (Qty 9)
- 5 Back panel (Qty 4)



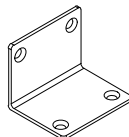
**A**



**B**



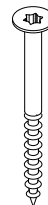
**C**



**D**



**E**



**F**



**G**



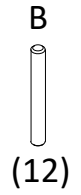
**H**

- A** 1 - 1/5" Wood Dowel (Qty 28)
- B** 2 - 1/3" Wood Dowel (Qty 12)
- C** Screw 1 - 1/5" + Cover cap (Qty 28)
- D** Square hinge (Qty 2)

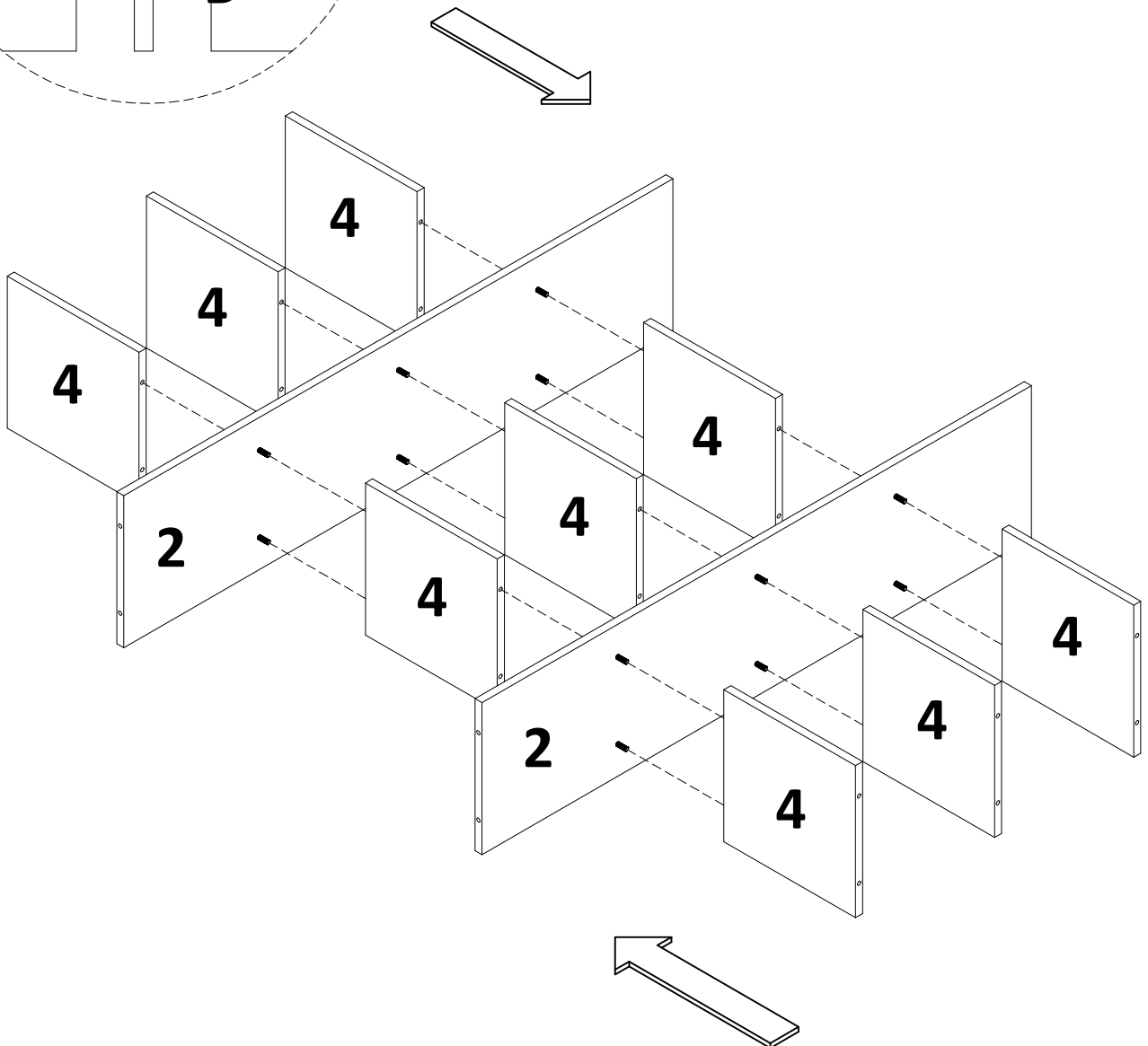
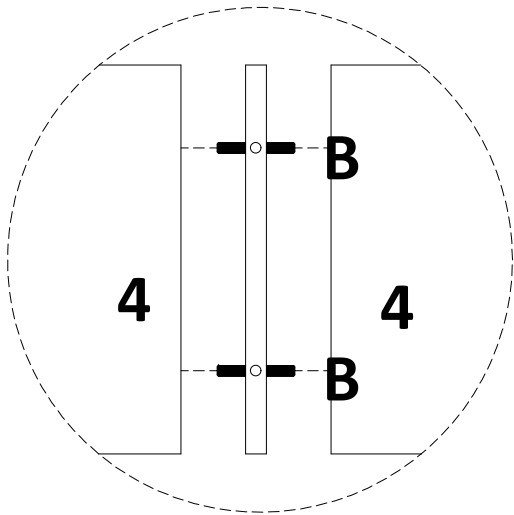
- E** 3/5" Flat Head Screw (Qty 4)
- F** 3 - 1/6" Screw (Qty 4)
- G** Plastic anchor (Qty 4)
- H** Mild Steel Wire Nail 3/5" (Qty 32)

# FRAME UNIT ASSEMBLY

# 1



Use 2 - 1/3" wood dowels (B) to attach to bar stands in the middle (2), then attach 9 fixed shelves (4) to the 2 bar stands in the middle (2).



# FRAME UNIT ASSEMBLY

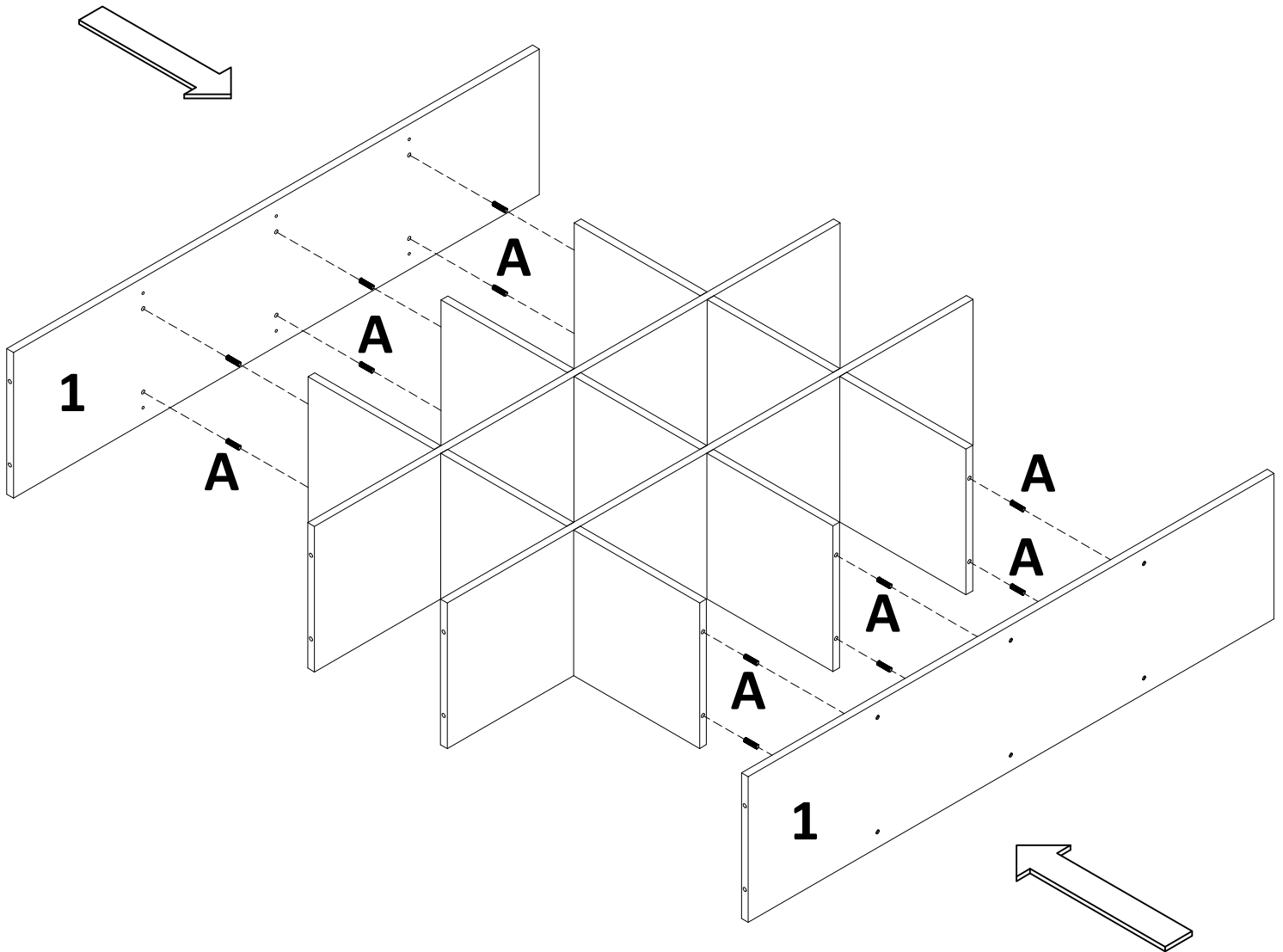
# 2

A



(12)

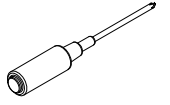
Use 1 - 1/5" wood dowels (A) to attach to the 2 top + bottom panel (1), then attach the 2 top + bottom panel (1) to the 2 sides of the shelf (4).



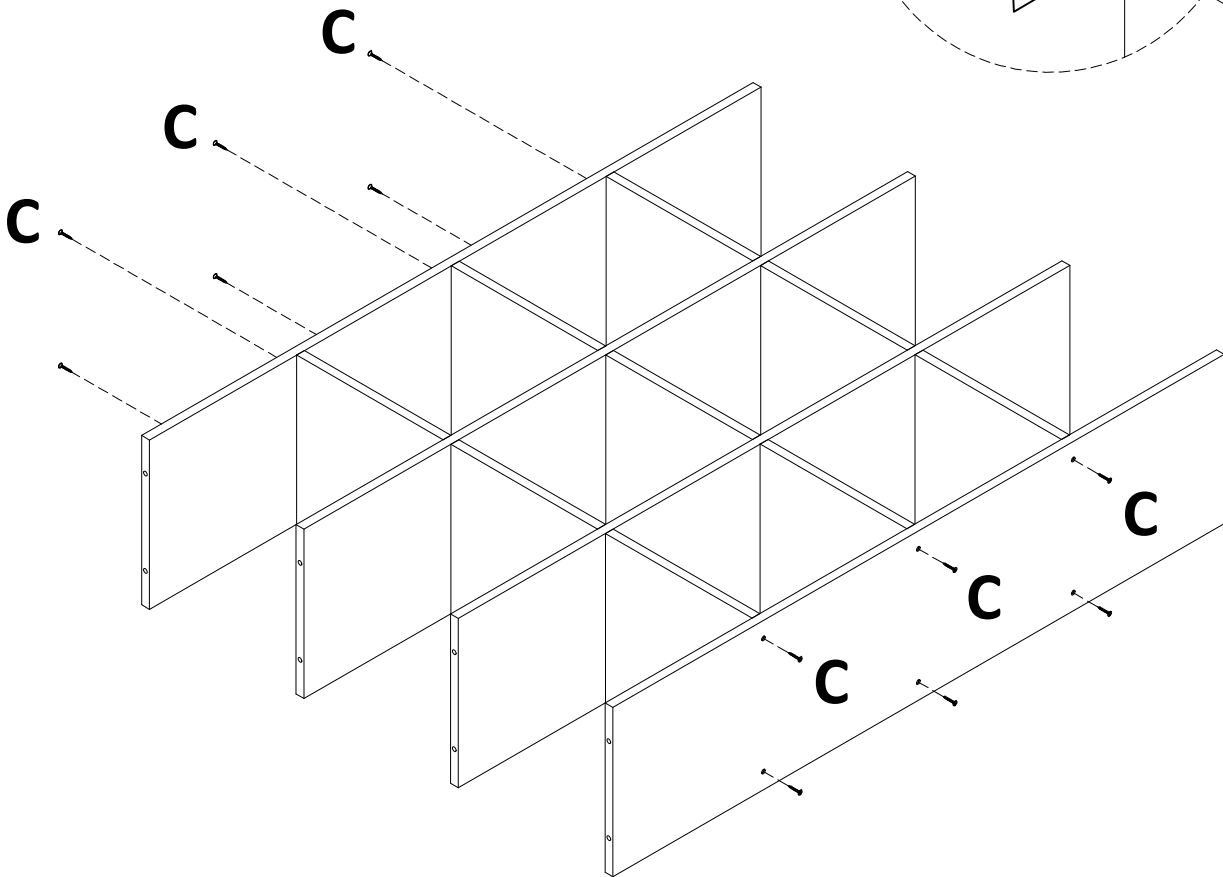
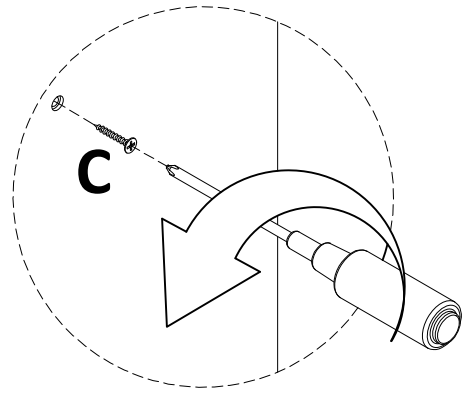
# FRAME UNIT ASSEMBLY

# 3

C  
(12)



Use Screw 1 - 1/5" + Cover cap (C) to connect the 2 roof and bottom panel (1) to the 2 sides of the shelf (4), then cover Screw 1 - 1/5" + Cover cap (C).



# FRAME UNIT ASSEMBLY

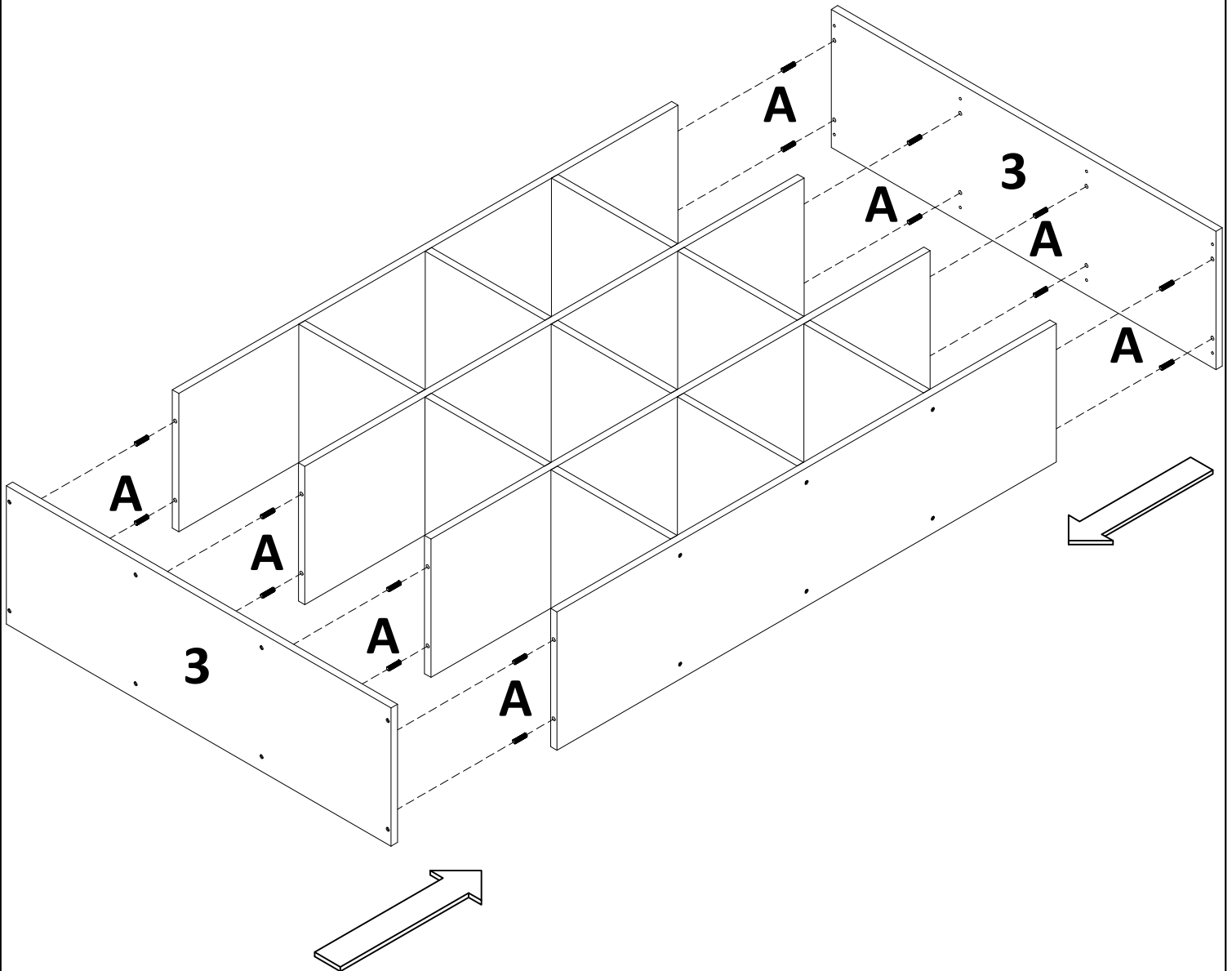
# 4

A



(16)

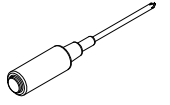
Use 1 - 1/5" wood dowels (A) to fix the 2 left + right body panels (3) to the roof + bottom panel (1) and bar stands in the middle (2).



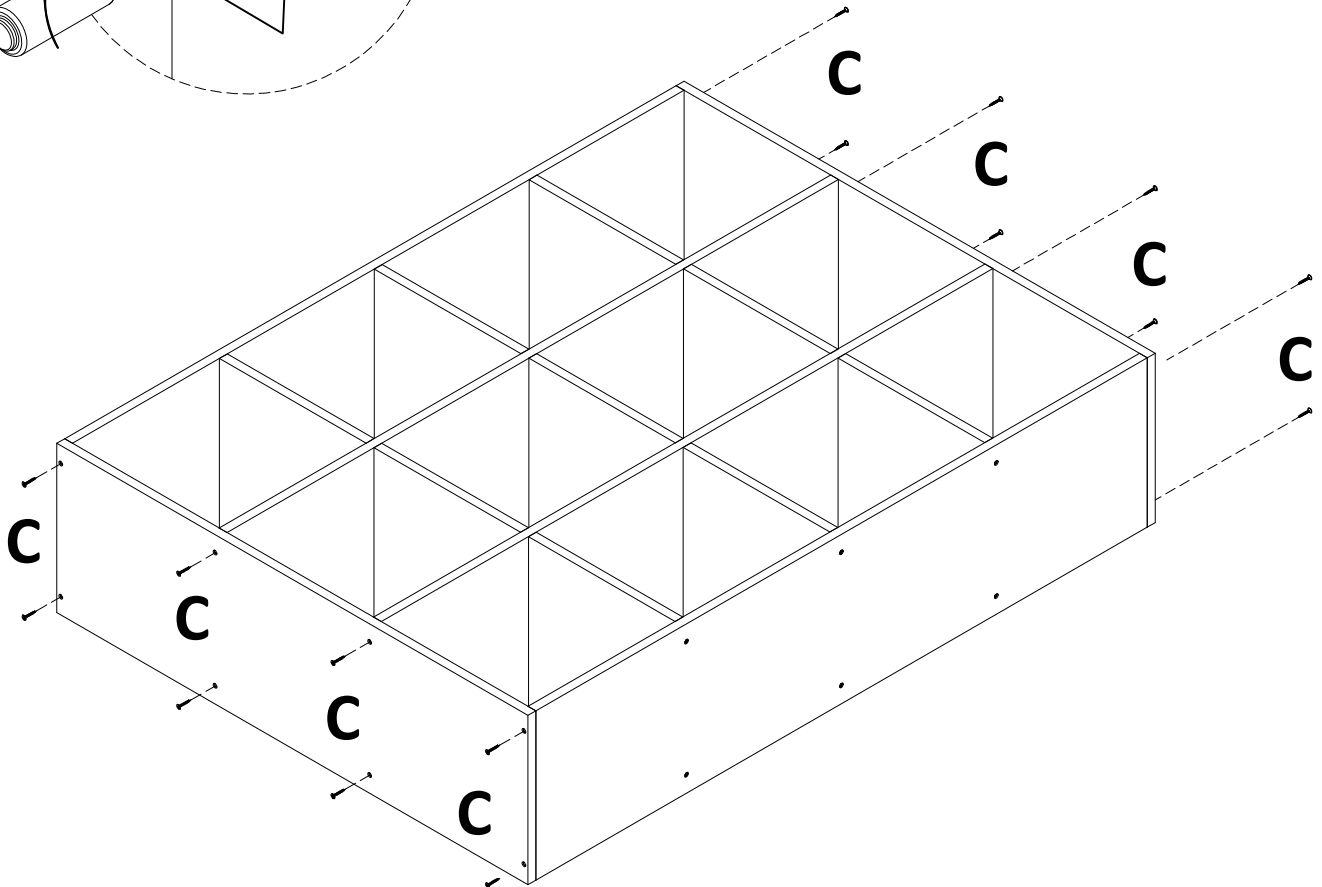
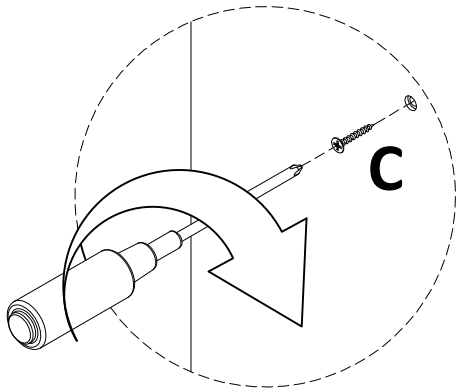
# FRAME UNIT ASSEMBLY

# 5

C  
(16)



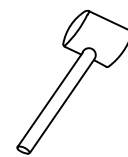
Use Screw 1 - 1/5" + Cover cap (C) to connect the 2 left + right body panels (3) to the roof + bottom panel (1) and bar stands in the middle (2) then put the cover on Screw 1 - 1/5" + Cover cap (C).



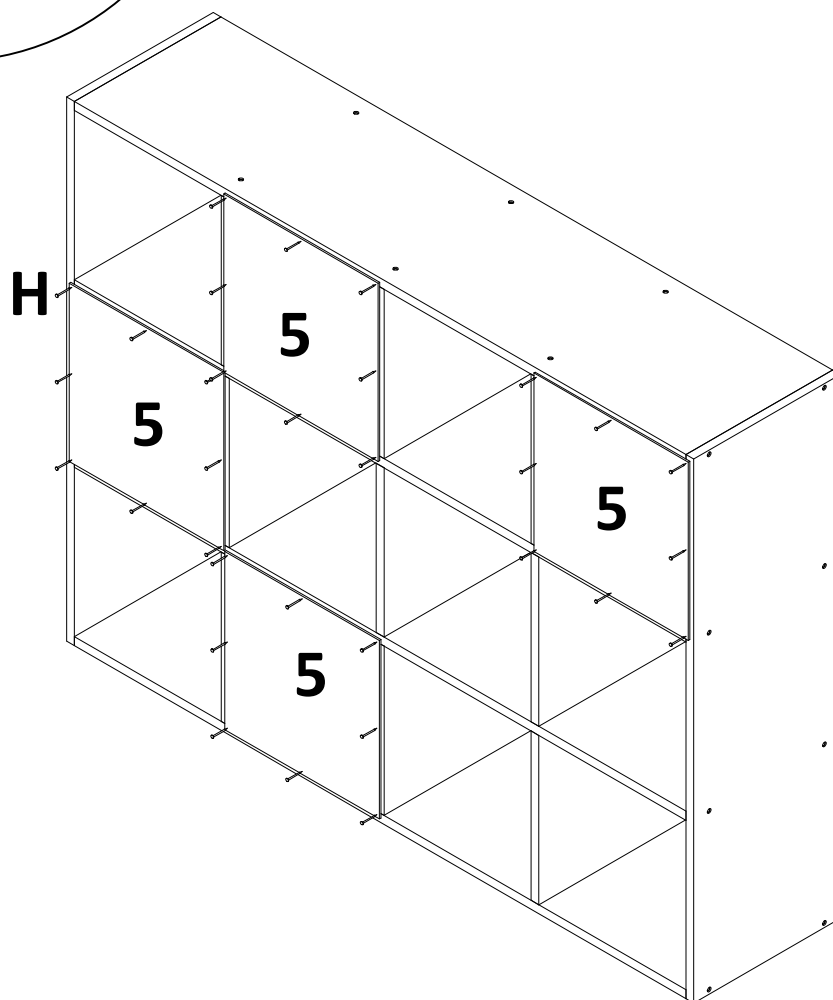
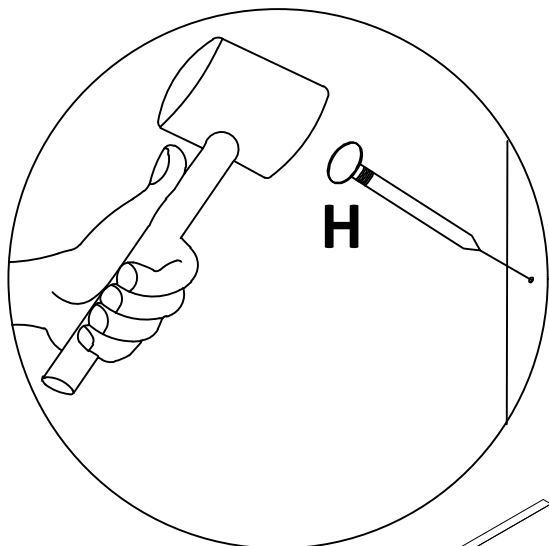
# FRAME UNIT ASSEMBLY

# 6

H  
↓  
(32)

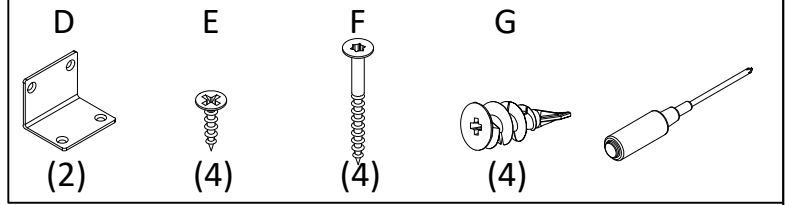


Use Mild Steel Wire Nail 3/5" (H) to screw into the back panel (5) at the back of the cabinet.



# FRAME UNIT ASSEMBLY

# 7



Use square hinges (D) and 3/5" flat head screws (E) to attach to roof panel (3) on top of cabinet.  
Close the plastic anchor (G) to the wall then use a 3 - 1/6" screw (F) to fix the cabinet to the wall.

