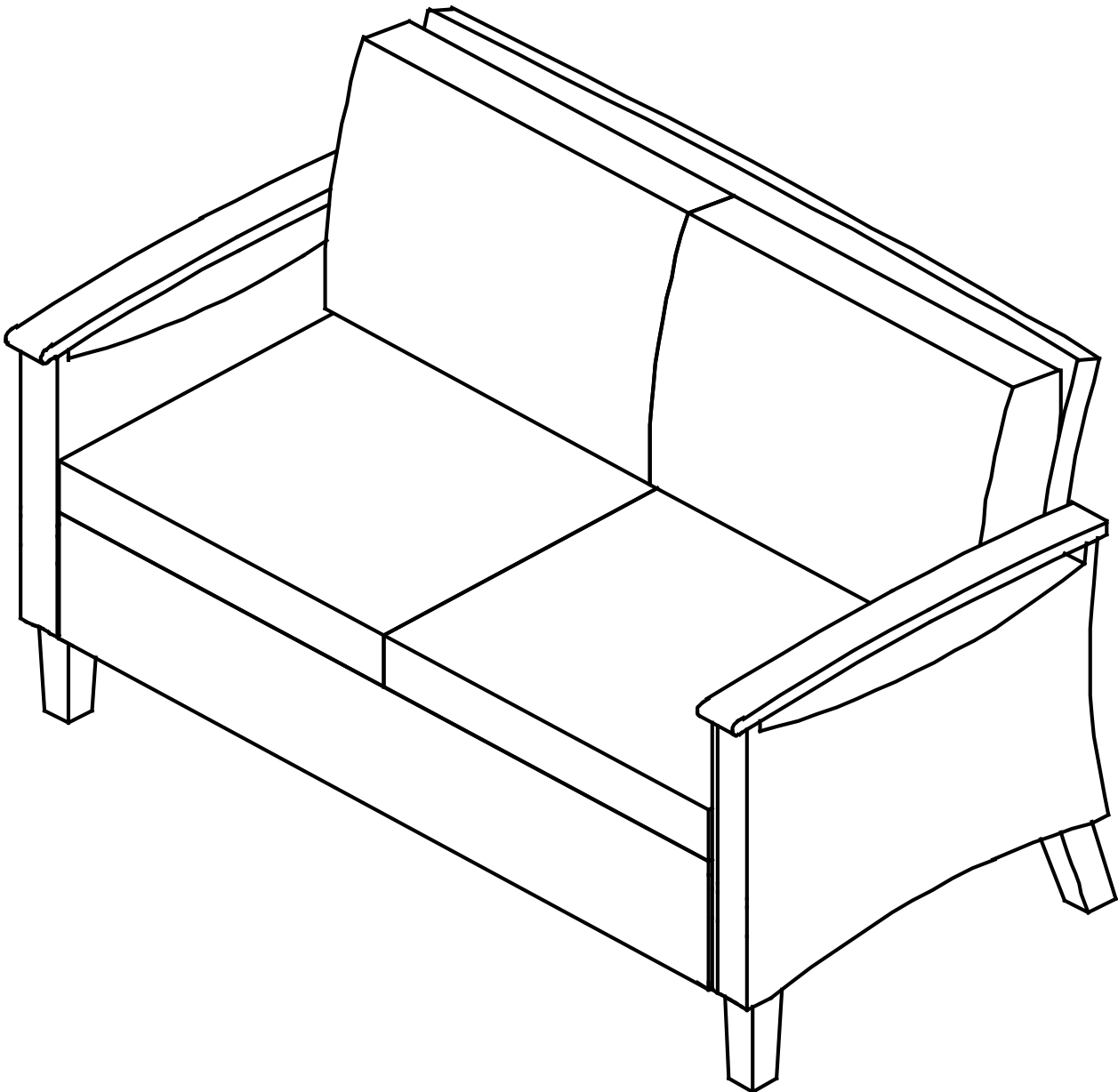


Assembly Instructions

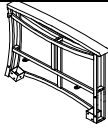
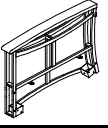
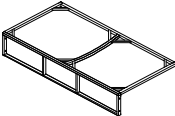
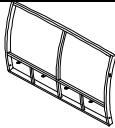


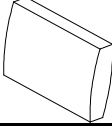
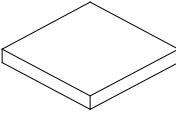
Love seat

Please look in the under table top for hardware packs

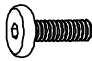





CAUTION: You must read this before you proceed.



CAUTION : This Loveseat is NOT a TOY.
Keep your child / children at bay in the process of assembly.
For turning the Loveseat and to prevent damage to the Loveseat, 02 persons may be needed to execute this action.

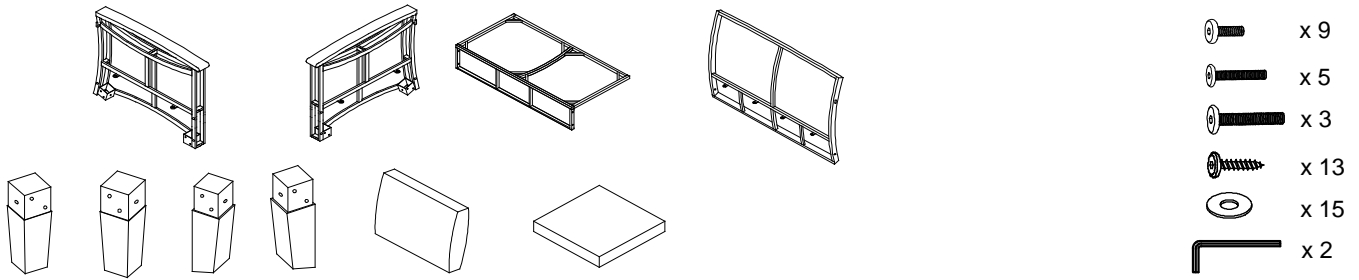
| No. | Picture | Description | Qty |
|-----|---|-----------------|-----|
| A |  | Right Arm Panel | 1 |
| B |  | Left Arm Panel | 1 |
| C |  | Seat Panel | 1 |
| D |  | Backrest Panel | 1 |
| E |  | First Leg | 2 |
| F |  | Second Leg | 2 |
| G |  | Back Cushion | 2 |
| H |  | Seat Cushion | 2 |

Hardware

| No. | Picture | Description | Qty |
|-----|---|---------------------|-----|
| ① |  | Bolt (M6x20mm) | 9 |
| ② |  | Bolt (M6x30mm) | 5 |
| ③ |  | Bolt (M6x40mm) | 3 |
| ④ |  | Screw (M6x20mm) | 13 |
| ⑤ |  | Washers (M6x16x1mm) | 15 |
| ⑥ |  | Allen Wrench (M4) | 2 |

Assembly Preparation

Before Beginning Assembly:



- Read instructions, cover to cover-



- Have 2 adults on hand for assembly-



- Do not assemble on flooring or carpet-

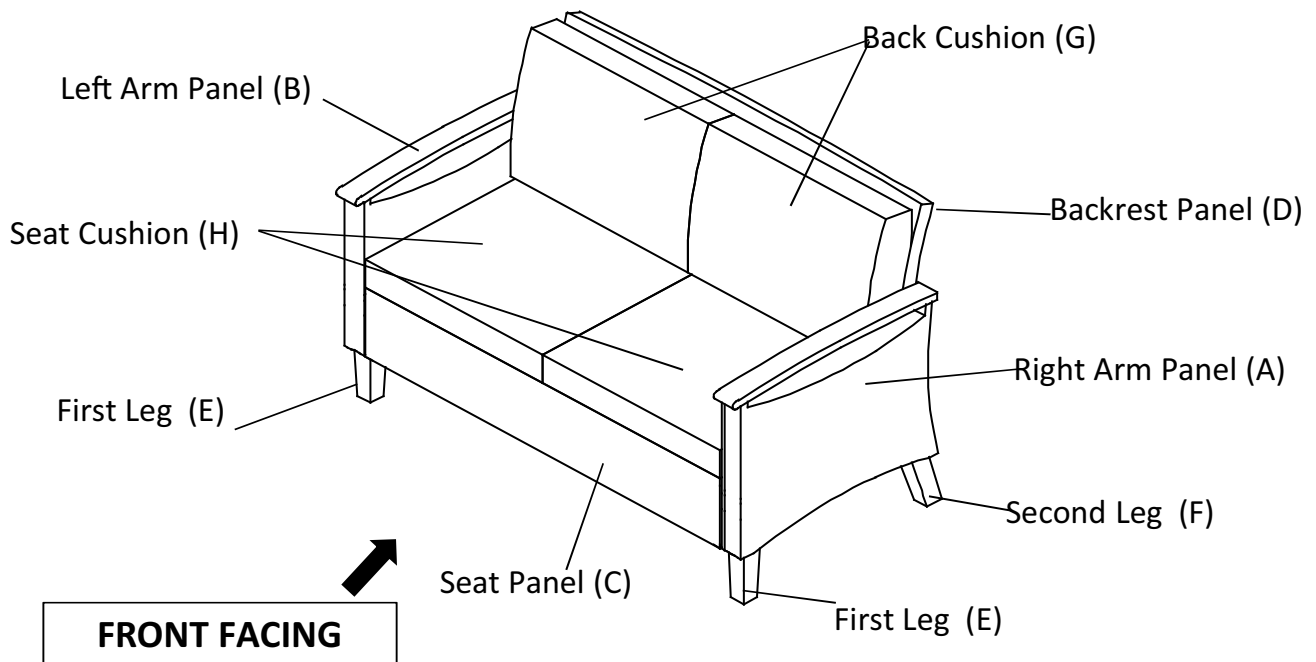


- Assemble on a clean non-marring surface (packing foam)-



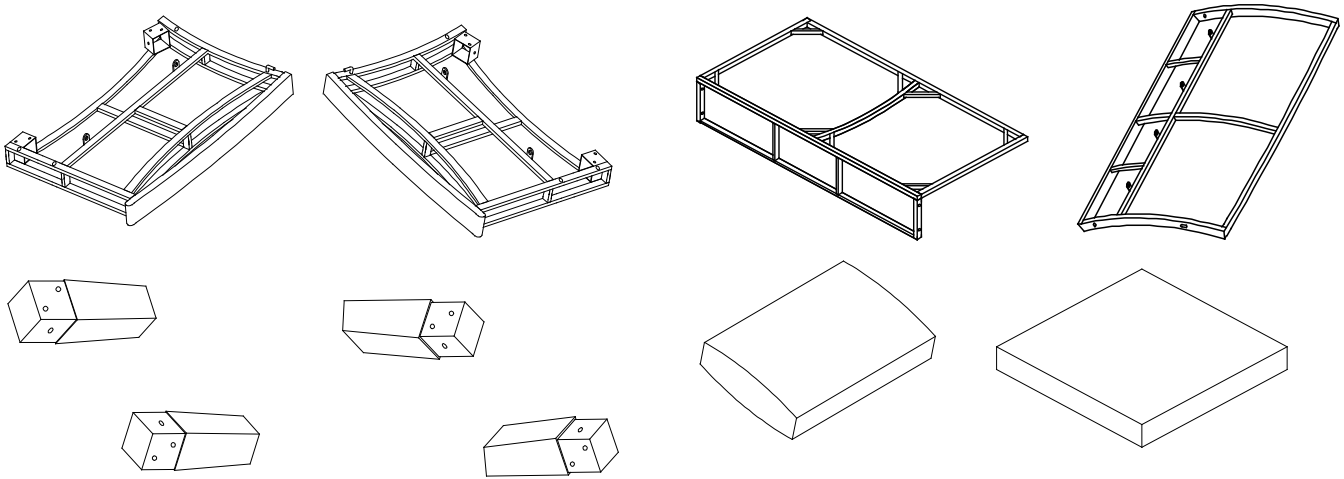
- Save all packaging until finished-

Assembly Steps



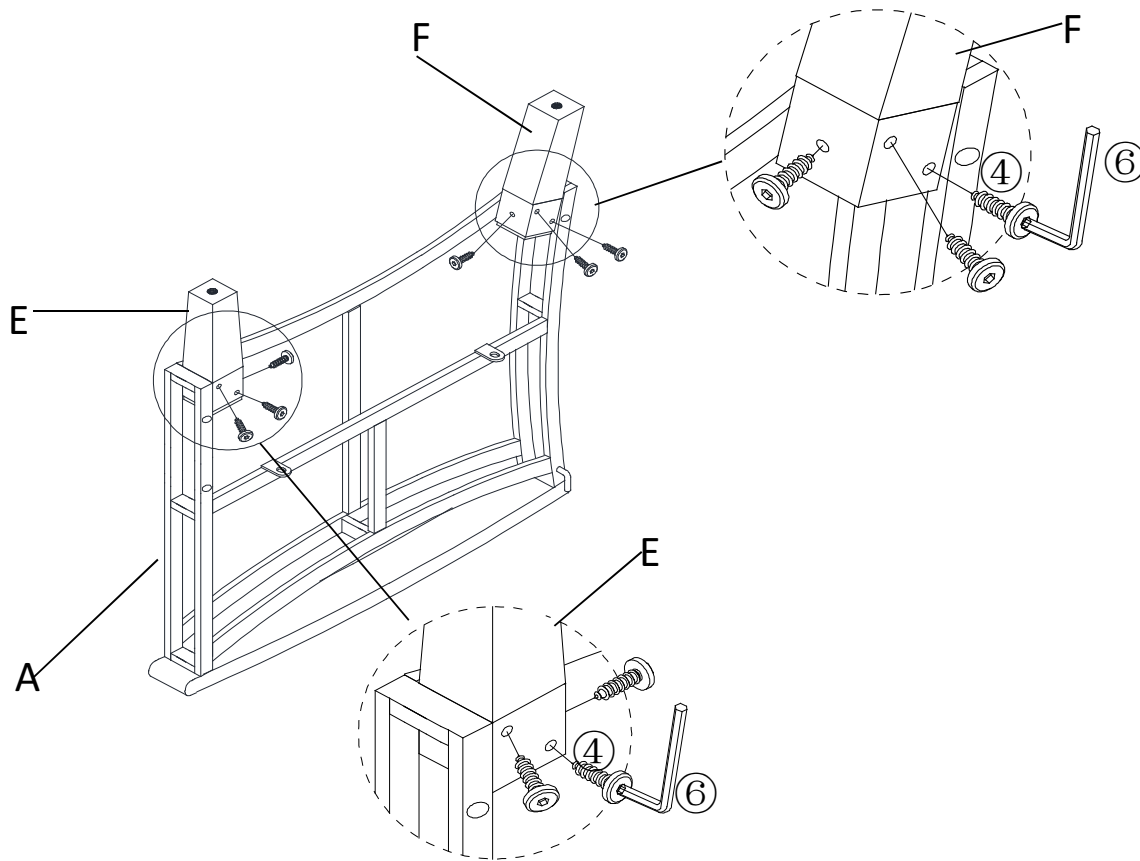
This Loveseat has multiple parts and may require up to 30 minutes to assemble. To give you an overview of the Loveseat parts, the above picture is to help you put the various parts into perspective. Please read through the instructions herebelow to familiarise the parts and steps before assembly.

Step 1



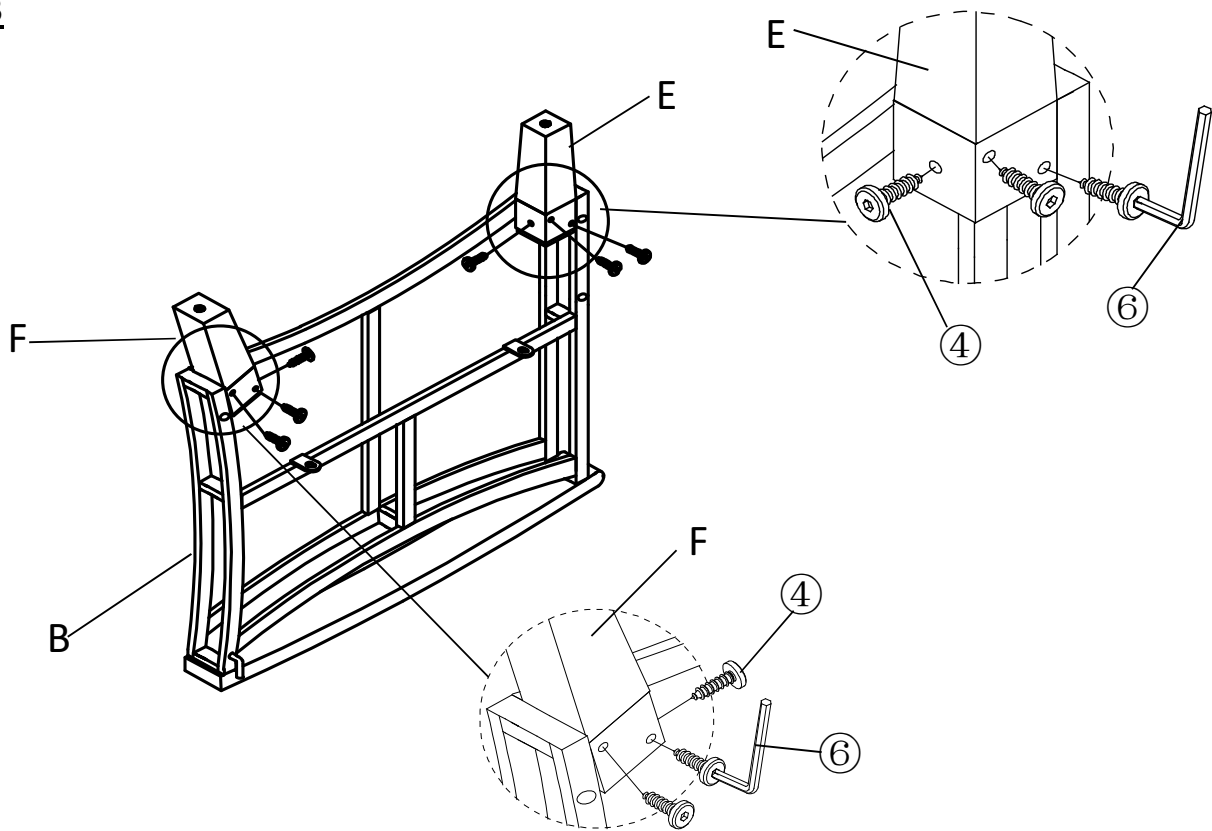
Unpack and place all parts on a clean, non-marring surface.

Step 2



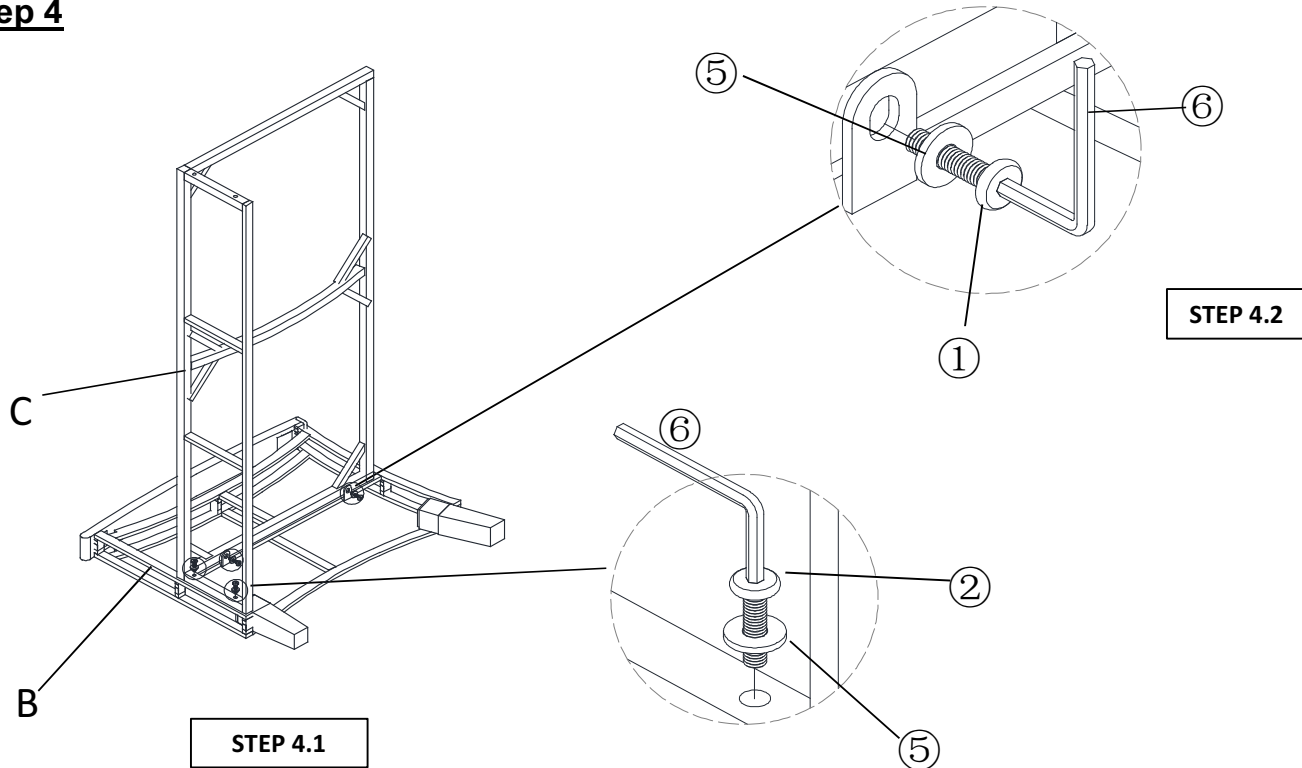
With the help of your adult partners, attached the tenons of First Leg (E) and Second Leg (F) into the Right Arm Panel (A) using Screws (4) with Allen Wrench (6).
Do not fully tighten the Screws.

Step 3



Repeat the same process as step 2 with the Left Arm Panel (B) with First Leg (E), Second Leg (F) and Allen Wrench ()

Step 4

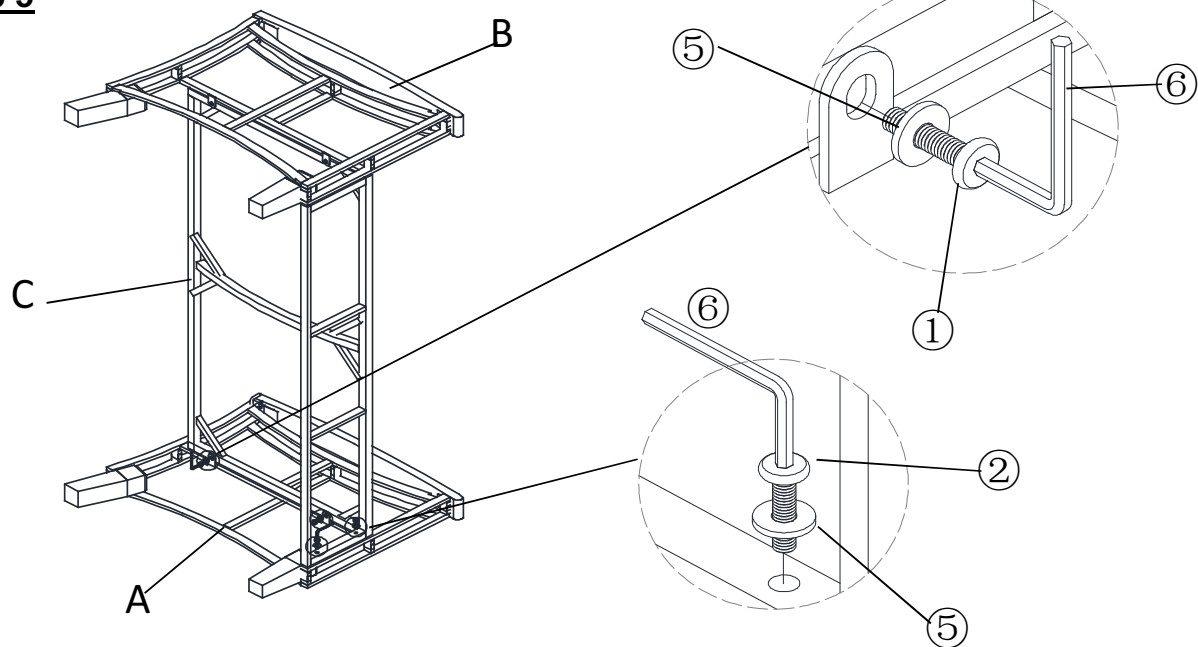


4.1) Secure the Seat Panel (C) to Left Arm Panel (B) using Bolt (2), Washers (5) and Allen Wrench (6) as shown above.

4.2) Secure the Seat Panel (C) to the Left Arm Panel (B) using Bolt (1), Washers (5) and Allen Wrench (6) as shown above.

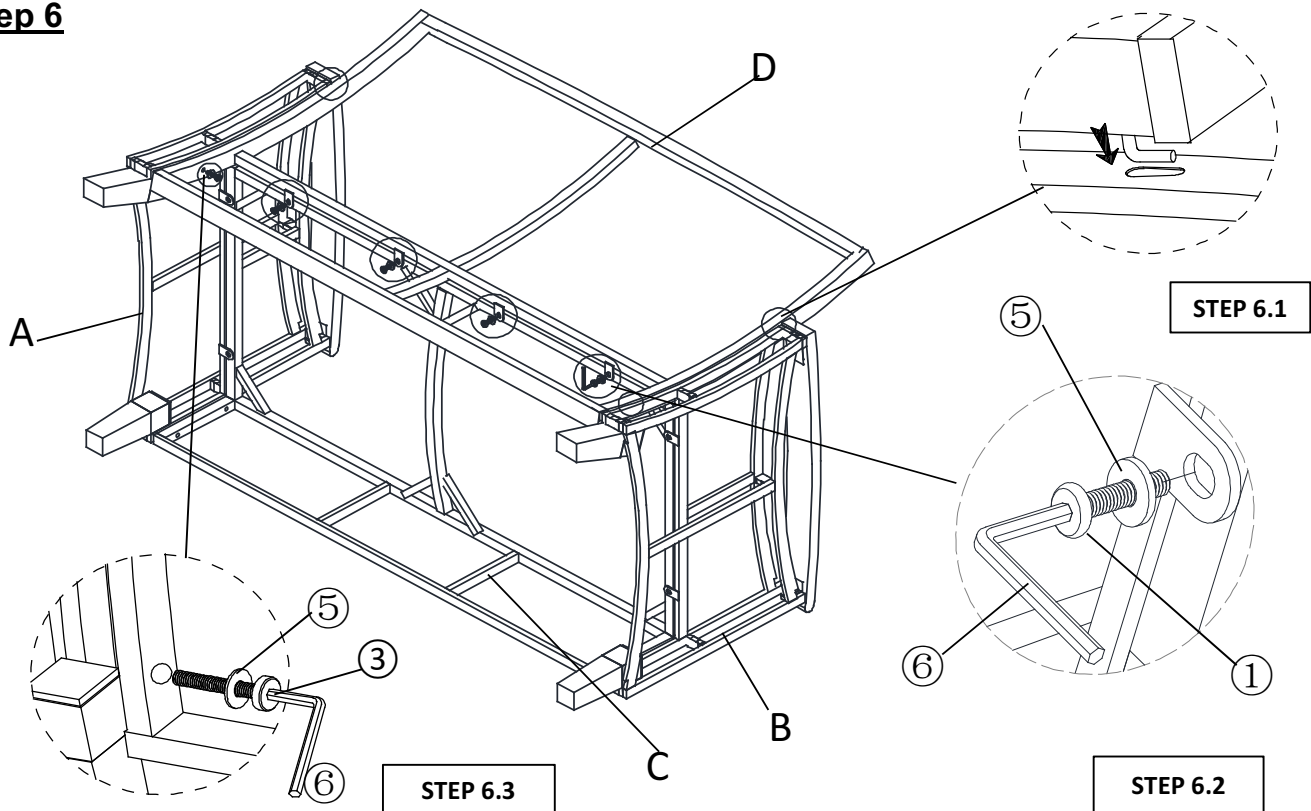
Do not fully tighten the Bolts

Step 5



With the help of your adult partner, turn the Loveseat right side up and repeat the same process with Right Arm Panel (A) and Allen Wrench () as shown above.

Step 6



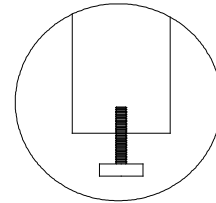
6.1) With the help of your adult partner, lay down the Loveseat with position as picture above ,then insert the tenons of the Backrest (D) into the hook of Left Arm Panel (B) and Right Arm Panel (A) as shown above

6.2) Secure the Backrest (D) to the Seat Panel (C) using Bolt (①),Washer (⑤) with Allen Wrench (⑥) as shown above

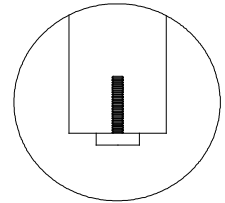
6.3) Secure the Backrest (D) to the Left Arm Panel (B) and Right Arm Panel (A) using Bolt (③),Washer (⑤) with Allen Wrench (⑥) as shown above

Do not fully tighten the Bolts

Step 7



Adjust height for balance



Adjust low for balance

**Adjust Pre-installed Levellers
height for balance**

Place the Loveseat onto a flat, level surface.

Then EXERT pressure, floorwards onto the Loveseat with both hands.

This pressure will help the Loveseat reach full alignment at all joints.

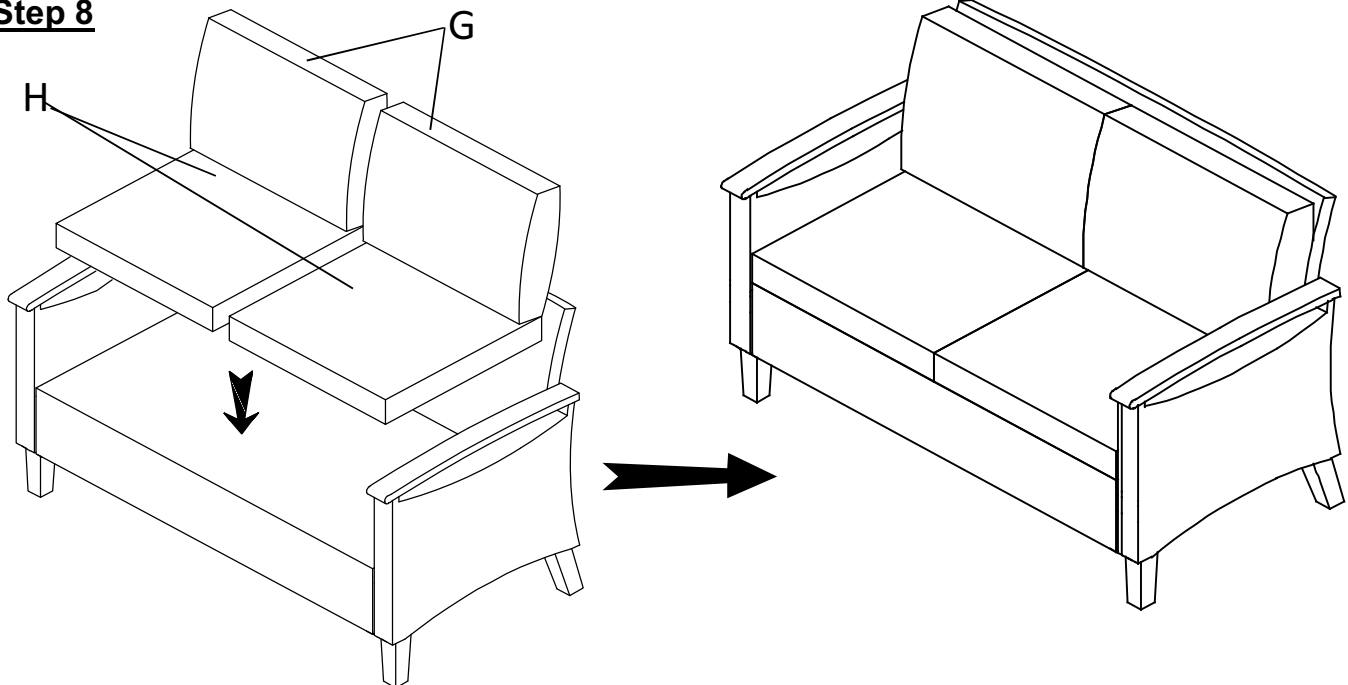
In a sequential manner, gradually tighten all Bolts at all joints until evenly secured.

Inspect the Loveseat and make sure all parts are adequately connected.

Adjust the Levellers until the Loveseat is level with the ground.

To adjust the Levellers, get assistance from an adult partner to lift/lean and hold the Loveseat while you are working.

Step 8



Place Seat Cushion (H) and Back Cushion(G) onto the Loveseat.












Inspect it and make sure all parts are adequately connected.

Ensure all screws, bolts are fully locked into position and secured.

The Loveseat is ready to be used.

Caution: This Loveseat can only be used on a flat, level surface.

Care & Maintenance

- ⊘  ● Prolonged exposure to rain may cause rusting which can stain floors.
 - ⊘  ● Do not put hot items directly on furniture surface.
 - ⊘  ● Do not clean furniture with harsh cleansers or polish.
 - ✓  ● To obtain the longest lifespan of your outdoor products, minimizing exposure to direct sunlight is recommended.
 - ⊘  ● Children should not climb or jump on the furniture.
 - ⊘  ● Do not write on furniture without a padded barrier to protect the surface.
 - ✓  ● To obtain the longest lifespan of your outdoor products, avoid extended and lengthy exposure to rain, snow, and direct sunshine. Whenever possible cover the product and /or place under patio or awnings.
 - ⊘  ● Not for commercial use. For residential use only.
 - ⊘  ● Stains may be removed with mild soap solution and damp cloth.
 - ✓  ● Keep away from sources of ignition.
-
- ✓  ● Dust and pick-up spills using a clean, non-colored, lint-free cloth.