

PH3451 - Patilo Sunny Solar wall Light.



Installation notes

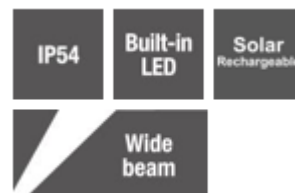
Mount luminaire in the desired location.

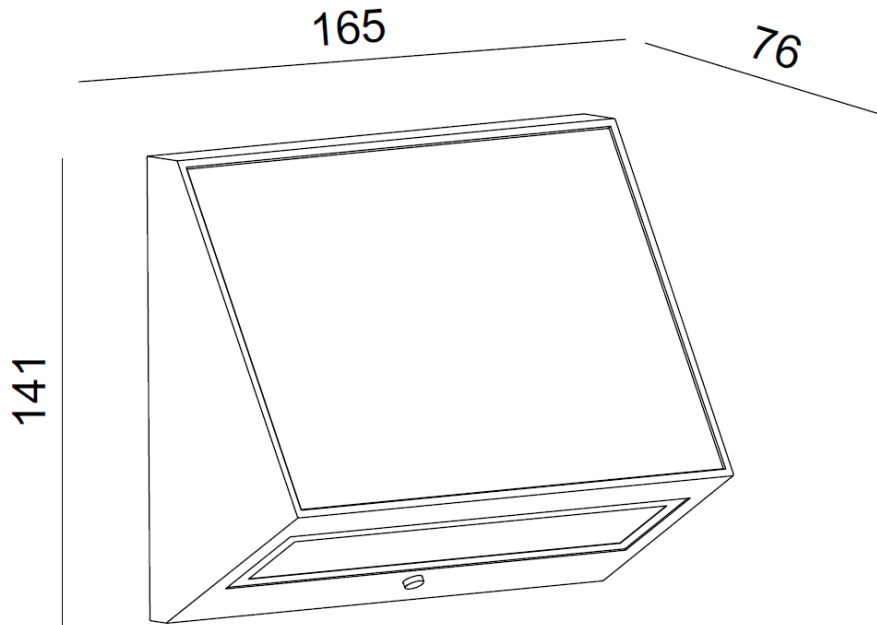
Refer to the instruction manual for further guidance.

This luminaire will automatically illuminate when <50Lux light level has been detected.

When light levels exceed >50Lux the luminaire will automatically switch off and resume solar charging.

Part code	PH3451
Diffuser	Clear
Dimensions (mm)	165x141x76
Construction	Aluminium/Glass
Finish	Grey Powder coat
Class	Class III
IP rating	IP65
Wattage	1.5W
Lumen Output	180lm
Beam angle	108°
CCT	3000K
Charge time	6 Hours
Battery life	8 Hours
Battery type	2200mAh Lithium battery
Lamp included	Yes, non-replaceable
Dimmable	No
Voltage	3.7V
Net weight (g)	1065
Gross weight (g)	1080
Warranty	2 Years
Manufactured in accordance with	BS EN 60598
Origin of manufacture	PRC





2 YEAR WARRANTY

Exclusions: Damage by machinery, animals or the use of incorrect cleaning materials. Corrosion due to exposure to salt or chlorine. Damage due to incorrect installation practices. Responsibility for 3rd party cost; indirect or consequential loss.