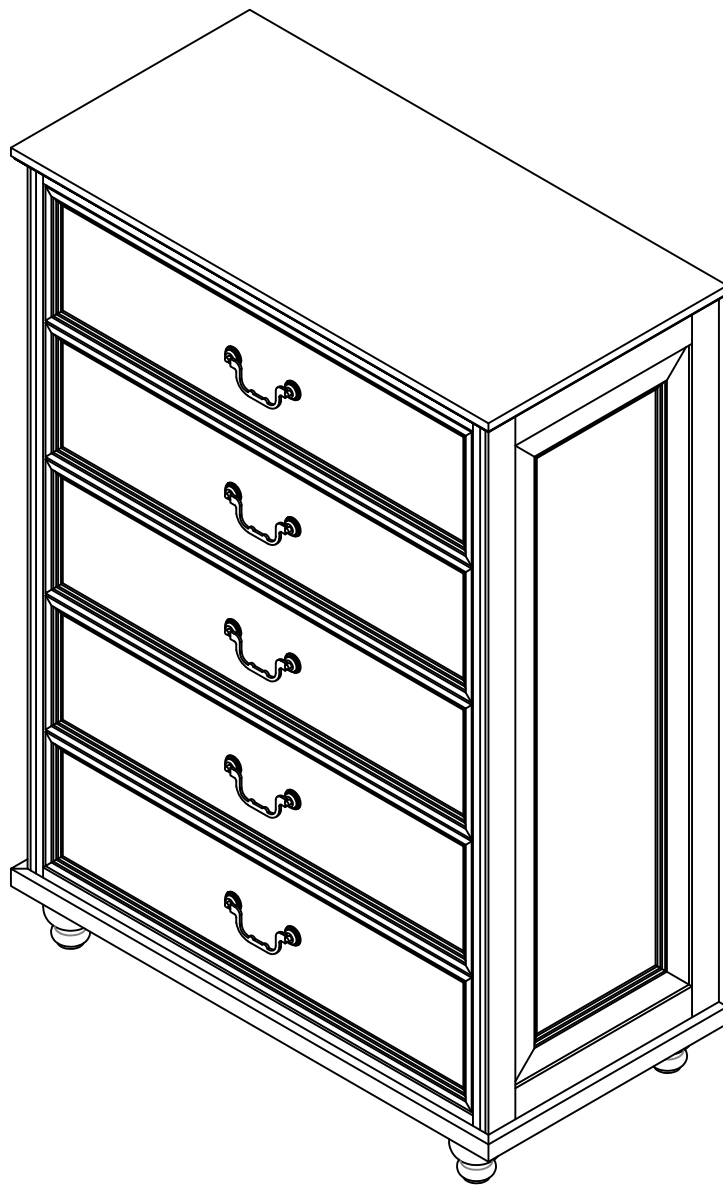


Assembly Instructions



BEFORE STARTING

Before Using Product

Read each step carefully before starting. It is very important that each step is performed in the correct order. If these steps are not followed in sequence, assembly difficulties will occur.

Make sure all parts are included.

Work in a spacious area and near where the unit will be used, preferably on a carpet, or use a piece of the cardboard packaging to protect your floor and product.

For a smooth assembly process, we suggest you keep a lite tightness for all the screws during assembly. After the whole product is assembled, firmly tighten all the screws.

WARNING

Do not allow children to climb on unit.

Avoid sharp objects or corrosive chemicals to prevent damage to the product.

During assembly, keep parts and packaging materials away from children and pets as there could be potential injury and choking hazards.

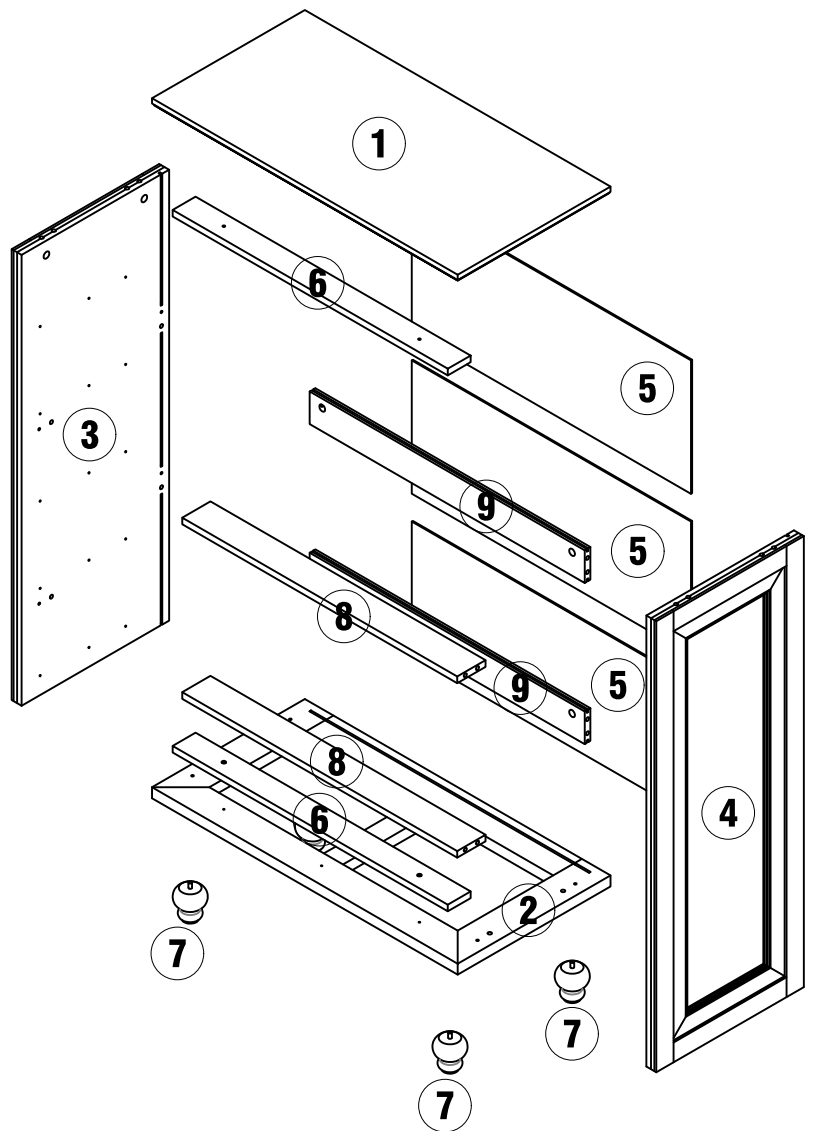
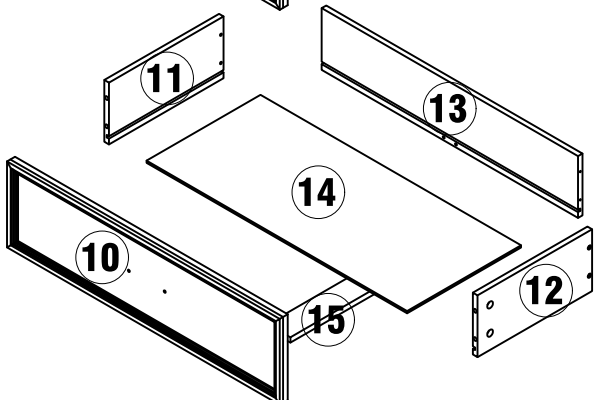
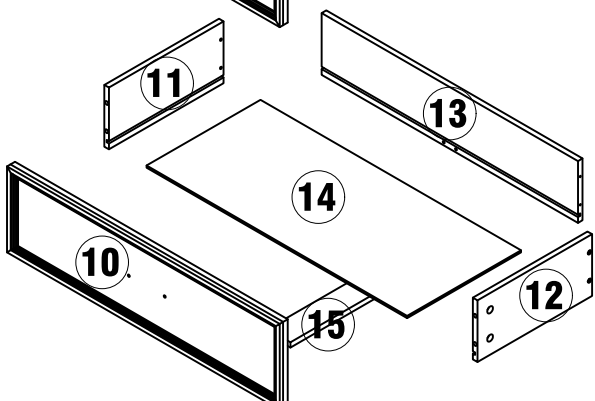
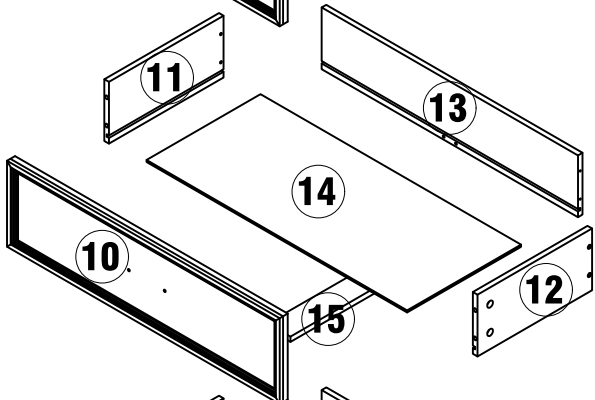
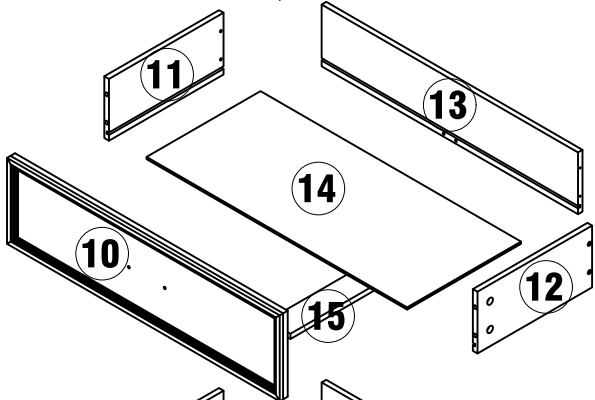
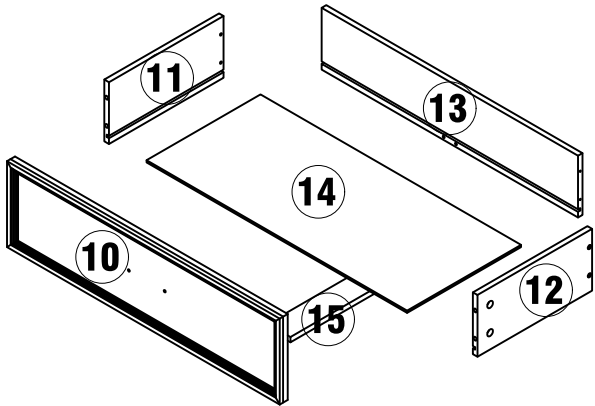
Please make sure that all objects are removed before moving the assembled unit.

The unit must be team lifted, not dragged or pushed. Failure to do so could cause instability, product collapse, and/or serious injury.

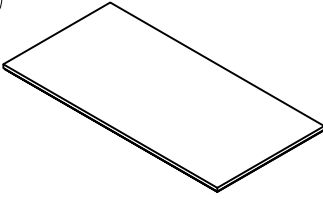
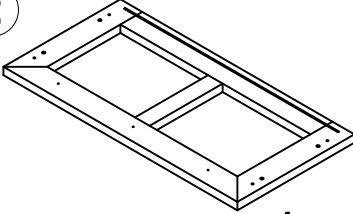


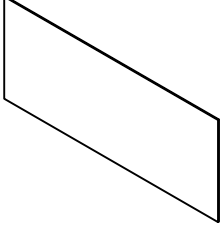
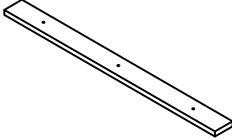

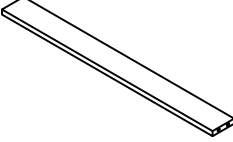
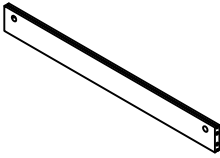
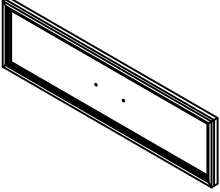
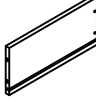
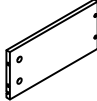
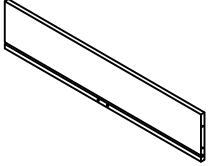
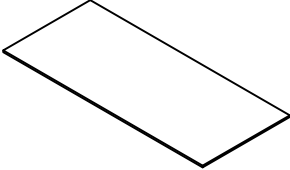

Be careful when using power tools to assemble your furniture.

Power tools may strip or damage the parts.



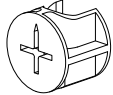
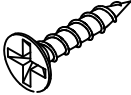
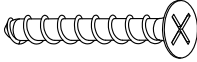
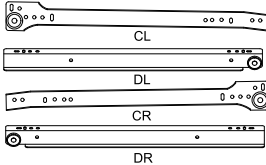
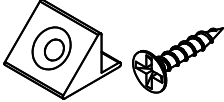
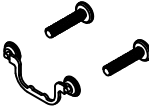
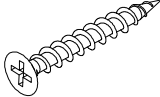


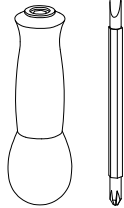
PART LIST

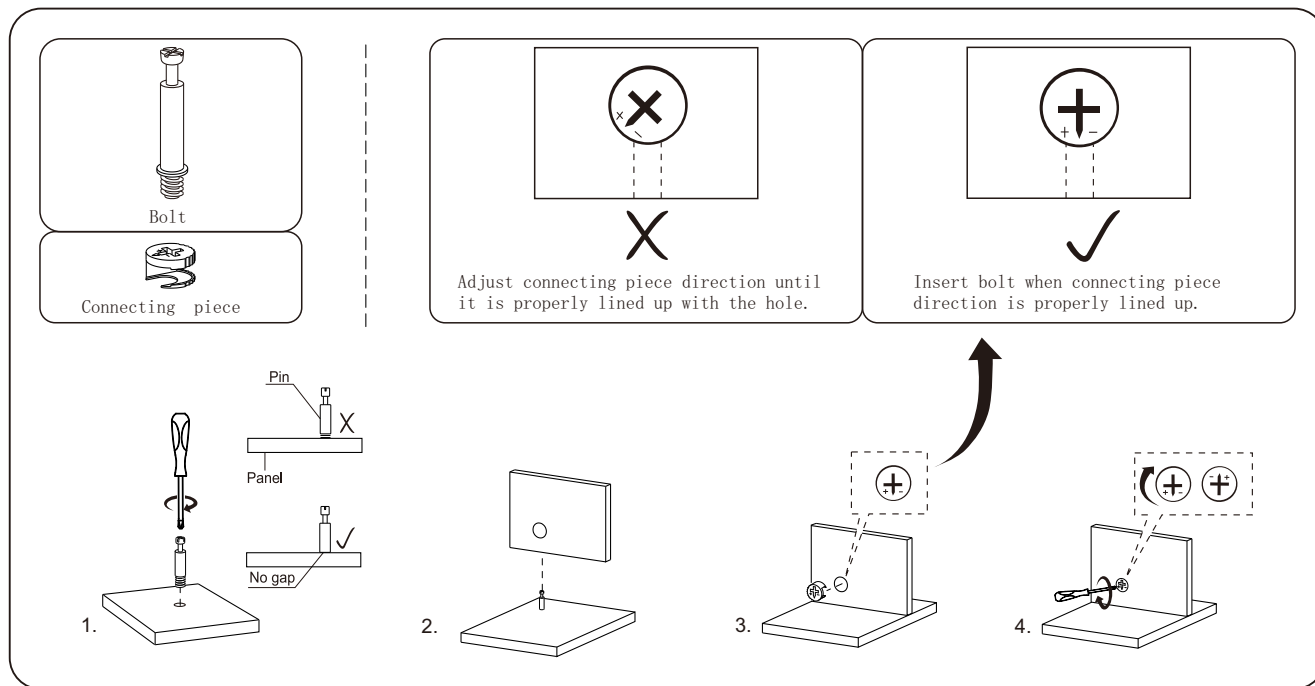


PART LIST

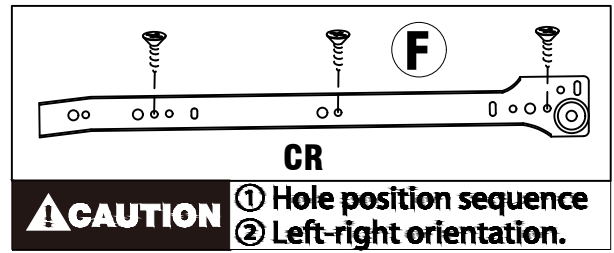
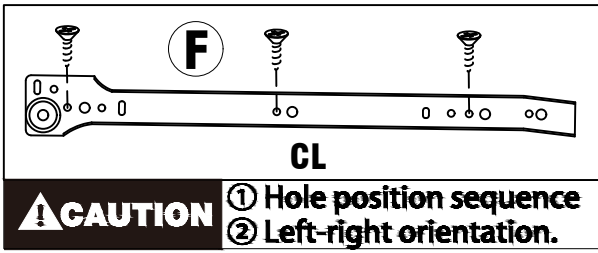
<p>①</p>  <p>1 pcs</p>	<p>②</p>  <p>1 pcs</p>	<p>③</p>  <p>1 pcs</p>
<p>④</p>  <p>1 pcs</p>	<p>⑤</p>  <p>3 pcs</p>	<p>⑥</p>  <p>2 pcs</p>
<p>⑦</p>  <p>4 pcs</p>	<p>⑧</p>  <p>2 pcs</p>	<p>⑨</p>  <p>2 pcs</p>
<p>⑩</p>  <p>5 pcs</p>	<p>⑪</p>  <p>5 pcs</p>	<p>⑫</p>  <p>5 pcs</p>
<p>⑬</p>  <p>5 pcs</p>	<p>⑭</p>  <p>5 pcs</p>	<p>⑮</p>  <p>5 pcs</p>

HARDWARE LIST

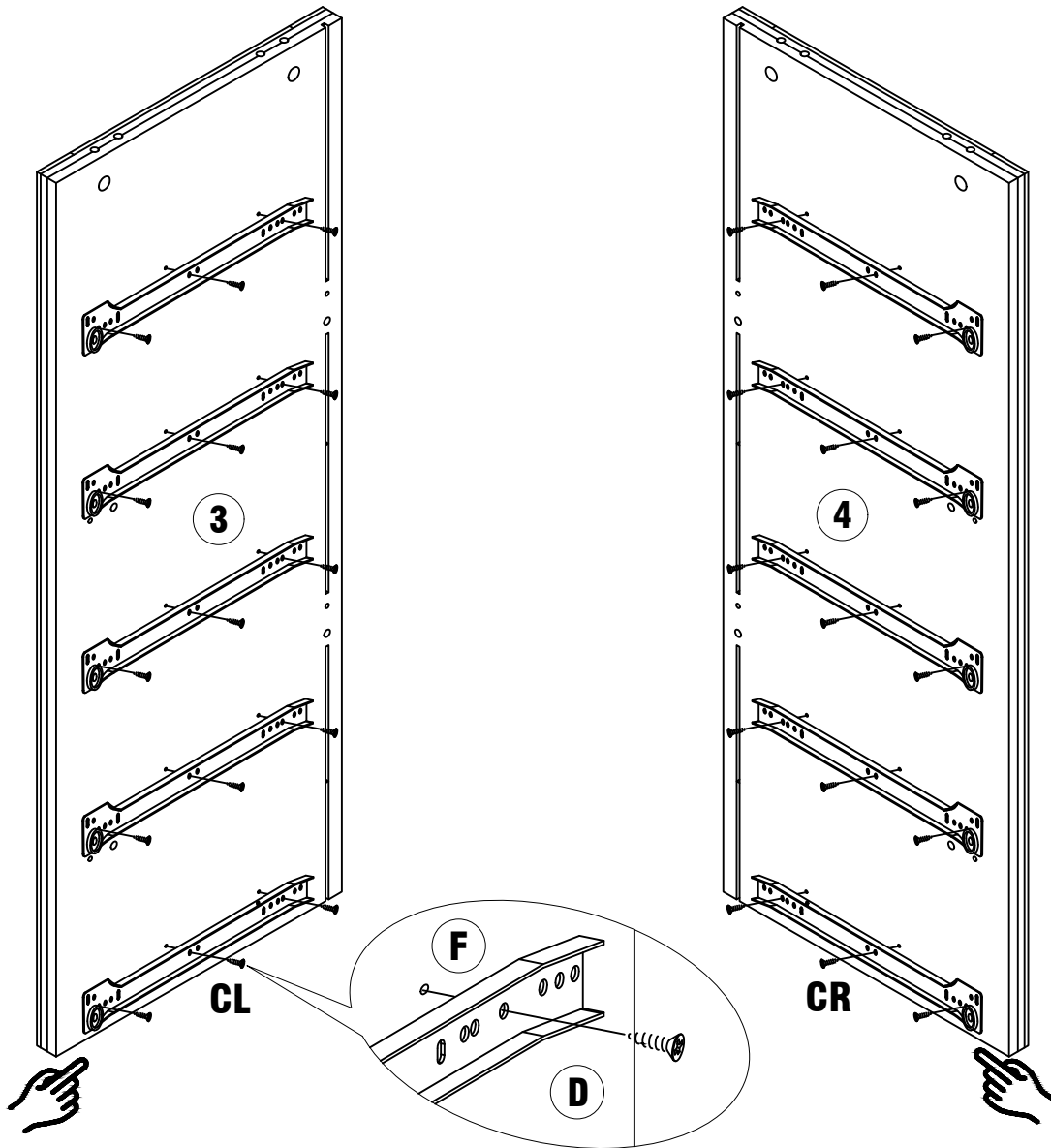
<p>A X16+1</p>  <p>Ø8X30MM</p>	<p>B X37+2</p>  <p>Ø5X40MM</p>	<p>C X12+1</p>  <p>Ø15X12MM</p>
<p>D X50+2</p>  <p>Ø3X12MM</p>	<p>E X36+1</p>  <p>Ø4X35MM</p>	<p>F X5</p> 
<p>G X12</p> 	<p>H X5</p> 	<p>I X4</p>  <p>Ø4X50MM</p>
<p>J X25+1</p>  <p>Ø15X10MM</p>	<p>K X1</p> 	<p>X1</p> 



STEP 1

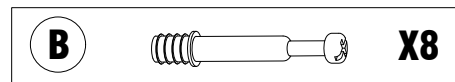
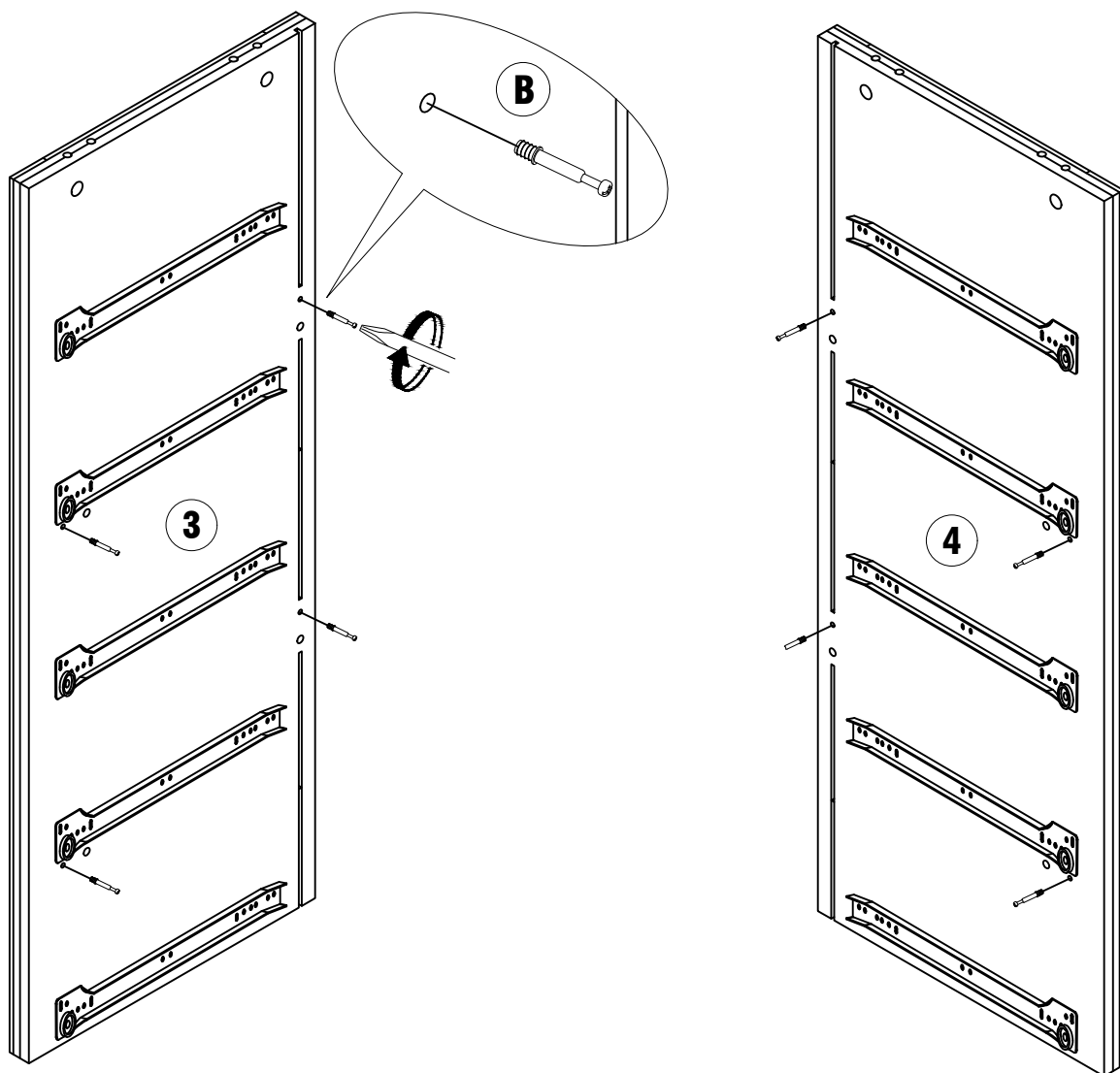


Warning: Ensure proper alignment and direction when installing the product's slide rails, paying close attention to left and right orientation. Failure to do so may result in damage or loss.





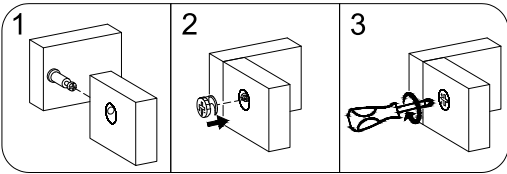
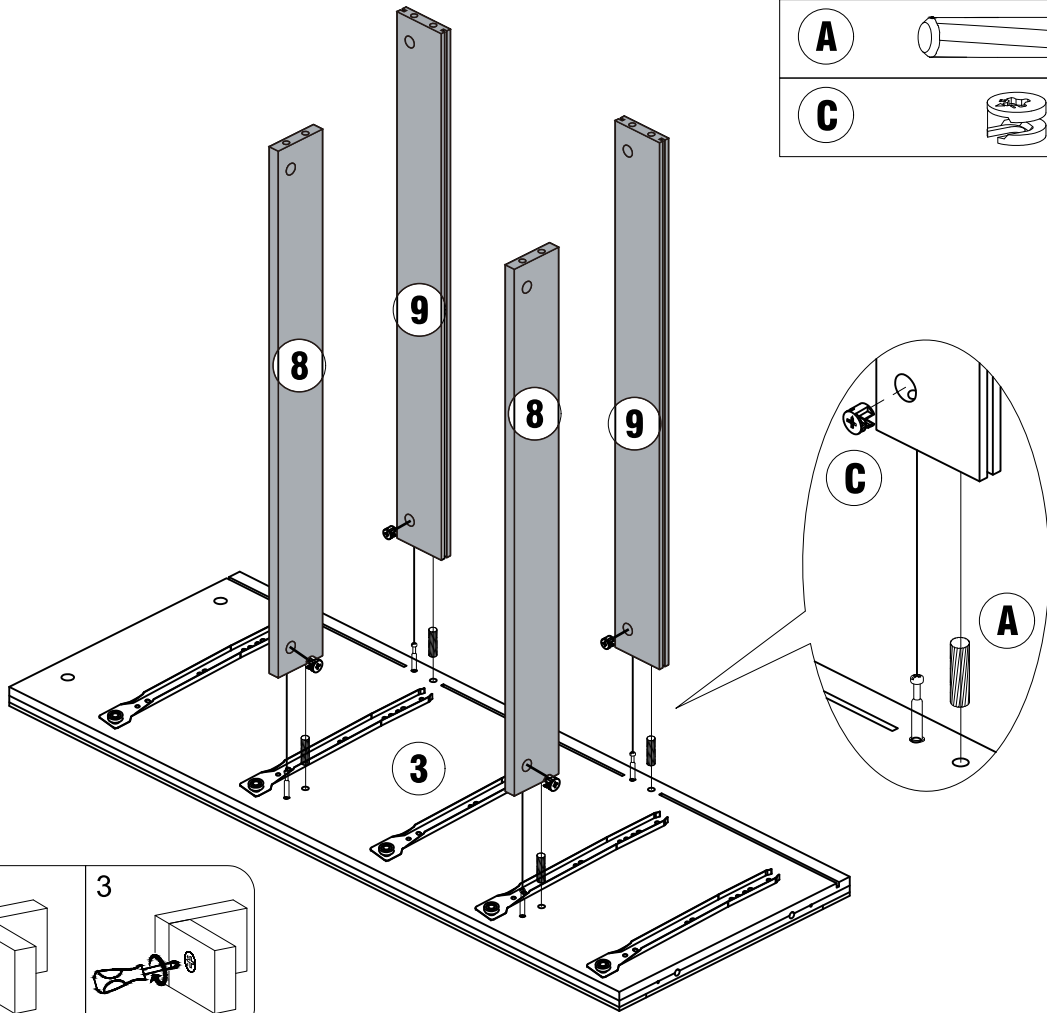
D		X30
F		X5

STEP 2

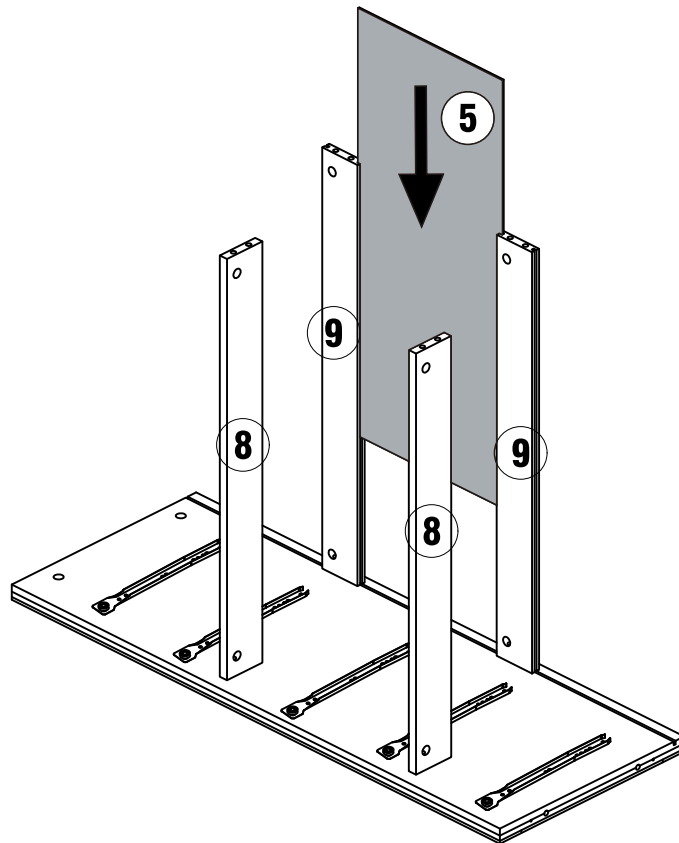


STEP 3



A		X4
C		X4

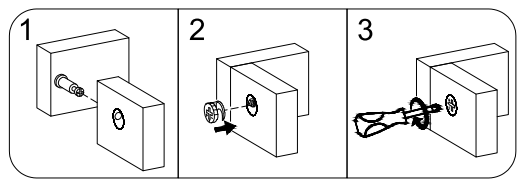
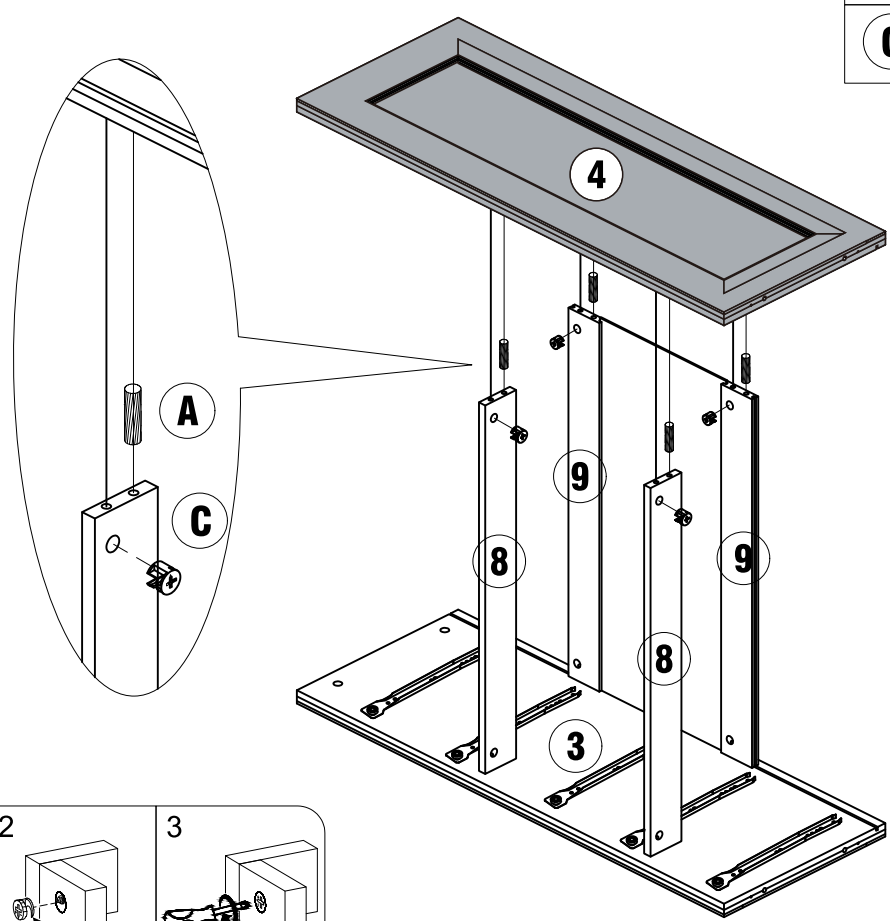


STEP 4

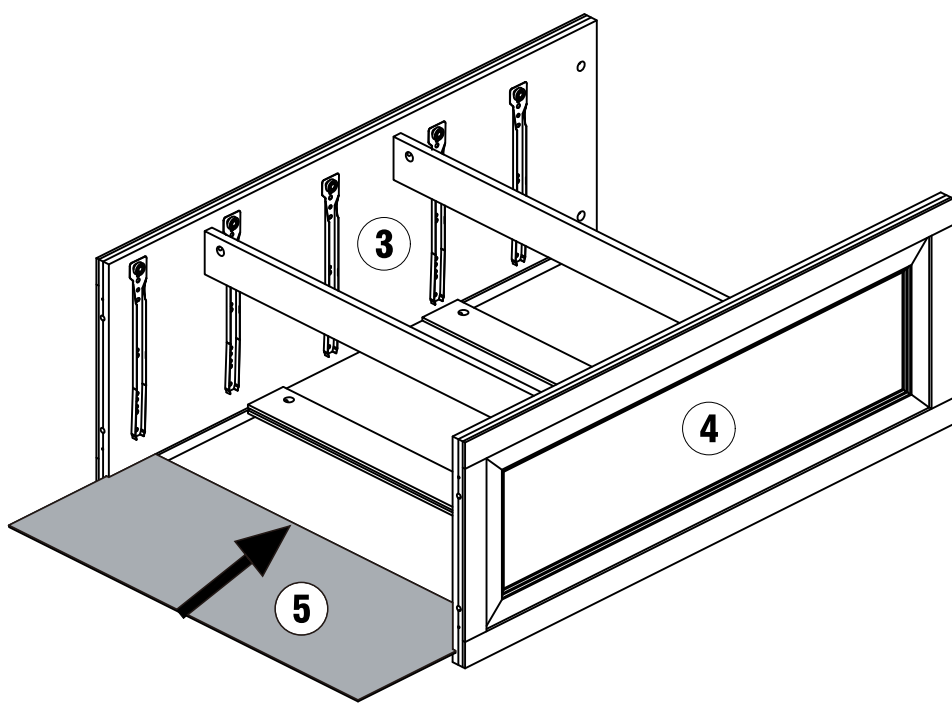


STEP 5

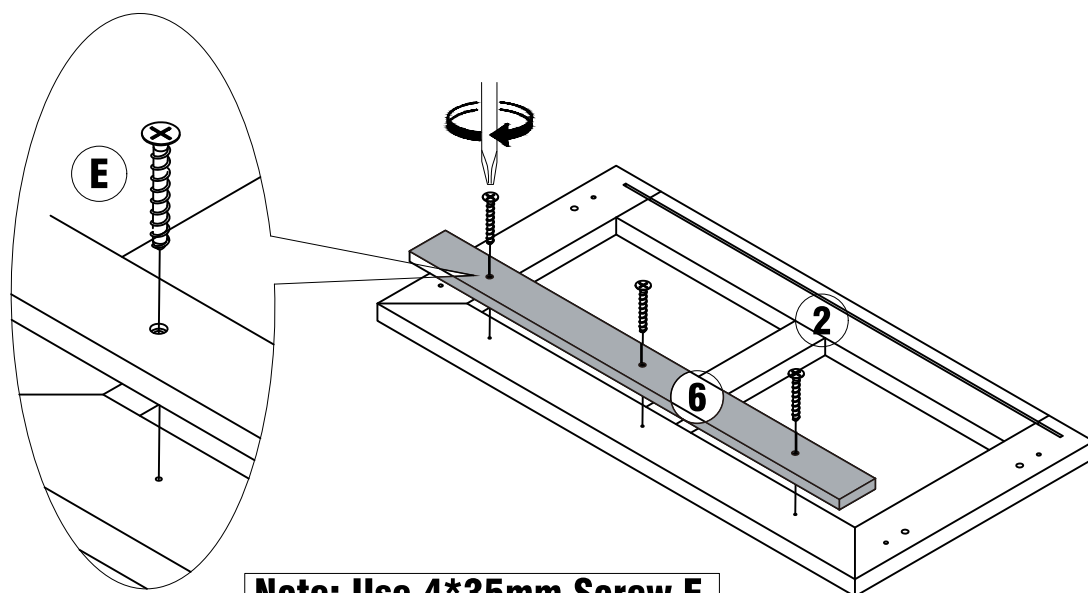
A		X4
C		X4



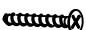
STEP 6



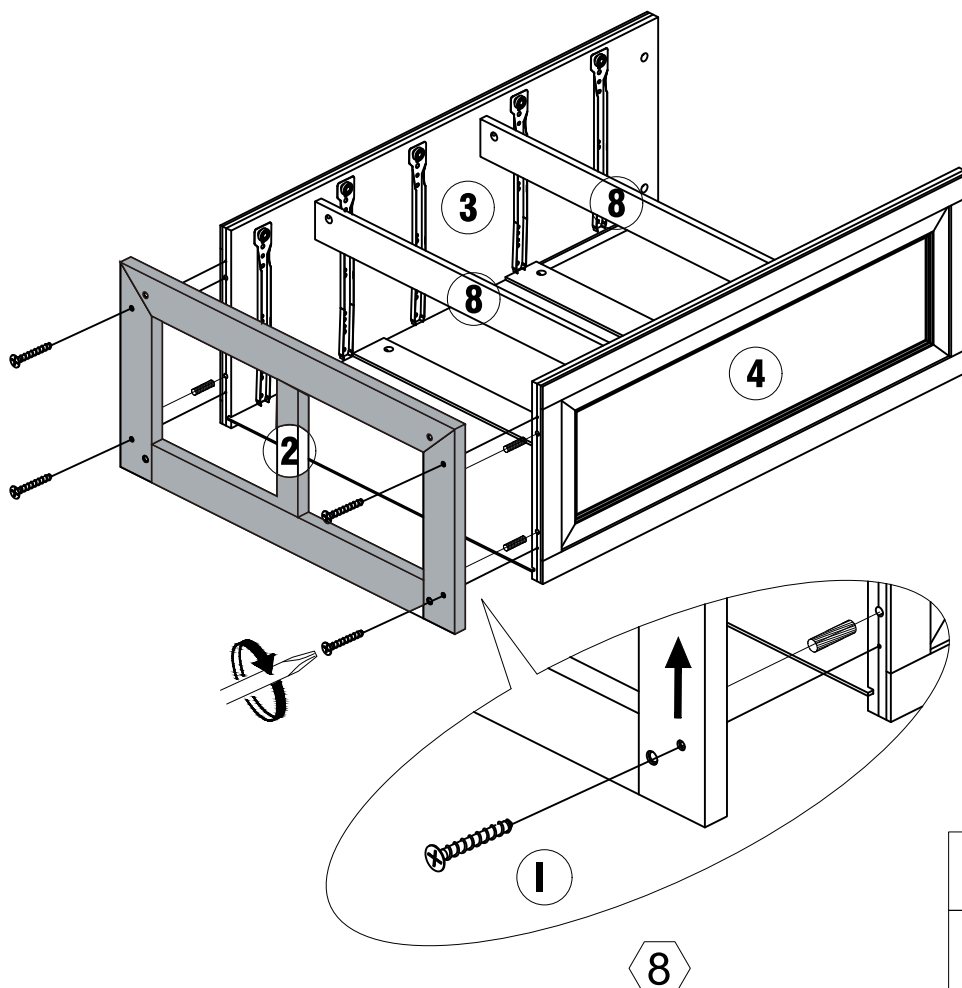
STEP 7





Note: Use 4*35mm Screw E

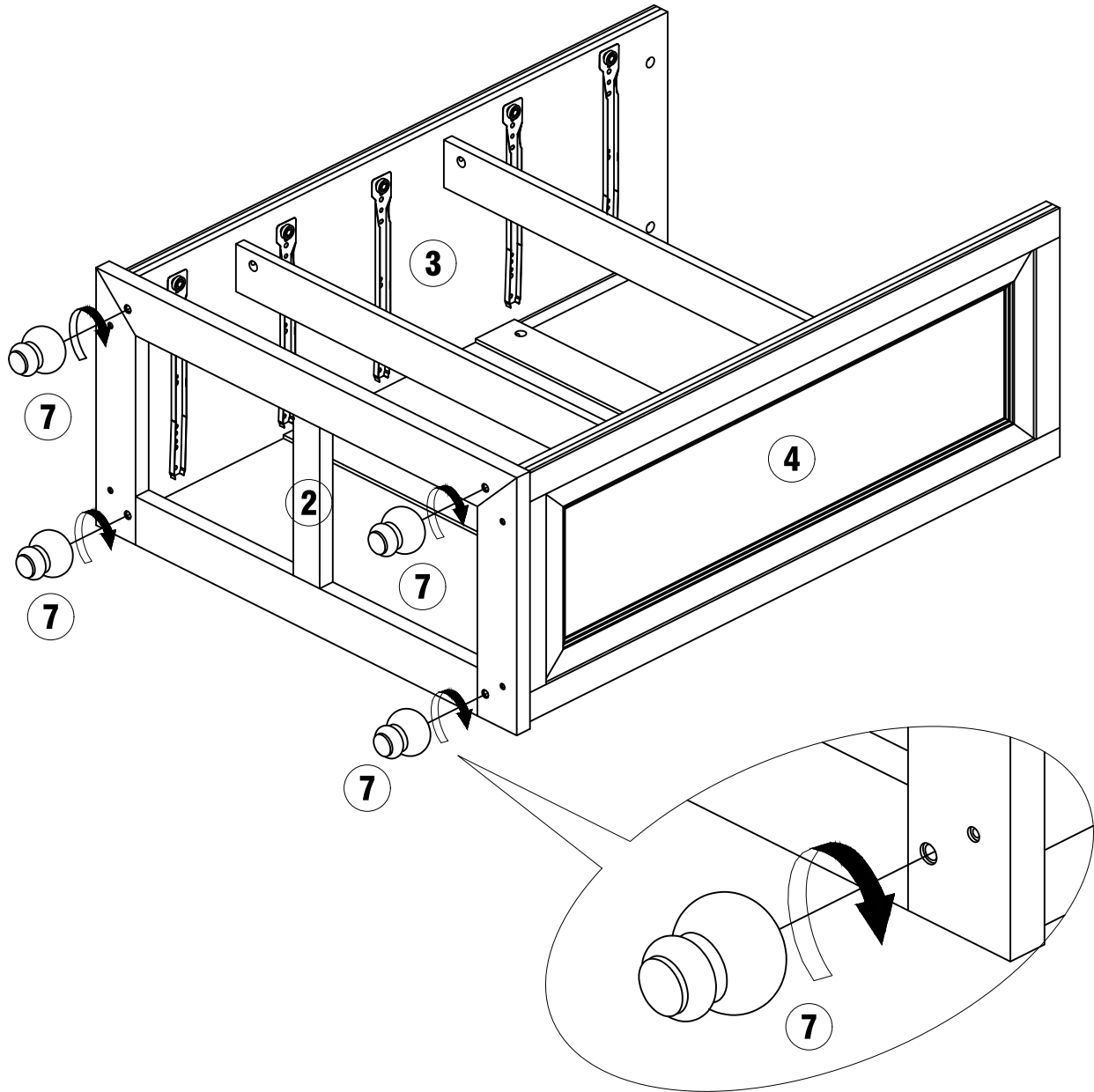
E		X3
----------	---	-----------

STEP 8



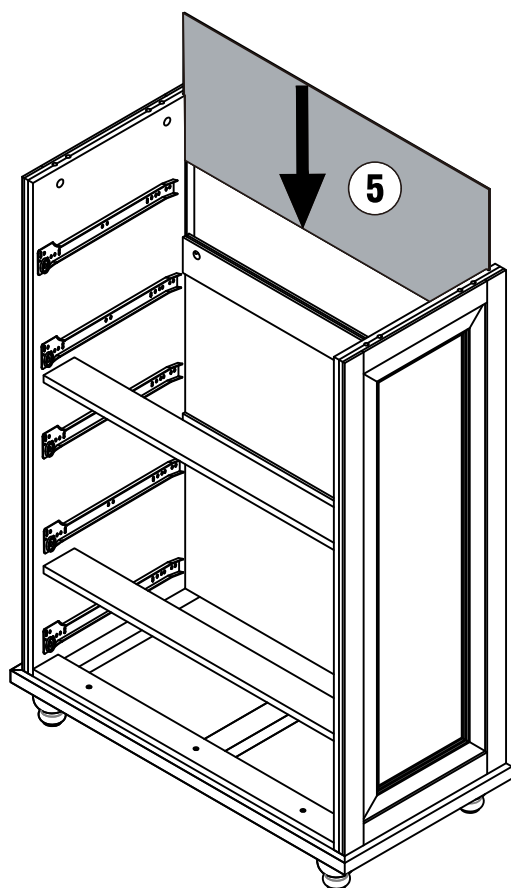
A		X4
I		X4

STEP 9

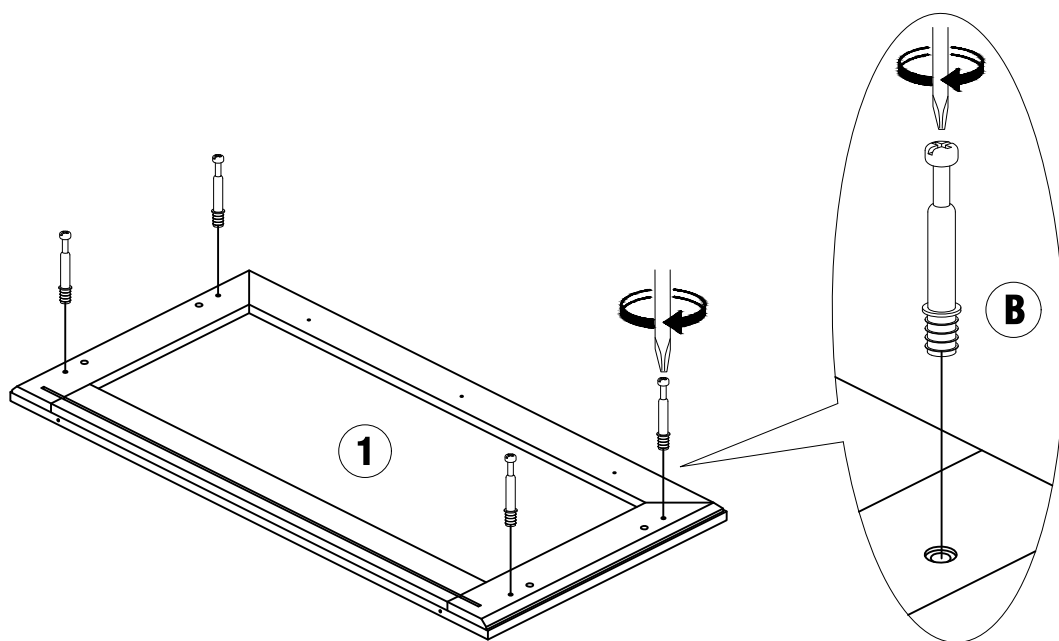


Instructions for use: The cabinet legs should be designed to avoid lateral stress. When moving, please lift vertically off the ground. Dragging may cause loose connectors, affecting stability and service life

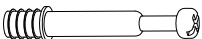
STEP 10



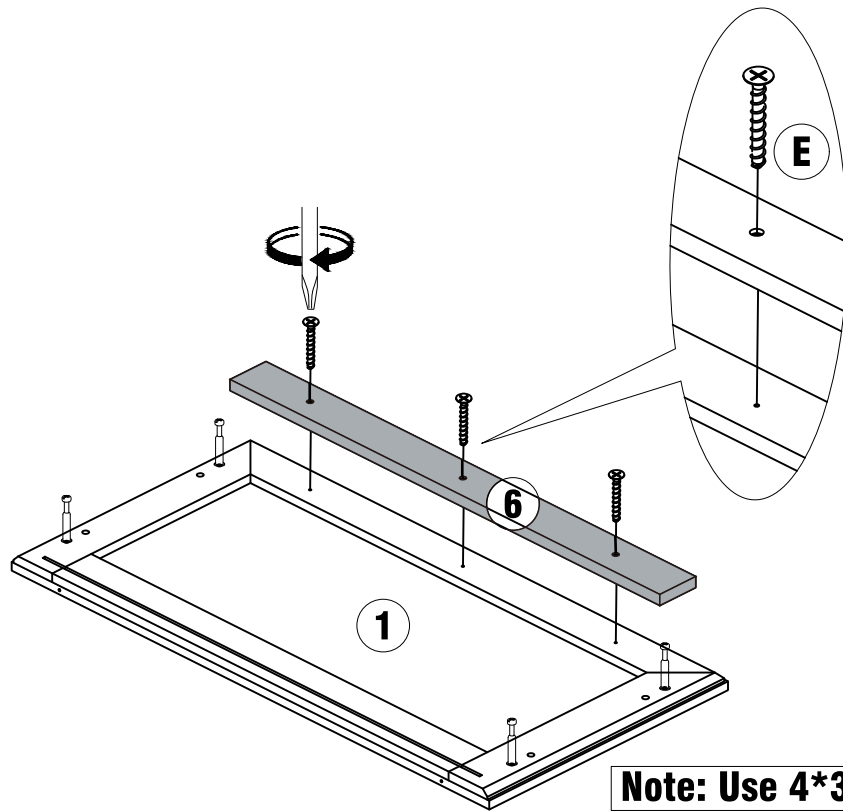
STEP 11



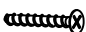
10

B  **X4**

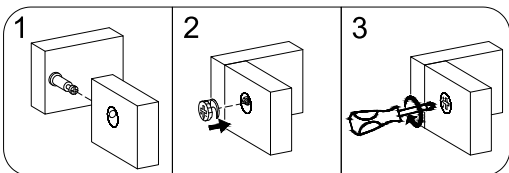
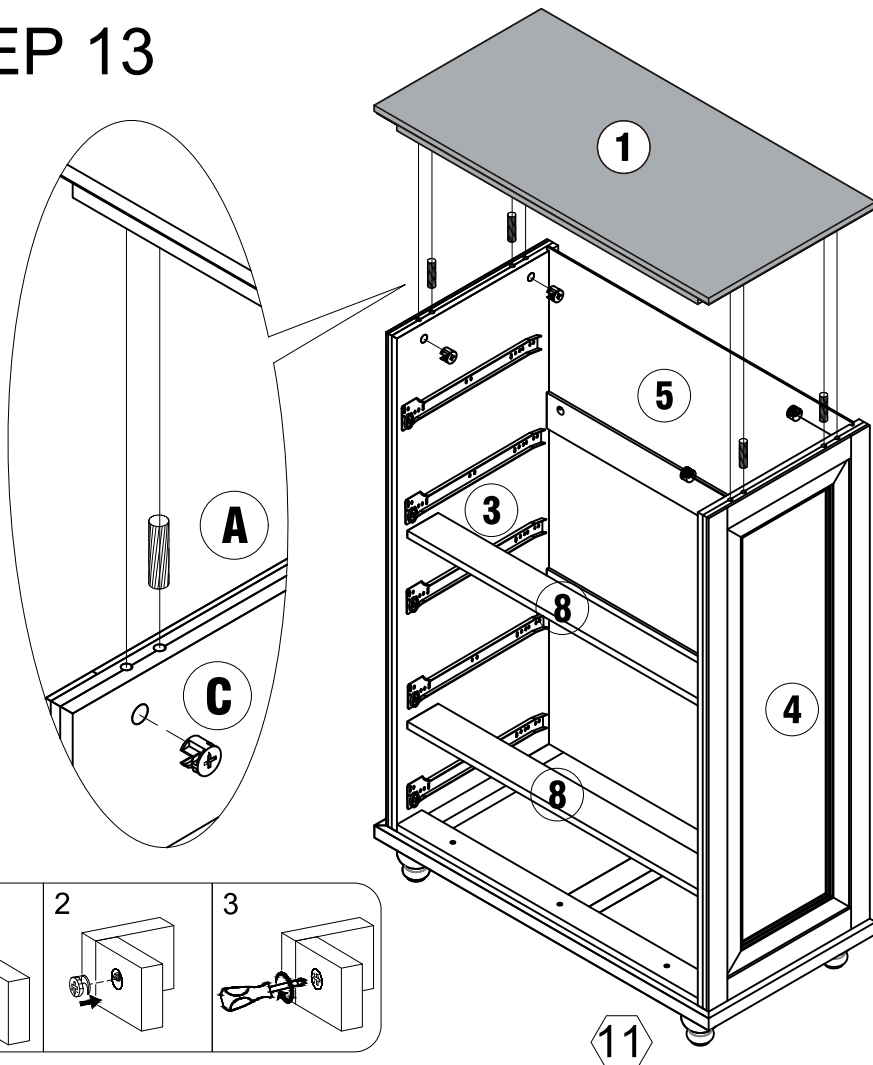
STEP 12

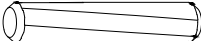



Note: Use 4*35mm Screw E

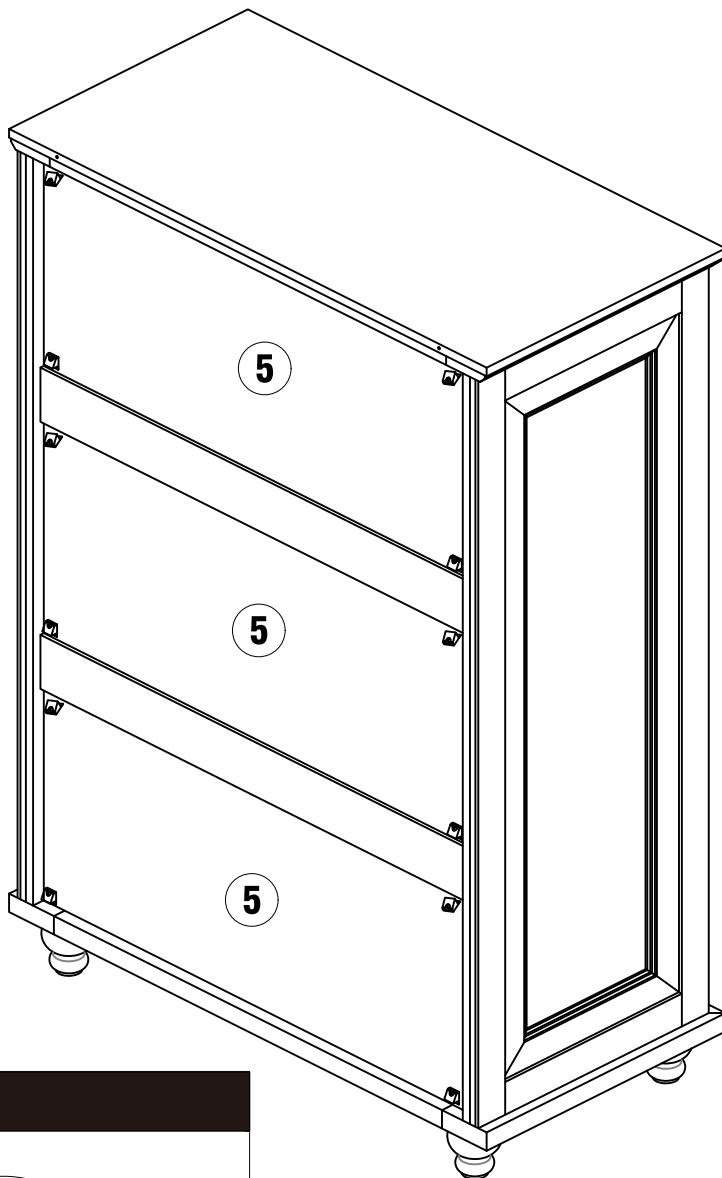
E		X3
----------	---	-----------

STEP 13

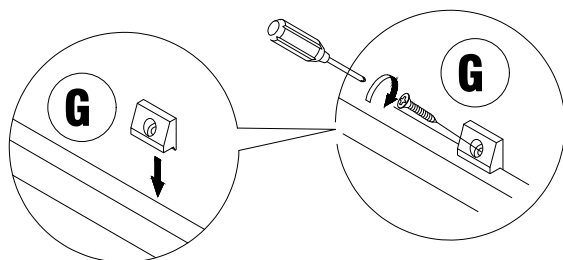


A		X4
C		X4

STEP 14



! CAUTION



**Install and tighten backplate screws
to ensure stability**

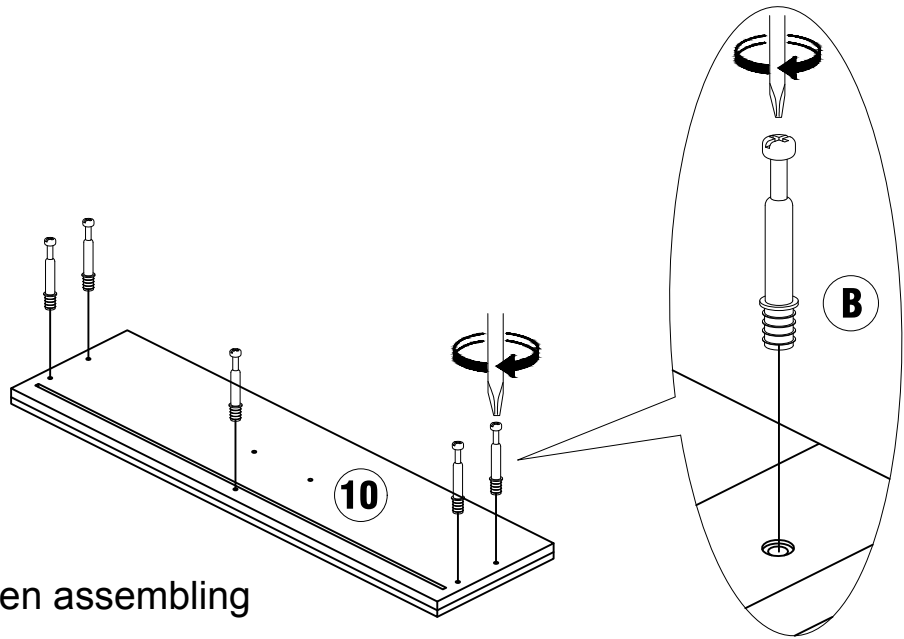
**Please be sure to install the mending
wedges to prevent the product from
becoming unstable or wobbling.**

G



X12

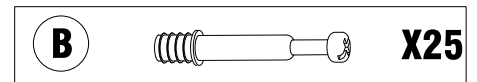
STEP 15



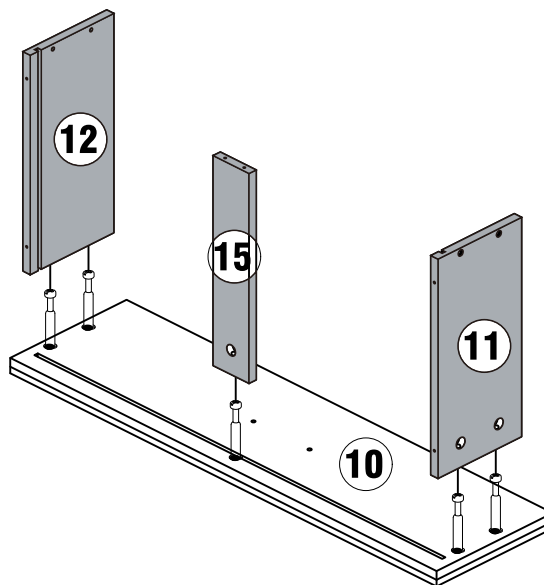
Do not use power tools when assembling the drawer panel!

Please use a screwdriver to apply force vertically and screw the screws in to prevent the wooden board from being damaged!

X5

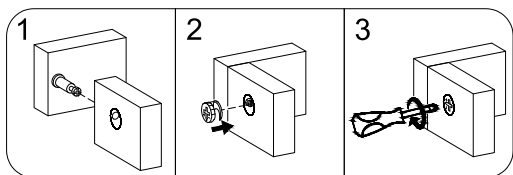
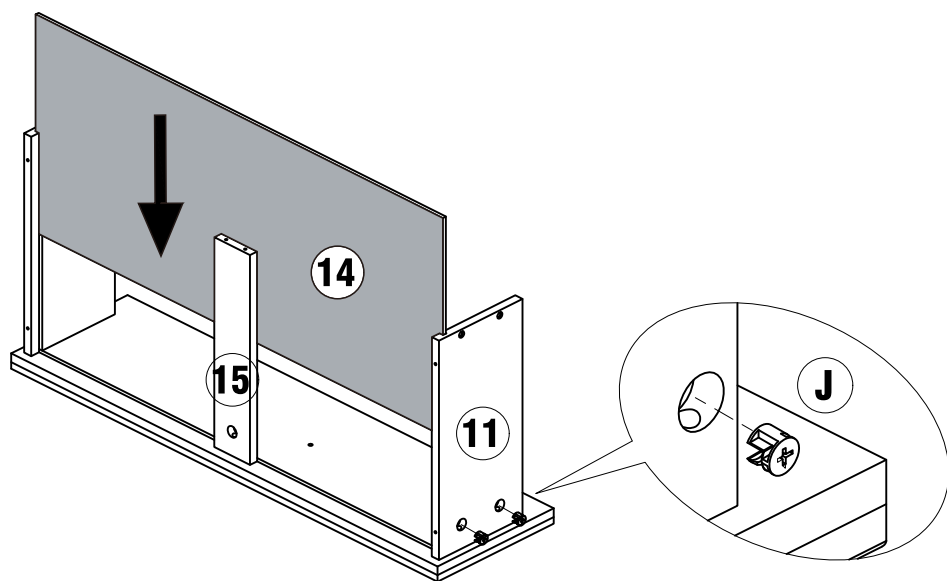


STEP 16

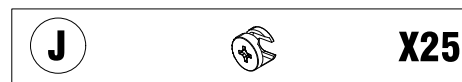


X5

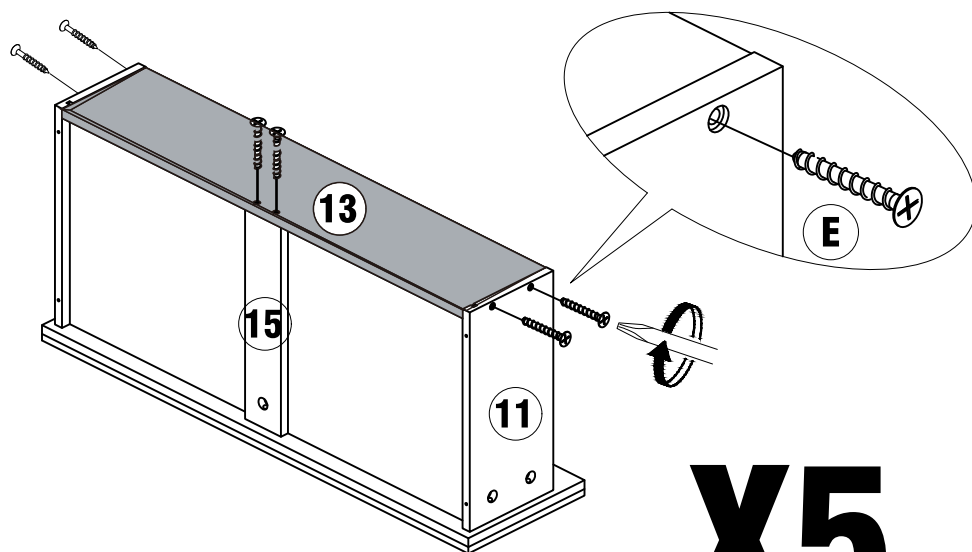
STEP 17



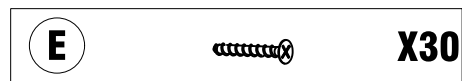
X5



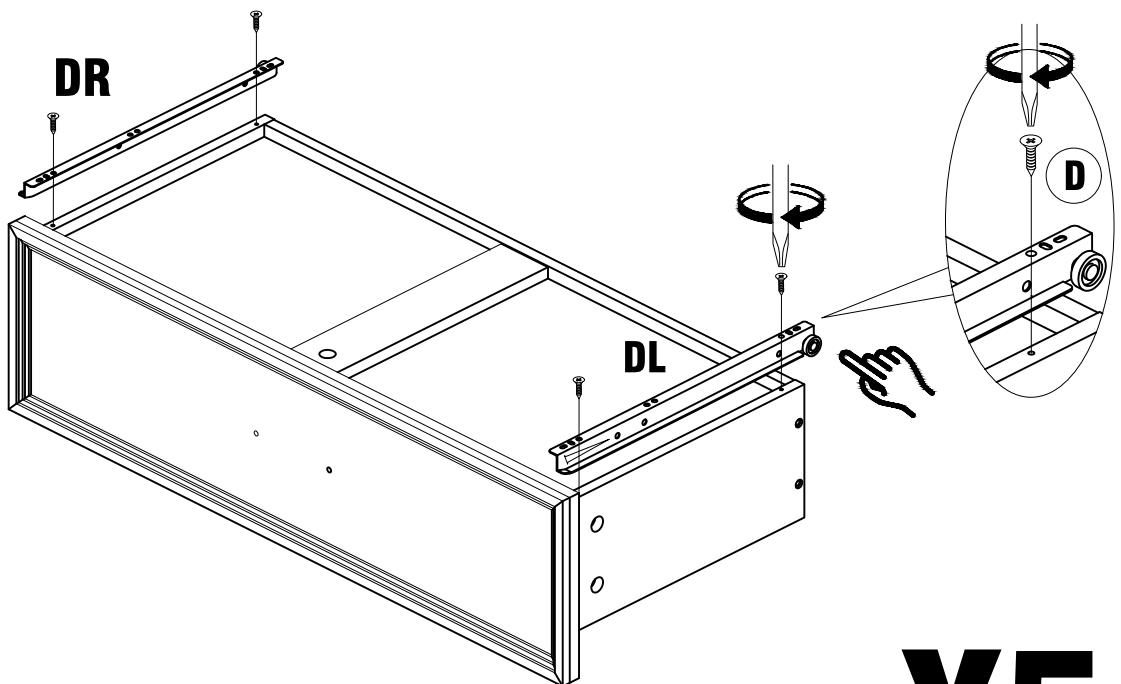
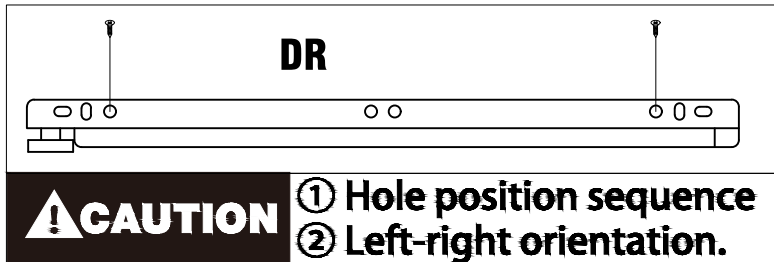
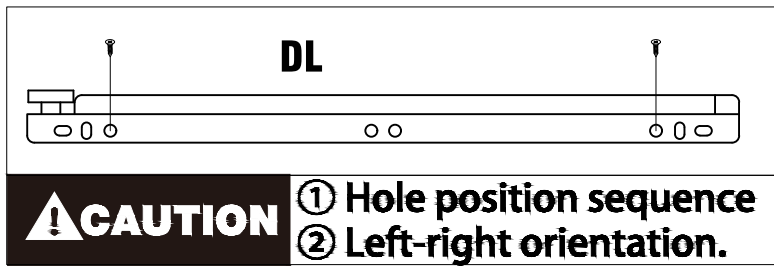
STEP 18



X5



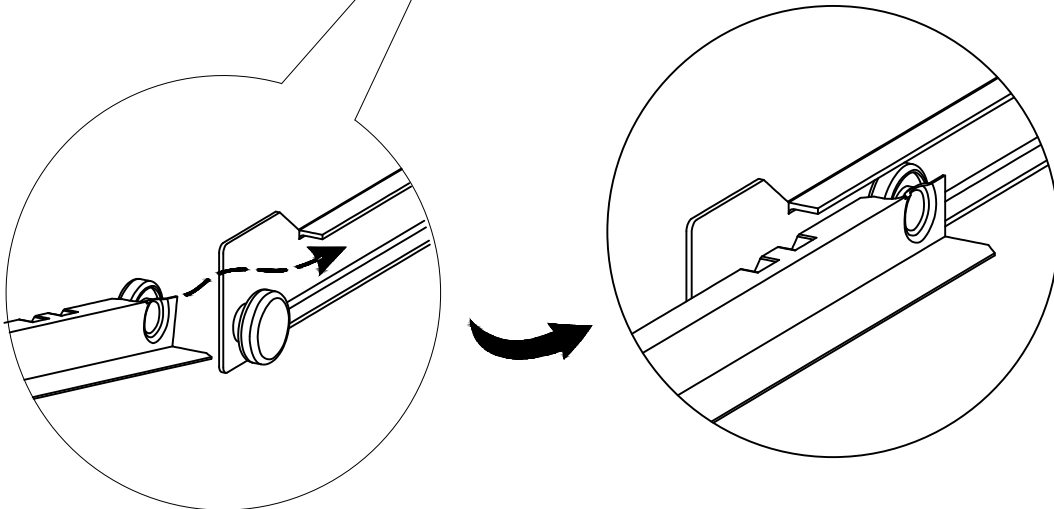
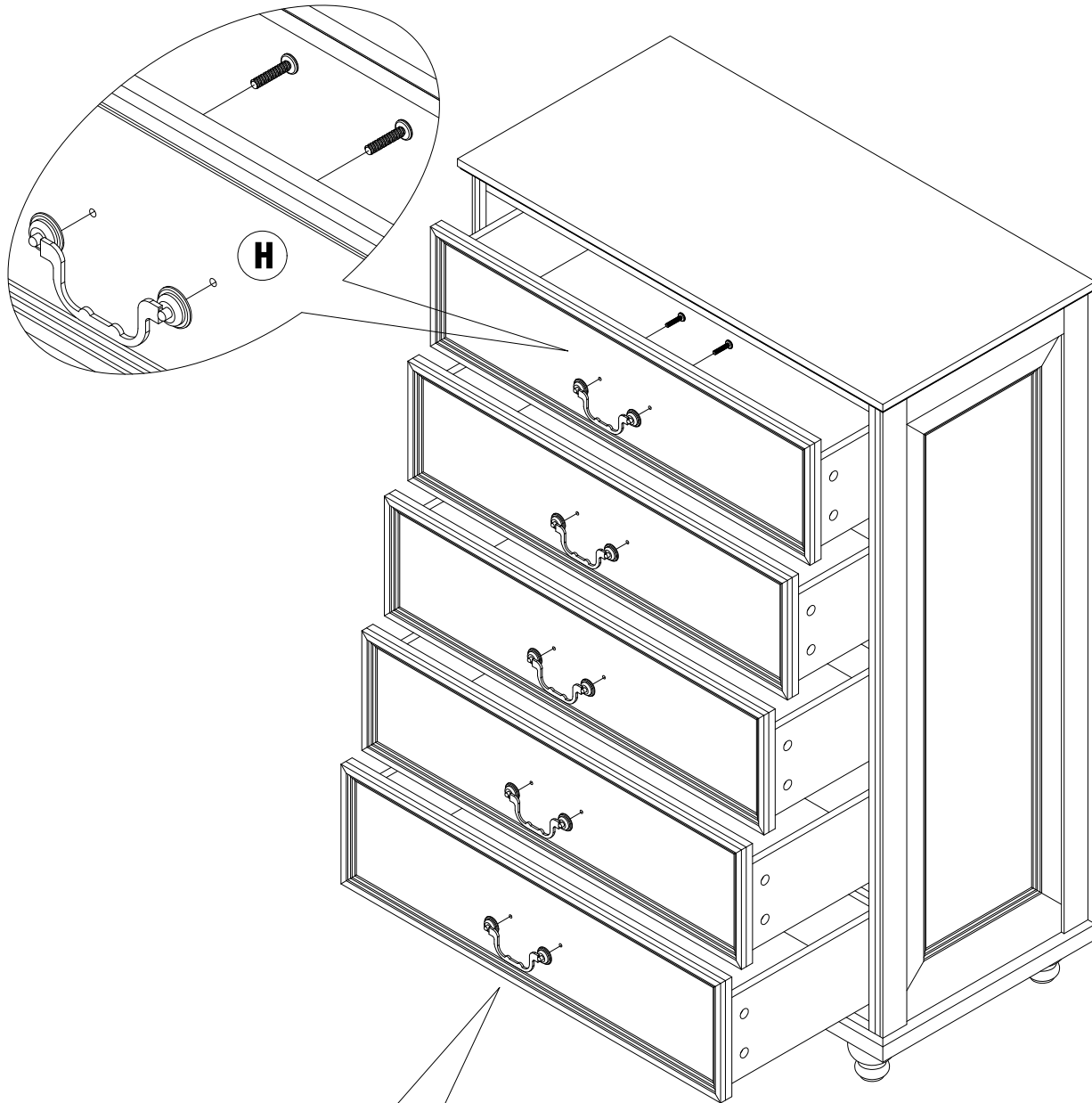
STEP 19




X5

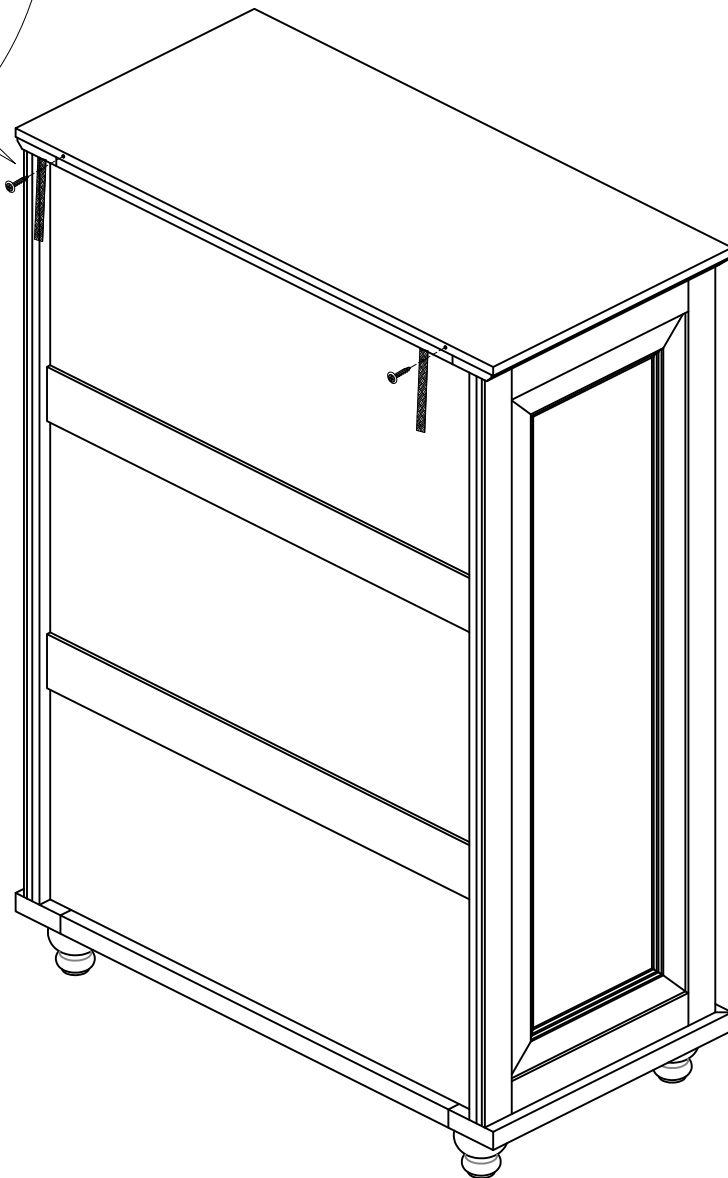
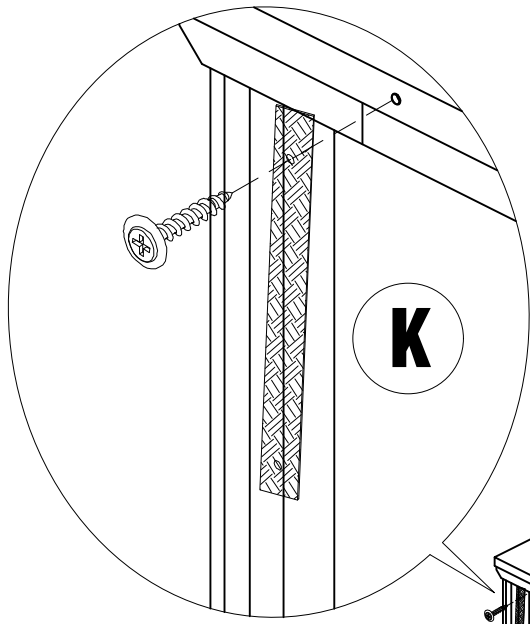
D		X20
F		X5

STEP 20

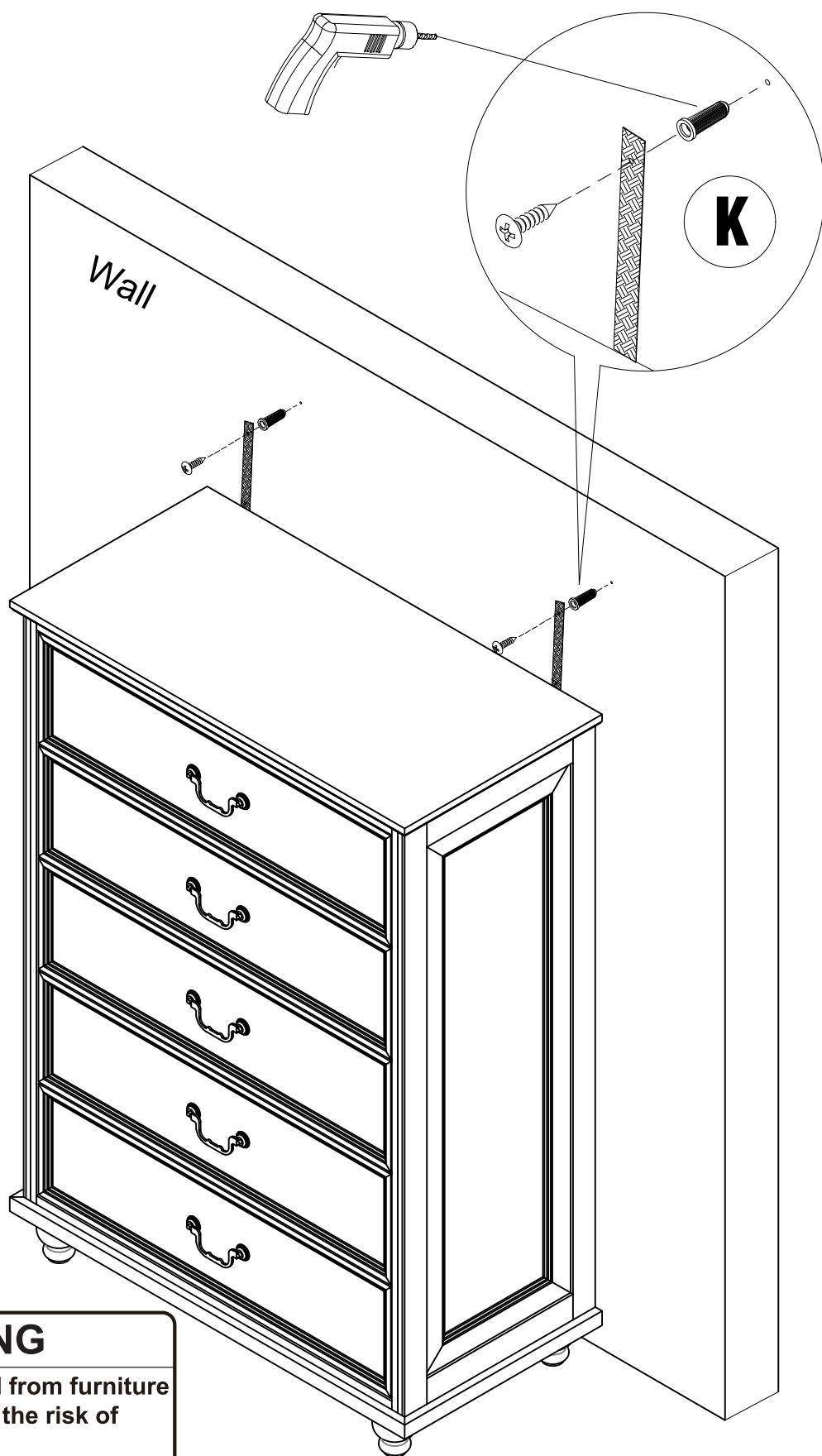


H  **X5**

STEP 21



STEP 22



▲ WARNING

Children have died from furniture tipover. To reduce the risk of furniture tipover:

- ALWAYS install anti-tip device provided.
- NEVER put a TV on this product.
- NEVER allow children to stand, climb or hang on any drawers, doors, or shelves.
- NEVER open more than one drawer at a time.
- Place heaviest items in the lowest drawers.

*this is a permanent label.
Do not remove!*