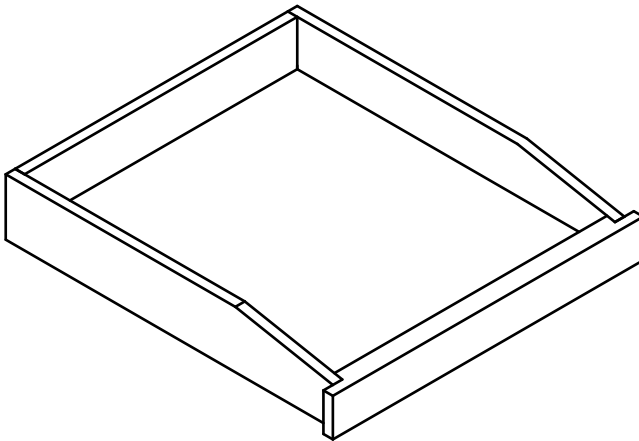


# HomLux

## INSTALLATION MANUAL

### Storage Organizer With Soft-Close Slides



#### Applicable Product Model

- |             |             |
|-------------|-------------|
| ■30D9004E0A | ■FBF6004E0B |
| ■2585004E0C | ■3030004E0D |
| ■9DA8004E0E | ■B3F6004E0F |
| ■D176004E10 | ■EC66004E11 |

Questions, problems, missing parts?  
Before returning to the store, call HomLux Customer Service  
9:00 am-5:00 pm, EST, Monday - Friday  
800-209-3199

---

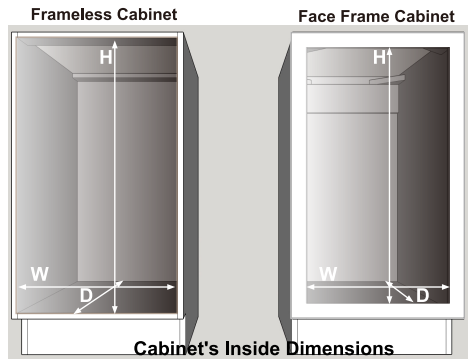
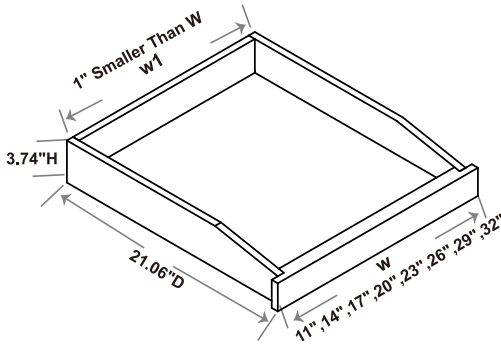
#### THANK YOU

*We appreciate the trust and confidence you have placed in HomLux through the purchase of this product.  
We endeavor to continually create high quality products to enhance your home. Thank you for choosing HomLux!*

# PRODUCT SPECIFICATION

## Product Dimension

Product Model	Product Dimension	Available For Cabinet's Minimum Inside Dimension	
30D9004E0A	11"W*3.74"H*21.06"D	12.5"W*5"H*22.5"D	W: Minimum Clear Opening Width H: Minimum Interior Clear Height D: Minimum Interior Clear Depth
FBF6004E0B	14"W*3.74"H*21.06"D	15.5"W*5"H*22.5"D	
2585004E0C	17"W*3.74"H*21.06"D	18.5"W*5"H*22.5"D	
3030004E0D	20"W*3.74"H*21.06"D	21.5"W*5"H*22.5"D	
9DA8004E0E	23"W*3.74"H*21.06"D	24.5"W*5"H*22.5"D	
B3F6004E0F	26"W*3.74"H*21.06"D	27.5"W*5"H*22.5"D	
D176004E10	29"W*3.74"H*21.06"D	30.5"W*5"H*22.5"D	
EC66004E11	32"W*3.74"H*21.06"D	33.5"W*5"H*22.5"D	



## Package Contents

- Storage Organizer
- Soft-Close Slide Set With Hardware
- Mounting Template
- Installation Manual

## Care & Maintenance

- For daily cleaning, use a dry cloth and a soft liquid cleaner.
- Never use abrasive cleaners containing acetone, chlorine or strong bleach, nor tools as scrapers, metallic brushes, and other products which can scratch or tarnish surfaces.

---

## PRIOR TO INSTALLATION

- Carefully remove all the items from the carton and place them individually on a soft cloth to prevent scratches or other damage.
- Check the included items. If any items are missing or have been damaged during shipment, please contact our service team to obtain any missing or damaged item.
- Carefully and strictly follow these installation instructions to ensure a completed product as designed.
- Do not tighten all the screws until the product is properly installed.
- Have the necessary tools ready.

## TOOLS REQUIRED



Hand Drill



Screwdriver



Tape Measure



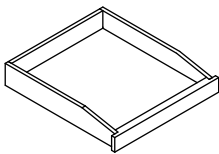
Pencil /Marker



Tape

## PARTS LIST

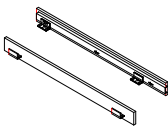
- (A)** Storage Organizer  
1 pcs



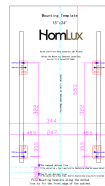
- (C)** ST4×16 Self-Tapping Screw  
14 pcs



- (B)** Slide  
1 pair



- (D)** Mounting Template  
1 pcs



# INSTALLATION INSTRUCTIONS

## STEP 1

### Separate the Slide(B).

Pull out the slide, then press the buckle to divide the slide into two parts.  
(See Figure 1)

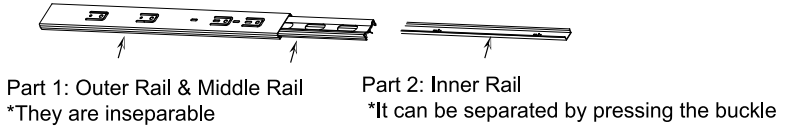
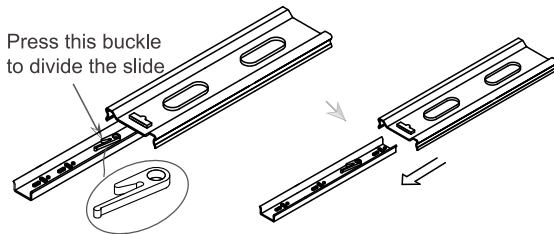


Figure 1



## STEP 2

### Install the inner rails to the Storage Organizer(A).

Fix the inner rails to the side panels with 6PCS ST4×16 Self-Tapping Screw(C)  
using three pilot holes in each side panel. (See Figure 2)

Note: You can loosen screw in vertical oval hole to adjust the rail.

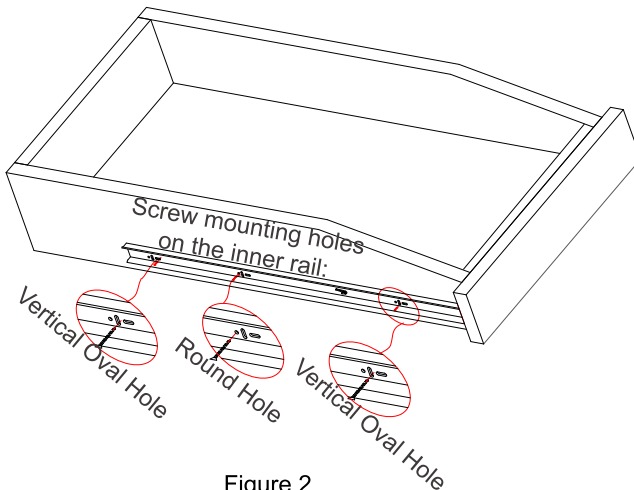


Figure 2

## STEP 3

**Install the outer rails to the cabinet's shelf board or bottom board.**

### STEP 3-1

Mark centerline in cabinet. (See Figure 3)

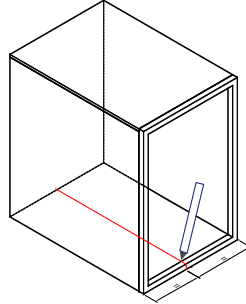
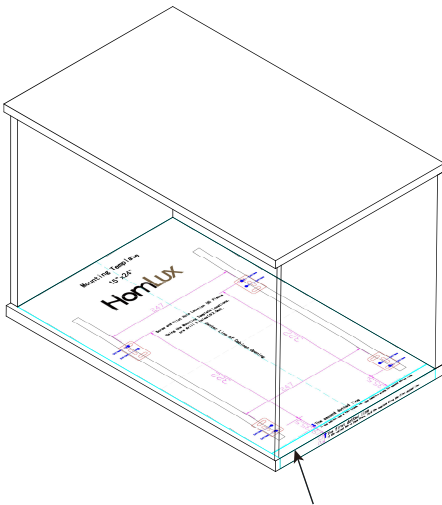


Figure 3

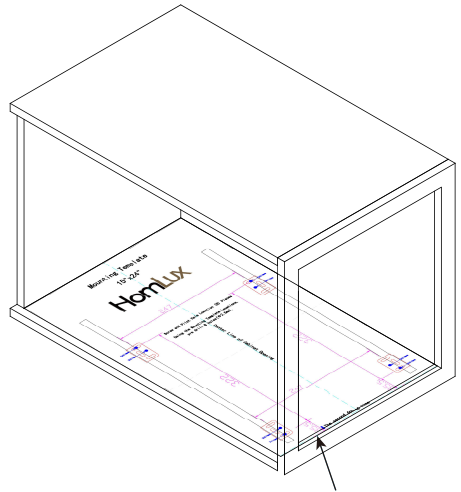
### STEP 3-2

Use Mounting Template(D) to pre-drill holes as follows:

- (1) Lay template inside cabinet.
- (2) Fold template along the first dotted line or the second dotted line to fit the front edge of the cabinet. (See Figure 4, 5)
- (3) Align the template centerline with the centerline marked in the cabinet.
- (4) Taping template to the cabinet to keep template in place.
- (5) Pre-drill eight holes ( $\Phi 2.5\text{mm}$ ) using the mounting template locations.



◆ **Frameless Cabinet:**  
Fold template along the first dotted line



◆ **Face Frame Cabinet:**  
Fold template along the second dotted line

Figure 4

Figure 5

### STEP 3-3

Remove the template and drive 4PCS ST4×16 Self-Tapping Screw(C) into the center of the oval holes in both the front and rear L-brackets of the rails.  
(See Figure 6)

Note: You can loosen screws in oval holes to adjust the rails.

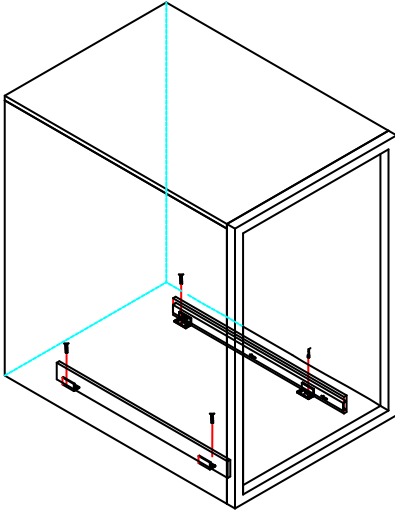
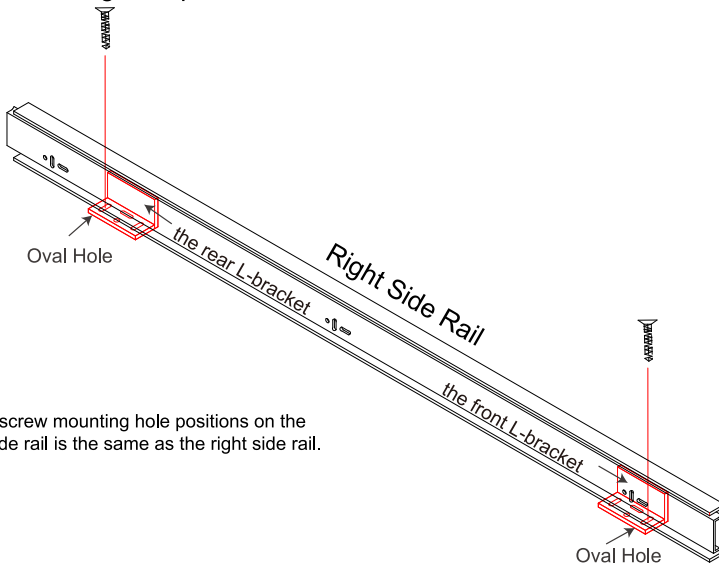


Figure 6

- Screw mounting hole positions on the cabinet rails:



\*The screw mounting hole positions on the left side rail is the same as the right side rail.

## STEP 4

### Attach the Storage Organizer(A) to the cabinet rails.

#### STEP 4-1

For both cabinet rails, slide the inner ball bearing carriage all the way forward to the stop, then insert the organizer into the cabinet rails and push the organizer back until you feel that the slides have fully engaged. (See Figure 7, 8, 9) (you will hear a “click” sound)

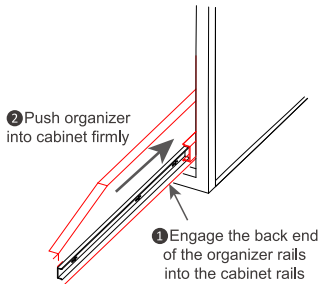


Figure 7

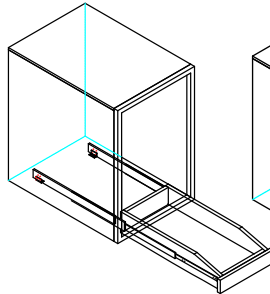


Figure 8

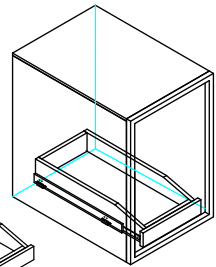


Figure 9

#### STEP 4-2

Test the in and out glide motion of the organizer to be sure it is smooth.

Note: If the organizer is too tight or too loose, loosen the screws in the oval holes of the cabinet rail L-brackets and nudge the rail to the right or left as needed, then re-tighten.

#### STEP 4-3

Press the buckles on the inner rails to remove the organizer, then drive 4PCS ST4×16 Self-Tapping Screw(C) into the round holes in the cabinet rail L-brackets to lock the rails into position. (See Figure 10)

- Screw mounting hole positions on the cabinet rails:

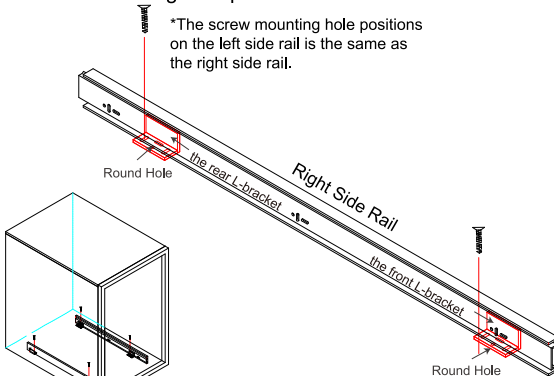
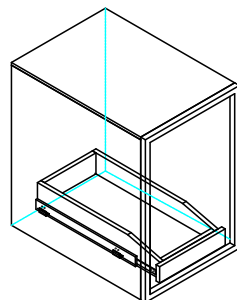


Figure 10

*Place the organizer back into the cabinet.  
The installation of this product is complete.*



# HomLux

[www.homluxproducts.com](http://www.homluxproducts.com)

**If you have any question,  
please feel free to contact our customer service team.**

**E-mail: [help@homluxproducts.com](mailto:help@homluxproducts.com)**

**TEL: 800-209-3199 (9:00 am-5:00 pm, EST, Monday - Friday)**