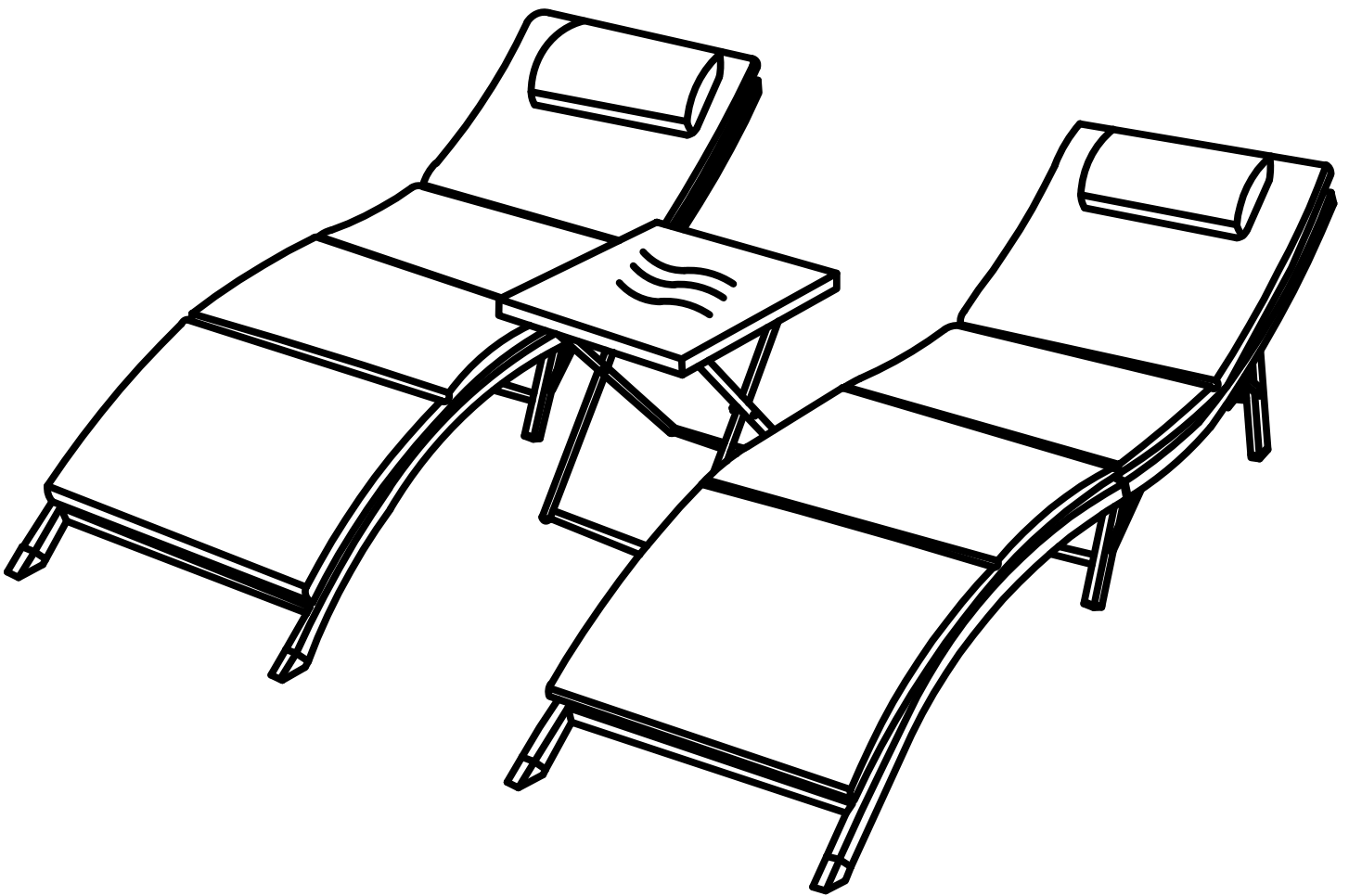


Lounge Chair Suit

Instructions



Care & Instructions

Thank you for ordering the leisure set, here are some tips that may help you.

1. This leisure set consists of a box with two reclining beds and a small coffee table. This product does not require the installation of any screws, is directly unfolded and can be used.
2. During installation, please take out all parts at the same time and be careful not to smash them.
3. When you get the cushion, please tear open the PE compression bag packaging, the cushion will spring back to normal. We also have ties and Velcro can fix our cushion and the recliner itself, making it more snug and comfortable.
4. If any part is damaged, please do not worry, you can always contact us, and we will provide you with a good solution.
5. In order to prolong the service life of the sofa fabric cover, we suggest you to keep all the cushions indoors on rainy days.
6. We hope you will like our products, and we are equally looking forward to our products bringing you a good leisure experience. If you have any other questions, please feel free to contact us.

How To Cover Holes & Repair Broken Wicker



Step 1



Step 2



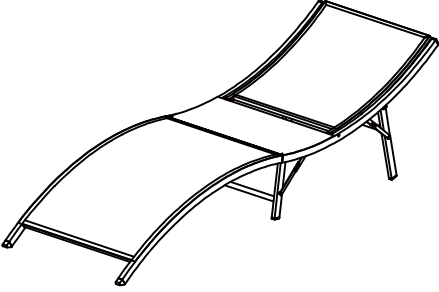
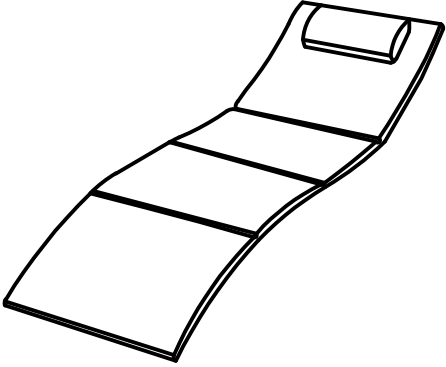
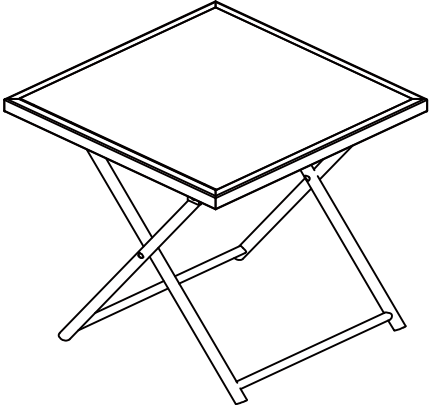
Step 3



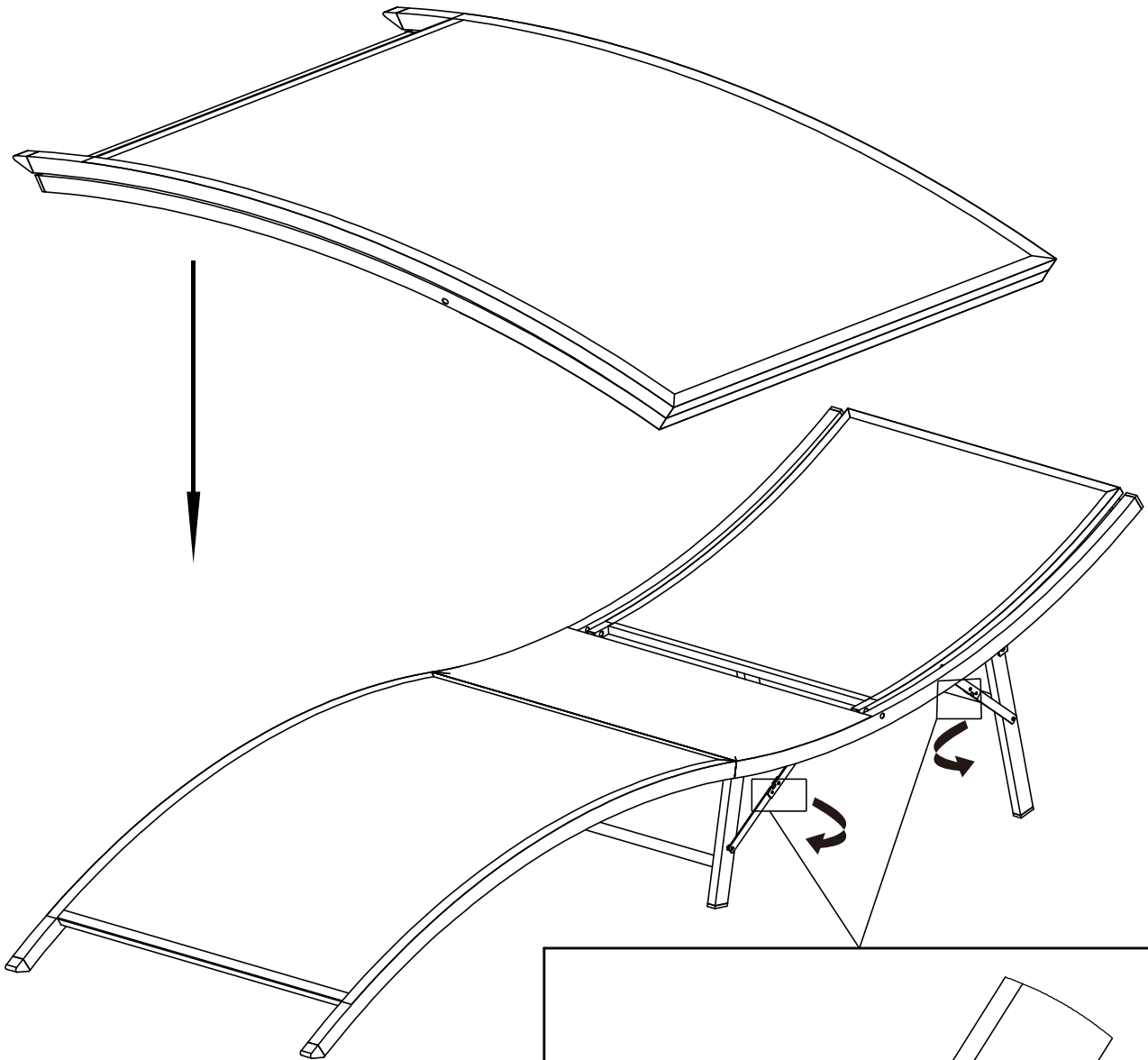
Step 4

You can use two pieces PE wicker to cover the hole, and repeat the steps to cover all the holes. These PE wicker can also be used to repair the scratch or broken wicker.

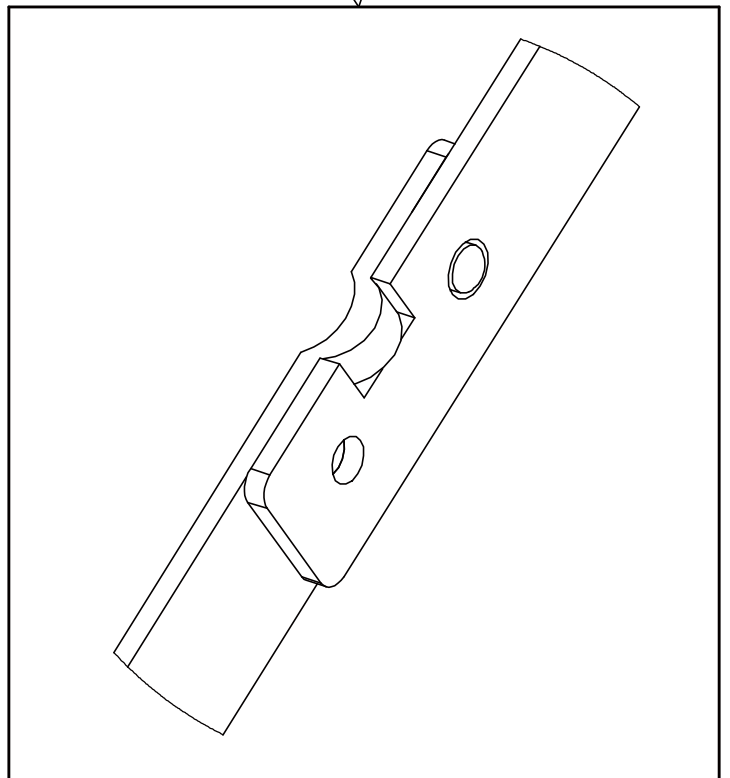
Paking Lists

Part	Img	Description	Qty
A		Deck Chair	2 PCS
B		Sofa Cushion	2 PCS
C		Tea Table	1 PCS

Step1:Unfold lounge chair A

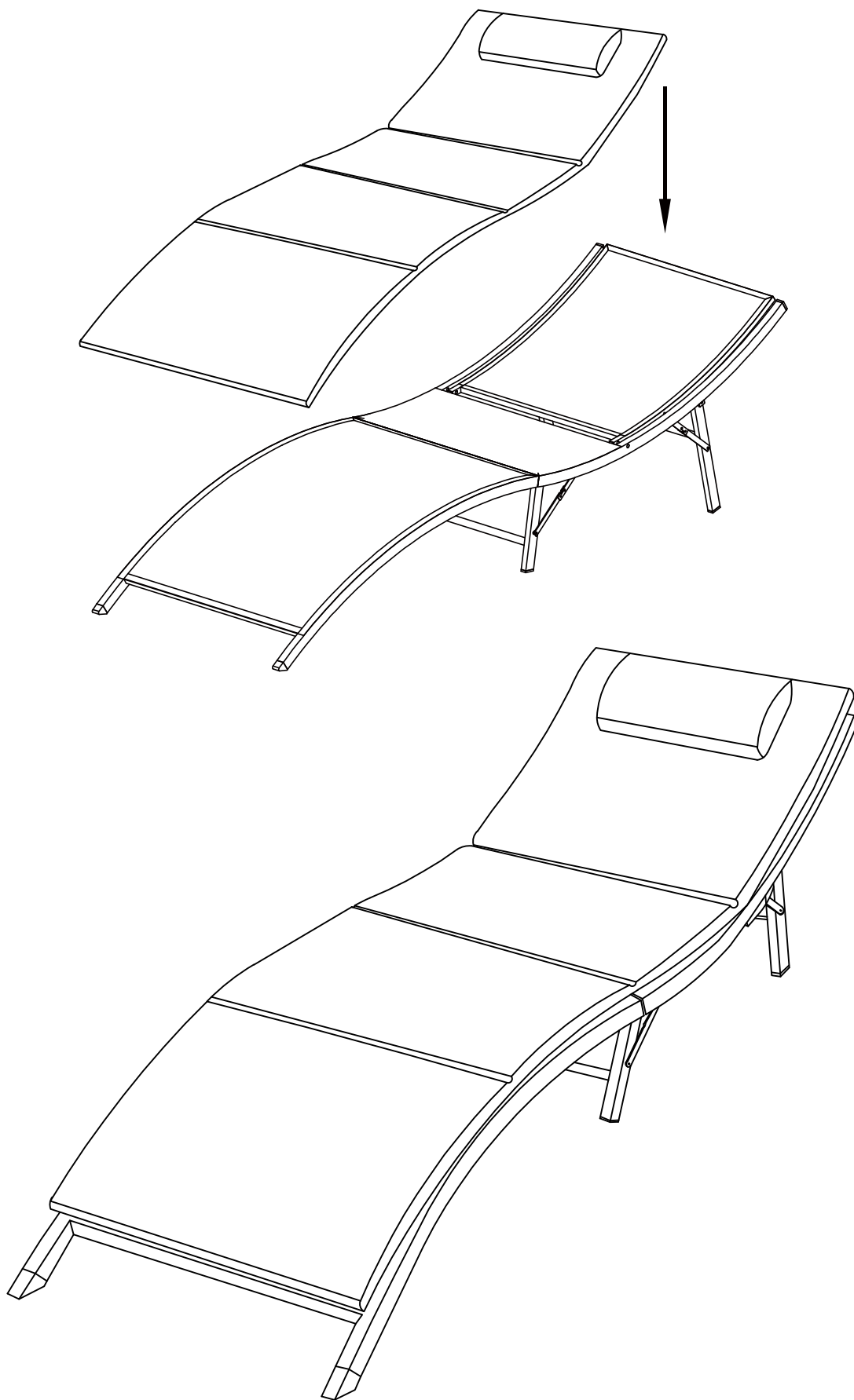


Warning:
When expanding or
merging does not put
your hands on the
rotating mechanism to
prevent injury



Tips:Safeti parts need to be
locked in place

Step2:Tie B and A together



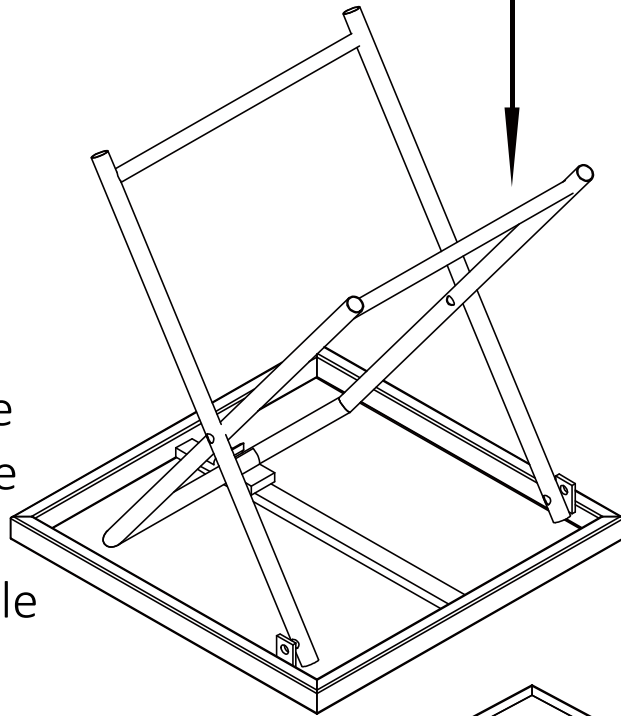
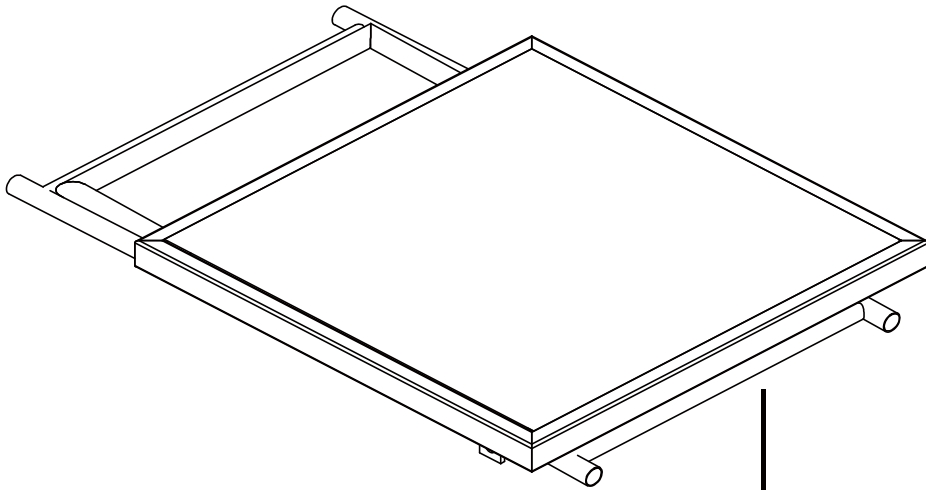
Installation completion diagram

Step3:Adjust the backrest height

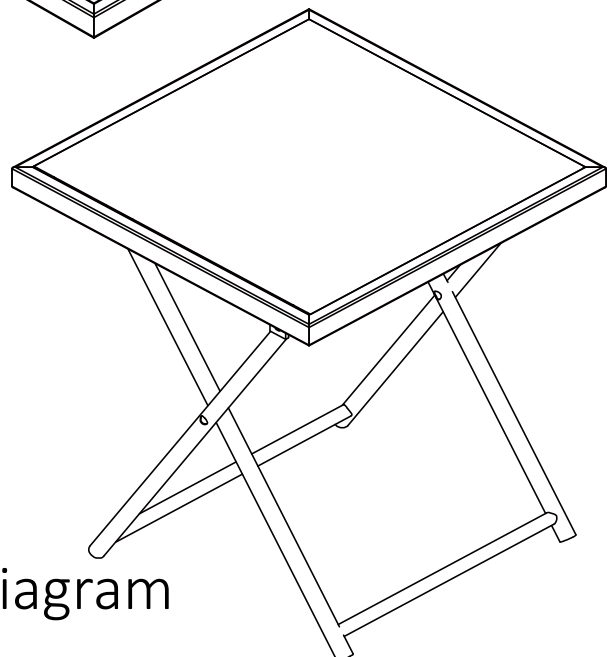
Tips:The back height of the recliner can be adjusted according to its own needs



Step4:Unfold tea table C



Tips:Insert a movable inner foot of the tea table into the plastic buckle



Installation completion diagram