



---

#### LIGHT SOURCE DATA

- 40W Max E27 ES (required)
- Lamp direction - Indirect
- Lamp shape - Standard
- Non-dimmable
- Energy range: A++, A+, A, B, C, D, E

#### DIMENSION DATA

- Height 520mm
- Diameter 280mm
  
- Weight .77kg

---

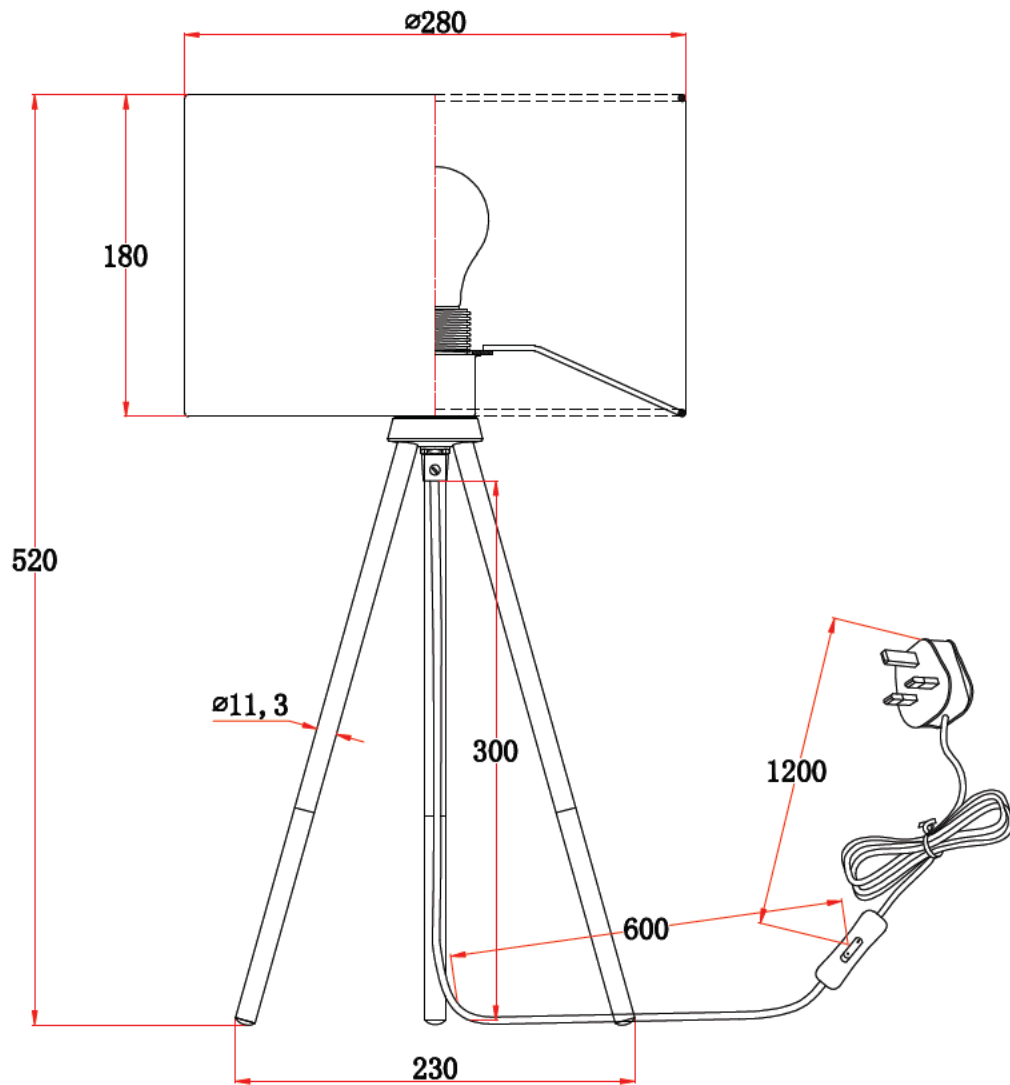
#### SPECIFICATION

- Manufacturer warranty for 2 years from date of purchase
- Matt black paint with copper plate detail and black & copper lined cotton
- IP20
- In-line On/Off Switch
- Class II - Double Insulated, No Earth
- 240V
- Assembly required? No
- Black PVC cable, 1200mm black plug to black switch, 600mm black switch to lampholder
- CE Marking, Energy Efficient, Energy Saving

---

#### CERTIFICATION





CERTIFICATION

