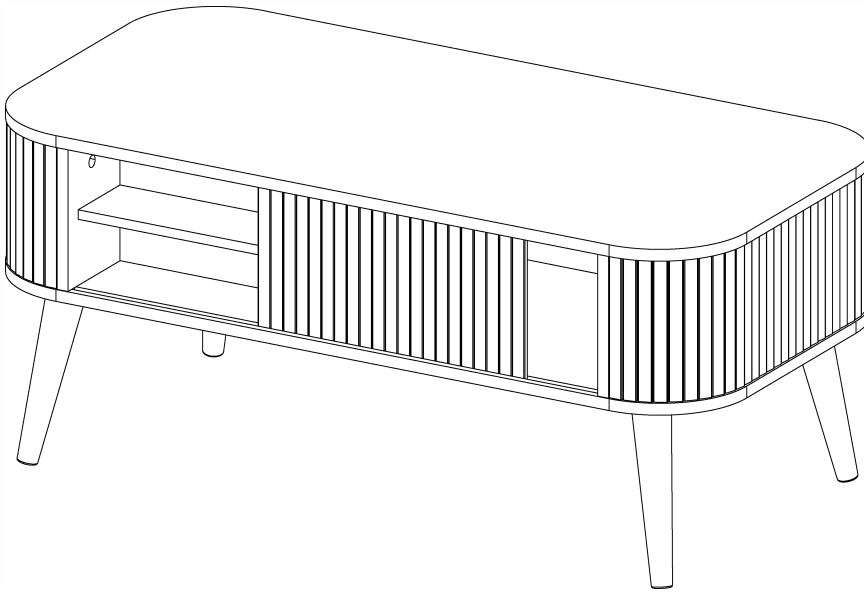


SKU:HK-CT-007-N

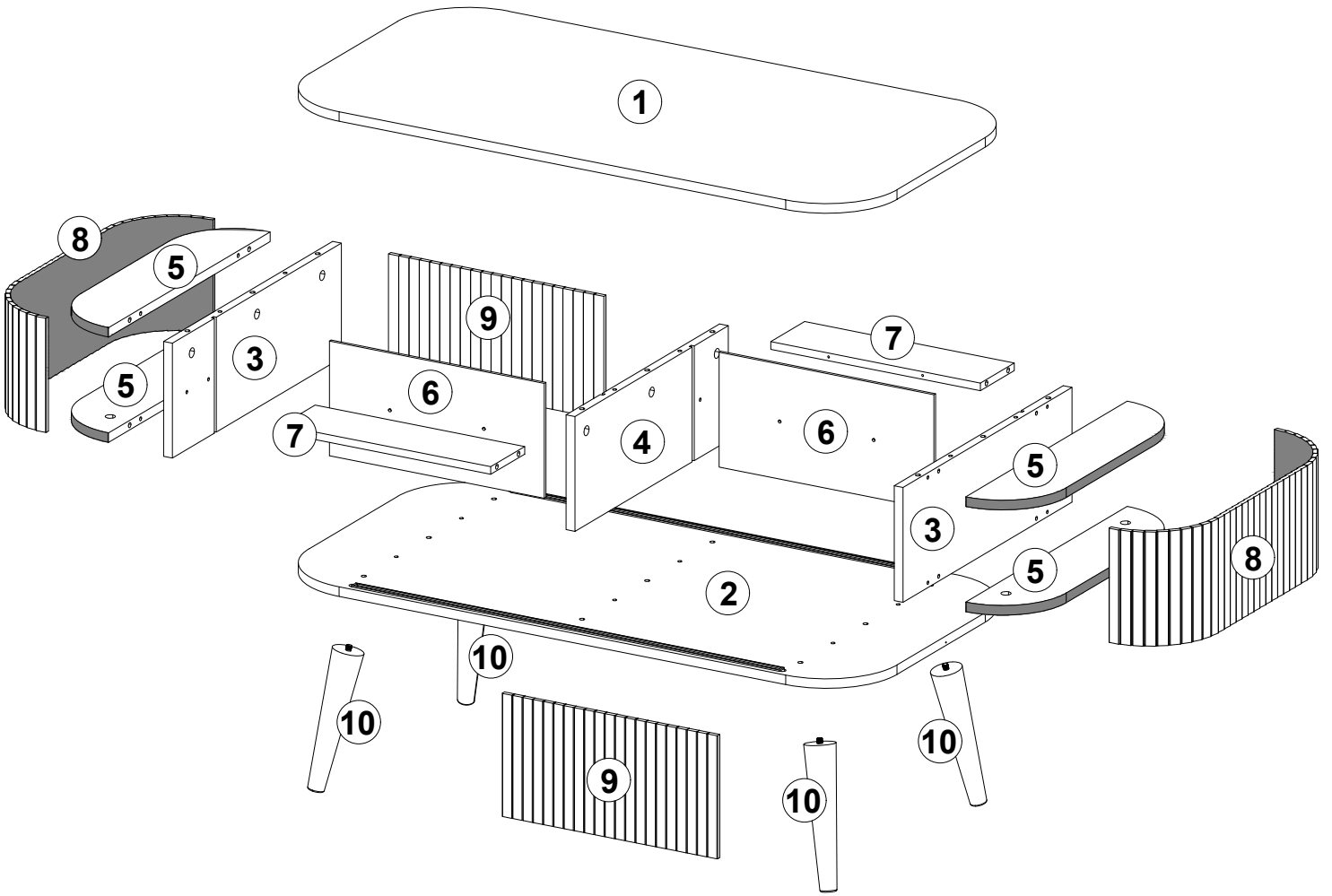
User Manual

Z11-20260205

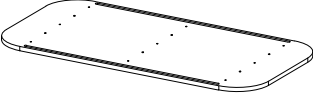

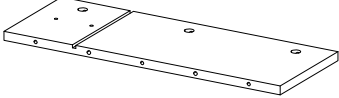
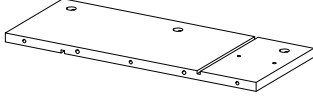
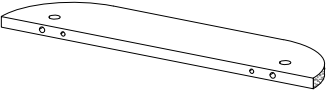
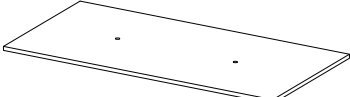
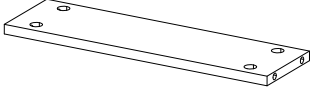
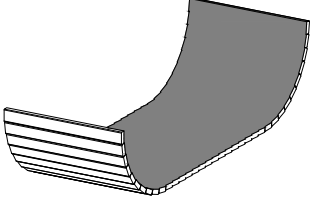
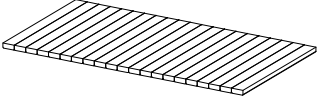
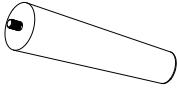
Content

○ Disassembly Diagram	01
○ Accessories	02-03
○ Assembly Instructions	04-15
	
○ Problems You May Encounter	16

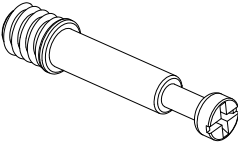
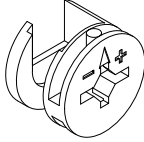
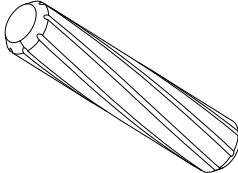
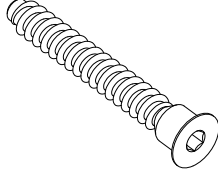
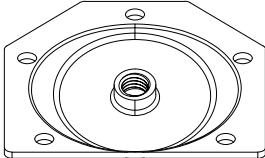
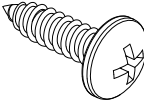
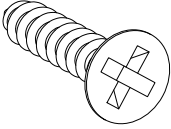
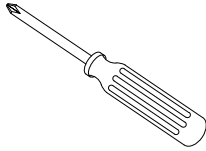
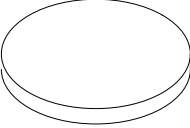
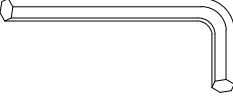
Disassembly Diagram



Accessories

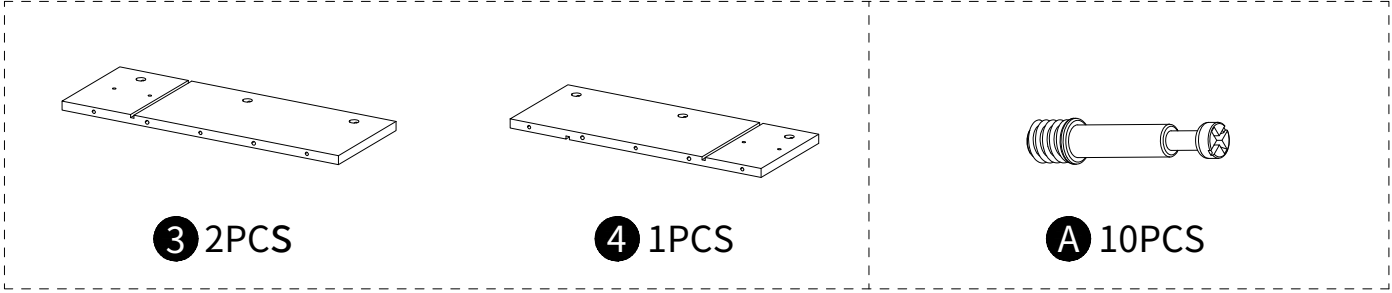
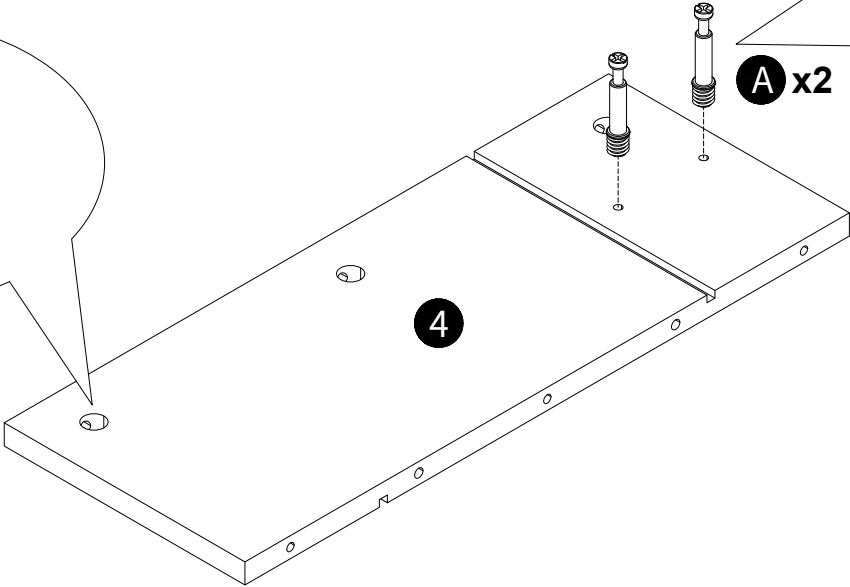
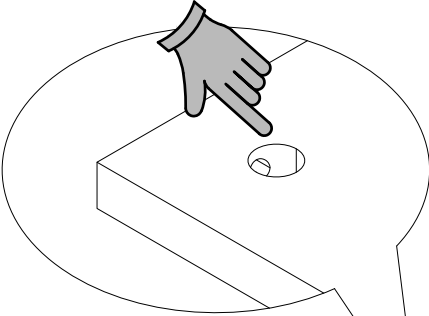
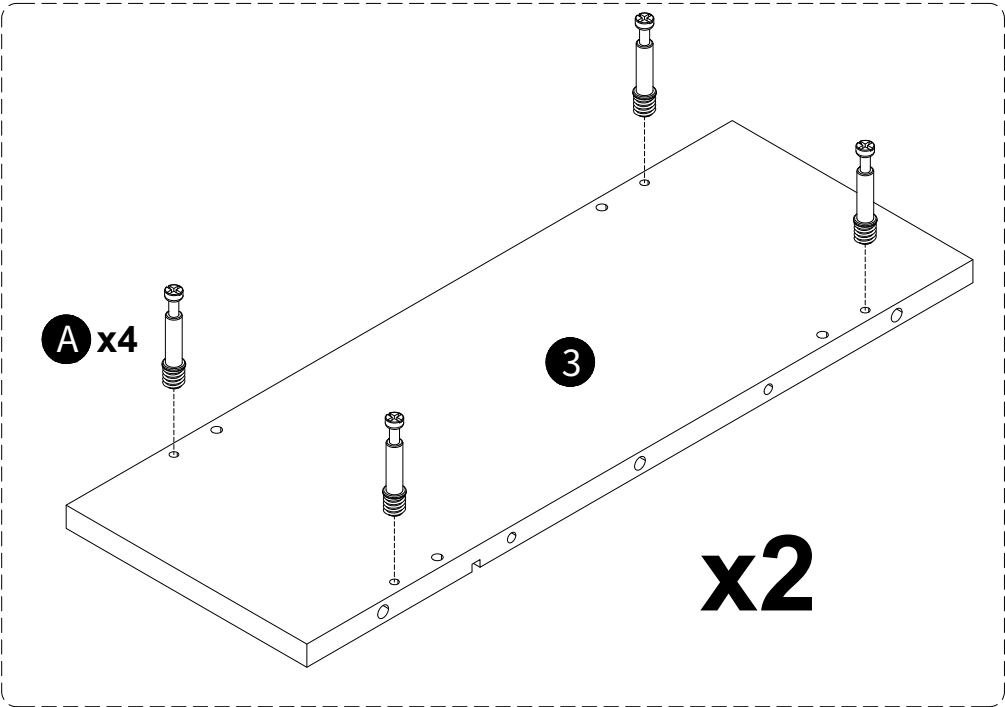
<p>1 x 1</p> 	<p>2 x 1</p> 	<p>3 x 2</p> 	<p>4 x 1</p> 
<p>5 x 4</p> 	<p>6 x 2</p> 	<p>7 x 2</p> 	<p>8 x 2</p> 
<p>9 x 2</p> 	<p>10 x 4</p> 		

Accessories

<p>A x 25 +2</p>  <p>M6*40mm</p>	<p>B x 25 +2</p>  <p>Ø15*9.5mm</p>	<p>C x 20 +2</p>  <p>Ø6*30mm</p>	<p>E x 9 +1</p>  <p>M7*50mm</p>
<p>F x 4</p> 	<p>G x 20 +2</p>  <p>M4*12mm</p>	<p>H x 4 +1</p>  <p>M3.5*16mm</p>	<p>I x 1</p> 
<p>K x 9 +1</p>  <p>Ø20mm</p>	<p>L x 1</p>  <p>4mm</p>		

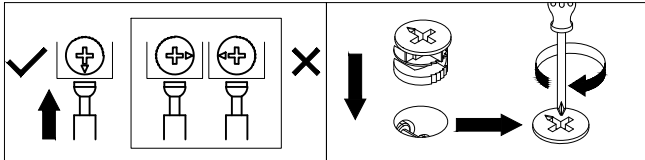
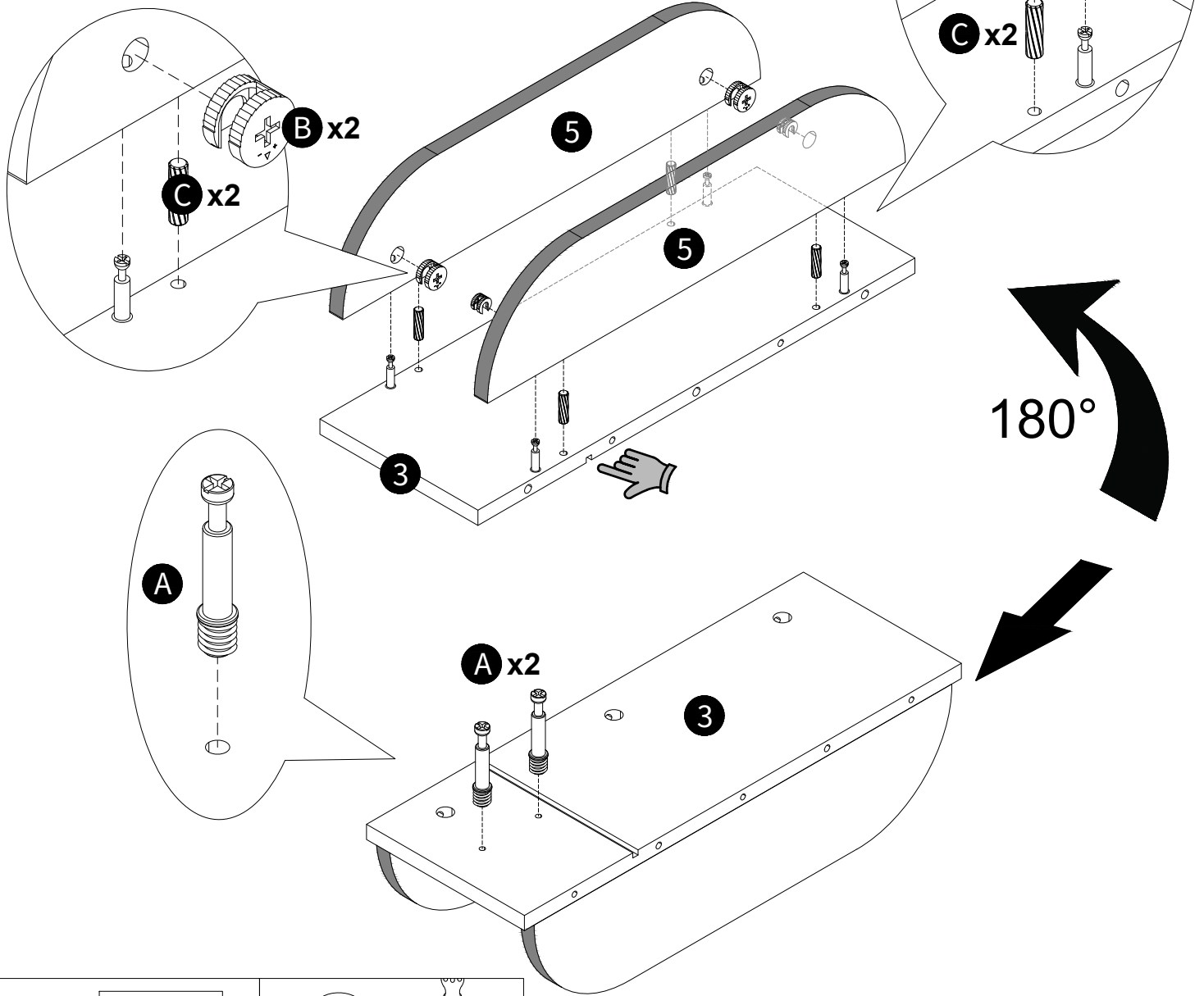
Assembly Instructions

Step 1:



Assembly Instructions

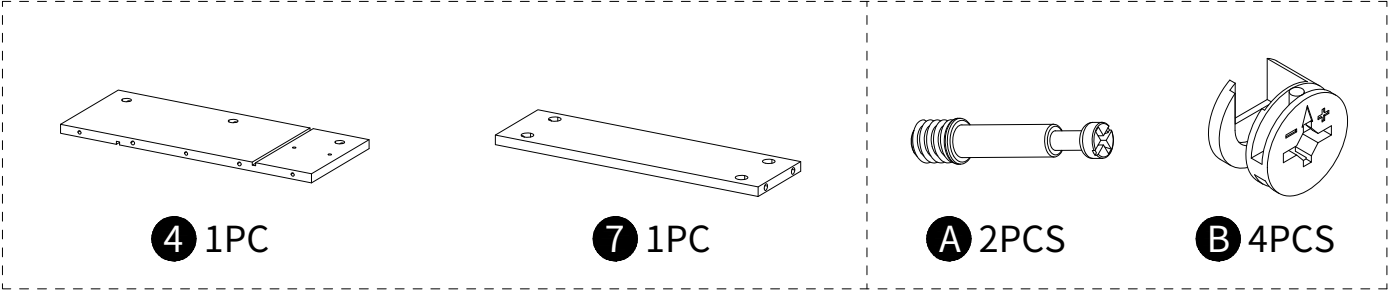
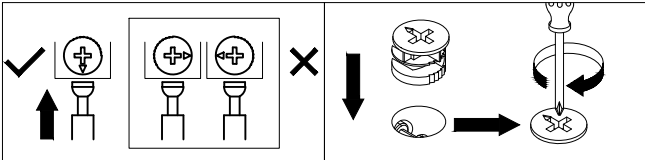
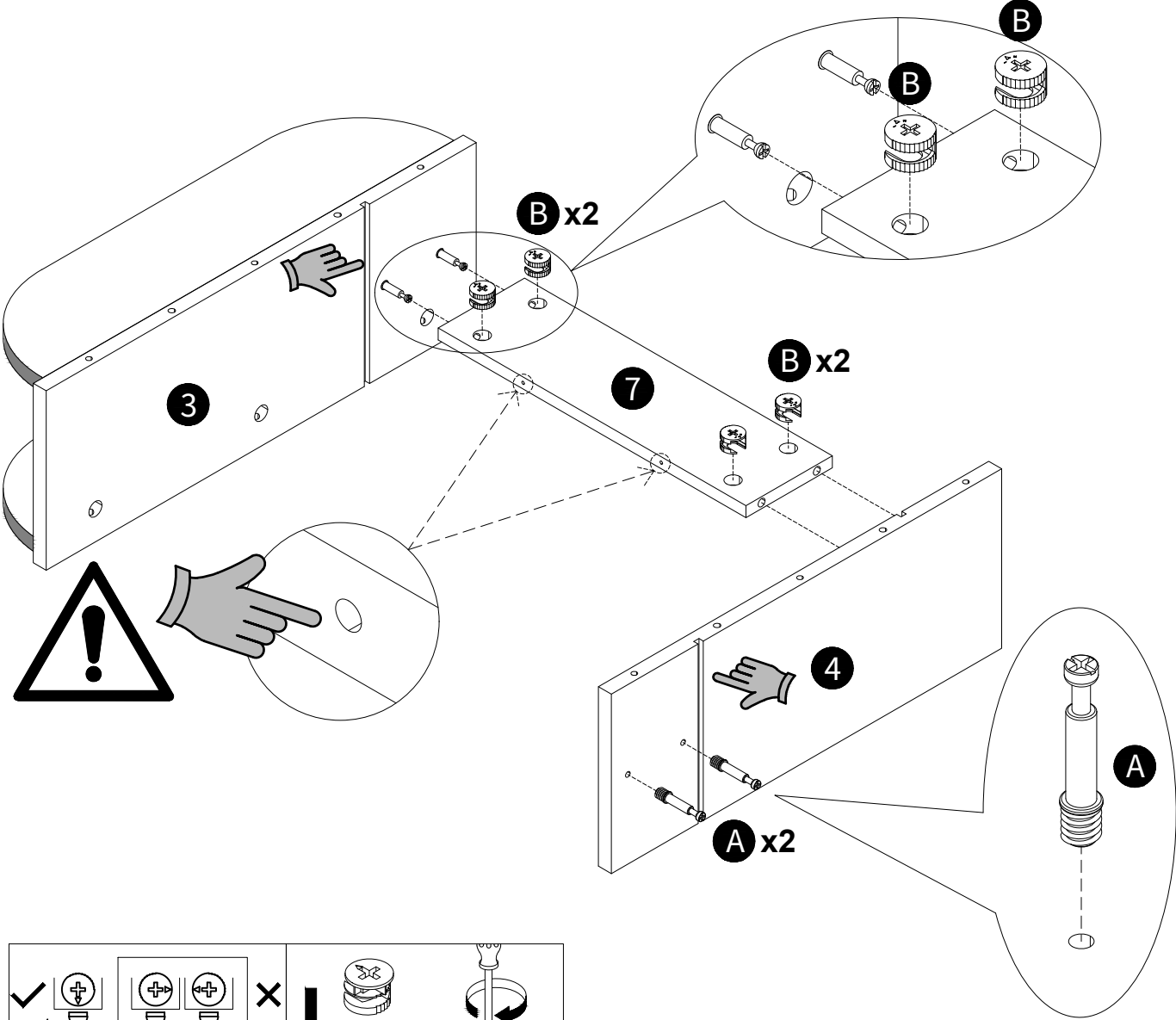
Step 2:



- 3** 2PCS
- 5** 4PCS
- A** 4PCS
- B** 8PCS
- C** 8PCS

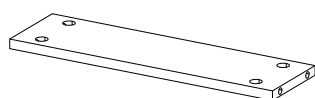
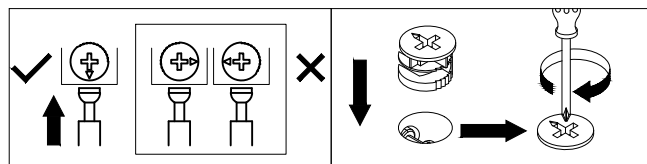
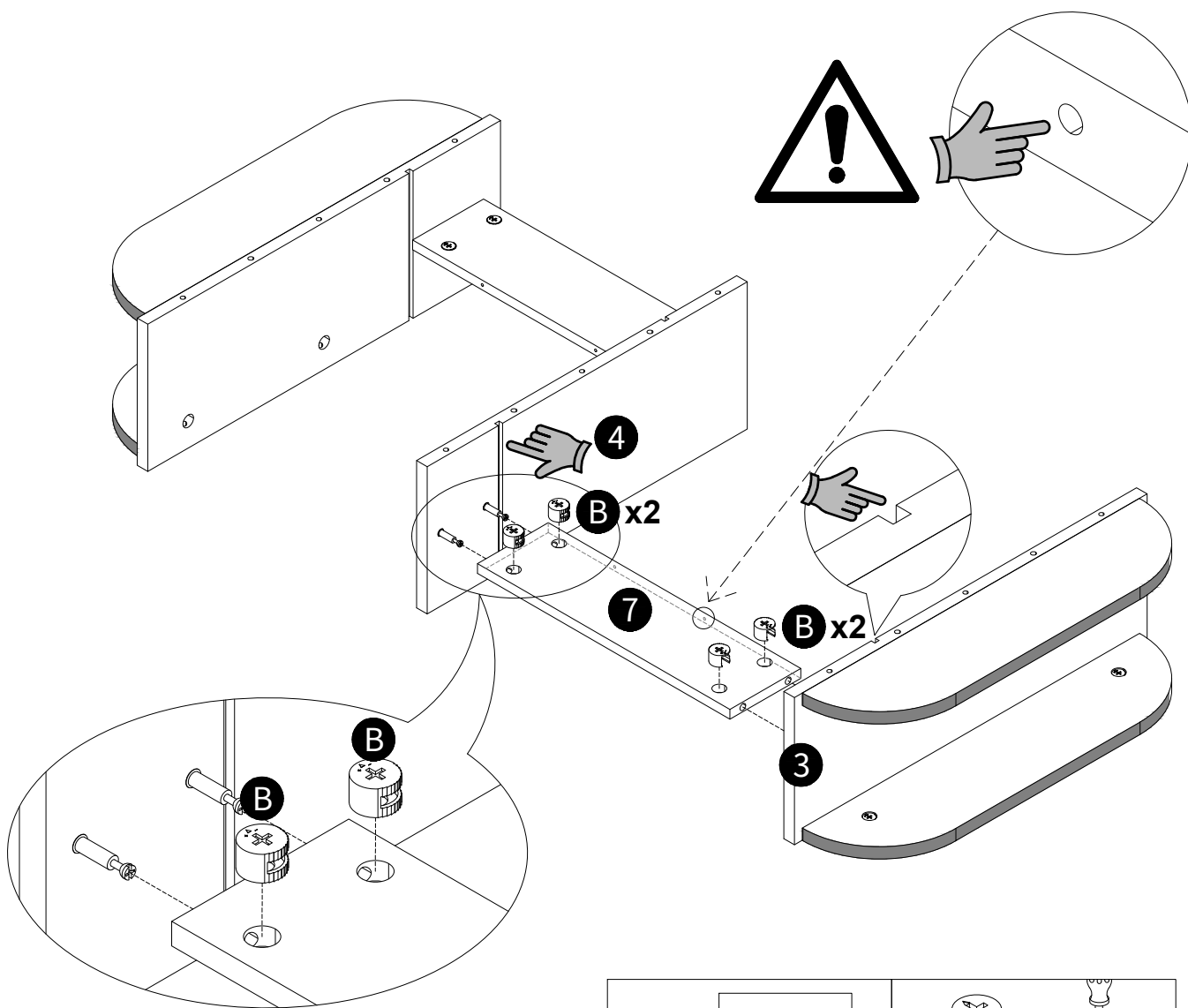
Assembly Instructions

Step3:

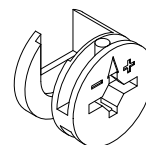


Assembly Instructions

Step4:



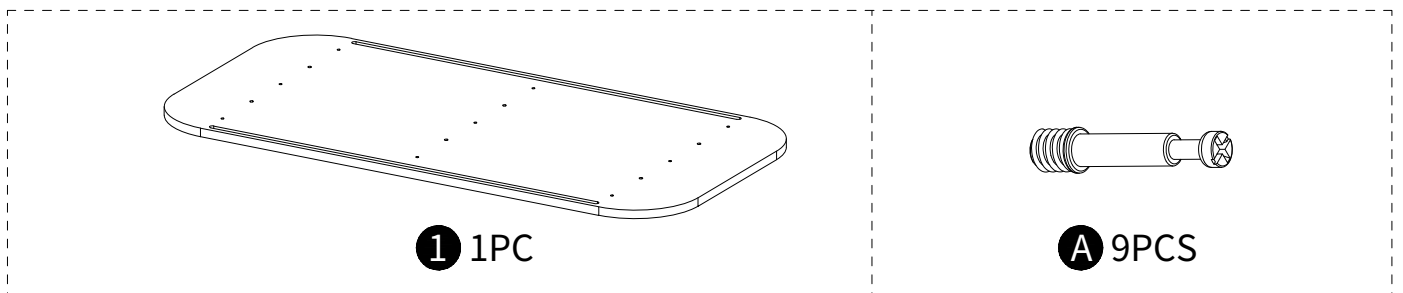
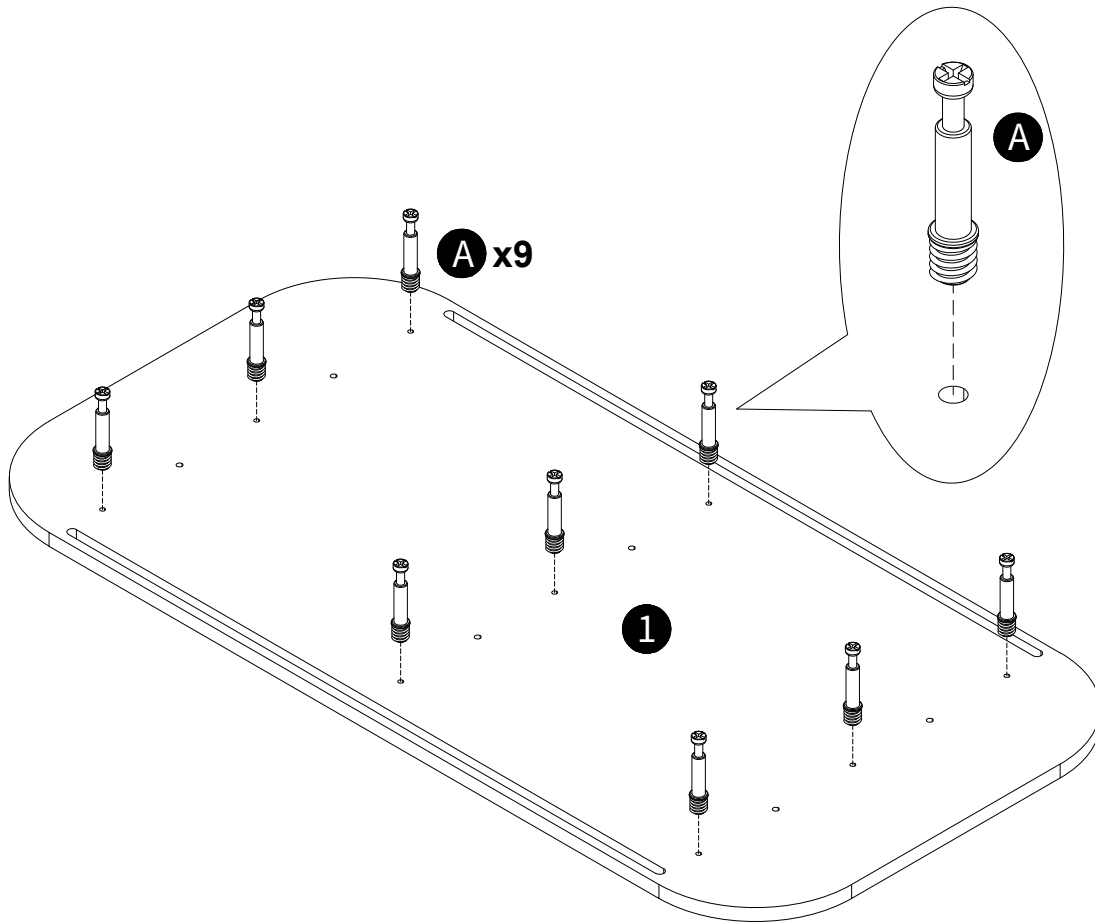
7 1PC



B 4PCS

Assembly Instructions

Step5:

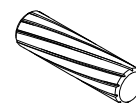
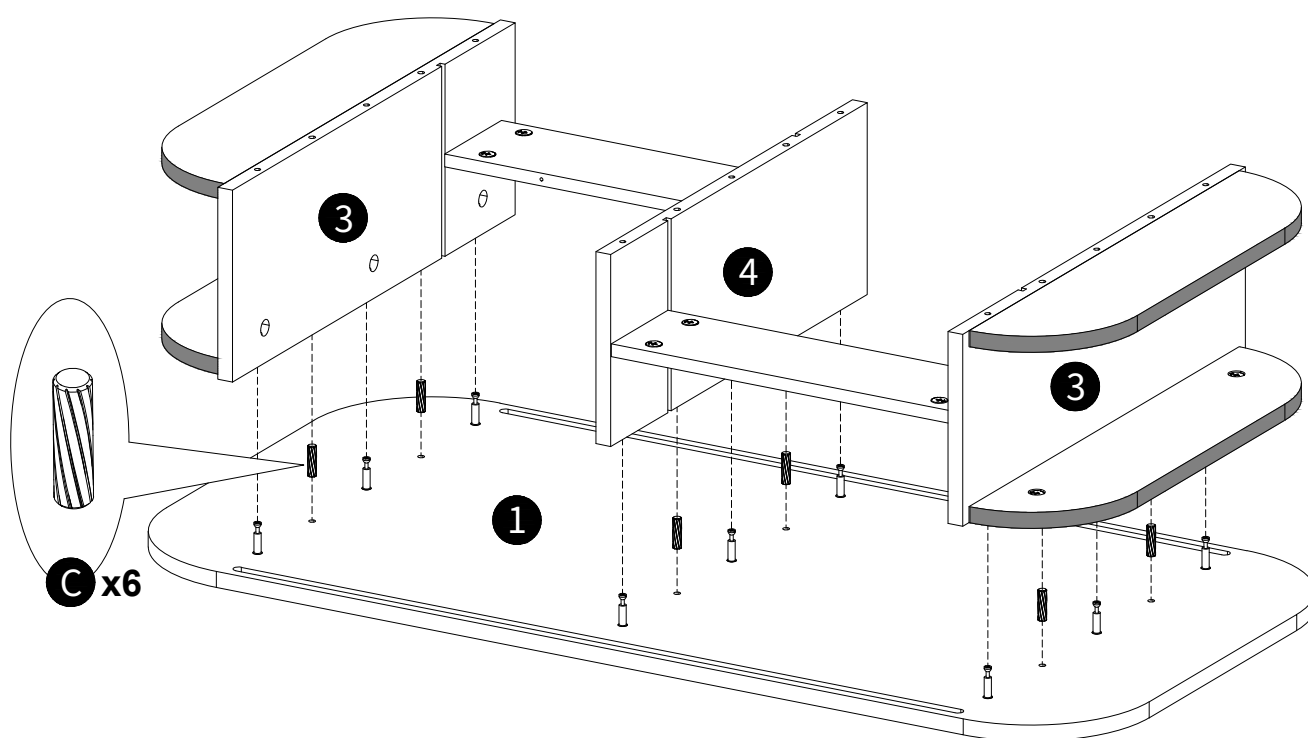


Assembly Instructions

Step 6:



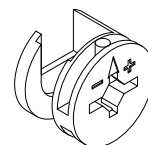
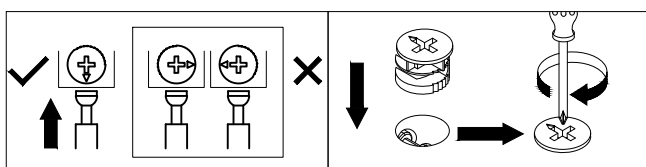
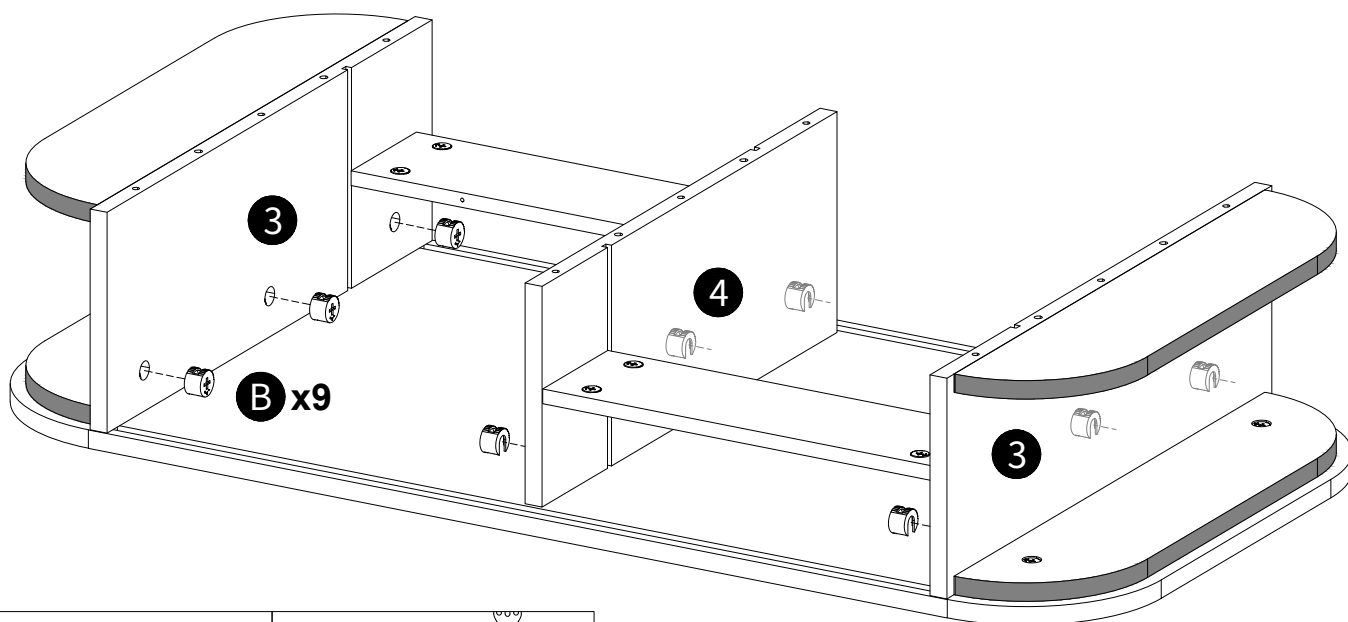
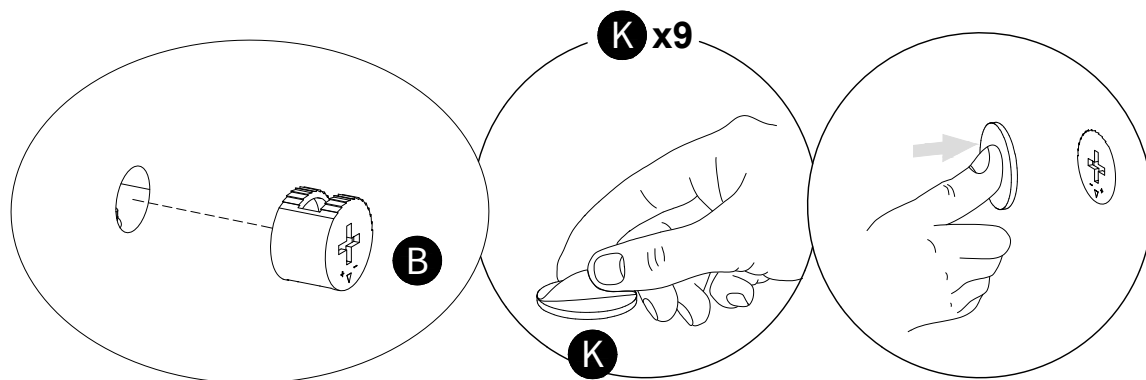
For larger product, we recommend that you install the product together with other people



C 6PCS

Assembly Instructions

Step 7:



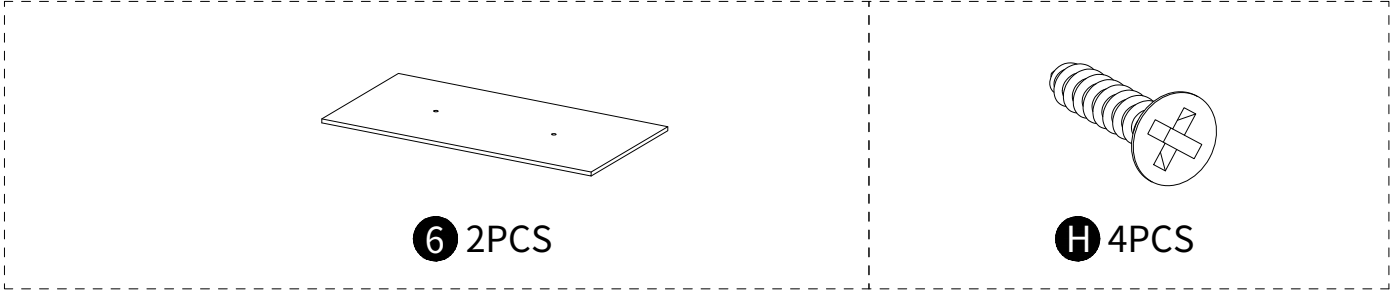
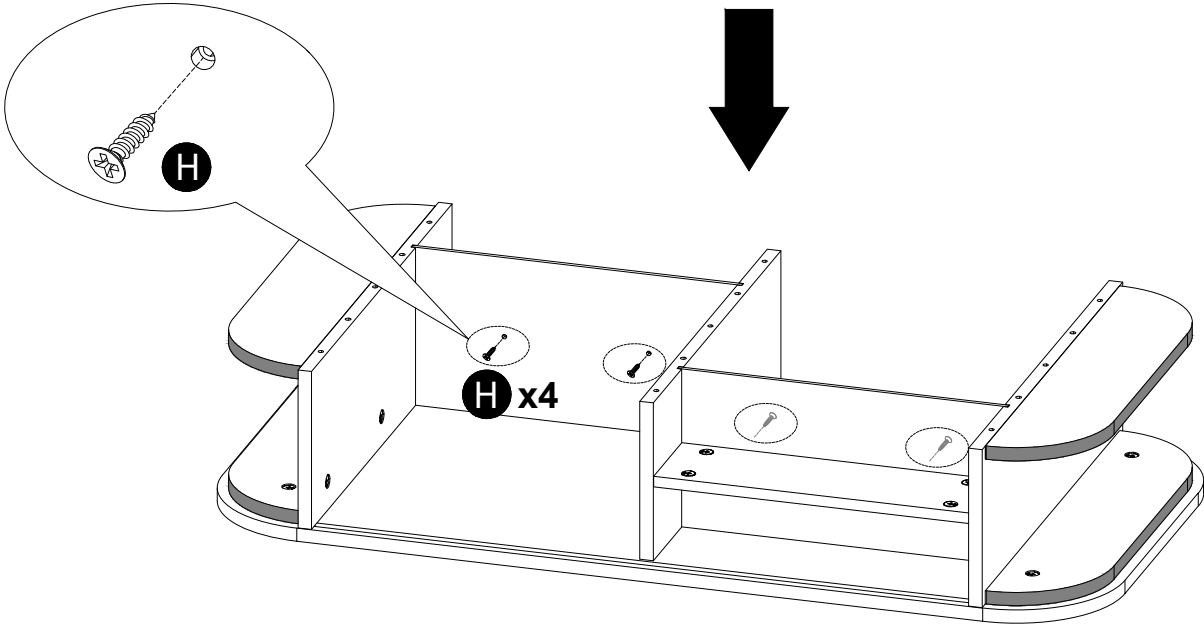
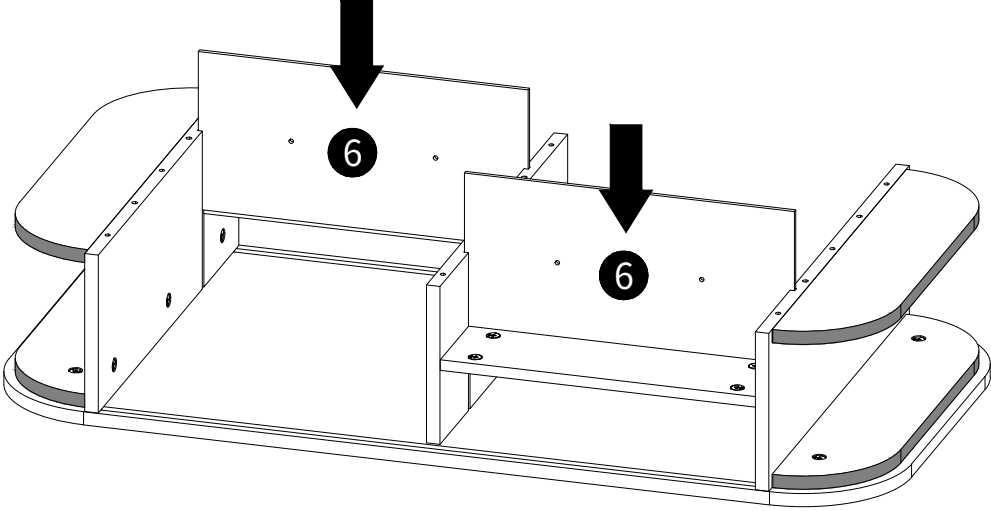
B 9PCS



K 9PCS

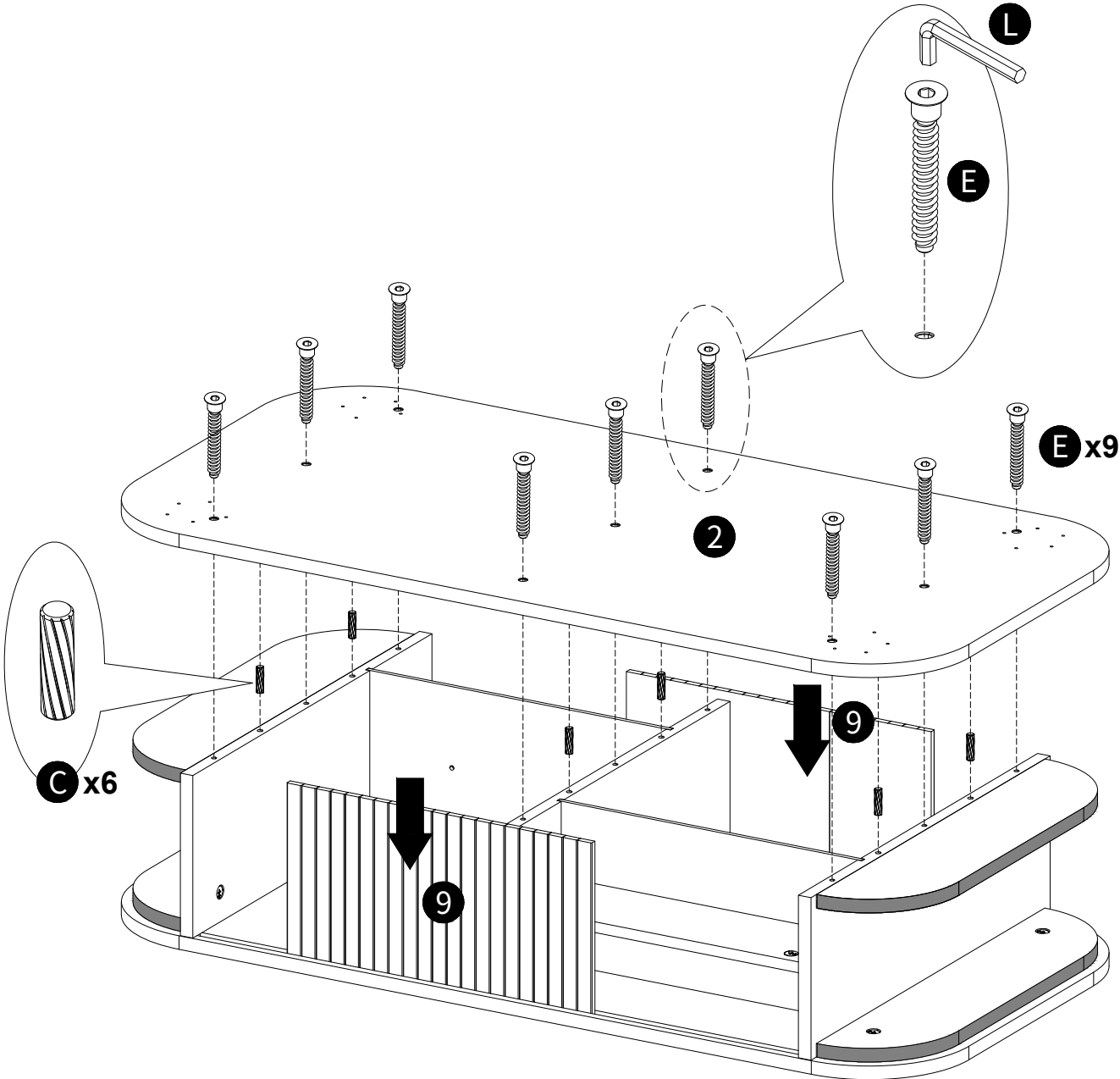
Assembly Instructions

Step 8:



Assembly Instructions

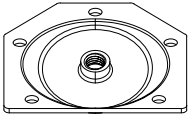
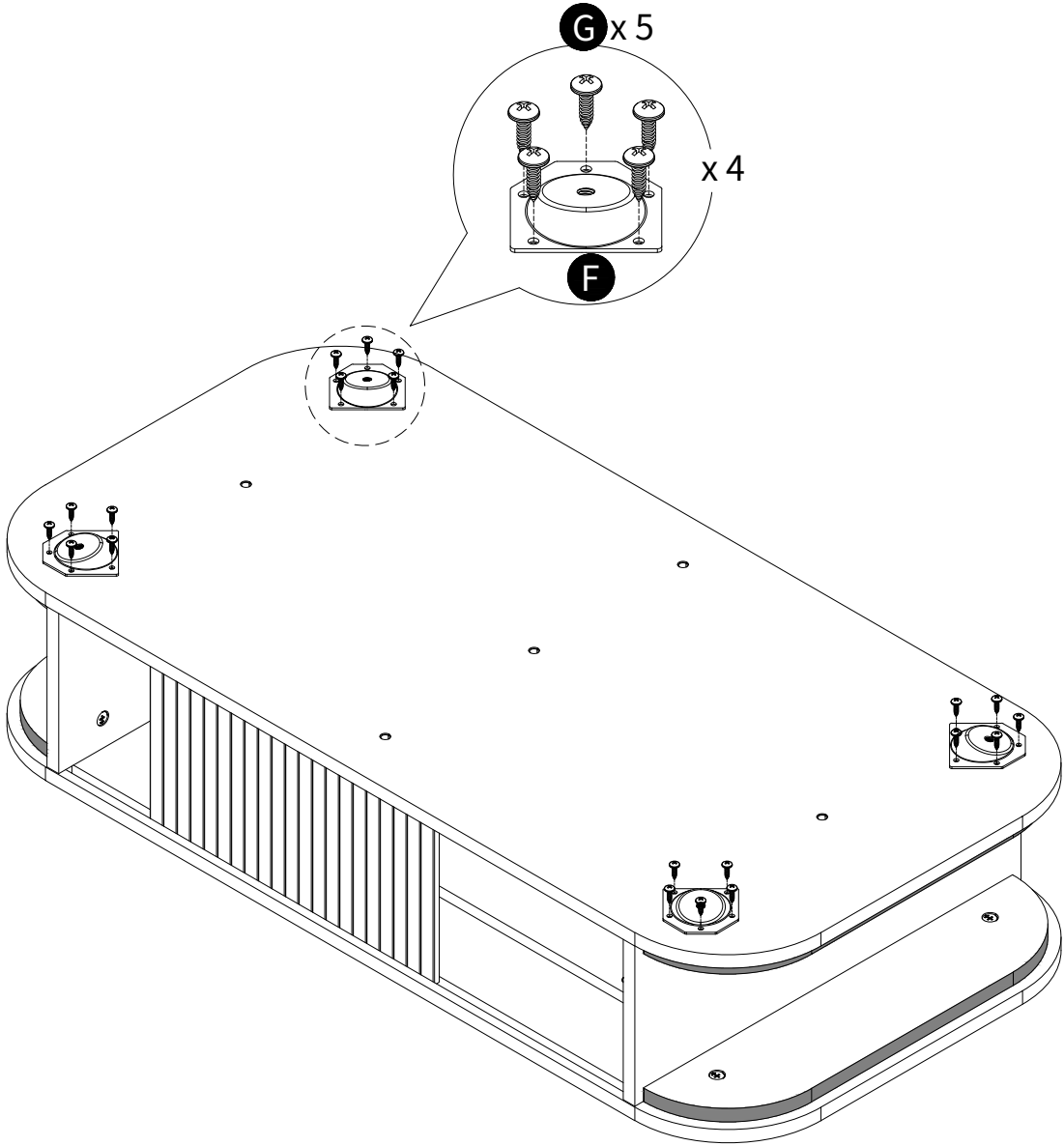
Step9:



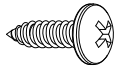
2 1PC	9 2PCS	E 9PCS	C 6PCS	L 1PC

Assembly Instructions

Step 10:



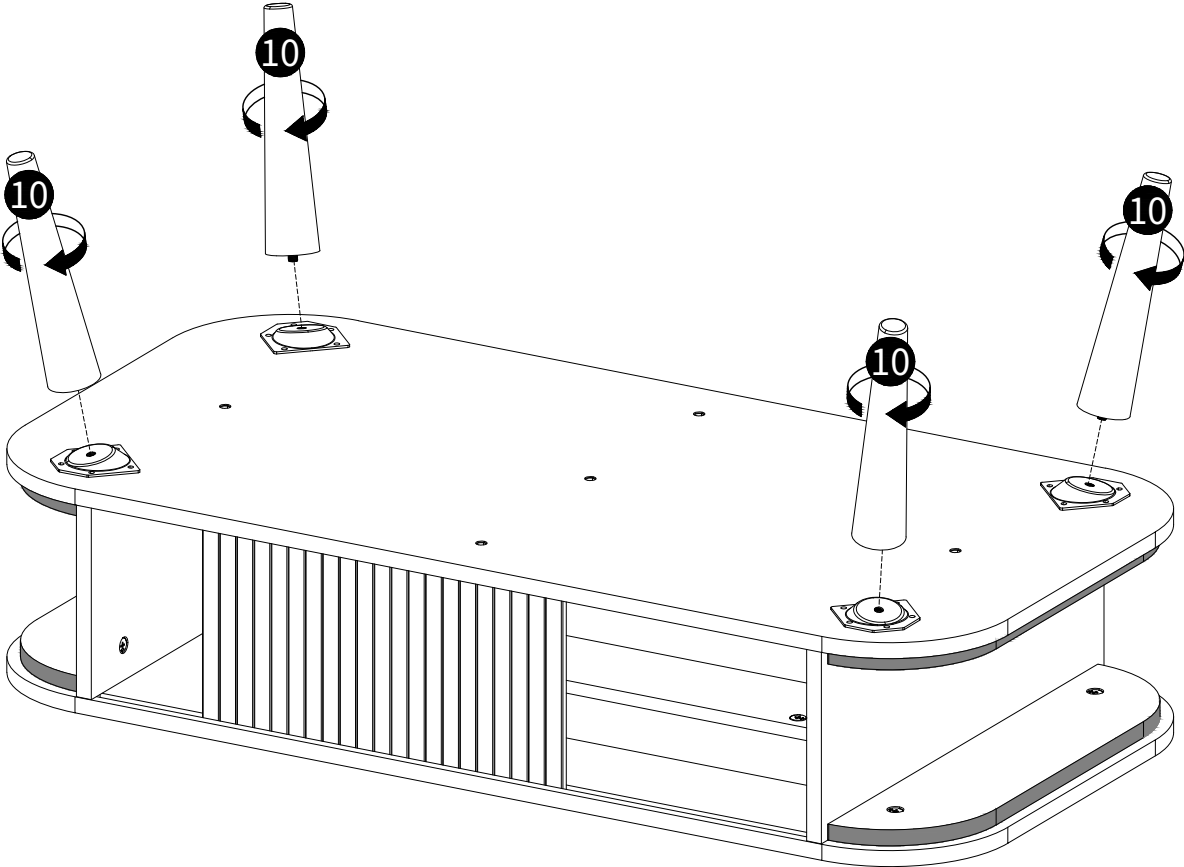
F 4PCS



G 20PCS

Assembly Instructions

Step11:



Assembly Instructions

Step 12:

