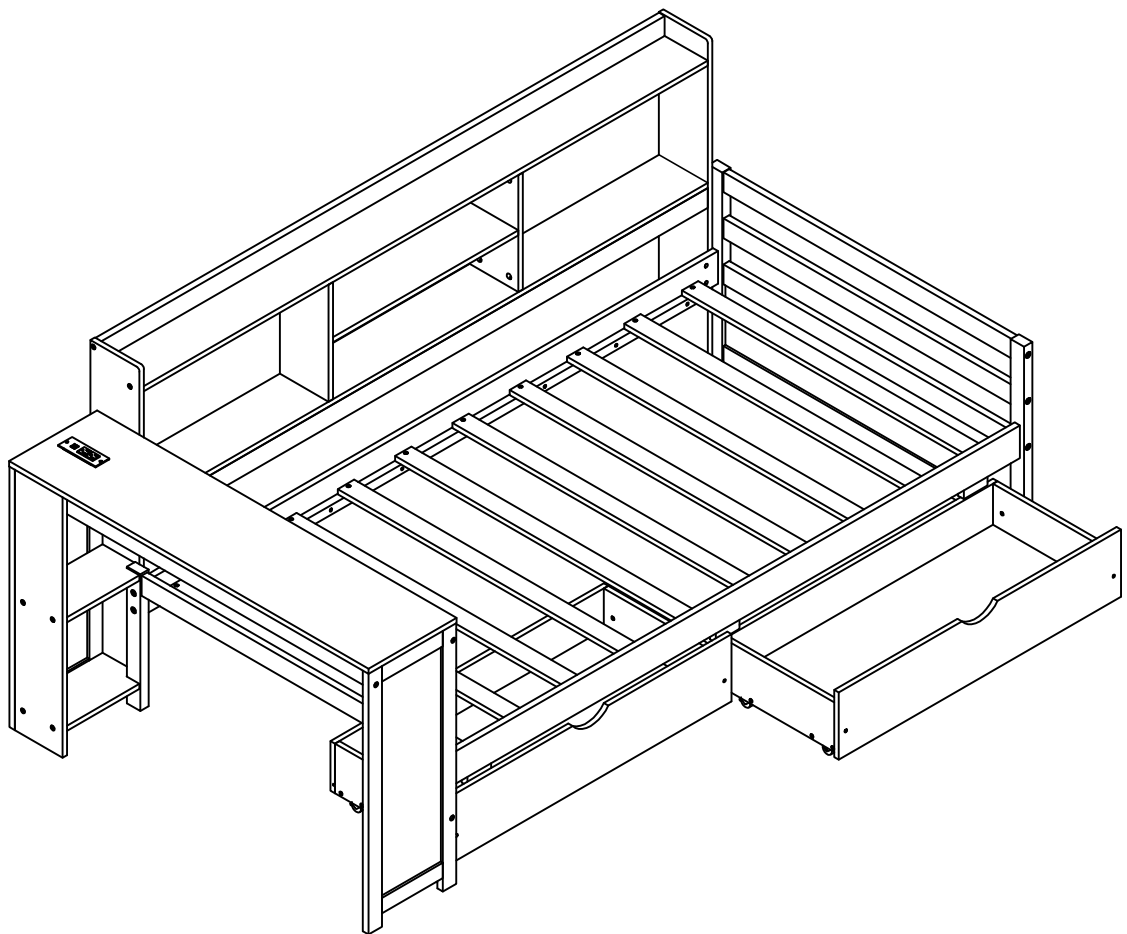


ASSEMBLY INSTRUCTIONS

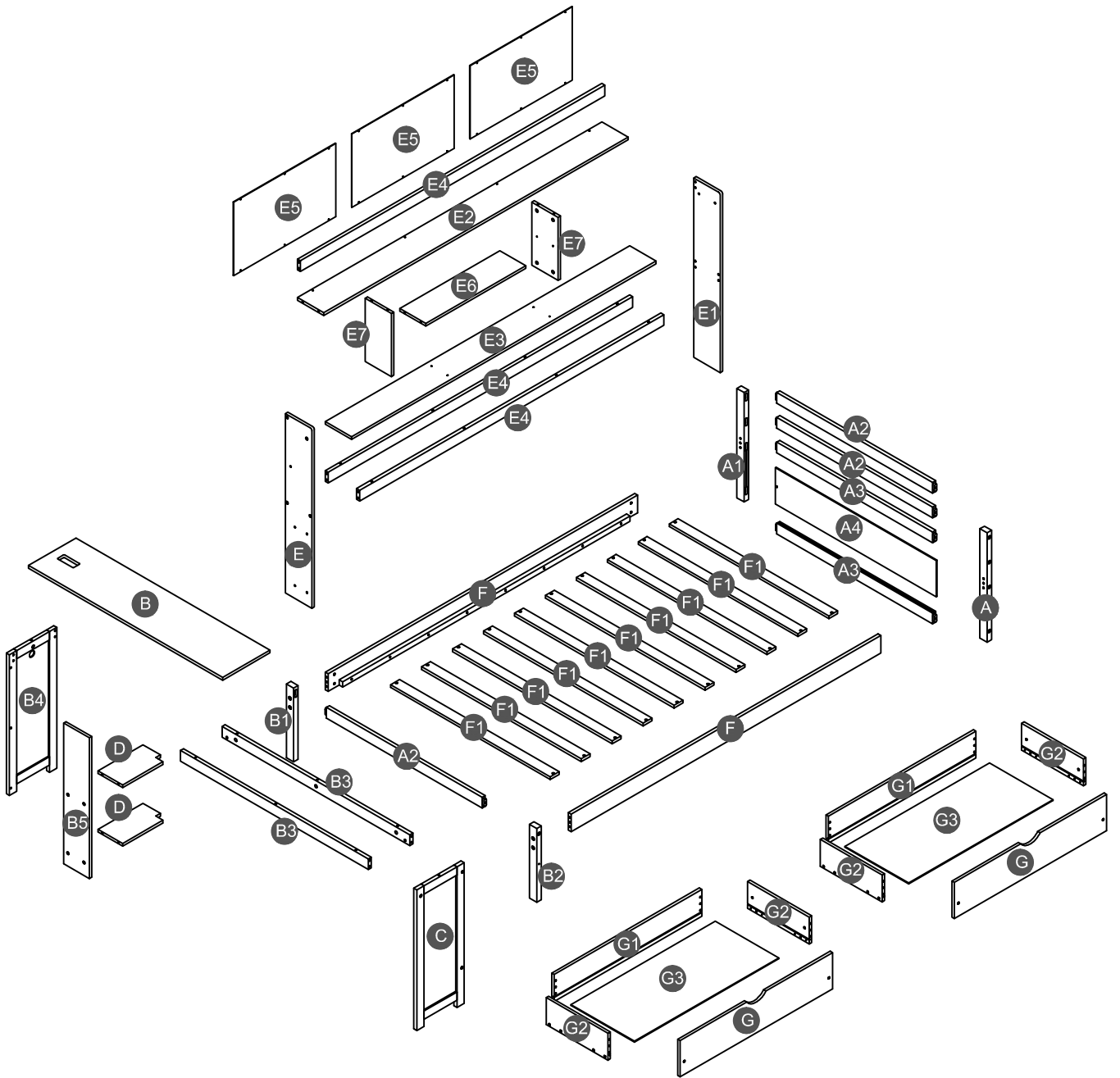
TWIN SIZE CORNER DAYBED WITH STORAGE DRAWER & DESK & BOOKCASE



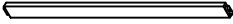


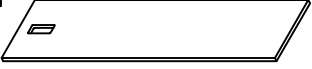

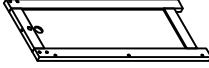
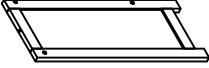
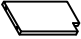


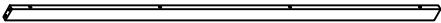

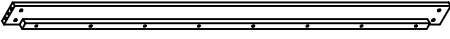


YX5550

**(W697P435876/W697P435877/
W697P435878/W697P435879)**



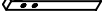
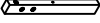
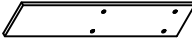
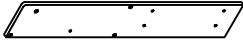
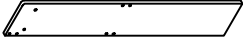
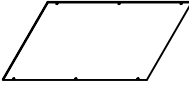
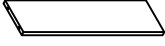



Detail View



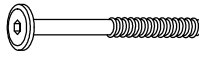
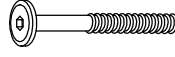






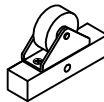
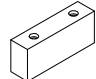

Part list & Hardware list (Box 1 - YX5550 (1-2))

<p>A2</p>  <p>Upper horizontal bar HB/FB - 3pcs</p>	<p>A3</p>  <p>Lower horizontal bar HB - 2pcs</p>	<p>A4</p>  <p>Panel HB - 1pc</p>
<p>B</p>  <p>Top panel (Desk) - 1pc</p>	<p>B3</p>  <p>Apron (Desk) - 2pcs</p>	<p>B4</p>  <p>Desk frame (back) - 1pc</p>
<p>C</p>  <p>Desk frame (front) - 1pc</p>	<p>D</p>  <p>Shelf panel (Desk) - 2pcs</p>	<p>E2</p>  <p>Top panel (Bookcase) - 1pc</p>
<p>E3</p>  <p>Bottom panel (Bookcase) - 1pc</p>	<p>E4</p>  <p>Horizontal bar (Bookcase) - 3pcs</p>	<p>E7</p>  <p>Mid panel (Bookcase) - 2pcs</p>
<p>F</p>  <p>Side rail - 2pcs</p>	<p>F1</p>  <p>Slats - 10pcs</p>	<p>G2</p>  <p>Left / right drawer panel - 4pcs</p>

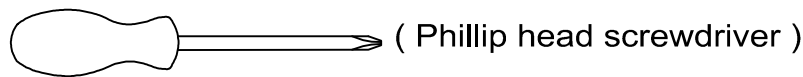
Part list (Box 2 - YX5550 (2-2))

<p>A</p>  <p>Leg HB (front) - 1pc</p>	<p>A1</p>  <p>Leg HB (back) - 1pc</p>	<p>B1</p>  <p>Leg HB (back) - 1pc</p>
<p>B2</p>  <p>Leg FB (front) - 1pc</p>	<p>B5</p>  <p>Side panel (left) - 1pc</p>	<p>E</p>  <p>Side panel - Left (Bookcase) - 1pc</p>
<p>E1</p>  <p>Side panel - Right (Bookcase)- 1pc</p>	<p>E5</p>  <p>Back panel - Right (Bookcase)- 3pcs</p>	<p>E6</p>  <p>Shelf panel (Bookcase) - 1pc</p>
<p>G</p>  <p>Front drawer panel - 2pcs</p>	<p>G1</p>  <p>Back drawer panel - 2pcs</p>	<p>G3</p>  <p>Drawer bottom - 2pcs</p>

Hardware List (Box 1 - YX5550 (1-2))

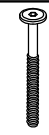

1  Ø10*20mm Wood dowel (8pcs)	2  Ø8*30mm Wood dowel (32pcs)	3  (Ø15)1/4"*80mm Hex-Head bolts (18pcs)
4  (Ø12)1/4"*60mm Hex-Head bolts (31pcs)	5  1/4"*15 (9.5mm) Horizontal-Hole bolts(49pcs)	6  (Ø12)1/4"*40mm Hex-Head bolts (2pcs)
7  Ø4*30mm Wood screws (42pcs)	8  Ø3.5*15mm Wood screws (18pcs)	9  Ø3.5*15mm Wood screws (18pcs)
10  Ø7"*35mm Cam lock (32pcs)	11  Ø14*9mm Cam lock (32pcs)	12  40*17*17*1.6mm Metal bracket (4pcs)
13  1500*125*47*43mm Power outlet	14  100*52*20 mm Wheels (8pcs)	15  80*45*19 mm Drawer stopper (3pcs)
16  (1/4")4.5*58mm Allen key (1pc)		

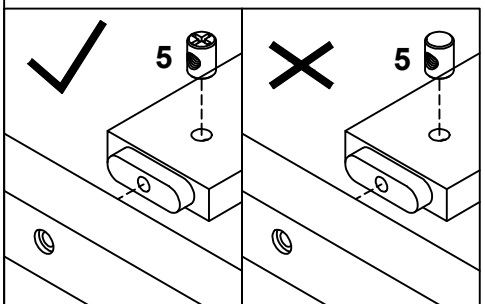
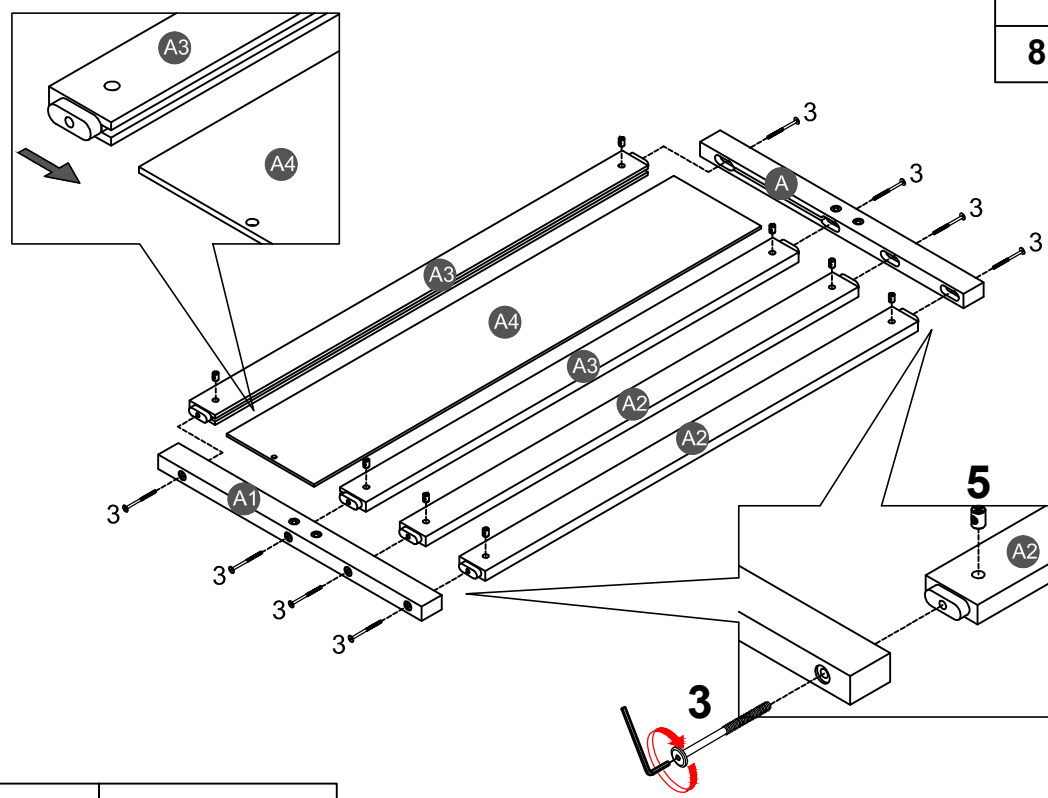
ASSEMBLY TOOLS REQUIRED (NOT INCLUDED)



PLEASE BE CAREFUL DO NOT DAMAGE THE HOLE POSITION WHEN YOU USE POWER TOOLS !

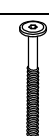

STEP 1:

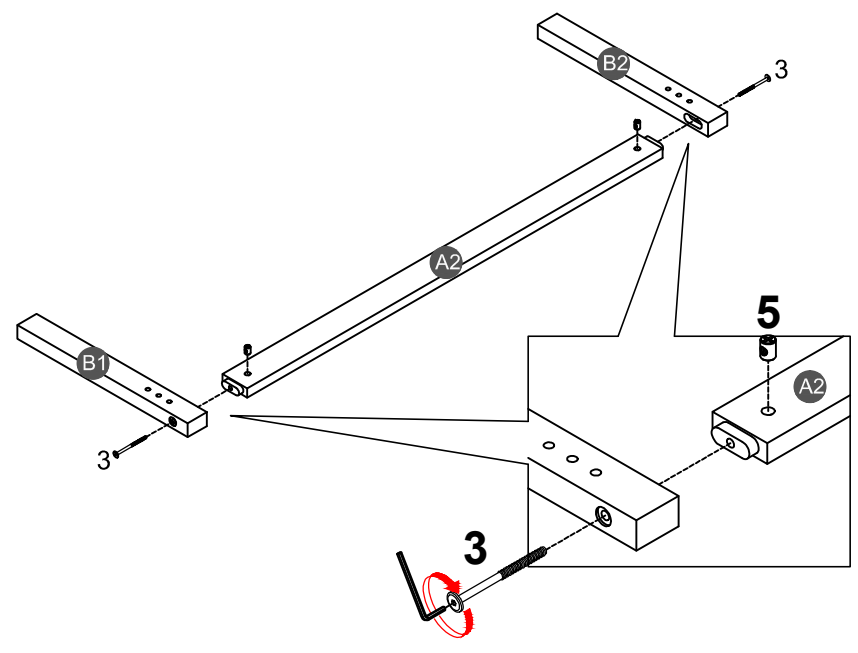
3		5	
8PCS		8PCS	




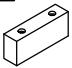
Note: Part 5 will face up with the "x" mark on it, otherwise it cannot be tightened

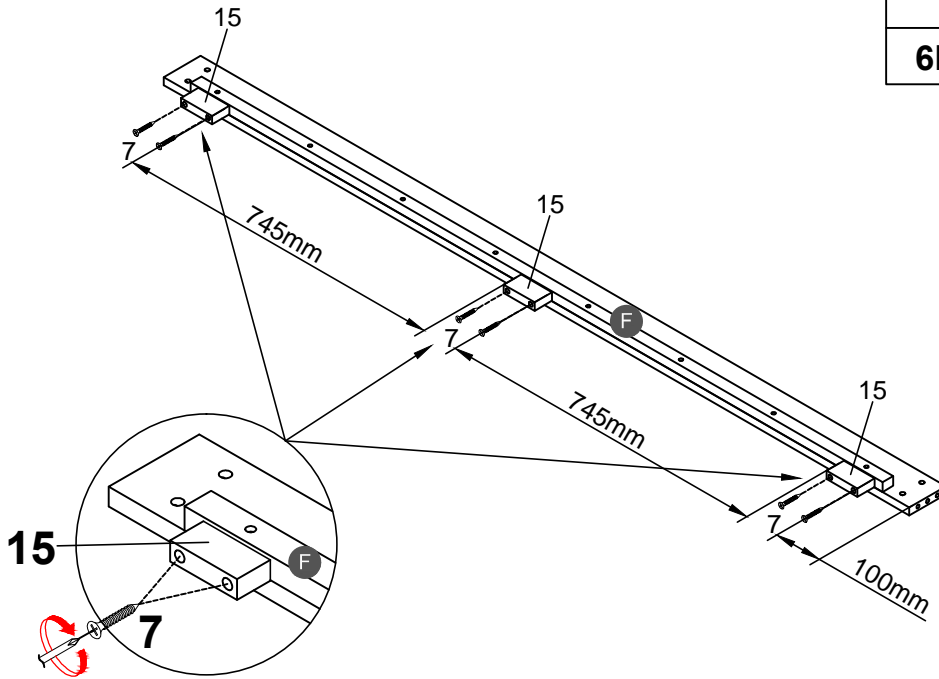
STEP 2:

3		5	
2PCS		2PCS	


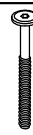



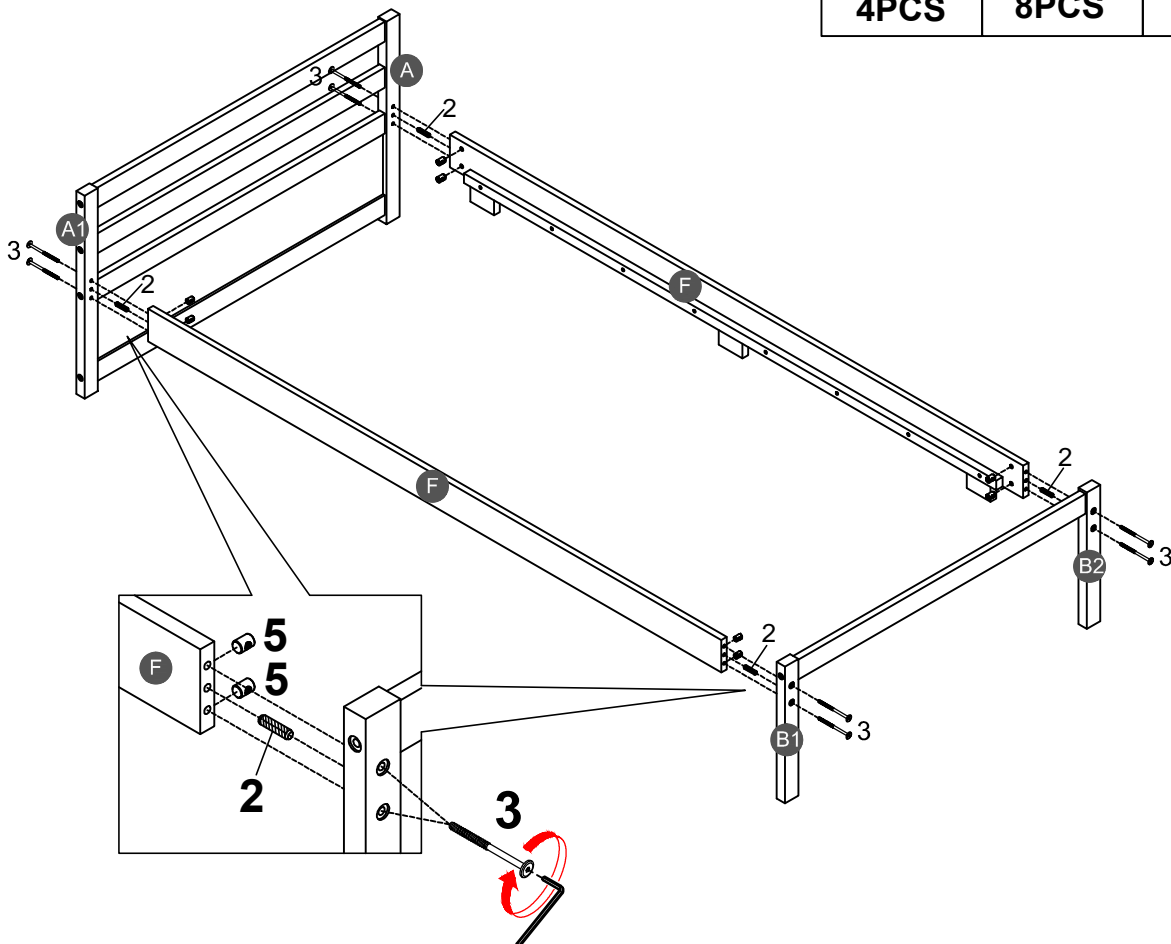
STEP 3:

7		15	
6PCS		3PCS	



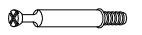
STEP 4:

2		3		5	
4PCS		8PCS		8PCS	

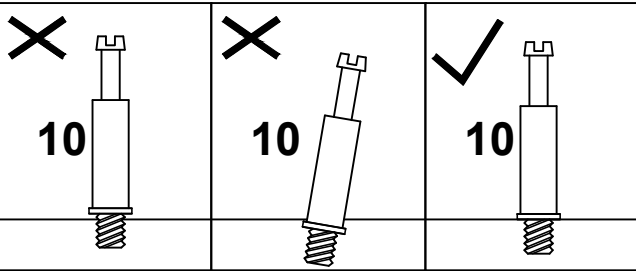
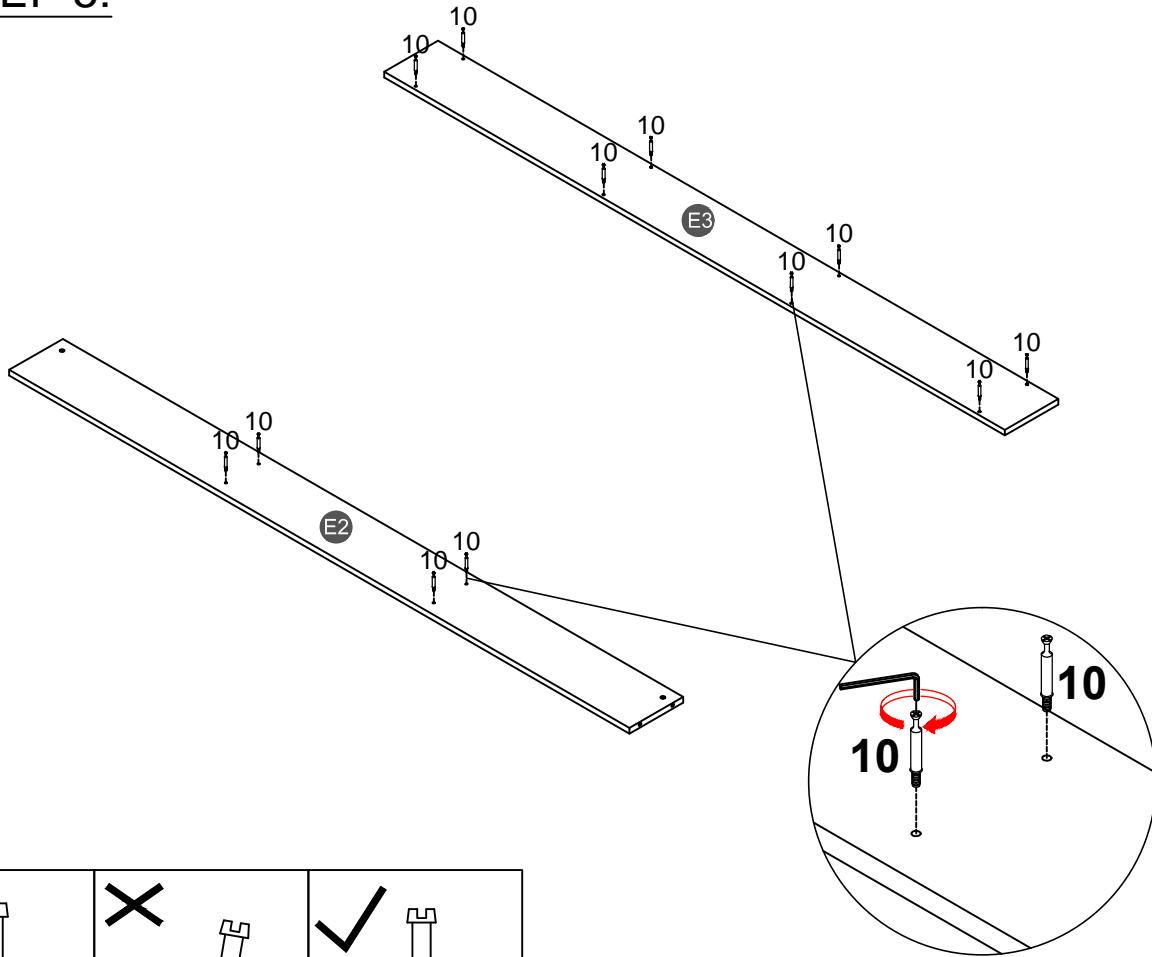


STEP 5:

10

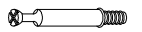


12PCS

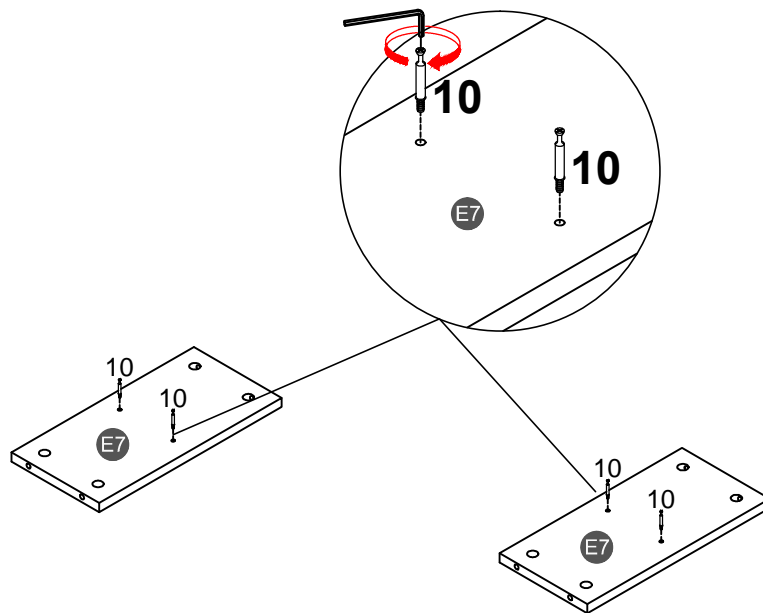


STEP 6:

10



4PCS

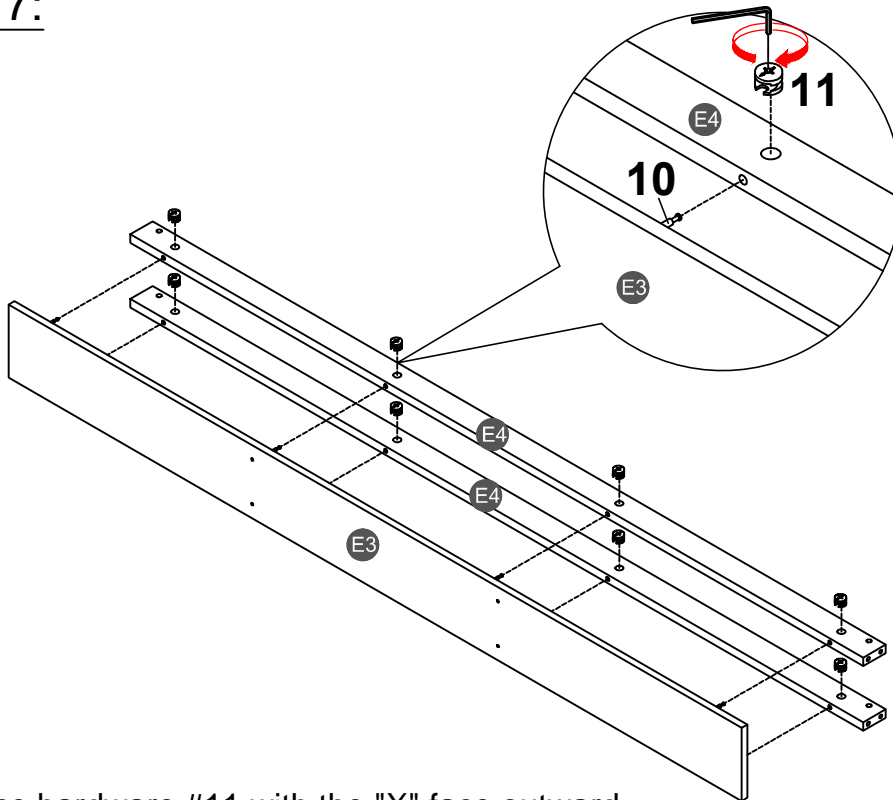


STEP 7:

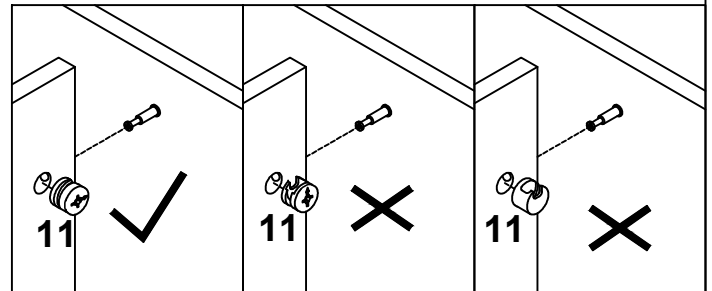
11



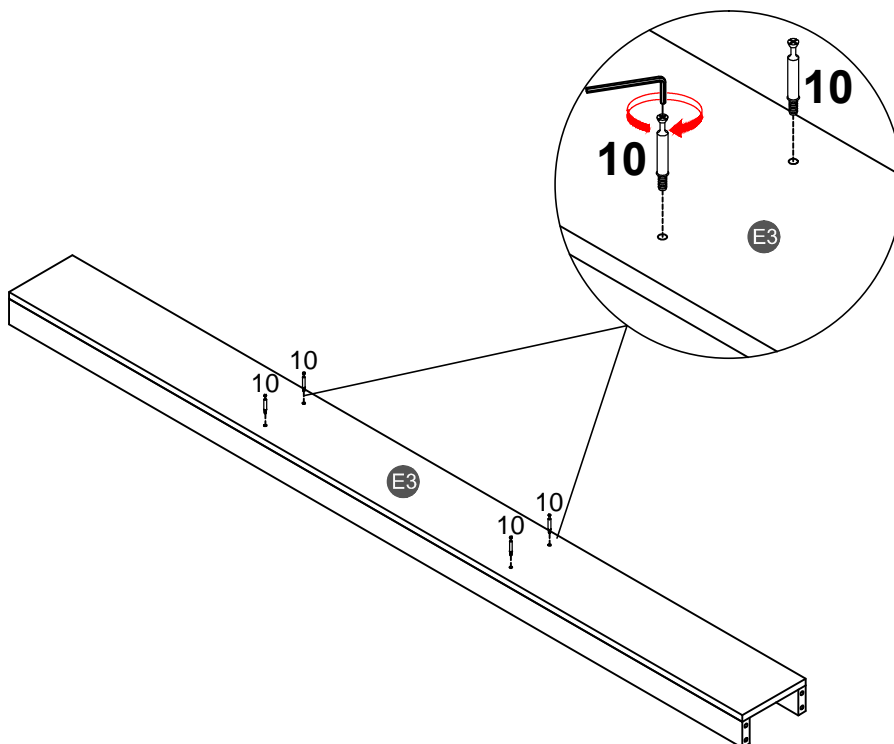
8PCS



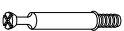
Note: Place hardware #11 with the "X" face outward, and make sure that the arrowhead is upward. Then, place hardware #11 into the hole of hardware #10 and tighten it clockwise with a hand screwdriver. (Please do NOT use an electric screwdriver.)



STEP 8:



10



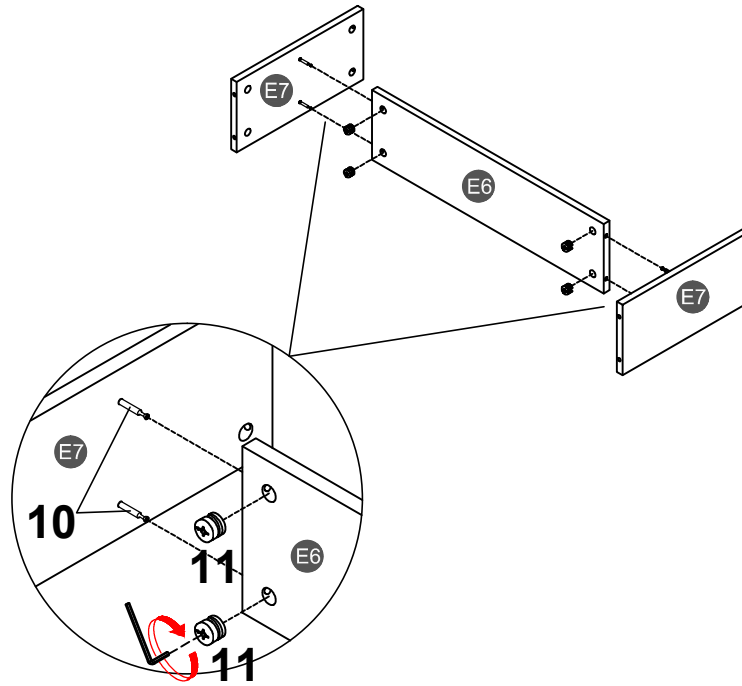
4PCS

STEP 9:

11



4PCS

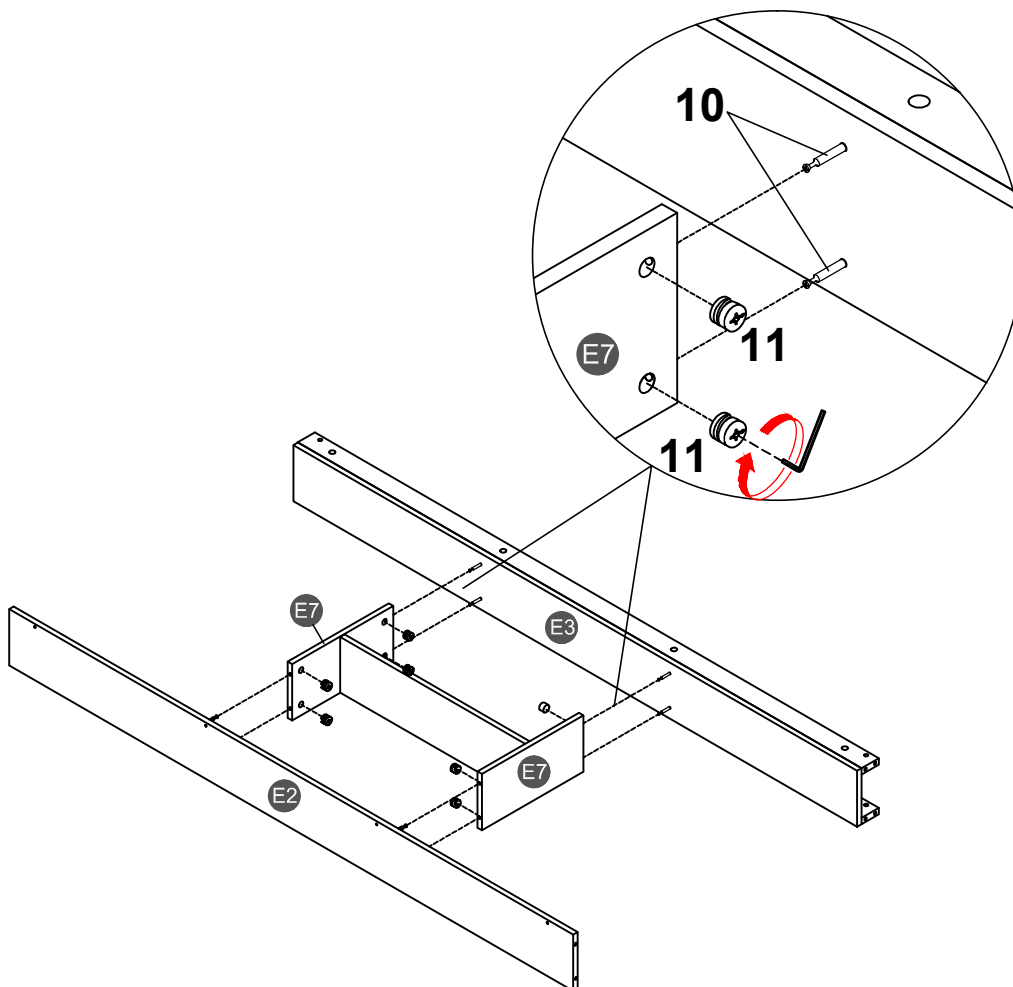


STEP 10:

11

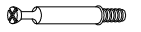


8PCS

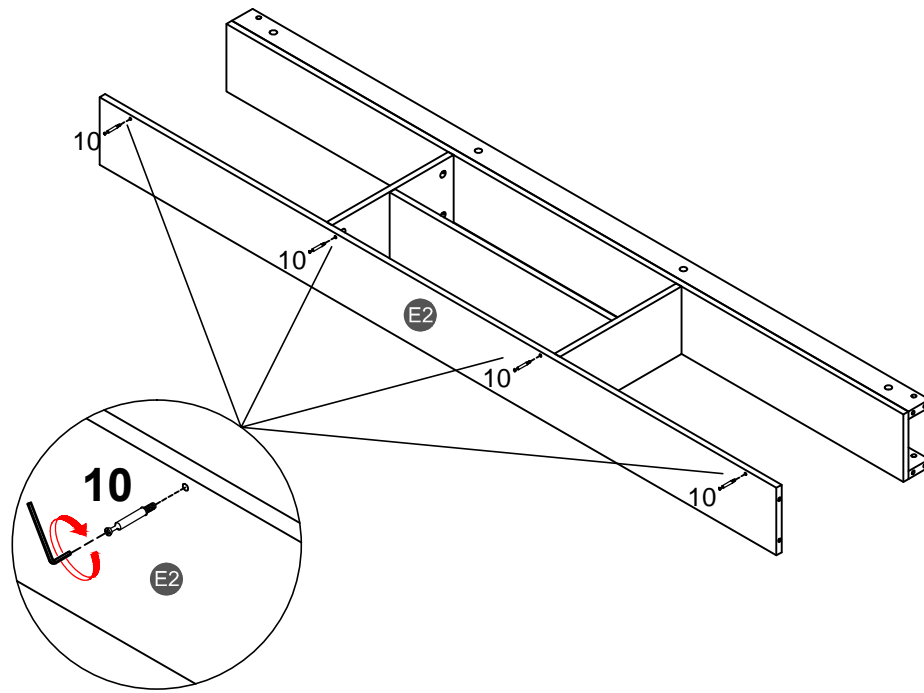


STEP 11:

10



4PCS

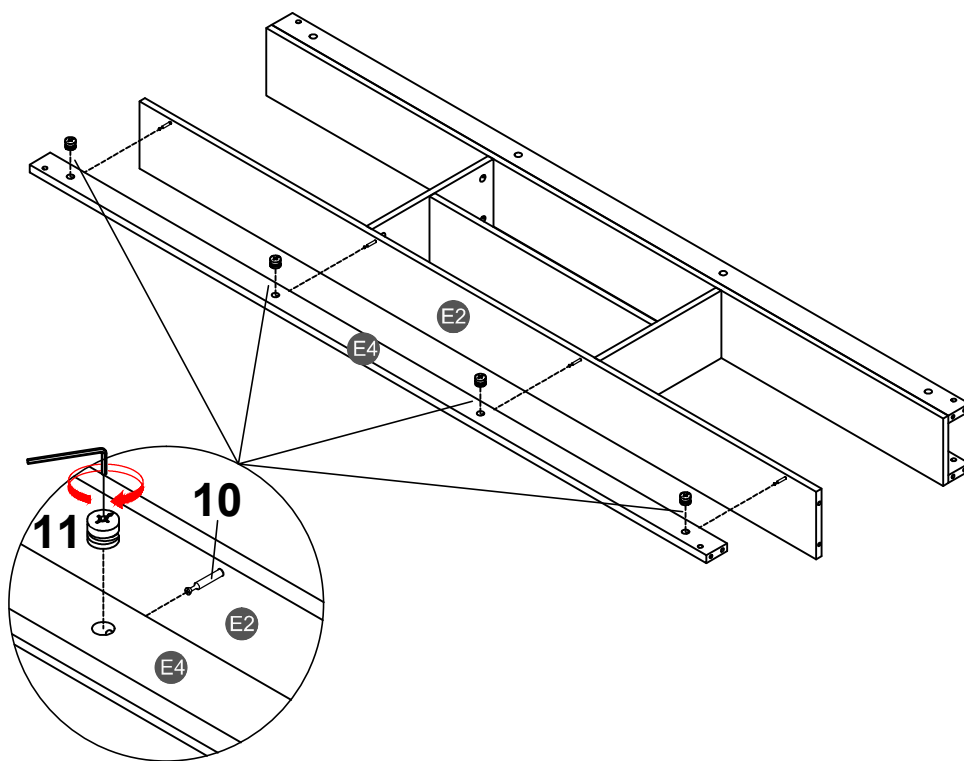


STEP 12:

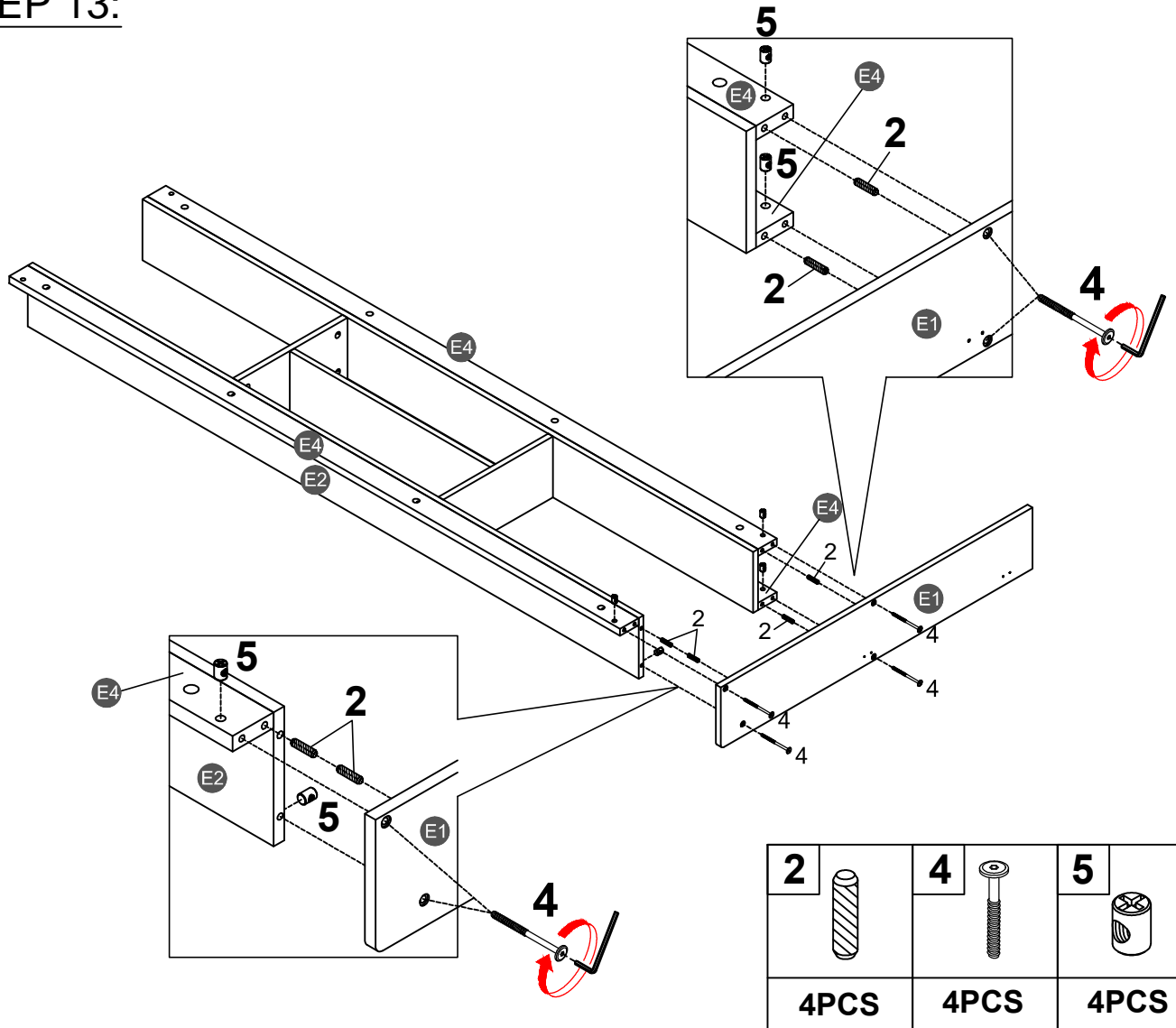
11



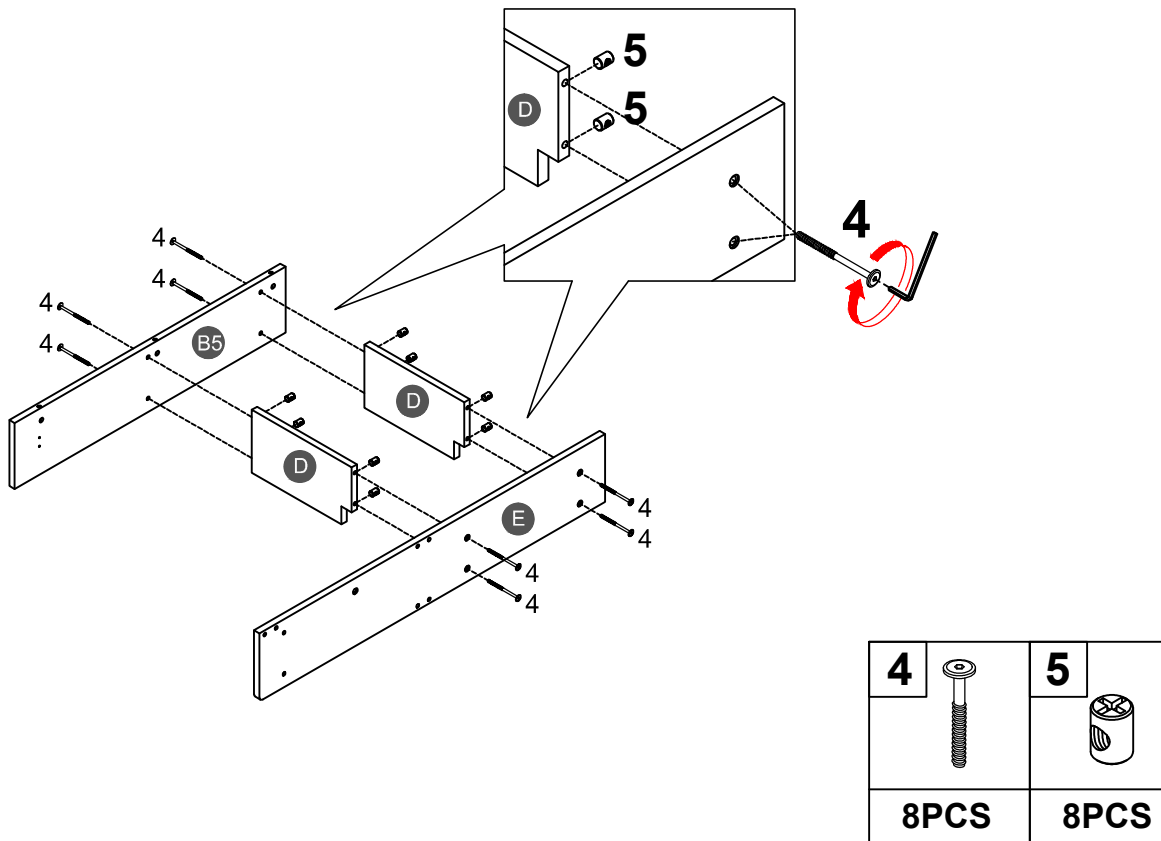
4PCS



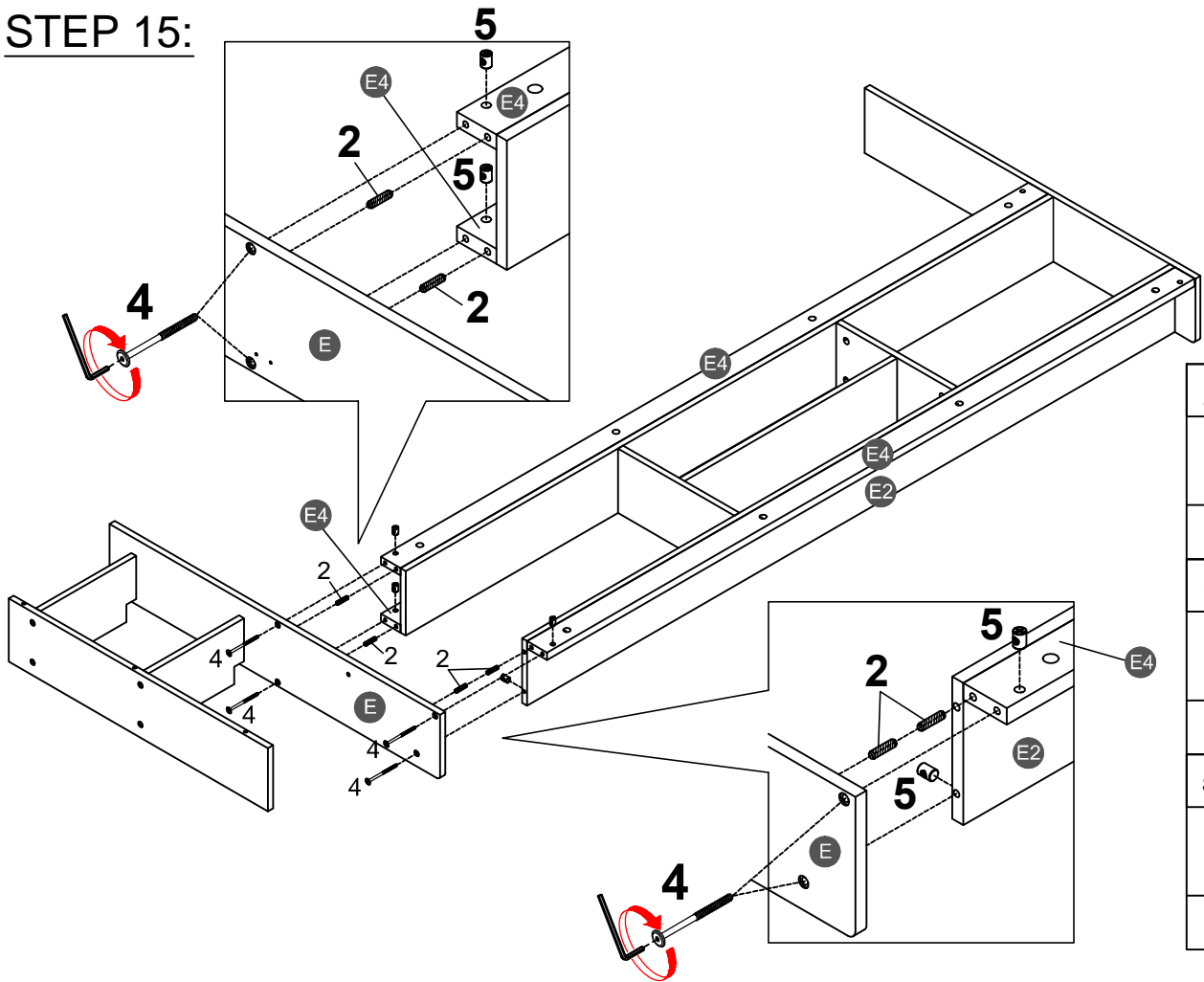
STEP 13:


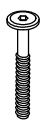



STEP 14:

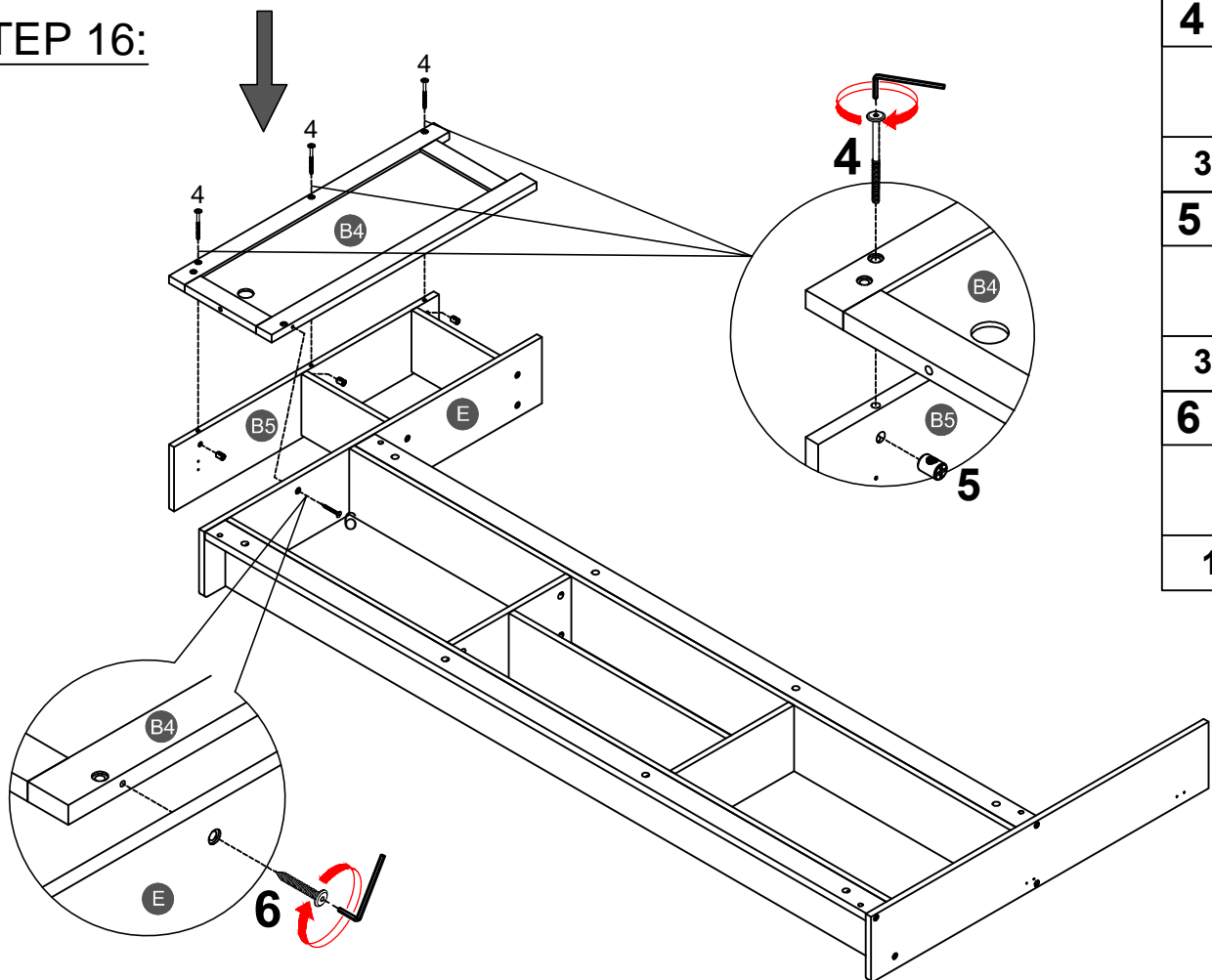





STEP 15:



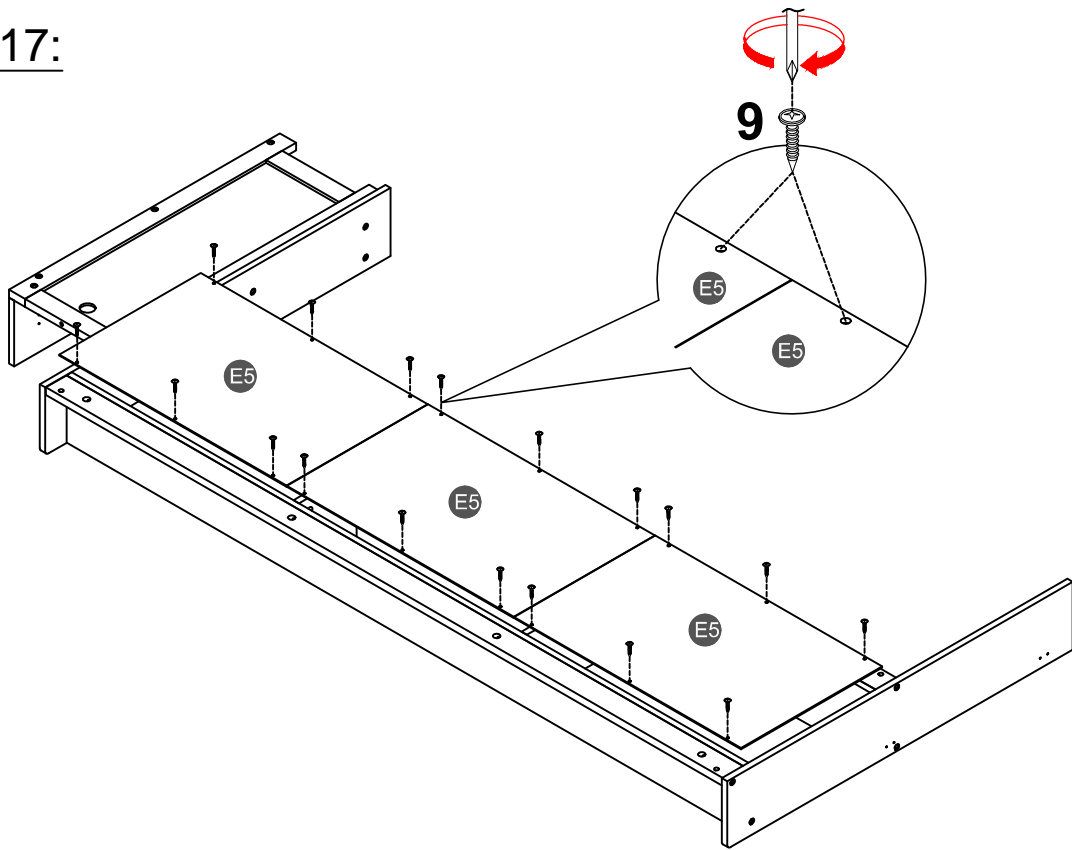
2	
4PCS	
4	
4PCS	
5	
4PCS	


STEP 16:



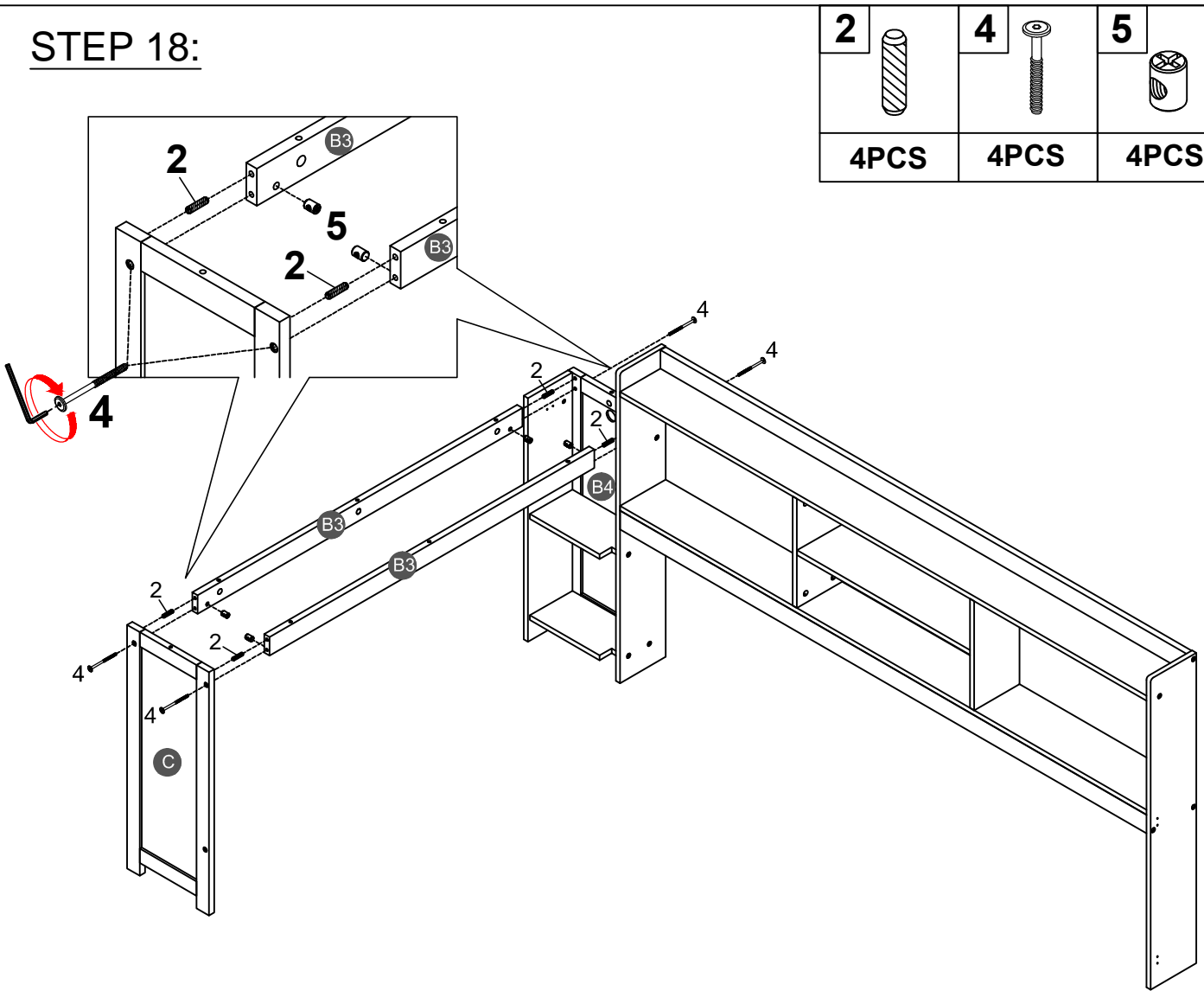
4	
3PCS	
5	
3PCS	
6	
1PC	


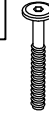

STEP 17:



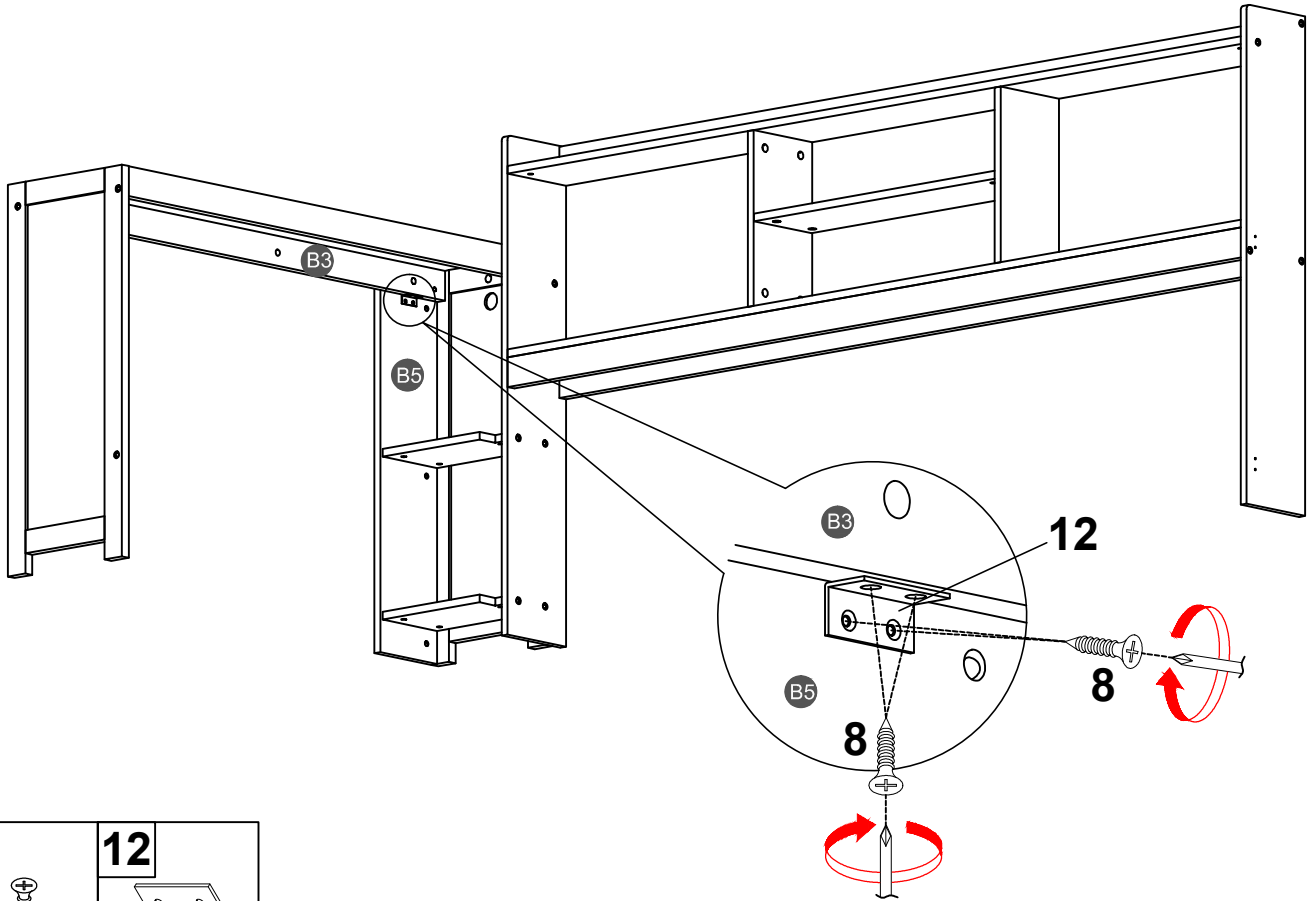
9

18PCS


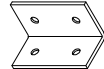
STEP 18:



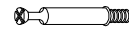
2		4		5	
4PCS		4PCS		4PCS	

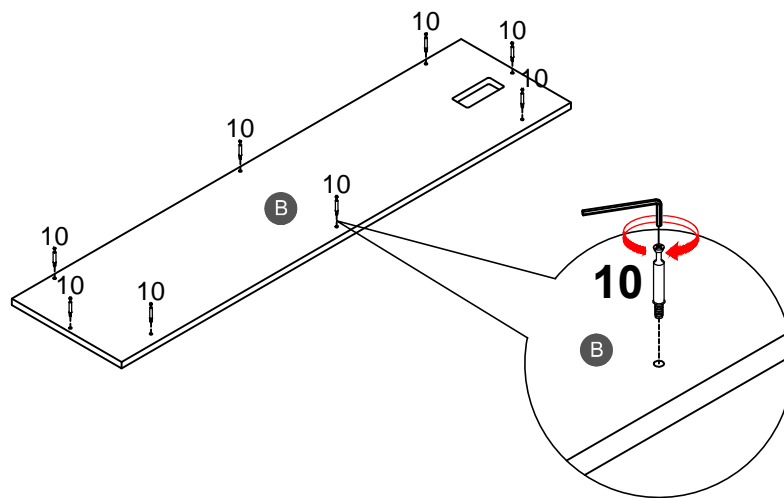
STEP 19:



8	12
	
4PCS	1PC

STEP 20:

10

8PCS



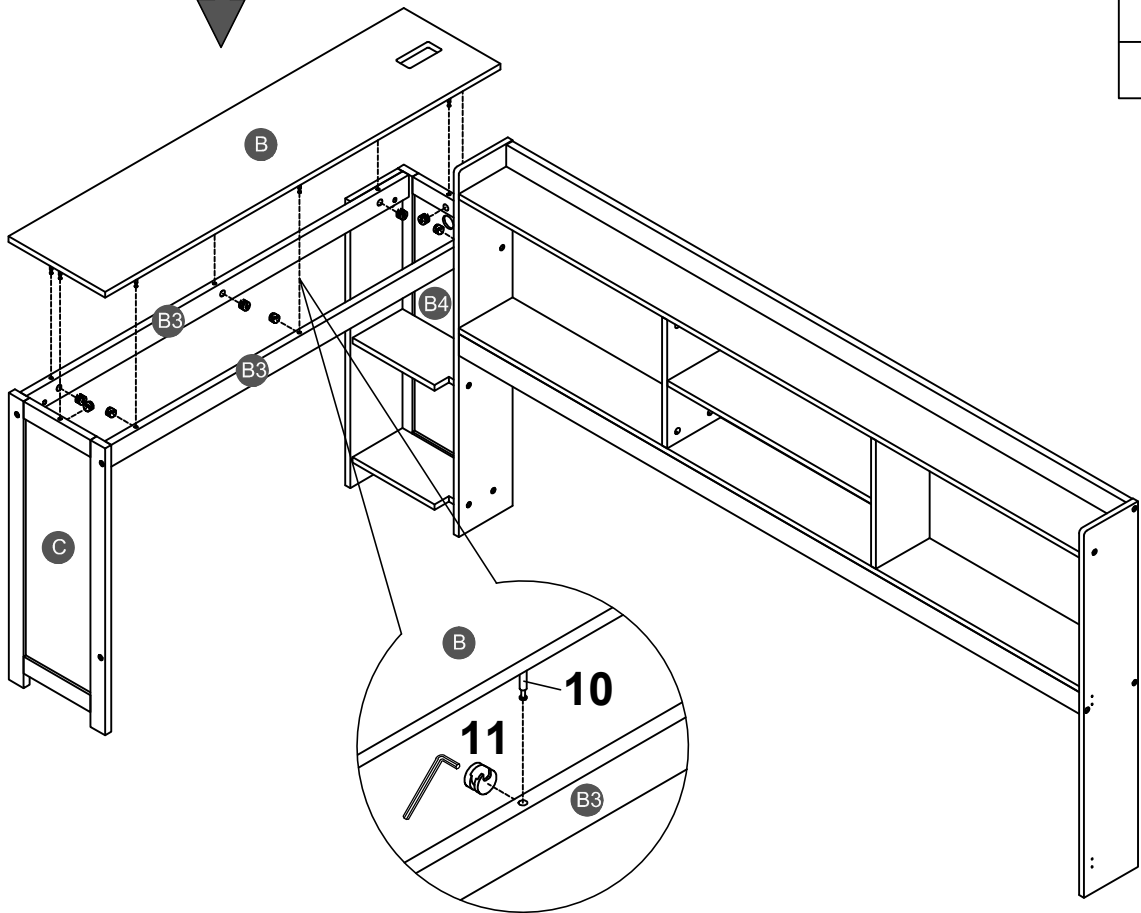
STEP 21:



11



8PCS



STEP 22:

8

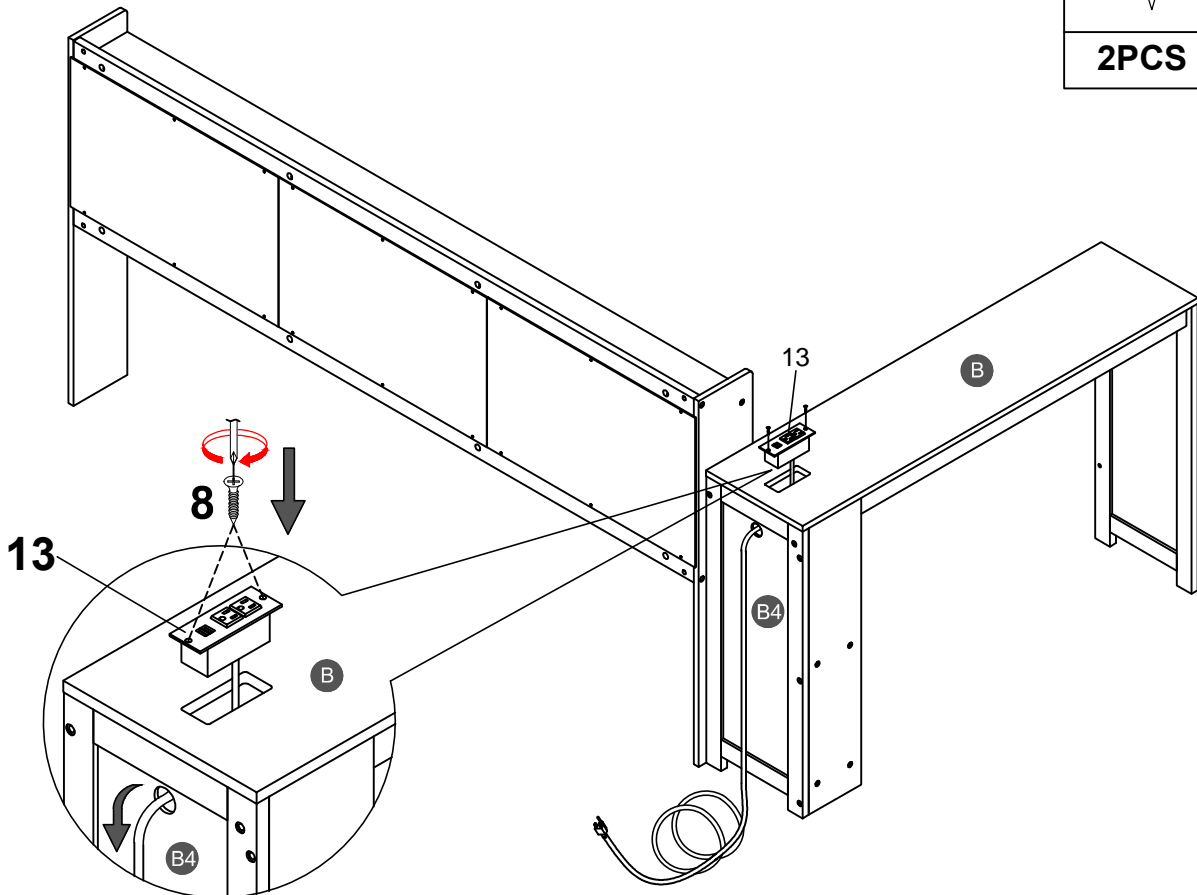


2PCS

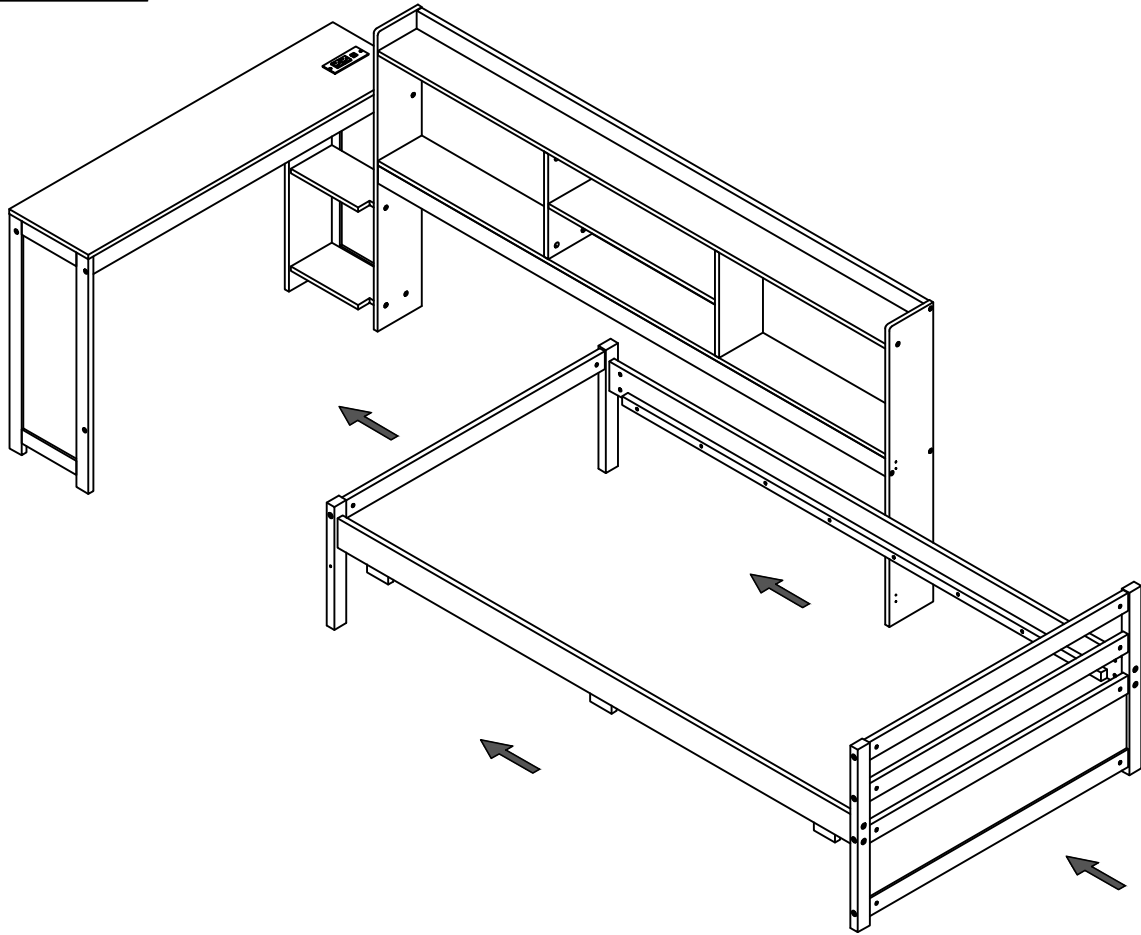
13



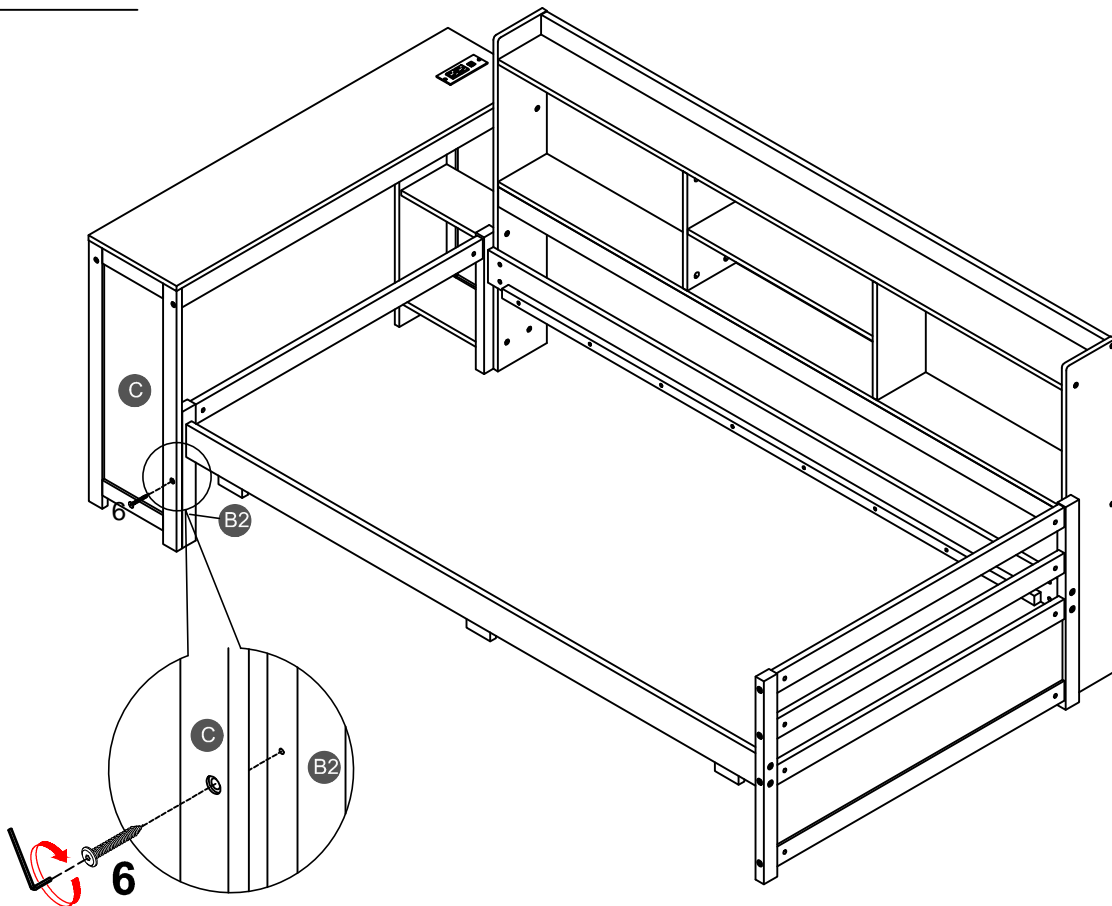
1PC

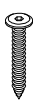


STEP 23:


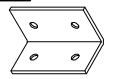


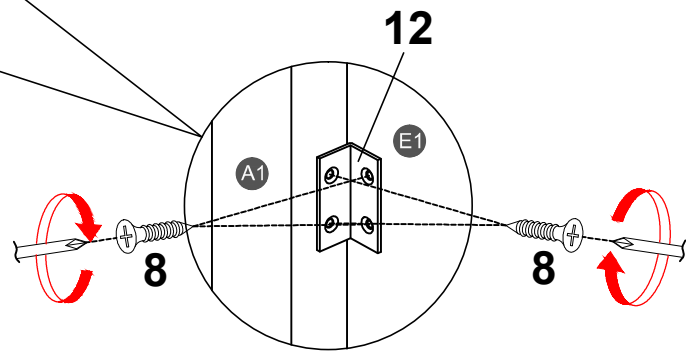
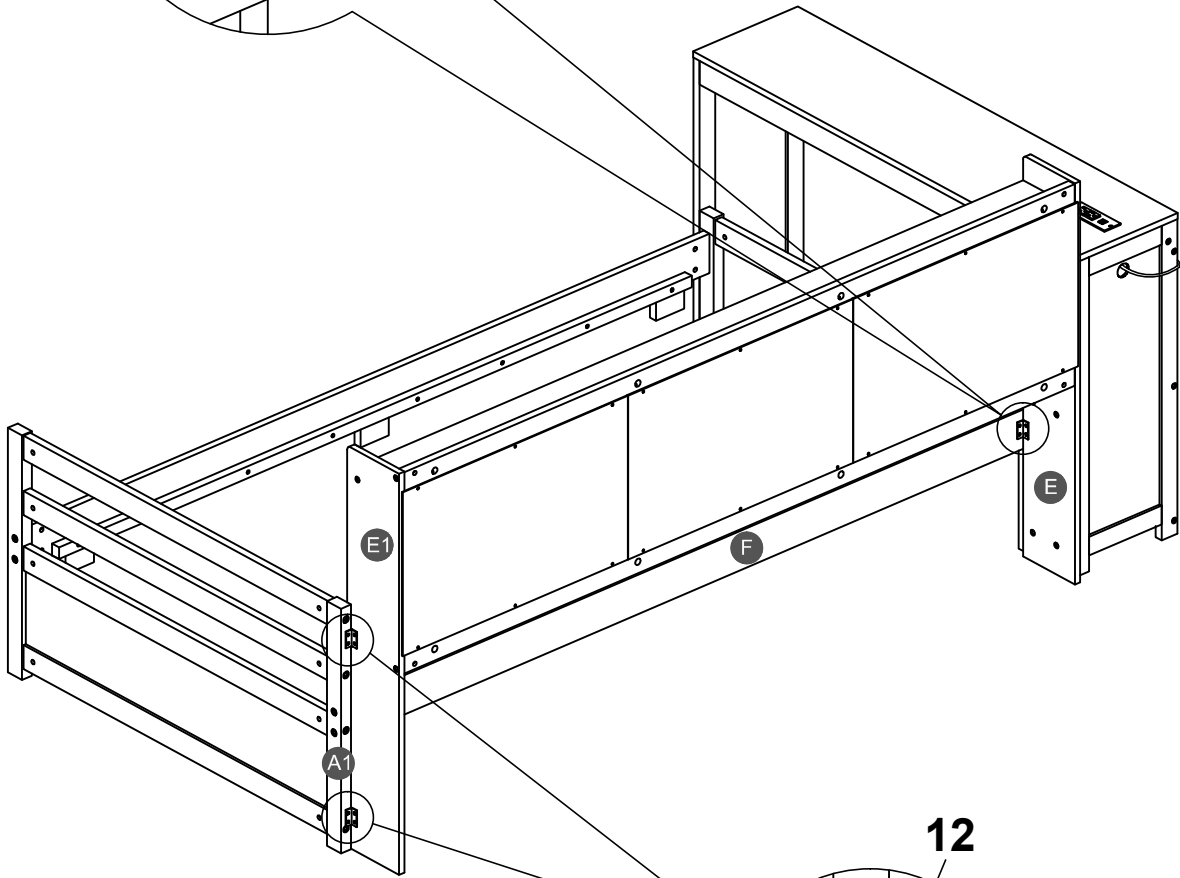
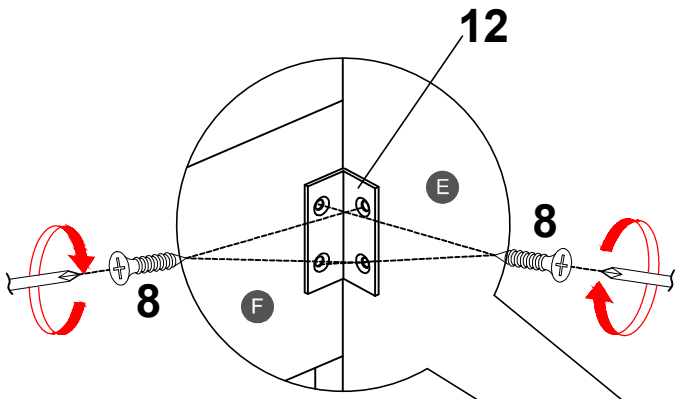
STEP 24:



6

1PC

STEP 25:

8		12	
12PCS		3PCS	

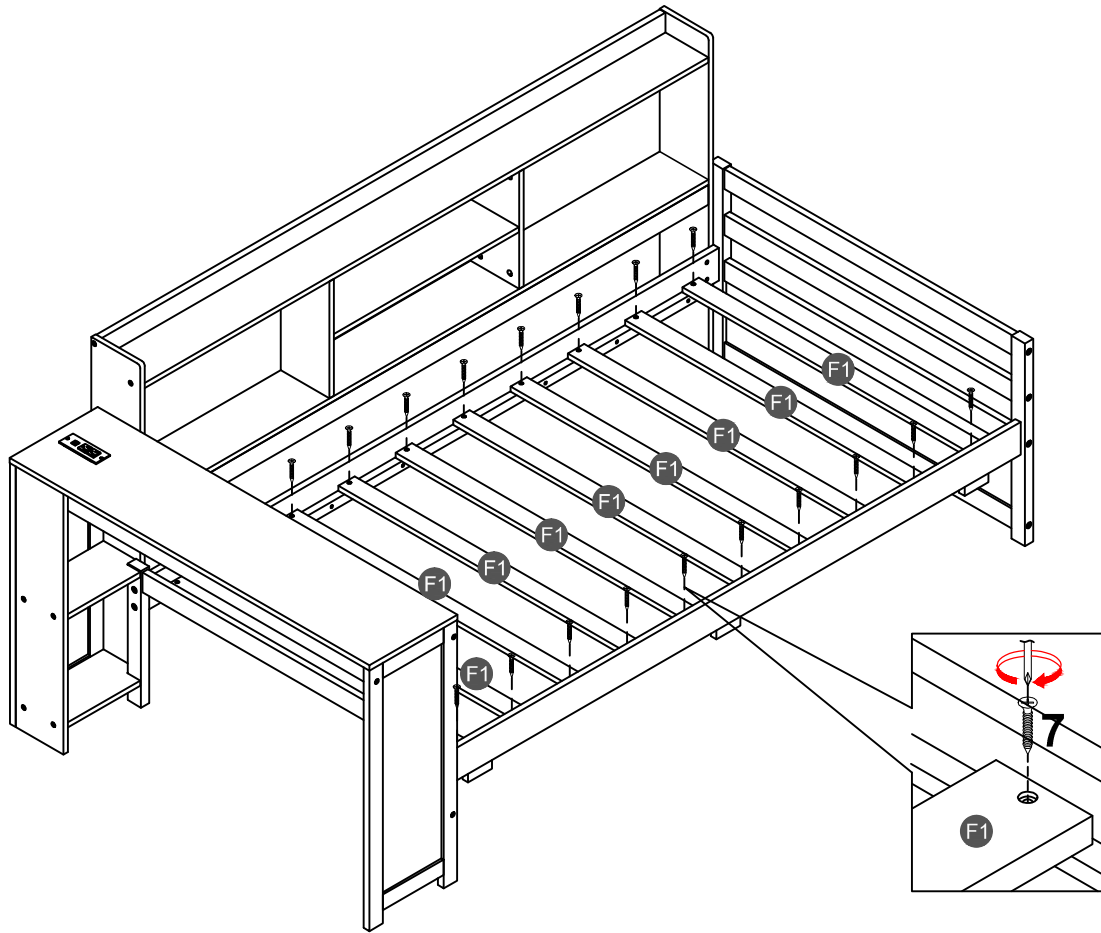


STEP 26:

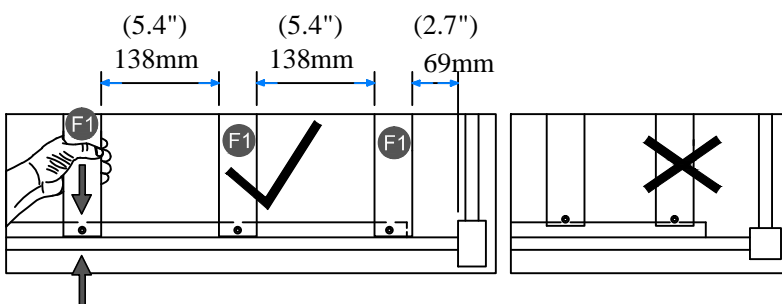
7



20PCS






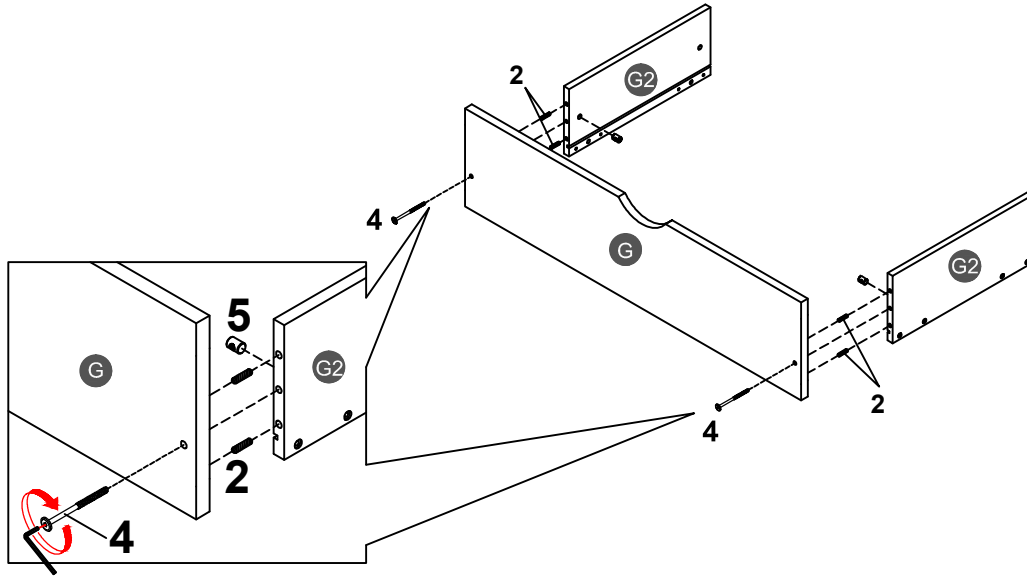
For better fixing effect, there is no pre-drilled hole on the side rails. Please use self-tapping screws to fix it.



NOTE: Please make sure the bed slats close to the side rail before locking the screws to avoid breakage. This step is required for both the left and right sides. Moreover, please do not lock the screws of the bed slats at the outermost edge to avoid damaging.




STEP 27:

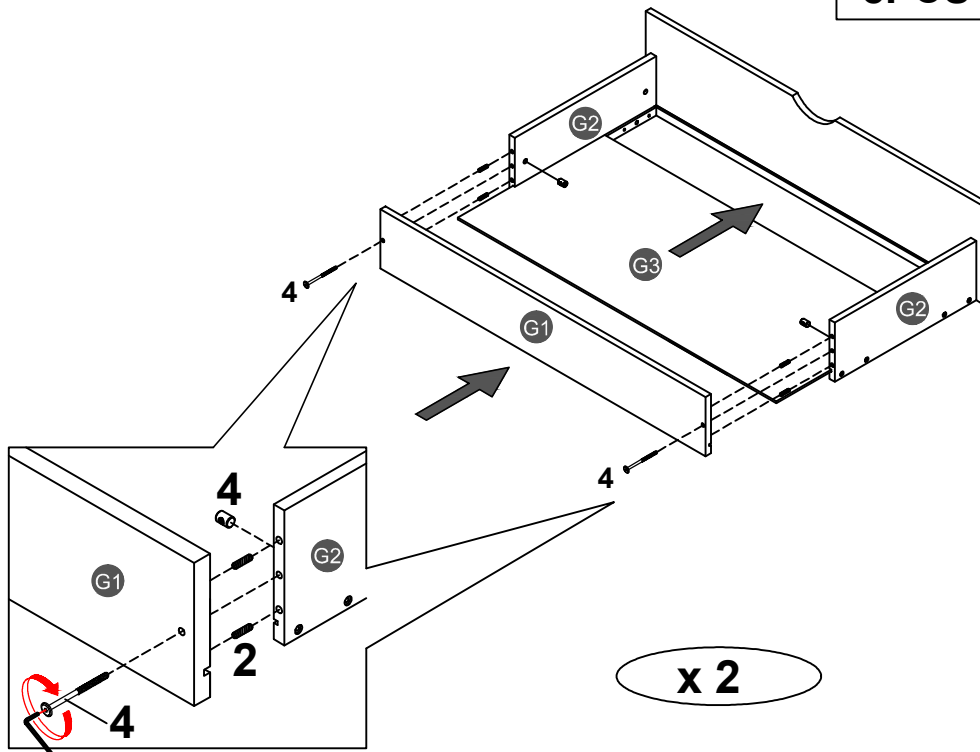
2		4		5	
8PCS		4PCS		4PCS	



2pcs

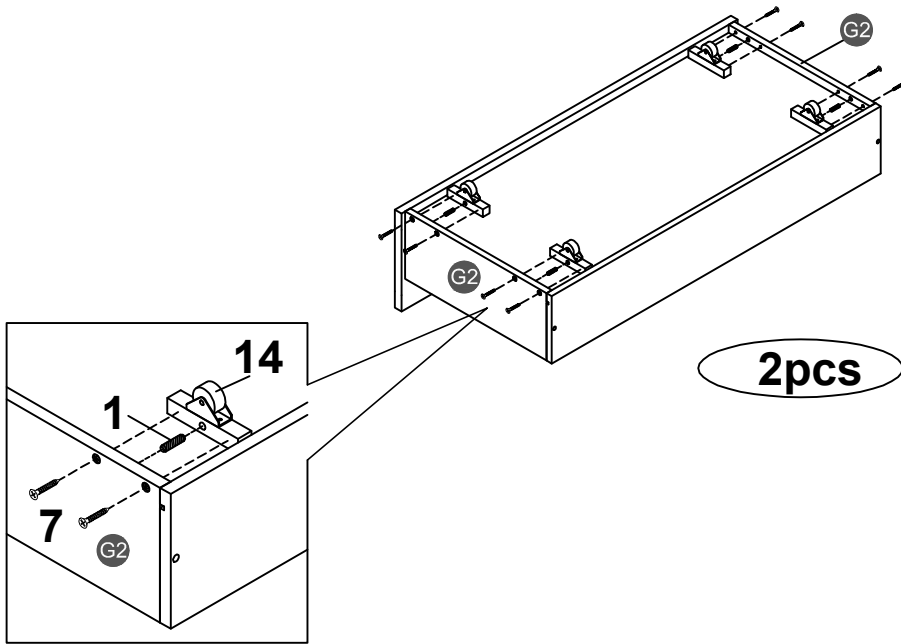
STEP 28:

2		4		5	
8PCS		4PCS		4PCS	



x 2

STEP 29:



1



8PCS

7



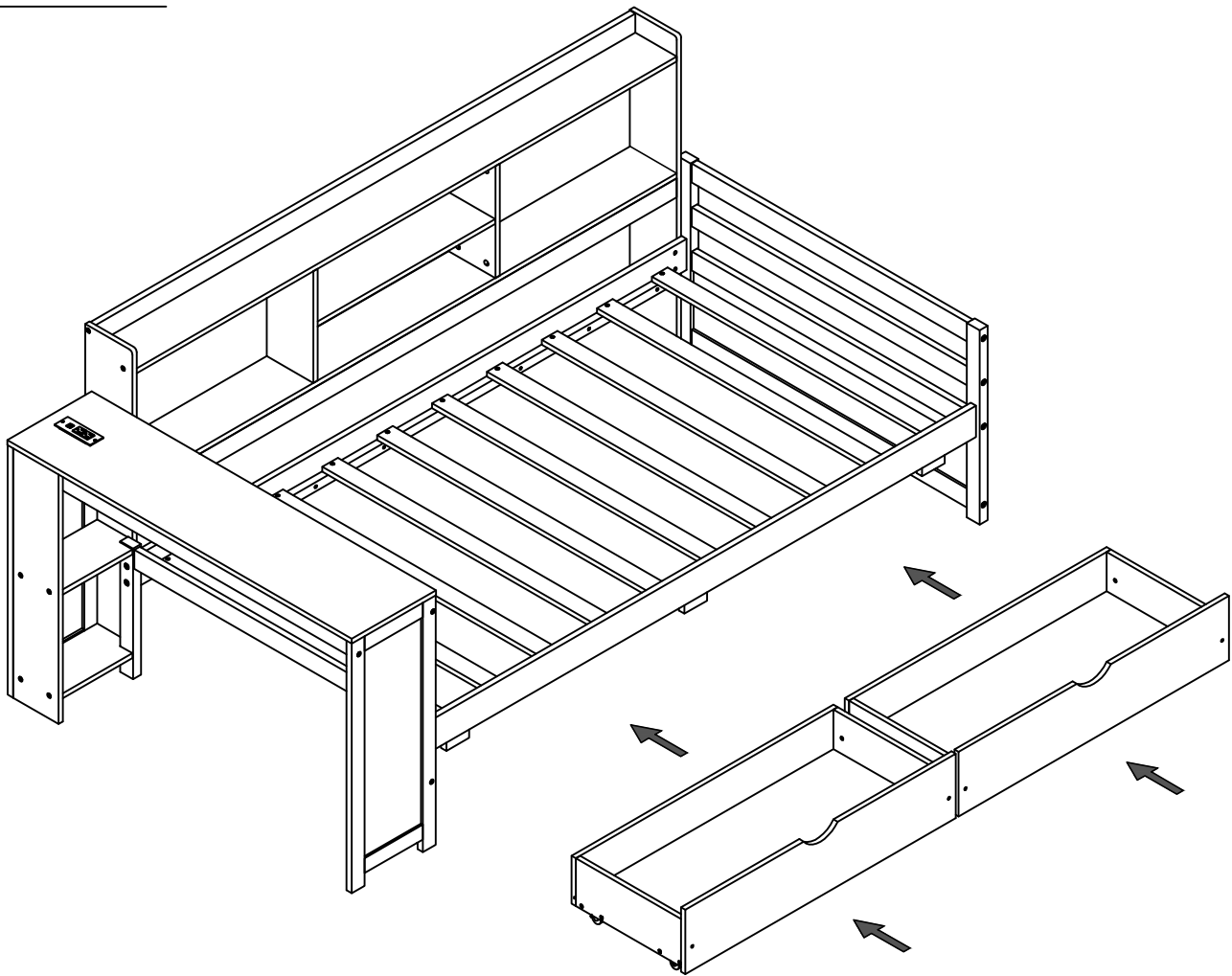
16PCS

14

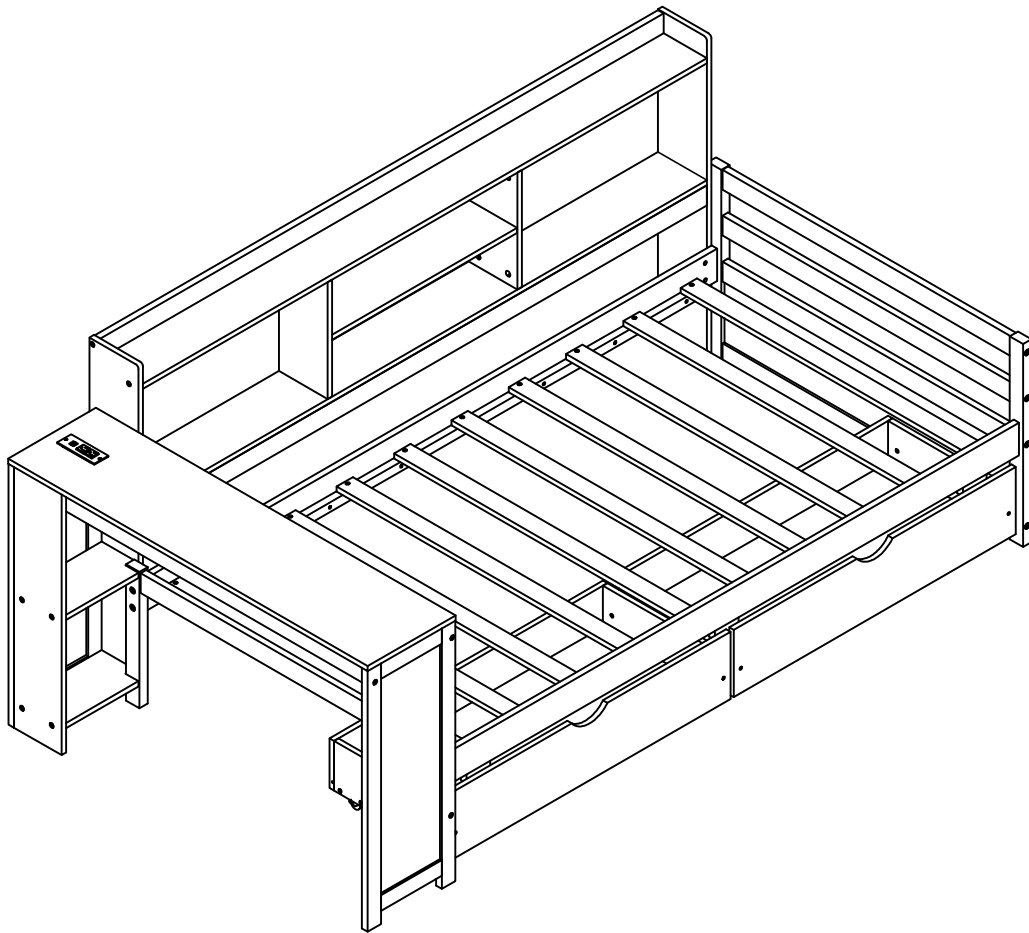


8PCS

STEP 30:



Push drawer under the bottom of Bed.



Make sure to tighten all the screws of the bed.