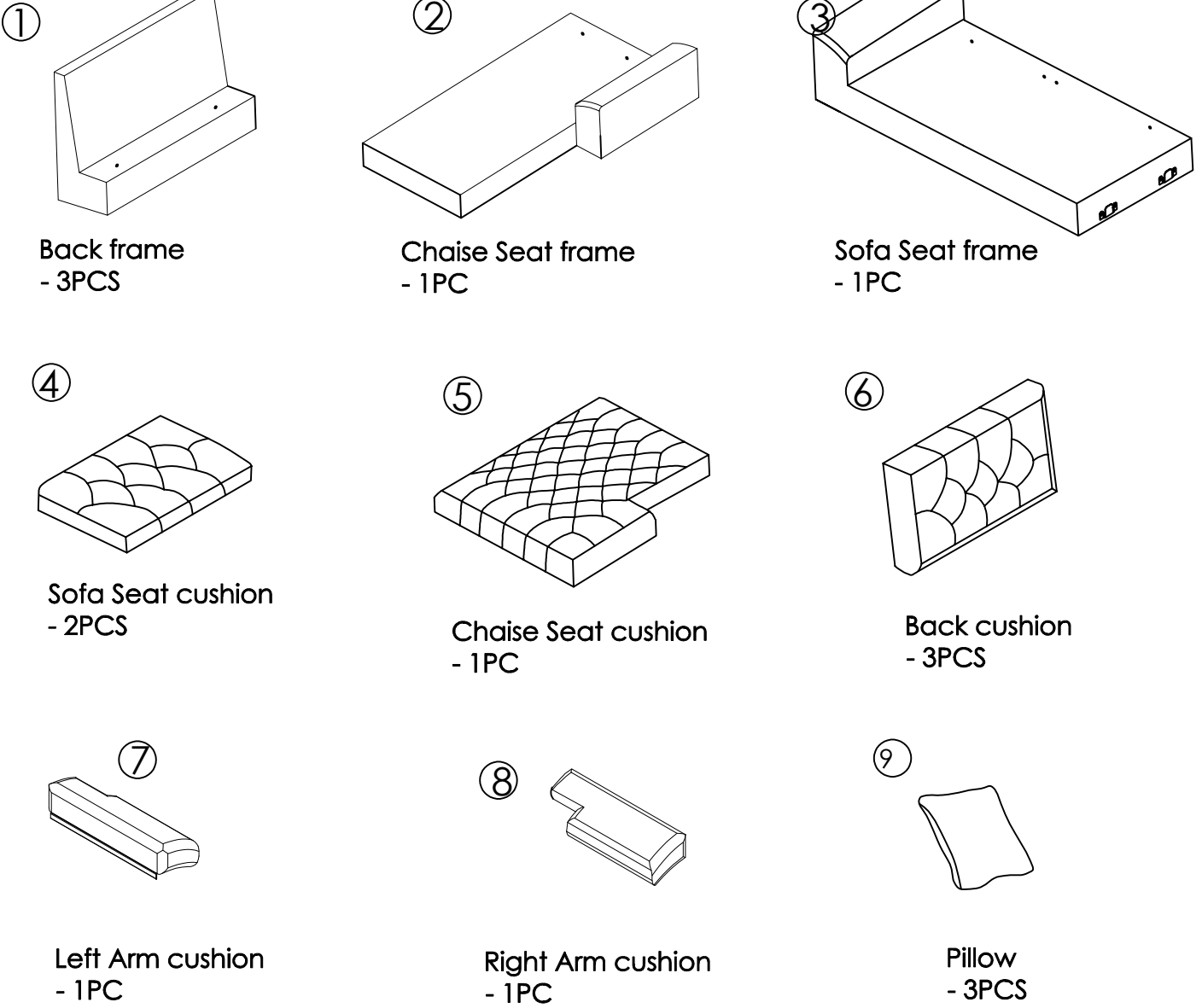


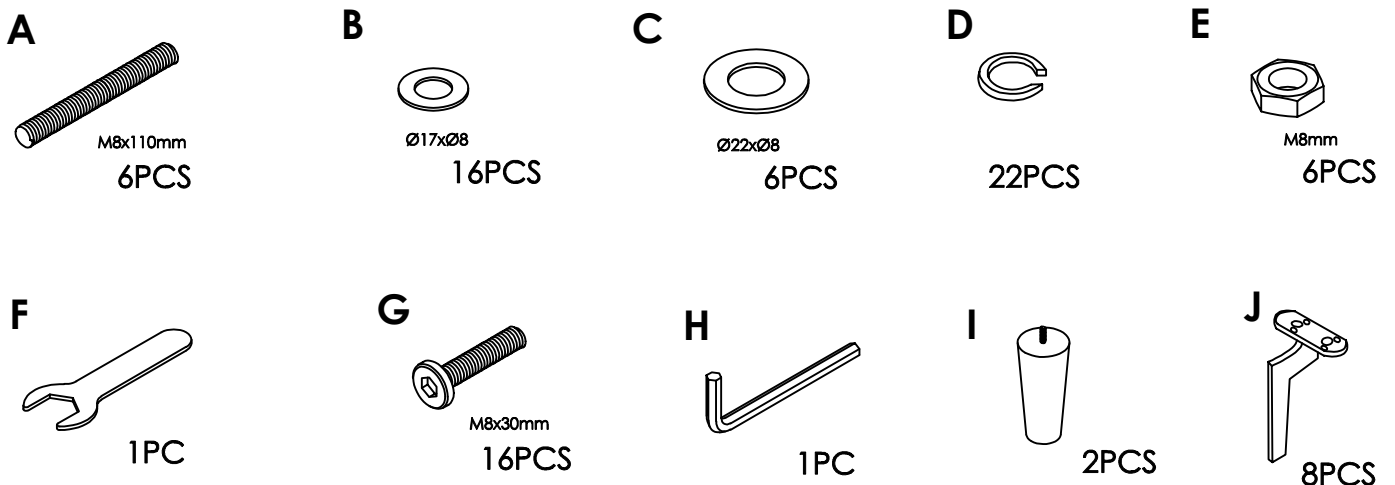
# ASSEMBLY INSTRUCTIONS

ITEM NO.: RYS43A

## PARTS

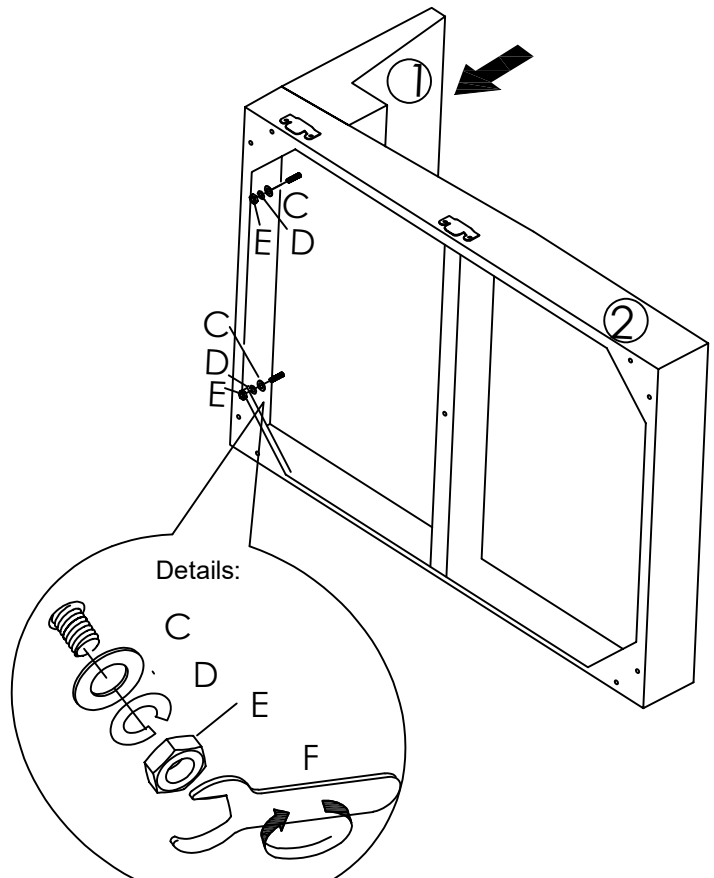
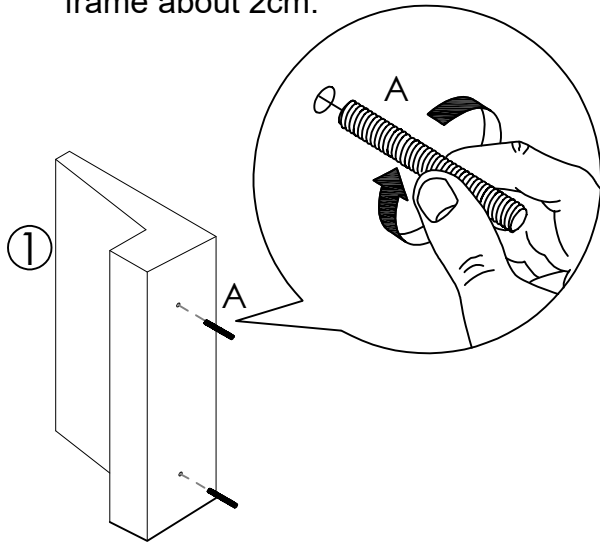


## HARDWARE

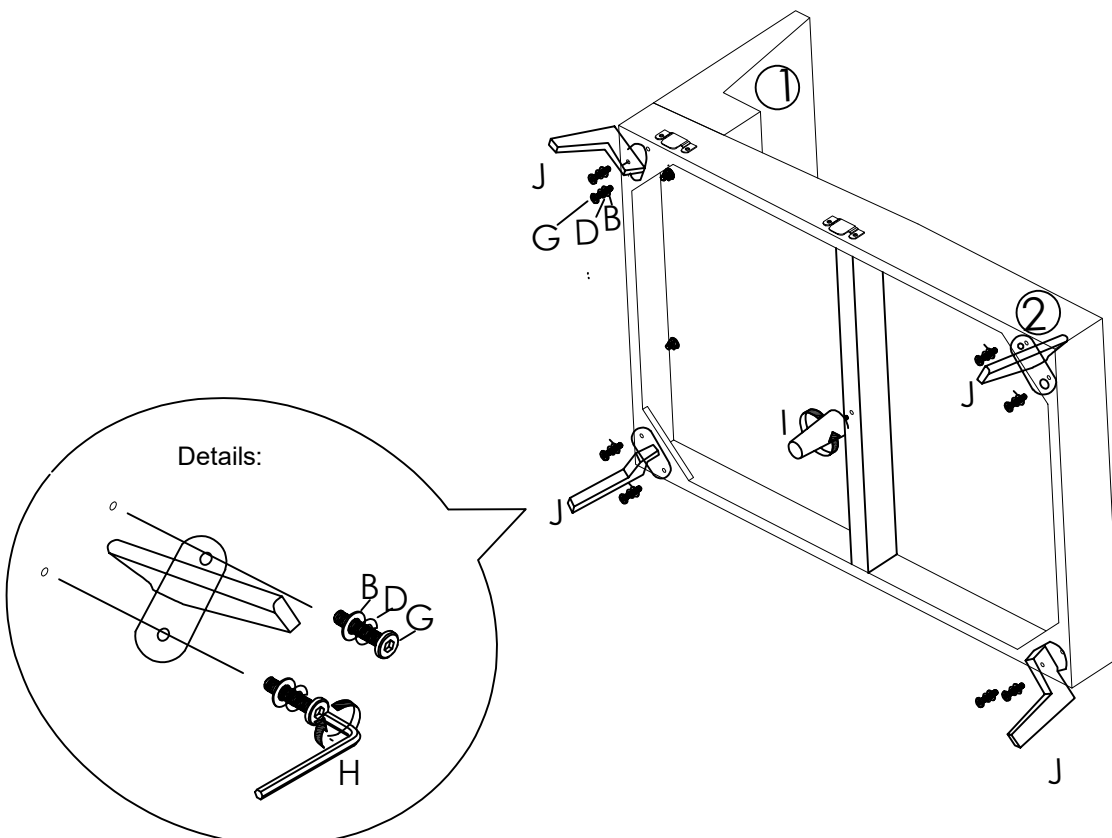


Step 1:  
Tighten 2 screws "A" into the back frame about 2cm.

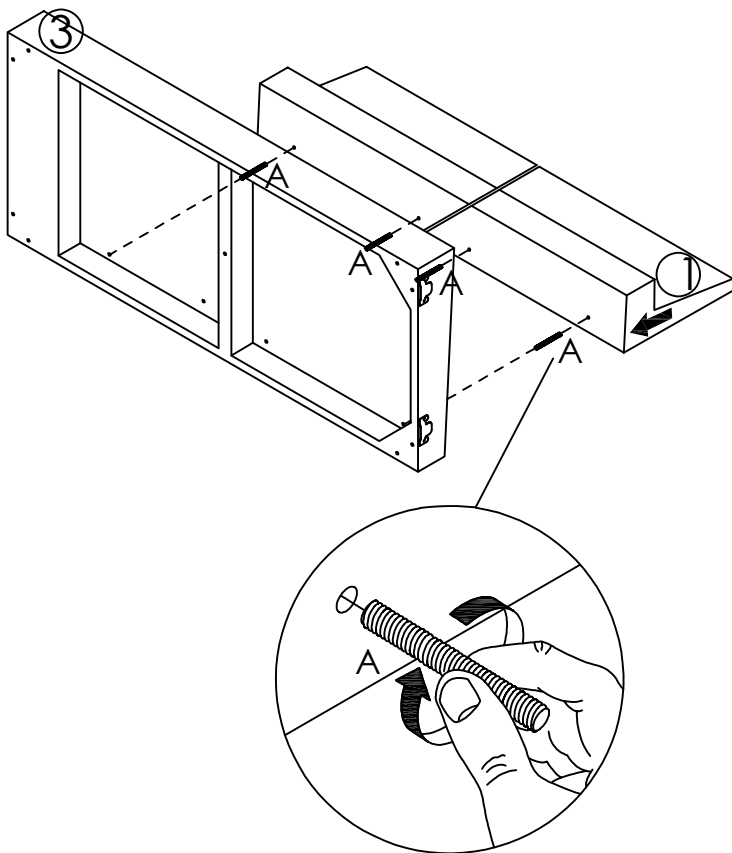
Step 2:  
Insert the back frame to seat frame, then put the washer "C, D", and nut "E", tighten the nut with wrench "F"



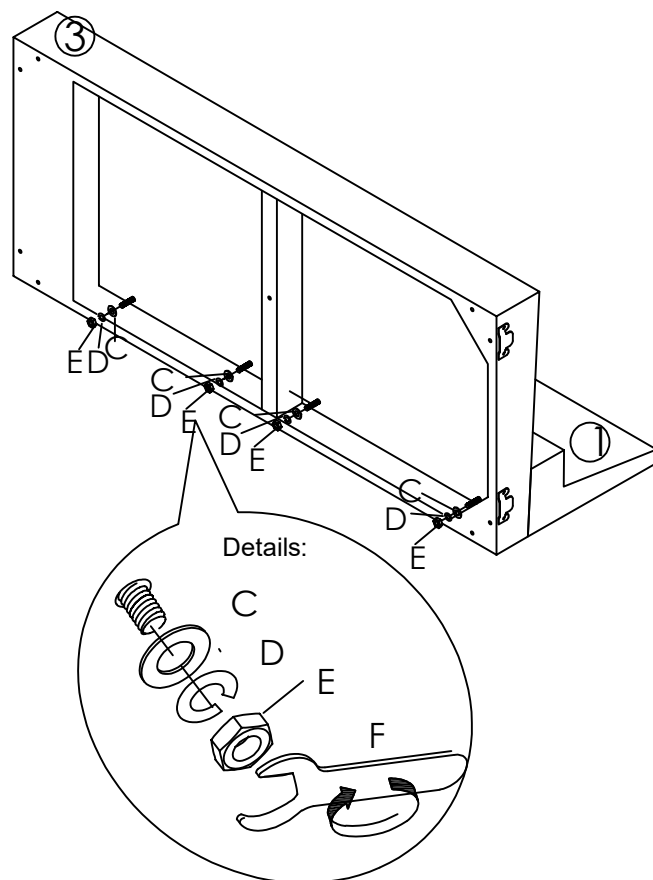
Step 3:  
Assemble the metal leg "J" & middle leg "I" under the sofa



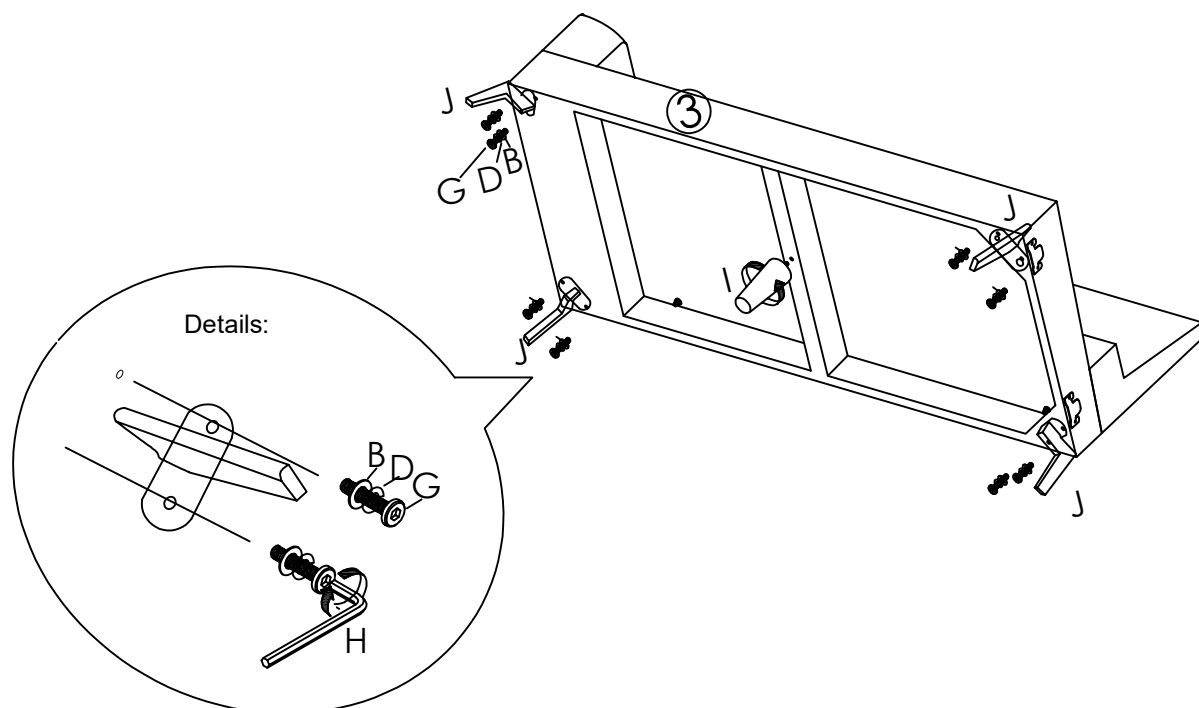
**Step 4:**  
Tighten 2 screws "A" into each back frame  
about 2cm.  
Insert the back frame to seat frame,



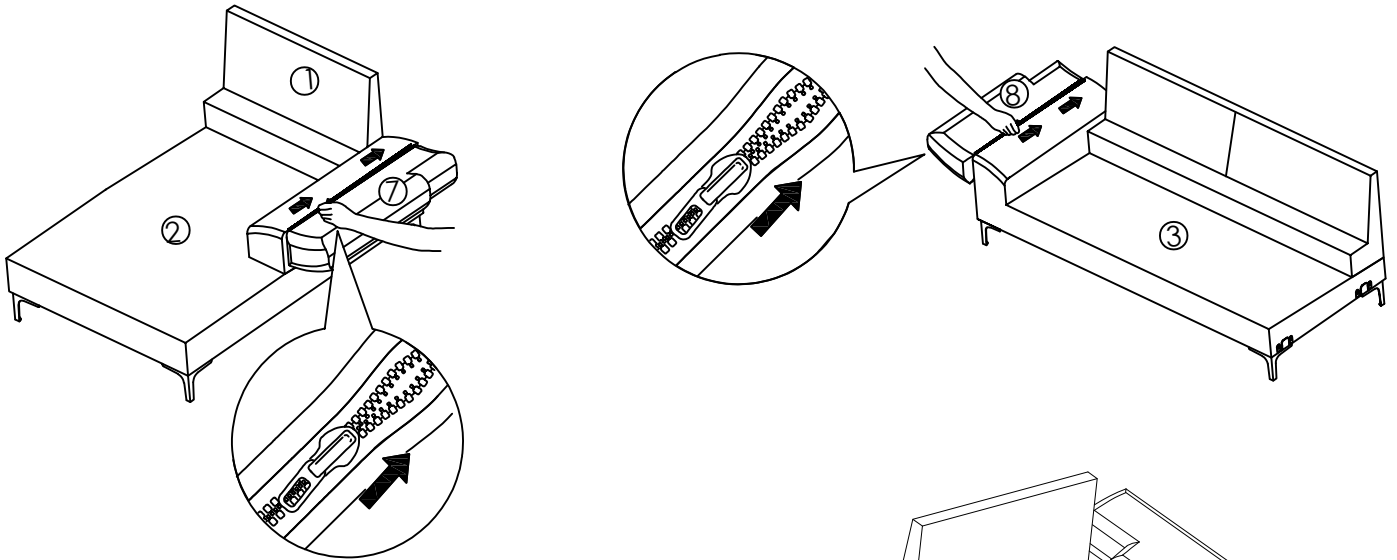
**Step 5:**  
Put the washer "C, D" , and nut "E",  
Tighten the nuts with wrench "F".



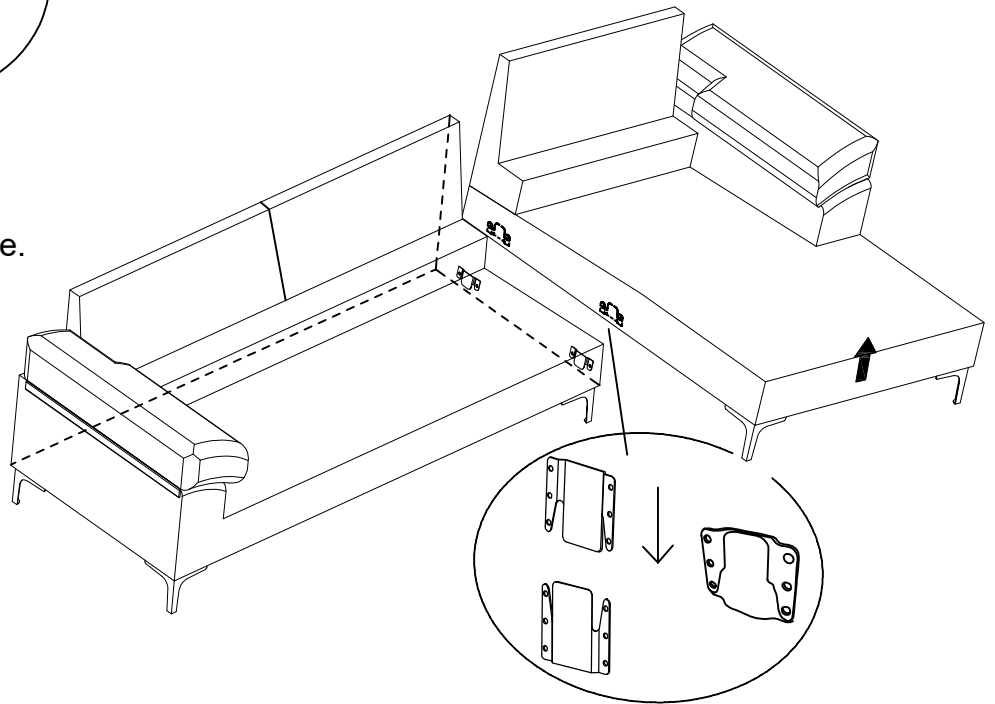
**Step 6:**  
Assemble the metal leg "J" & middle leg "I" under the sofa



Step 7:  
Zip the armrest, and stick the velcro.



Step 8:  
Connect the sofa and chaise.



Step 9:  
Remove the black strips on cushions.  
Put the seat cushions and back cushions  
on sofa. Press them to stick the Velcro.  
Then the assembly is finished.

