

ASSEMBLY INSTRUCTION

VH8800 - Corktown table

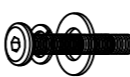
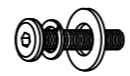

IMPORTANT SAFETY CONSTRUCTION

Thank you for purchasing this quality product. Be sure to check all packing material carefully for small parts that may have come loose inside the carton during shipment. Please read all instruction carefully before assembling. For your safety, assembly by two people is recommended.

PARTS INCLUDED:

- (1) Table Top (C1)
- (2) Leg (C2)
- (1) Cross bar (C3)
- (2) Side stretcher (C4)

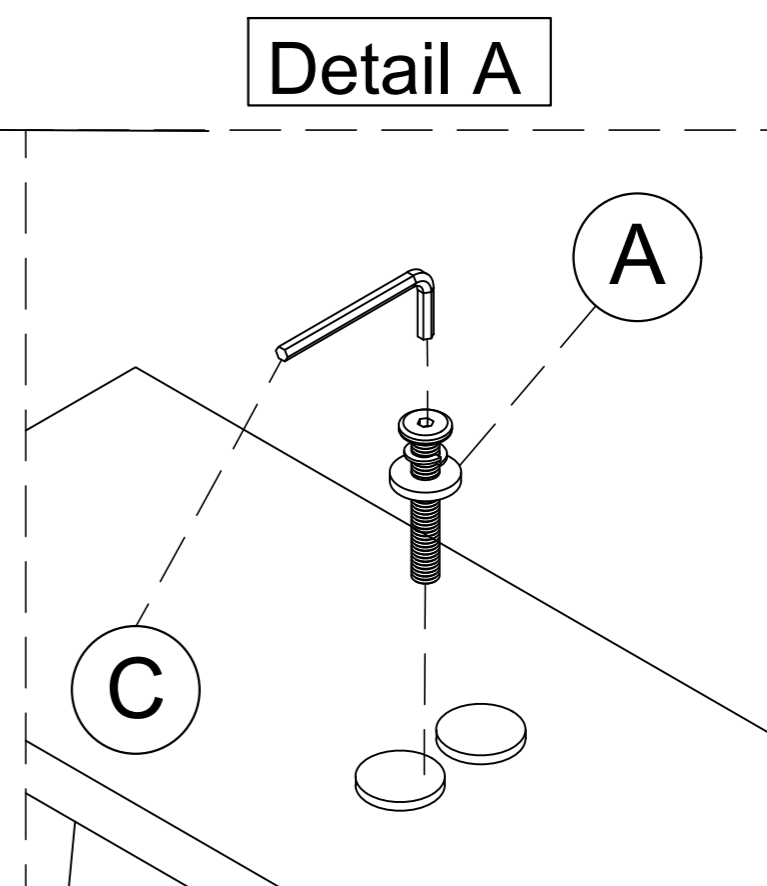
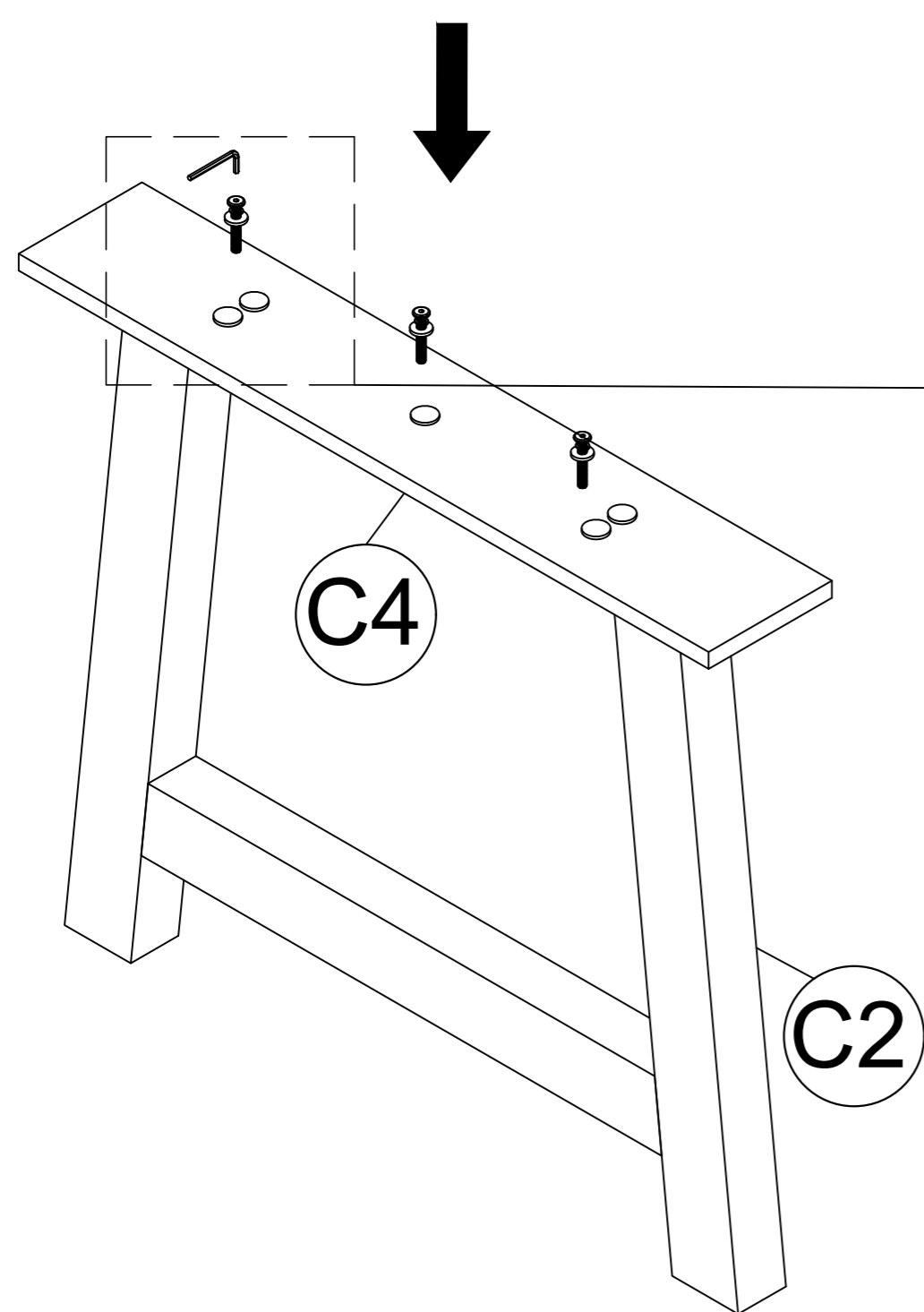
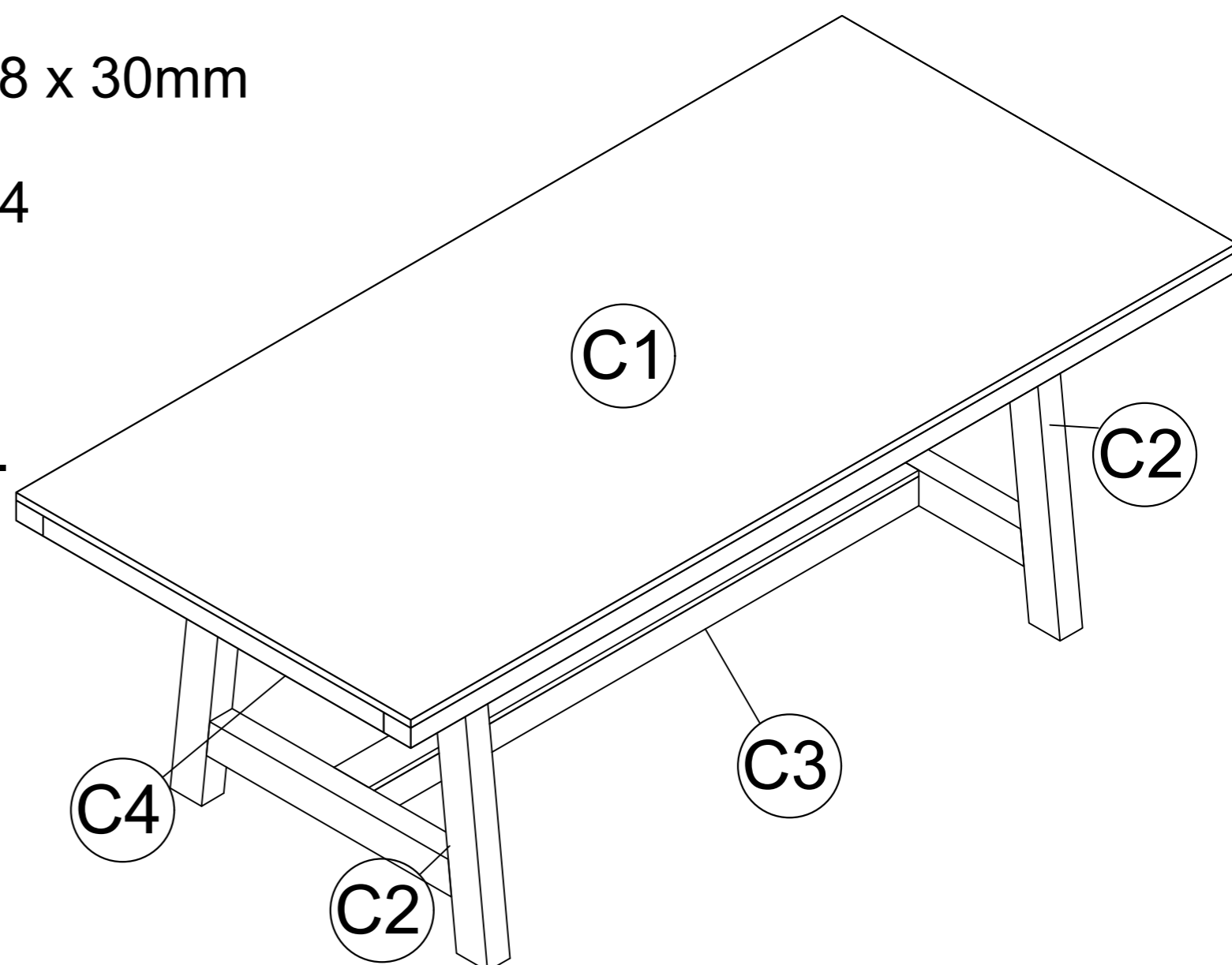
HARDWARE ENCLOSED:

- A x 12  Ø8 x 50mm
- B x 12  Ø8 x 30mm
- C x 1  M4

ASSEMBLY INSTRUCTIONS

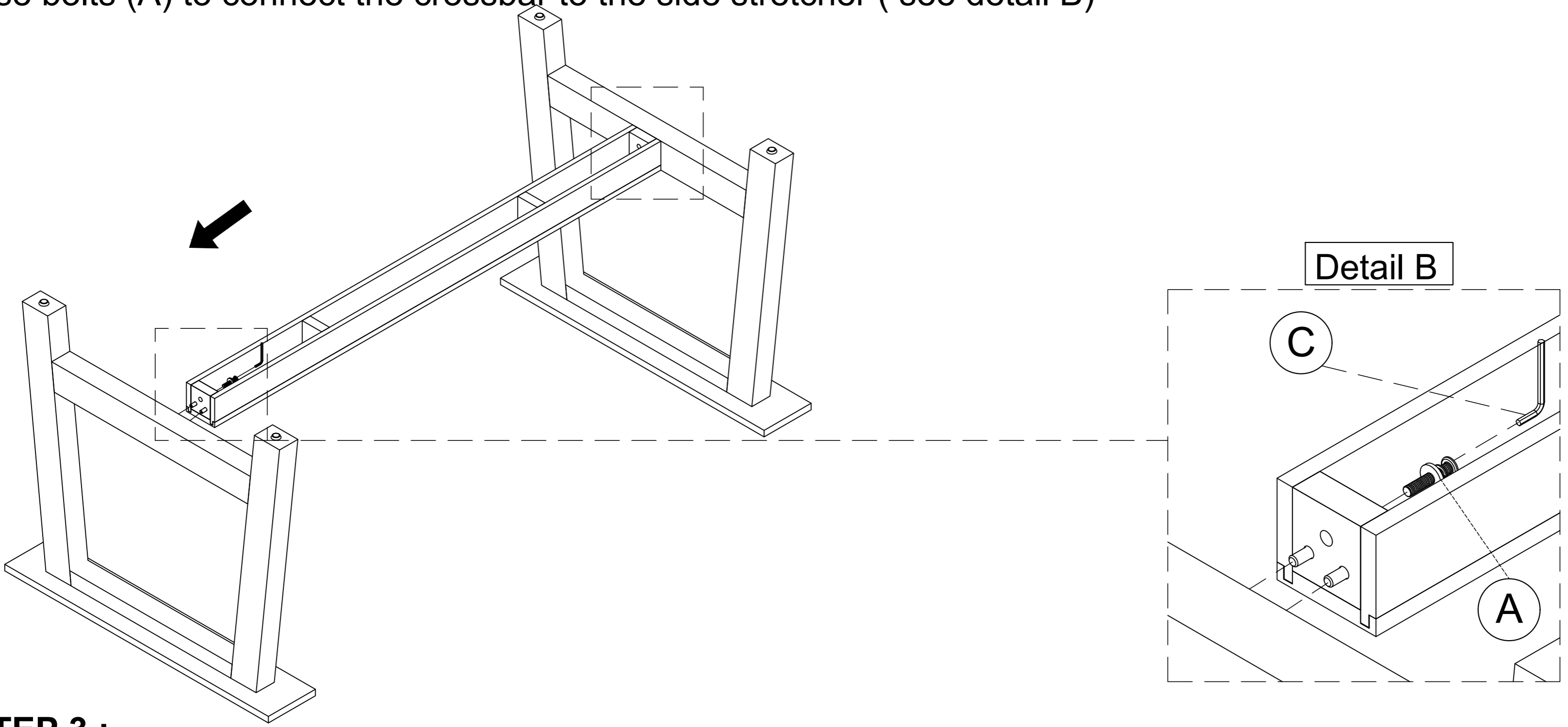
STEP 1:

-Use the bolt (A) to attach the tree to the leg (C2) assembly.



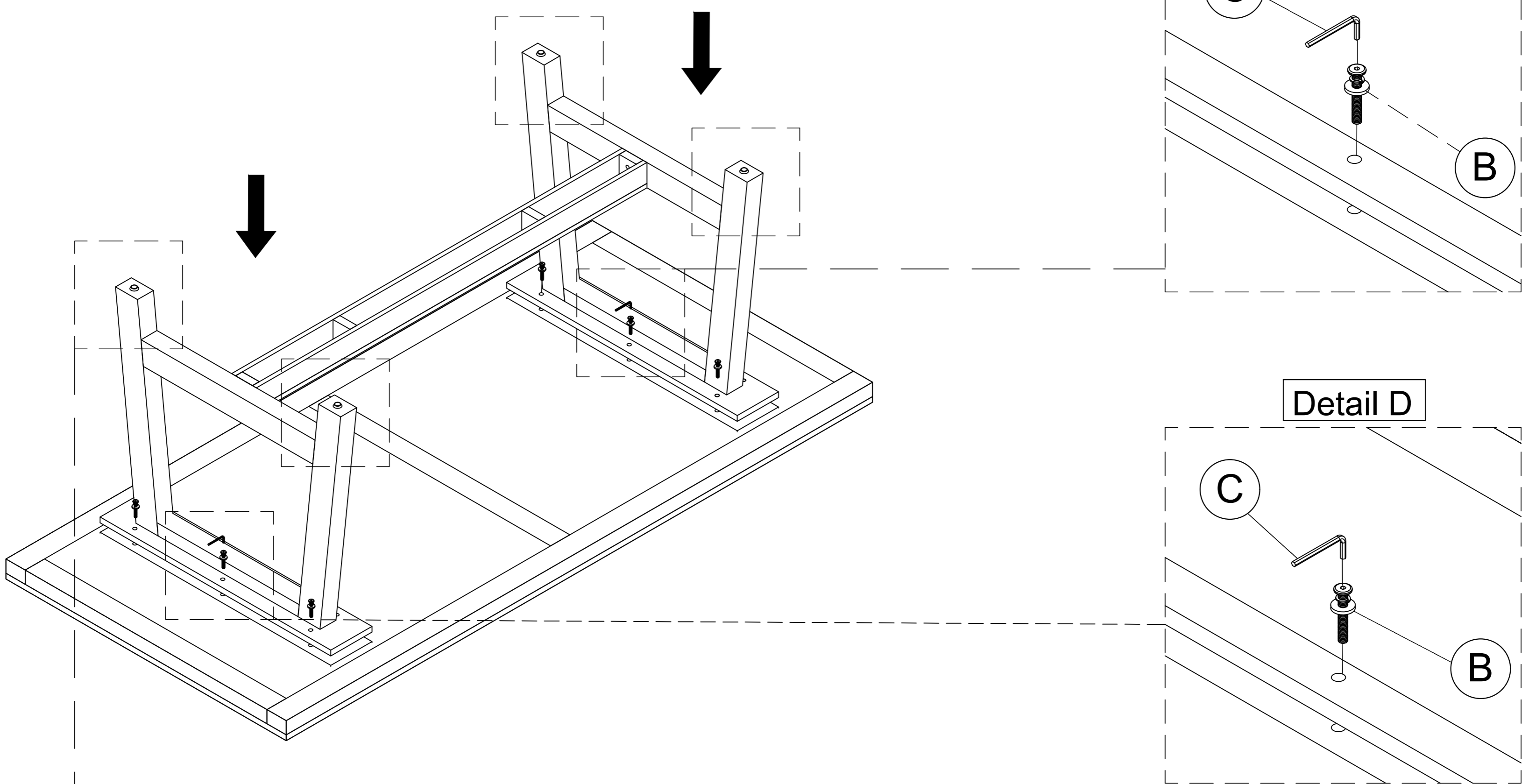
STEP 2:

-Use bolts (A) to connect the crossbar to the side stretcher (see detail B)

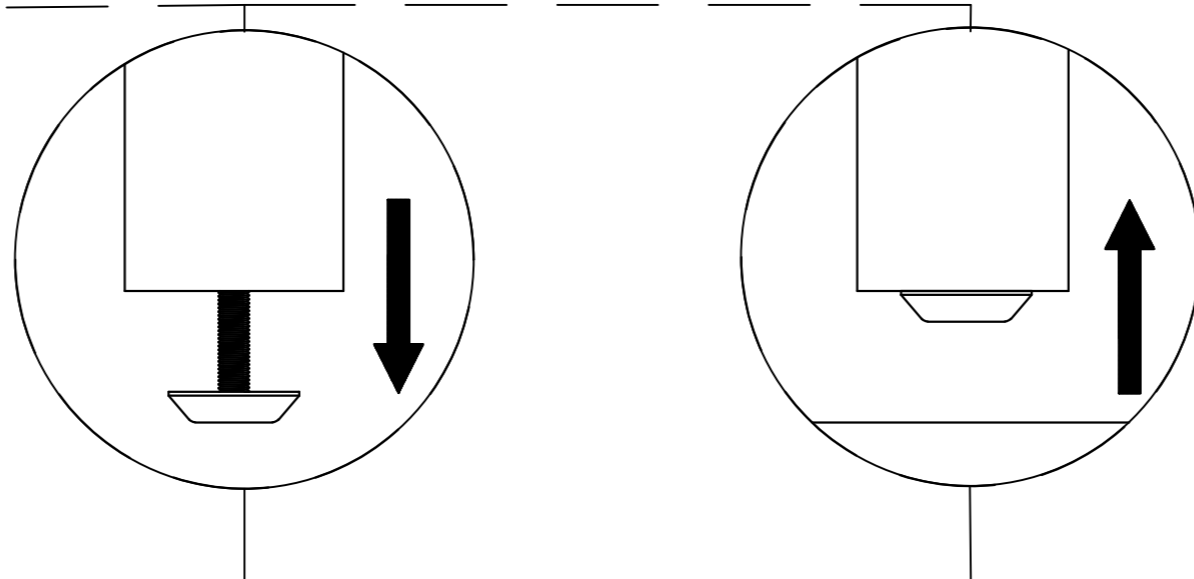


STEP 3 :

- Carefully place the top (C1) on a smooth flat surface to avoid scratches
- Use bolts (B) to attach the leg frame (C2) to the table top (C1) (See details C and D)
- Fully tighten the bolt until the parts are in place.



Adjustable Leveler Instructions



NOTES:

The use of power tools for assembly is not recommended. Power tools can damage hardware or split wood.