

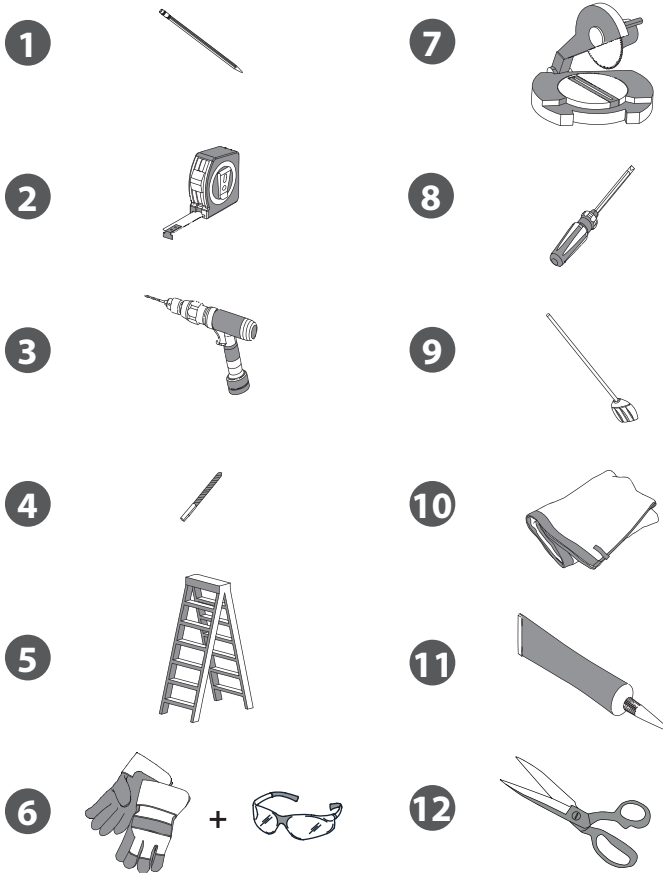
Room Divider Installation Instructions

Full Height and Open Air Systems



Tools

You will need the following tools:



Required:

The number of individuals required is based on the weight of your panel. We recommend at least 2 able individuals.



Legend:

- | | |
|---|--------------------------------------|
| 1 Pencil | 7 Metal Cutting Saw |
| 2 Tape Measure | 8 Medium Phillips Screwdriver |
| 3 Drill | 9 Broom or Vacuum |
| 4 1/8" Drill Bit | 10 Soft Cloth |
| 5 Ladder | 11 Clear Silicone Adhesive* |
| 6 Protective Gloves and Safety Glasses | 12 Scissors |

Suggested Screws:

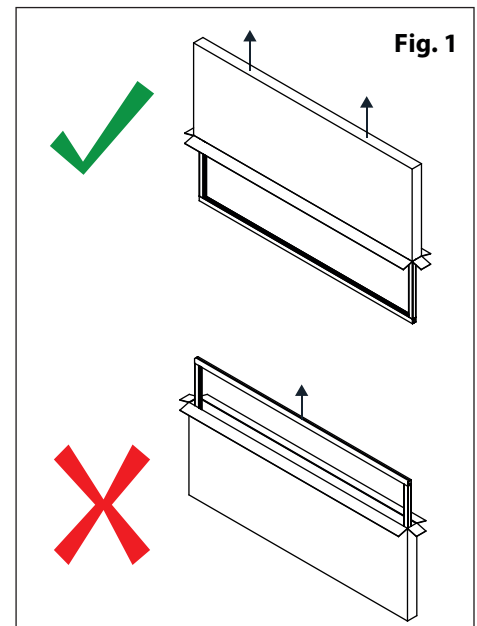
- WOOD HEADER/BLOCKING:** #10 Wood Screws
- GYPSON BOARD CEILING:** 1/4-20 Toggle bolt (with minimum rating of 200 lbs Ultimate pull-out force)
- METAL HEADER/BLOCKING:** #10 sheet metal screw with minimum pull-out force of 200 lbs each
- CONCRETE HEADER/BLOCKING:** 1/4" diameter concrete screw/anchor with rating of min. 800 lbs pull-out force

RECOMMENDED FOR CARPET: It is recommended to use a thin piece of MDF between the track and the carpet (not provided.) MDF should be cut to the length and width of your bottom track.

Before you begin your installation:

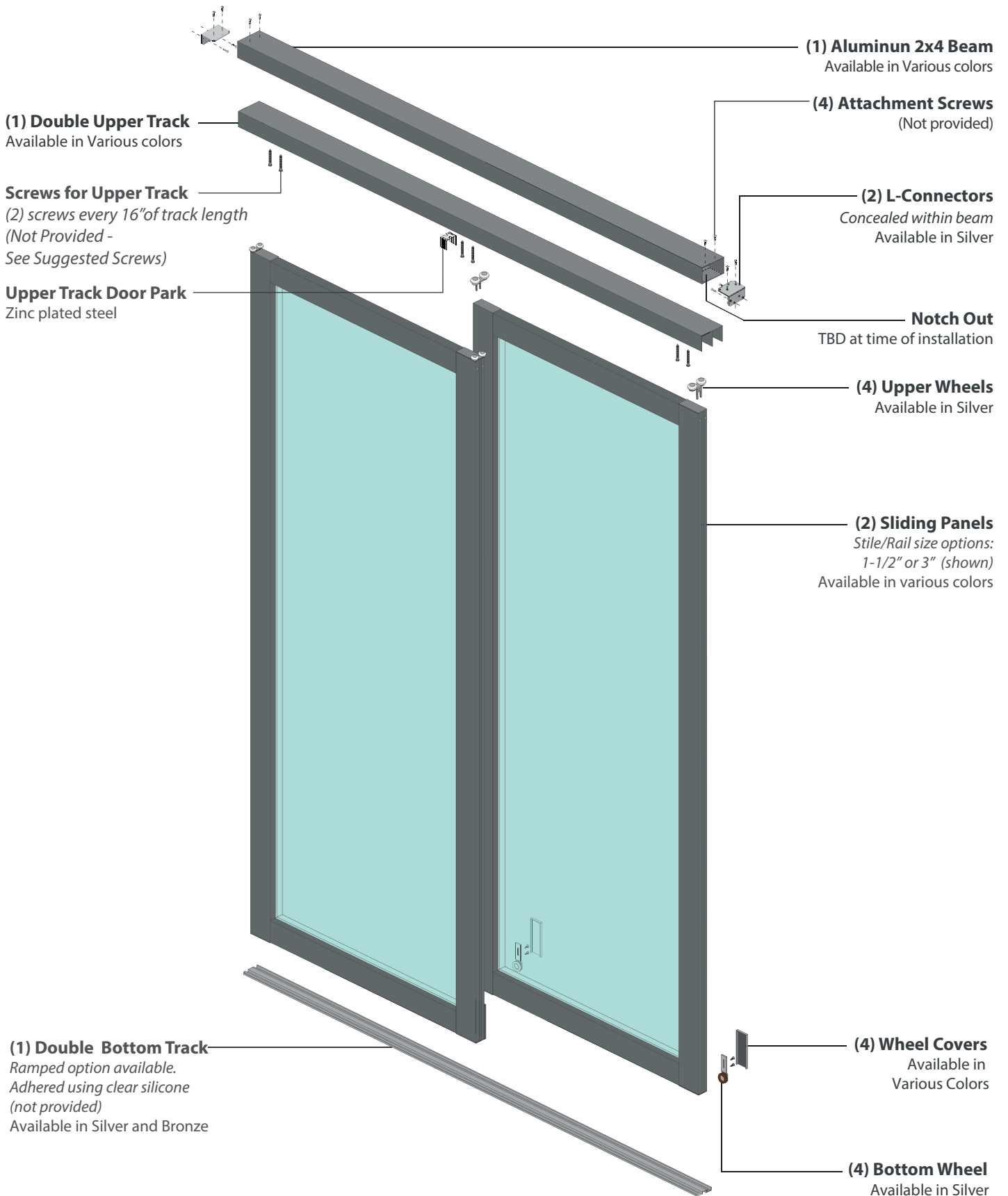
Read these instructions completely before starting.

1. Make sure there is a large, clean area to unpack and prepare the panels for assembly.
2. Unpack the tracks. Small parts may be packaged within the channels of the tracks. Be sure to go through all the packaging to avoid disposing of any parts.
3. Open the box containing the panel from one of the long sides. Turn the box so that the open end is against the floor and lift the box off of the panel. Do not try to lift the panels out of the box by pulling on the door frames. Damage may occur to the frame and glass if handled this way. See Figure 1.
4. Check the box for any small parts before disposing. Wheel kits and small hardware will be packaged in the box with the panel.
5. Measure the doors to make sure they are the correct height. The panel should be 2-1/4" shorter than the opening height.
6. Unless specified during the order process, tracks will arrive two inches longer than the opening width.
7. Check that all parts and pieces are present before you begin the installation. See Figure 2 and 3.



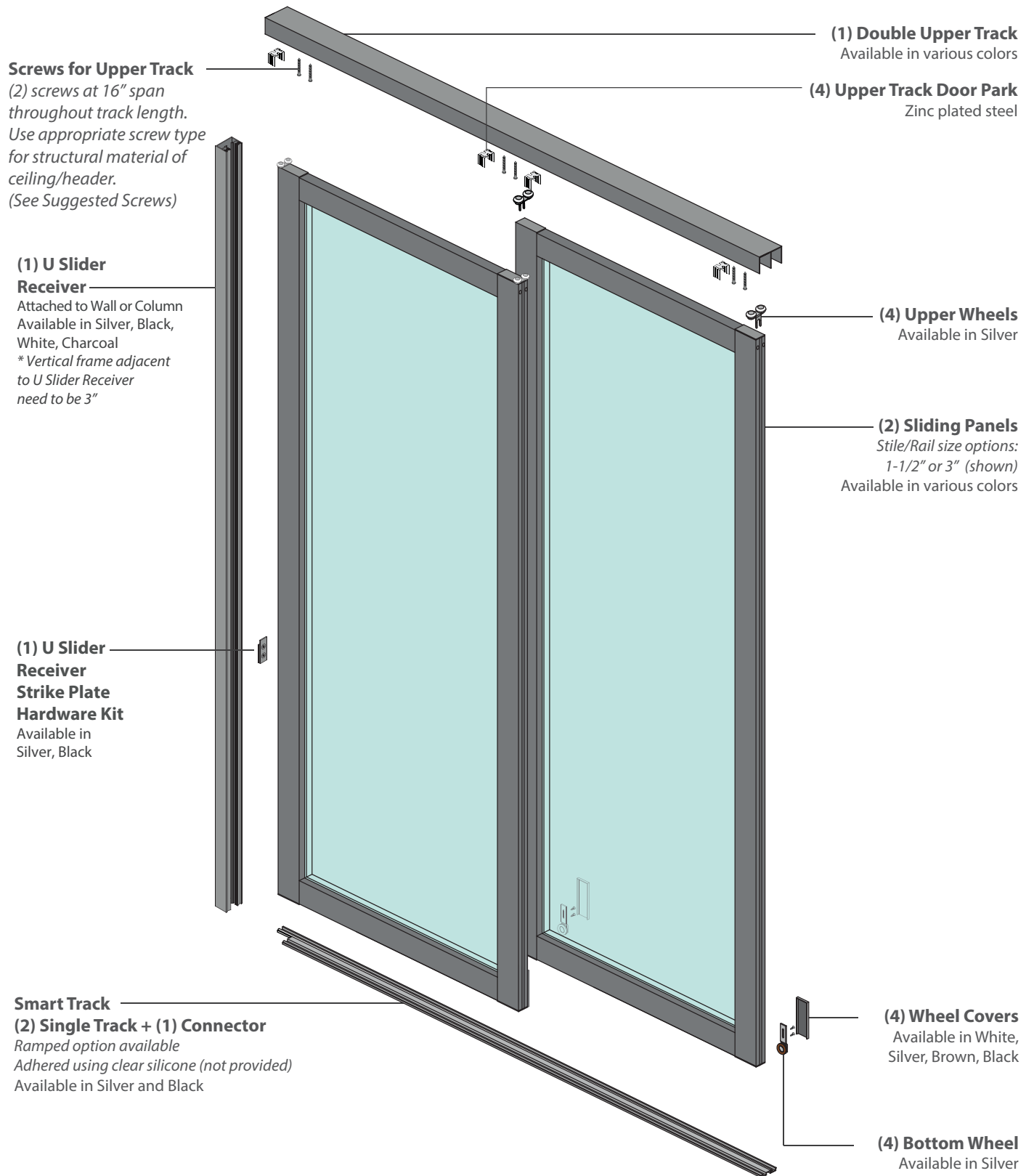
Becoming Familiar with your Room Divider System: *(Open-Air System shown with Upper Beam)*

Fig. 2



Becoming Familiar with your Room Divider System w/U Slider Receiver

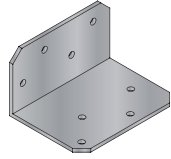
Fig. 3



For Full Height Systems (floor to structural header - provided by others) skip to "Installing Your Upper Track."

Installing the L-Connectors:

L-Connectors are the brackets that hold up the upper beam. One is required at each end of the beam, and should be attached to a wood or metal stud within the wall.



1. Locate the structural studs in the wall and mark their locations. See Figure 4.
2. Mark the location for the L-Connectors by adding 1/8" to the height shown on the order. Make sure it is in line with a stud inside the wall. See Figure 5.
3. Confirm that the L-Connector is positioned with the shorter side against the wall. Using the L-Connector as a guide, mark the locations of the screw holes. See figure 6.
4. Drill the pilot holes using the 1/8" drill bit. See Figure 6-1.
5. Secure the L-Connector to the wall using the appropriate screws for the surface. See Figure 6-2. (Attachment screws are not provided - see page 2 for Suggested Screw Types.)
6. Repeat steps 1-5 for the L-Connector on the opposite wall making sure it is square and level with the first connector.

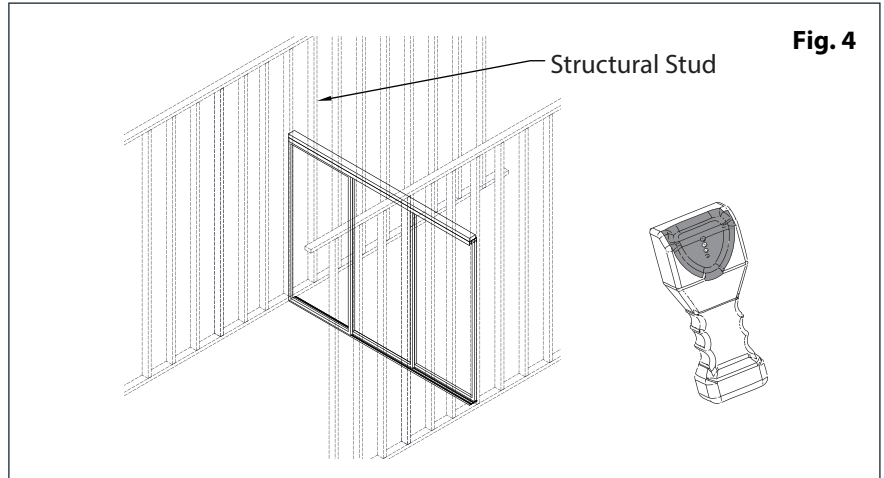


Fig. 4

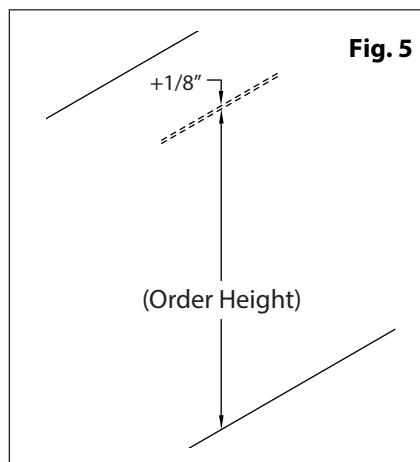


Fig. 5

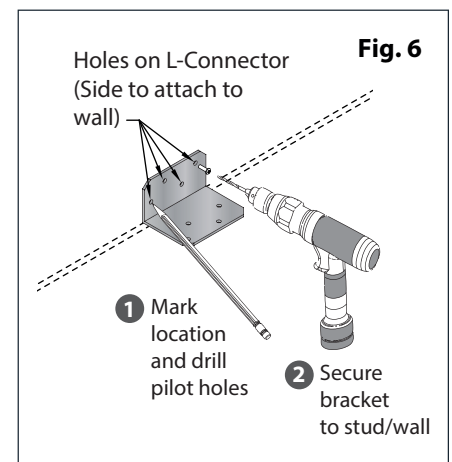


Fig. 6

Installing the Upper Beam for solutions with upper beam:

1. Measure the space from wall to wall at the location of your room divider, directly under your installed L-Connectors. See Figure 7.
2. Mark the upper beam and, if needed, carefully cut it to the measurement from step 1 using the metal saw. See Figure 8.
3. Secure the beam to the L-Connectors with the appropriate screws. See Figure 9. (Screws not provided.)

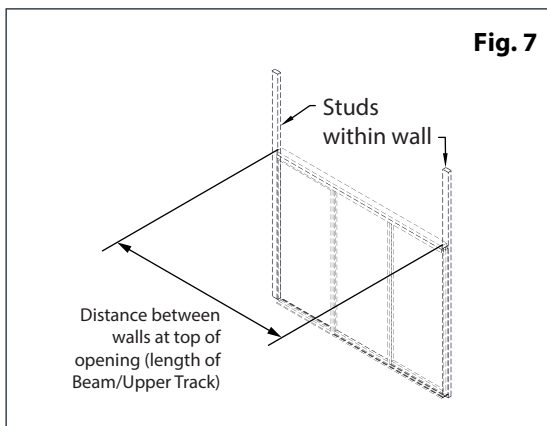


Fig. 7

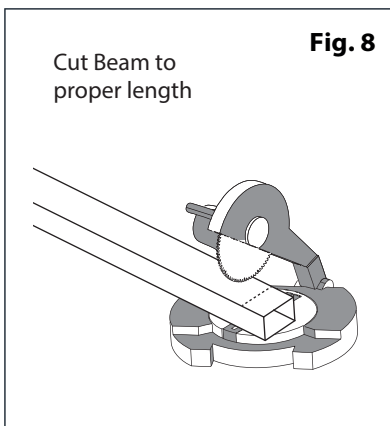


Fig. 8

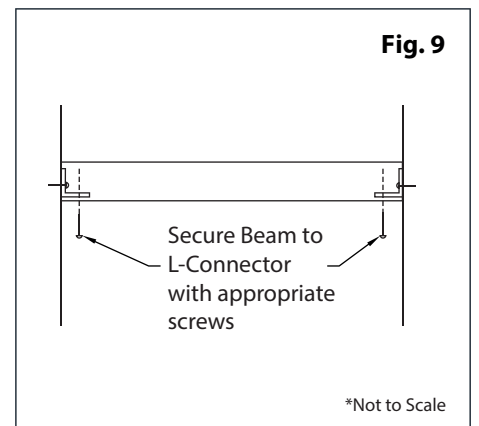
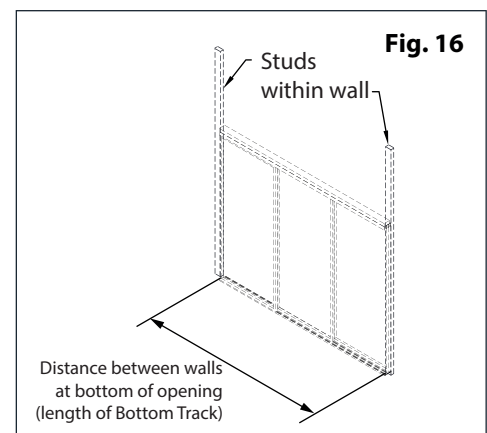
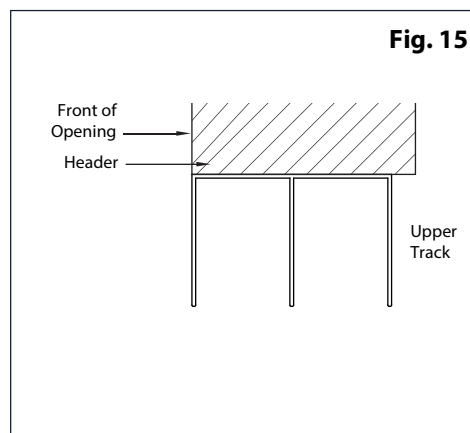
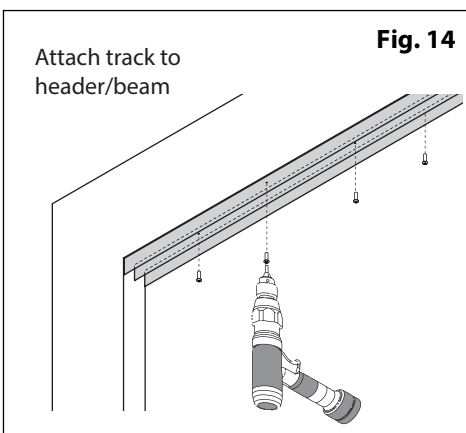
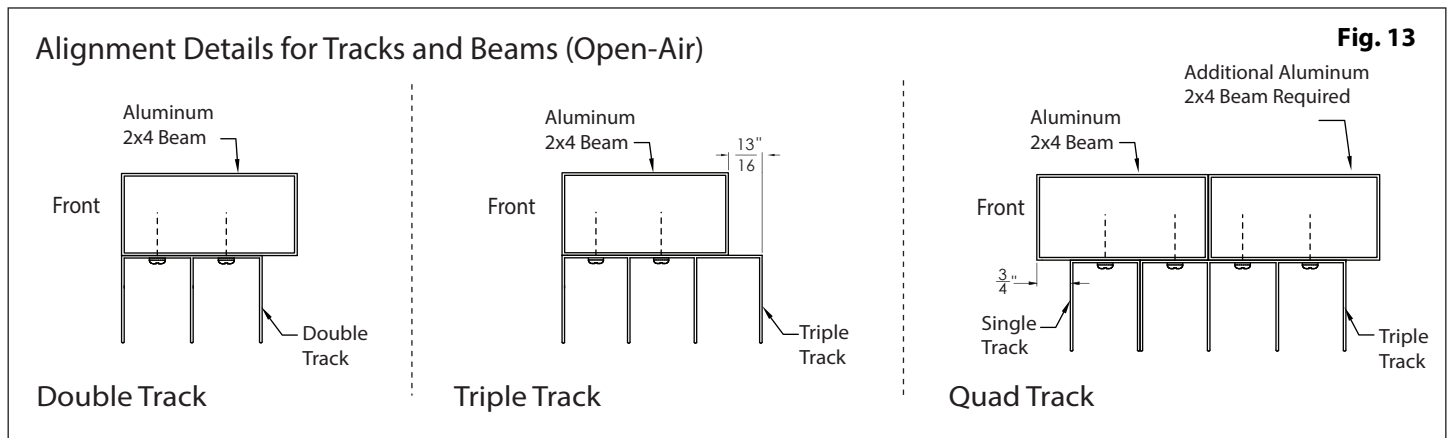
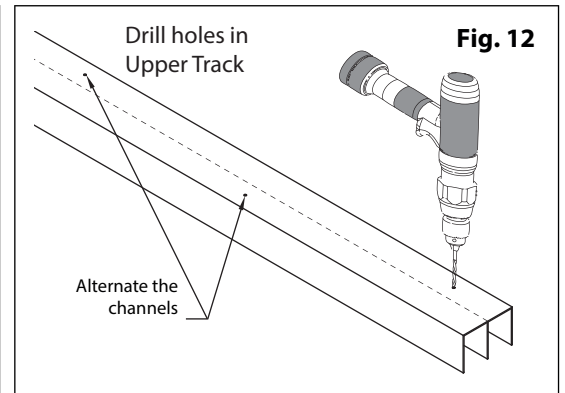
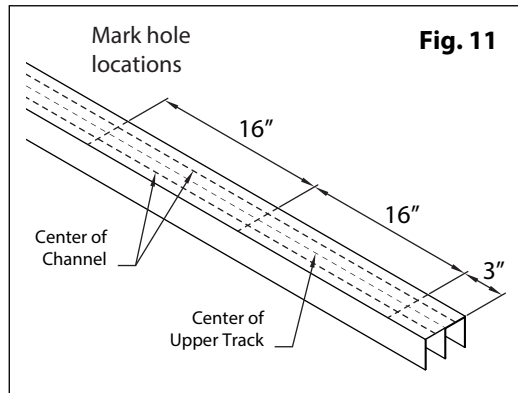
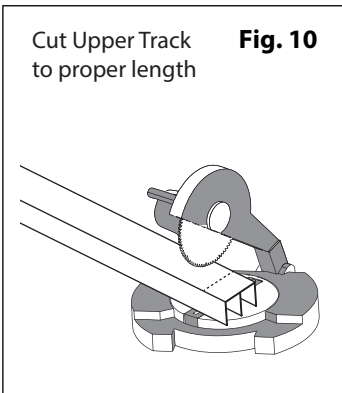


Fig. 9

*Not to Scale

Installing the Upper Track:

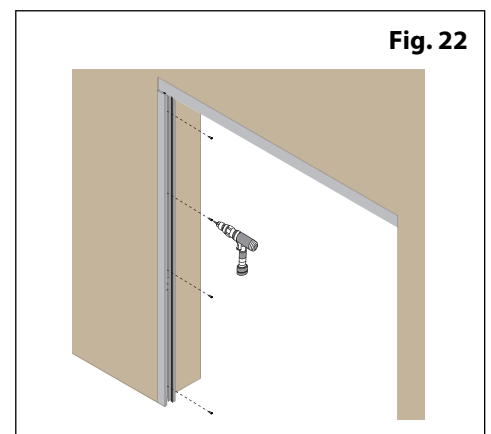
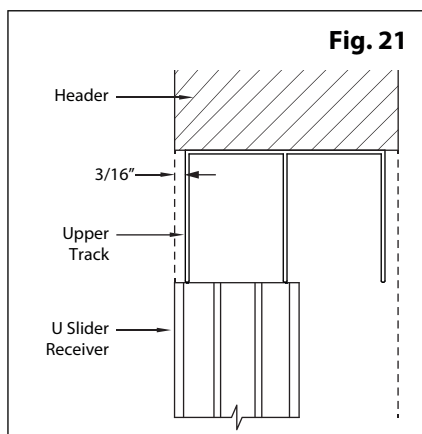
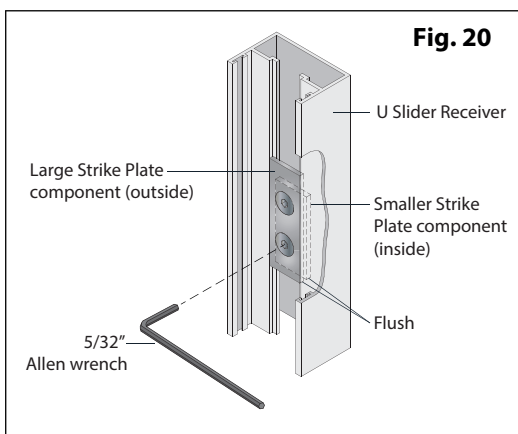
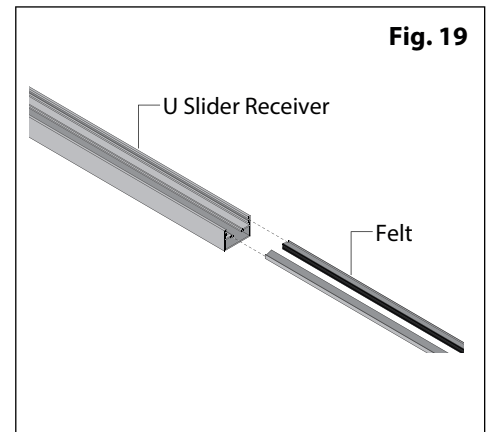
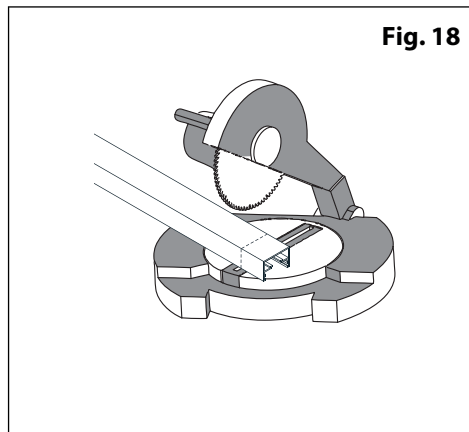
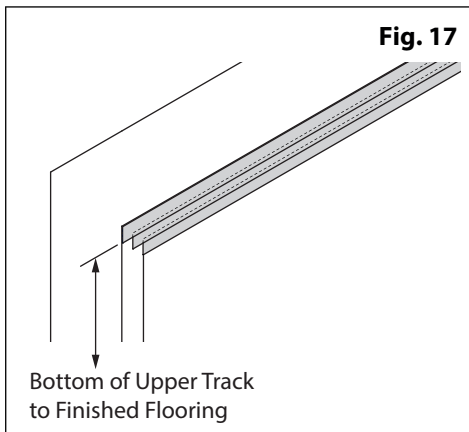
1. Measure the width of the top of the opening. Mark your upper track at this dimension.
2. Using the metal saw, cut the upper track, if needed, at the mark made in the previous step (the width of the top of your opening). See Figure 10.
3. Mark the locations of the pilot holes on top of the track. The first hole should be 3" in from the end of the track, centered within a channel. Make a mark every 16" through the rest of the track, in alternating channels. See Figure 11.
4. In the center of each channel, drill pilot holes at the marks created in the previous step using the 1/8" drill bit. (Holes must be drilled in alternating channels.) See Figure 12.
5. Lift the upper track up to the header or beam, placing it flush from the front of the header or beam. See Figure 13 for alignment options. **For systems with the U Slider Receiver on Track 1, place Upper Track back 3/16" from front of header or beam.*
6. Attach the upper track to the header/beam using the appropriate screws for the header material. See Figure 14 & Figure 15.

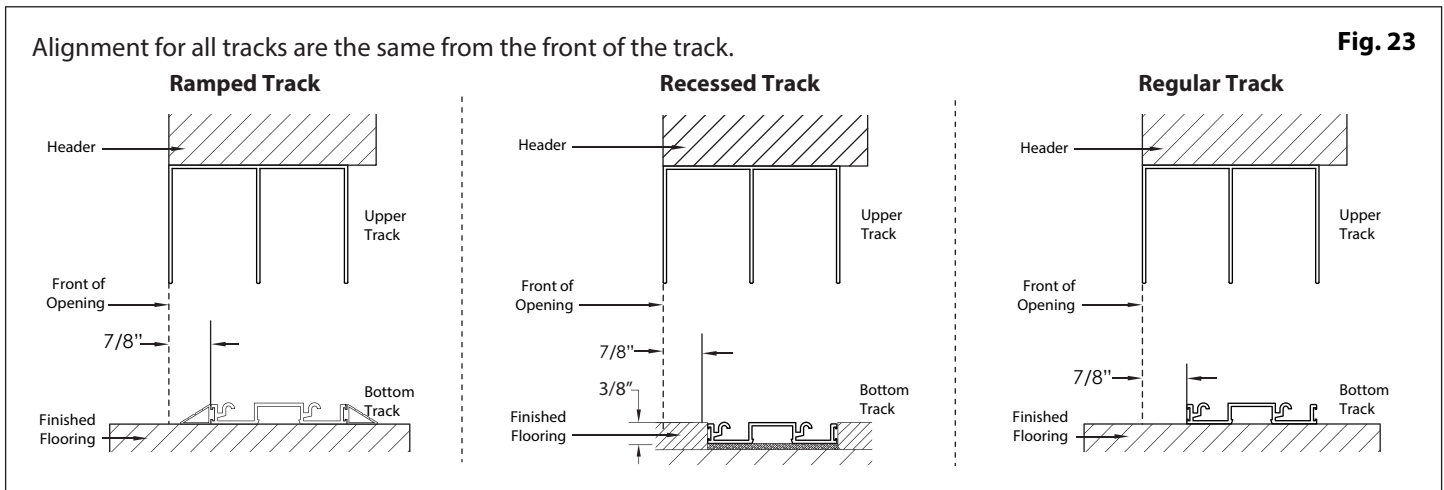


For systems without the U Slider Receiver skip to page 8

Installing the U Slider Receiver:

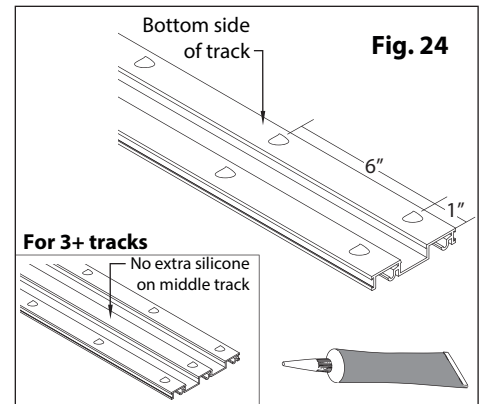
1. For systems where the U Slider Receiver will be on Track 1, make sure the Upper Track is back 3/16" from front of header or beam.
2. Measure the distance between the bottom of the Upper Track and the finished flooring. See Figure 17
3. Cut the U Slider Receiver to that measured number. See Figure 18.
4. Cut 2 Felt strips to the length of the U Slider Receiver. Slide Felt into the grooves of the U Slider Receiver on both sides. See Figure 19.
5. Pre-assemble the Strike Plate onto the U Slider Receiver. The smaller Strike Plate component will be within the U Slider Receiver. Align the Strike Plate components to be flush along the bottom side. Use a 5/32" Allen wrench to snugly tighten the Strike Plate. See Figure 20. **If the panel has a Latch, the placement of the Strike Plate will be determined by the height of the Latch after the panel has been adjusted.*
6. Determine which panel will be the lead panel. Center the U Slider Receiver to the Upper Track of that lead panel. See Figure 21.
7. Secure the U Slider Receiver to the surface of the wall or column in at least 4 places using the suggested screws from page 2. See Figure 22.
8. For the Bottom Track, follow the measurements in the Drawing to cut the portions of the Bottom Tracks to the appropriate lengths.





Installing the Bottom Track:

1. Measure the width of the bottom of the opening. Mark the bottom track at this dimension. See Figure 16.
2. Using the metal saw, cut the bottom track at the mark. **For systems with the U Slider Receiver, make note of the track lengths per the Drawing and cut accordingly.*
3. Position the bottom track on the floor 7/8" back from the front of the Upper Track. Confirm fit and installation direction. The hooks should point towards the BACK. See Figure 23.
4. Mark the location of the track on the floor, then set aside.
5. Apply small dollops of silicone adhesive to the back surfaces 1" away from ends and every 6" on the uppermost and lowermost tracks. See Figure 24.
6. Carefully place the track on a clean floor, glue side down, at the marks created in step 4.
7. Press track firmly down and immediately remove any excess silicone with the cloth.

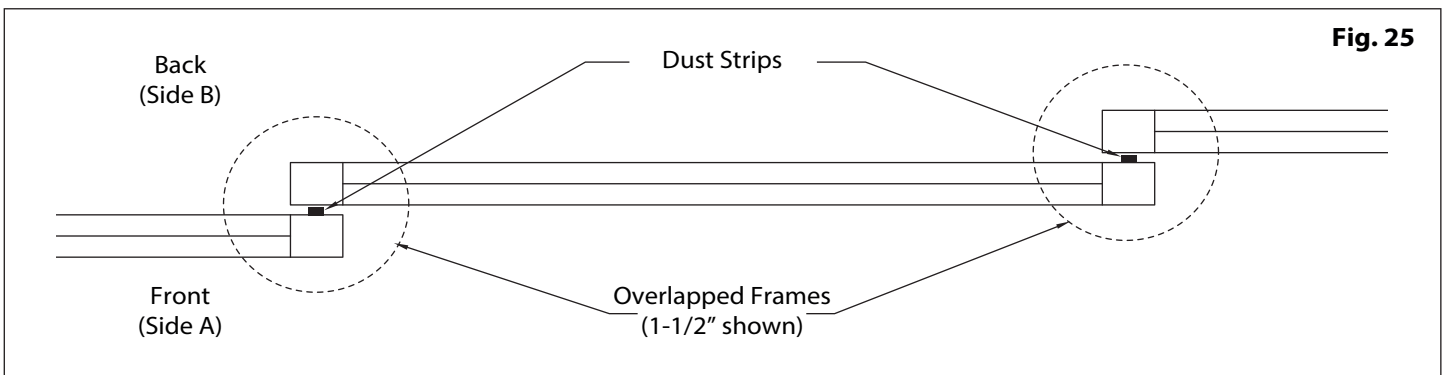


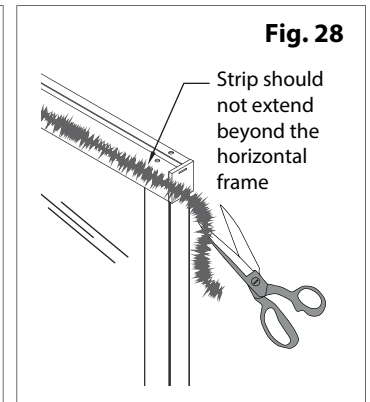
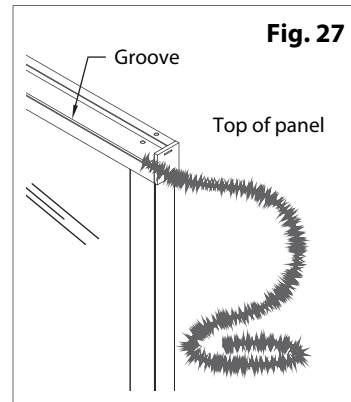
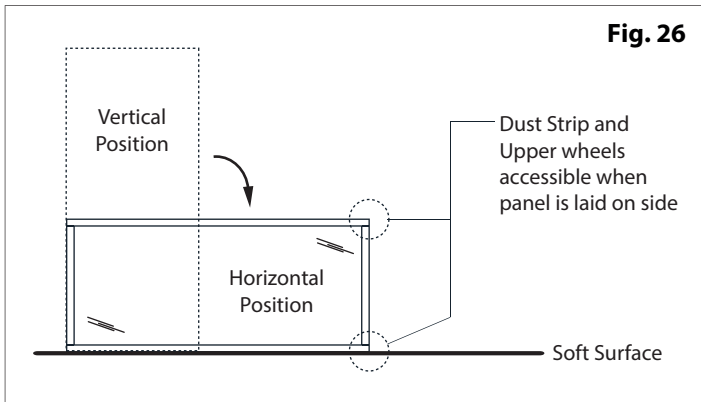
TIP: For Carpet - it is recommended to use a thin piece of MDF between the track and the carpet (not provided.) Screw MDF to the floor to flatten the carpet, and silicone the track to the MDF

If the panels have 1-1/2" frames "with grooves," they will come with a Dust Prevention or a Sound Reduction Strip. One strip is included with each panel. For all other panel types, or if you prefer not to use them, please skip to page, 7 "Installing the Panel."

Installing Dust Prevention/Sound Reduction Strips: only applies to 1-1/2" Frames with Grooves

1. Determine the layout of your panels so that you know where to install the Dust Prevention or Sound Reduction Strips. These are used where frames overlap. See Figure 25.
2. Lay the panel in the horizontal position on its side on a soft surface. See Figure 26 - page 9.
3. Locate the channel/groove on Side B (back) of the panels and slide the strips in from the top of the panel. See Figure 27 - page 9.
4. Cut off any excess length so the strip does not obstruct the upper track. See Figure 28 - page 9.

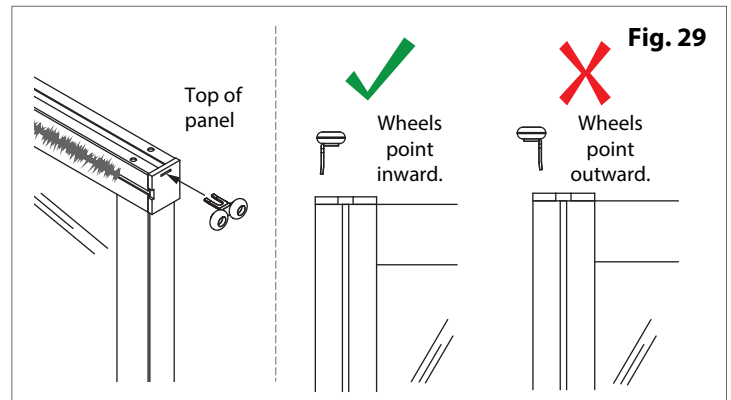




Installing the Panel:

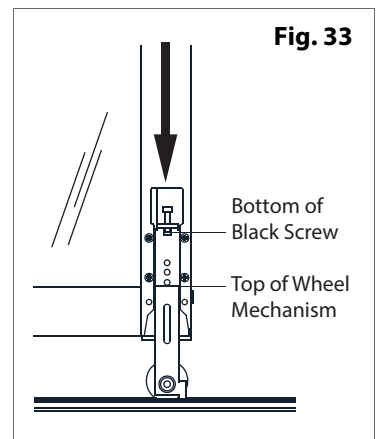
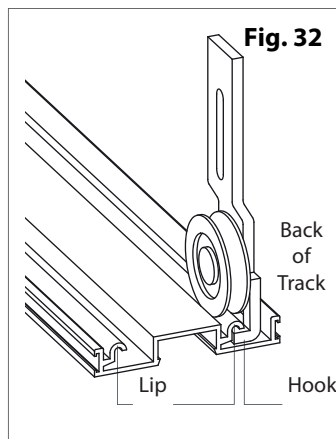
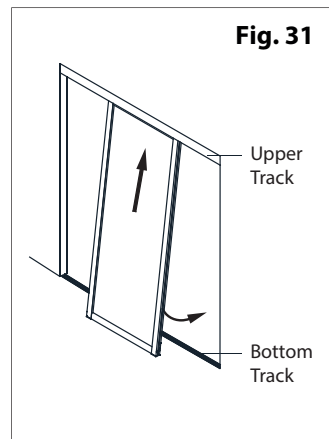
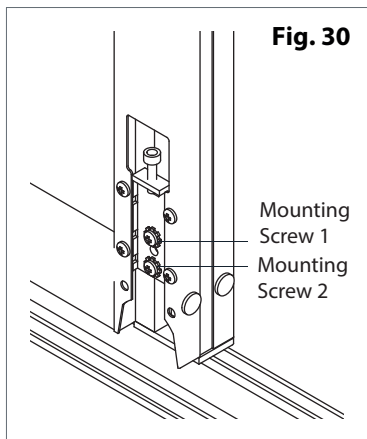
If the system you are installing is telescoping, please see separate instructions for installing bottom wheels.

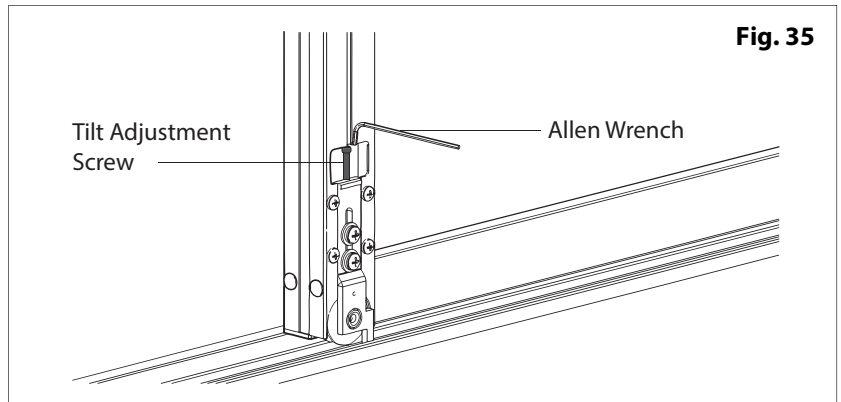
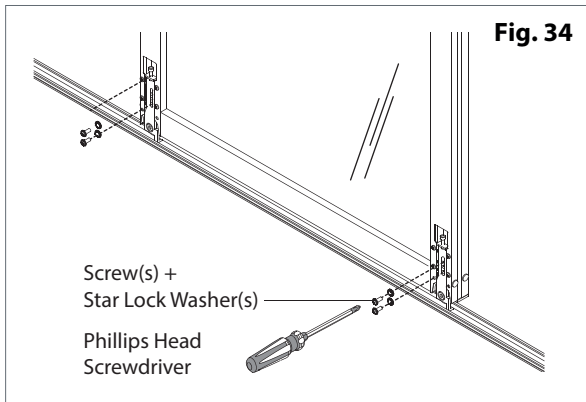
1. Locate the small box included with the panel that contains the Upper and Bottom Wheels.
2. With the panel lying on its side (Fig. 26), insert the small white glider rollers into the slots on the top corners of the panel. The wheels should point inward, sitting on the panel, not outward and hanging off. See figure 29.
3. Remove and discard any plastic fillers from the bottom corners of the panel.
4. Remove the two mounting screws from the back of the wheel wells and set aside. See figure 30.
5. Angle the panel and insert the top of the panel into the back most channel of your upper track. Pivot the panel so that it can gently rest on top of the bottom track. See figure 31.
6. Place one of the wheel mechanisms into the bottom track channel in which the panel will sit. The wheel mechanism should hook onto the lip of the bottom track. See figure 32.
7. Slightly raise the panel up and insert the wheel mechanism so it is in front of the metal plate in the cavity on the back of



the panel, then slowly lower the panel back down with the wheel mechanism in place. The bottom of the black screw should rest on top of the wheel mechanism. See figure 33.

8. Secure the wheel to the panel by reinstalling the mounting screws that were removed in Step 4. Do not tighten yet. See figure 34.
9. Repeat steps 4-8 to install the other wheel (two per panel).
10. Repeat for all panels.





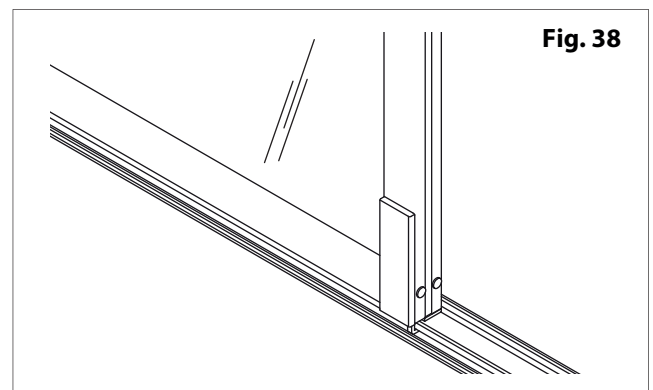
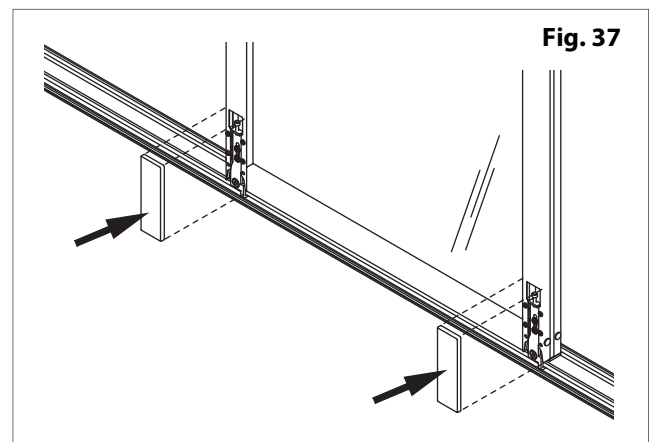
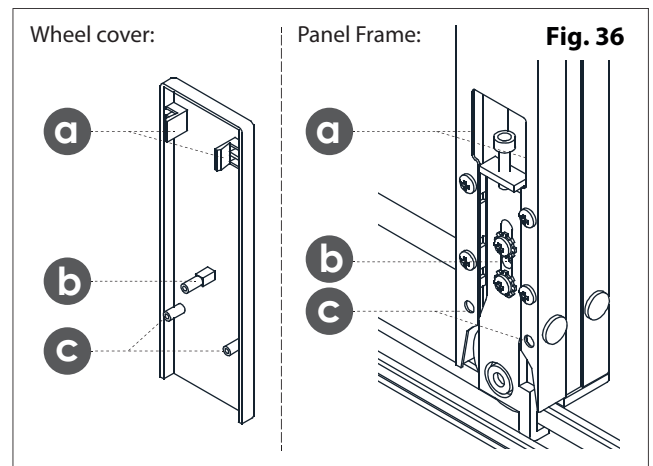
Adjusting the Doors:

If the doors do not align properly with the sides of the opening, adjust the door tilt.

1. With the provided Allen wrench, loosen or tighten the black screw located above the wheel mechanism. Loosening the screw will lower the panel, while tightening it will raise it. See Figure 35.
2. After all adjustments have been made, snugly tighten the mounting screws on each wheel.
3. Test the doors to make sure all doors easily slide.

Installing the Wheel Covers:

1. Align the pegs on the wheel cover to the holes on the door frame. See Figure 36. The letters correlate to each other.
2. Once the pegs are aligned, firmly push the wheel cover and frame together. Make sure all edges of the wheel covers are touching the door frame and there are no gaps. See Figure 37 & 38.



Each panel will include a Door Park. The door park functions to keep the doors in place should your bottom track be on a slight slope. It "parks" the doors in the closed position so they do not travel due to the slope in the floor. It is recommended to position one door park per panel in the closed position. See following page for install instructions.

Troubleshooting:

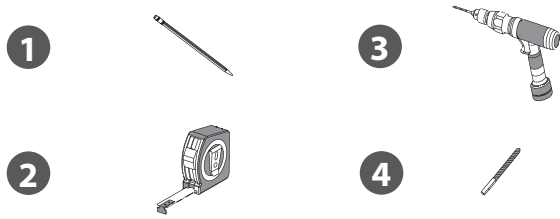
1. If doors are not sliding smoothly:
 - a. Check to see if wheels were installed properly.
 - b. Check whether wheels are rolling.
 - c. Check final adjustment for any binding.
 - d. Make sure track and wheels are free of dirt or debris.
2. If doors are making noise due to friction with track:
 - a. Check that top rollers are moving freely in the upper track.
 - b. Check that bottom rollers are moving freely on the bottom track.
 - c. Make sure that safety hook is installed in the groove correctly.

This concludes the instructions for the Sliding Room Dividers.
If your room divider system has a lock or latch, see page 10 for strike plate instructions.

Installing the Door Parks

Tools

The following tools are needed:



Legend:

- 1 Pencil
- 2 Tape Measure
- 3 Electric Drill
- 4 1/8" Drill Bit

Recommended Mounting Hardware:

METAL ATTACHMENT:
#8 x 1-1/4" Phillips Pan Head Sheet Metal Screws (provided)

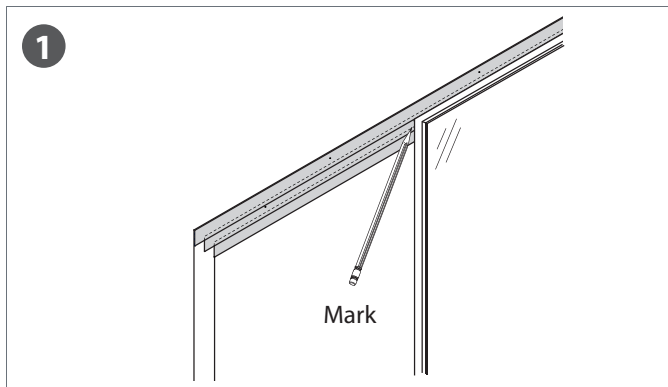
Read these instructions completely before starting.

The door parks will be located in a small box inside the larger door box. There will be 2 door parks per every panel.

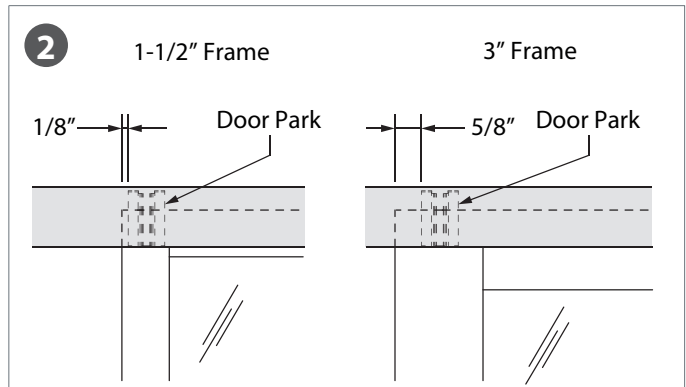
Door Parks may be used:

- A. To prevent a panel from sliding out of a desired position due to uneven flooring.
- B. To ensure that two wall slide panels are aligned in the center due to uneven flooring.

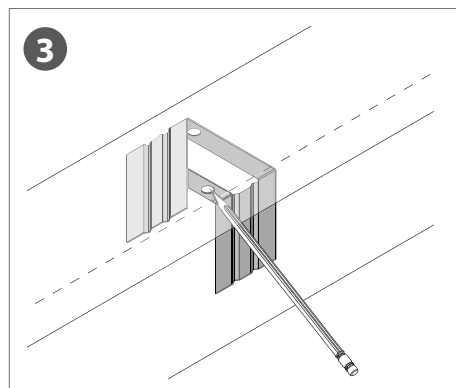
Installing the Upper Track Door Park.



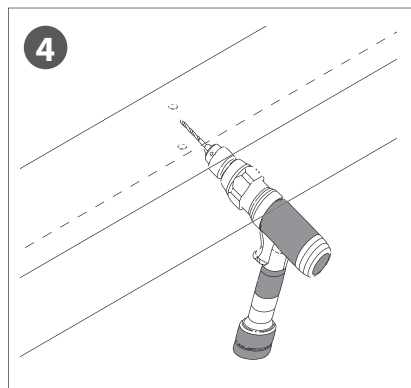
Identify the desired position of the panel. Mark the location inside the upper track with a pencil where the edge of the panel stops. Once marked, move the panel out of the way.



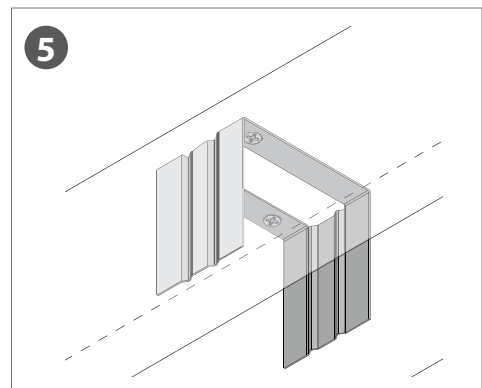
Insert the door park into the upper track. For 1-1/2" frame position the door park 1/8" from the pencil mark, for 3" frame position the door park 5/8" from the pencil mark.



Mark the two hole locations with a pencil.



Once marked, pre-drill pilot holes with a 1/8" drill bit.



Use the provided screws to secure the door park into place. Repeat for remaining door parks.

Troubleshooting:

- 1. If doors are not sliding smoothly and silently past the door park, remove it, bend the prongs out slightly and then re-install the door park.

This concludes the instructions for the Upper Track Door Park.