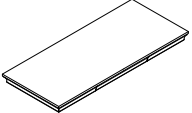
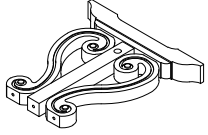
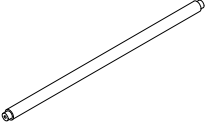
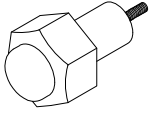
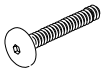



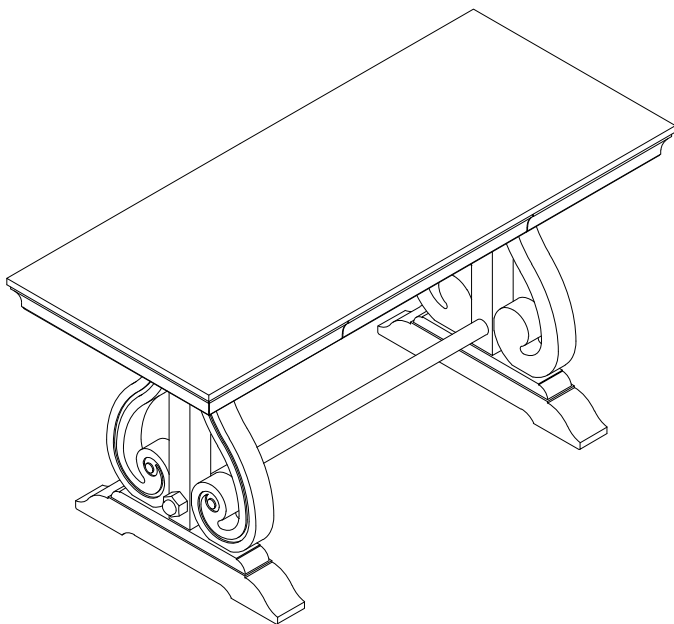


ASSEMBLY INSTRUCTIONS

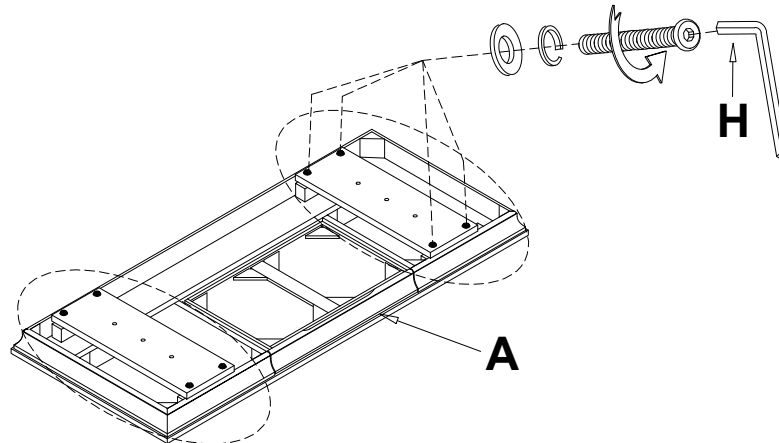
1-DRAWER WRITING DESK

A Table Top	B Leg	C Stretcher	D Trim
			
1 pc	2 pcs	1 pc	2 pcs
E Bolt 1/4"-20 x 2"	F Lock Washer 1/4"	G Flat Washer 1/4"	H Allen Wrench M4x7/8" x 2-1/4"
			
6 pcs	6 pcs	6 pcs	1 pc

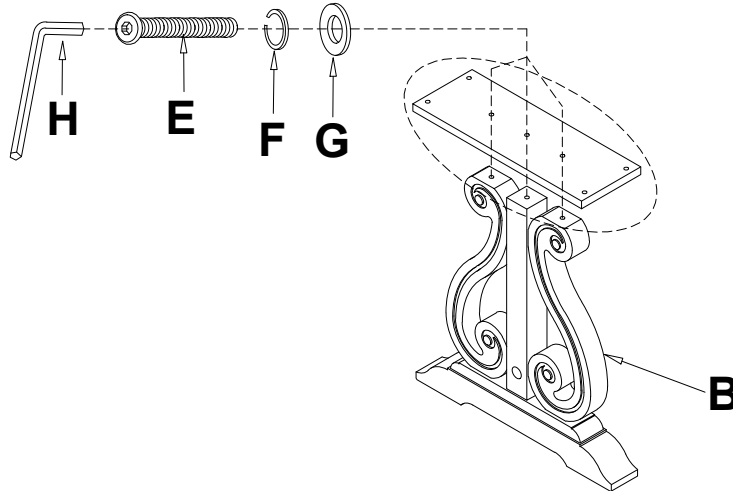


This page lists all the contents included in the box. Please take the time to identify the hardware as well as the individual components to this product. As you unpack and prepare for assembly, place the contents on a carpeted or padded area to protect them from damage.

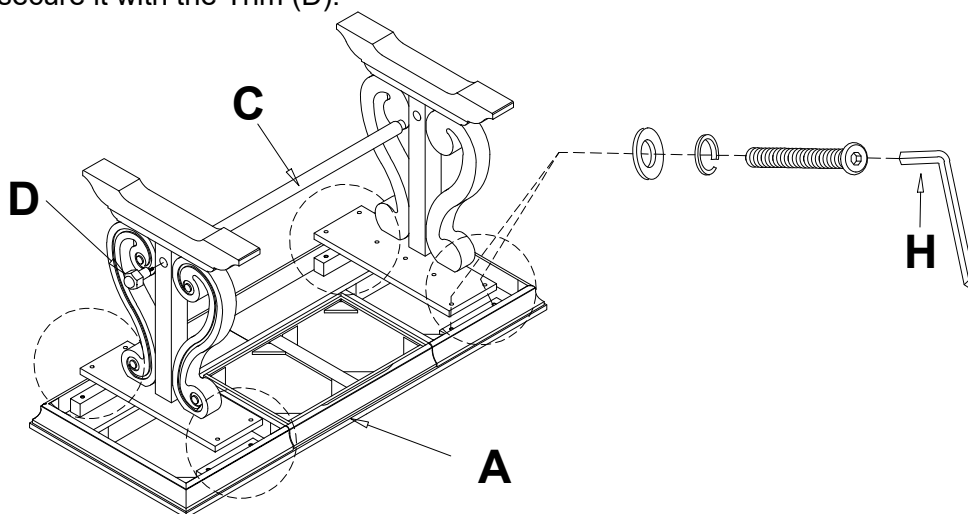
- 1** Place the Table Top (A) upside down on a smooth, carpeted surface. Remove the Mounting Plates from the Table Top (A) with the Allen Wrench (H). Keep the Bolts, Lock Washers and Flat Washers for use in Step 3.



- 2** Attach the Mounting Plate on the Leg (B) using Bolt (E), Lock Washer (F) and Flat Washer (G) with the Allen Wrench (H).



- 3** Attach the Mounting Plates to the underside of the Table Top (A) using the Bolts, Lock Washers and Flat Washers removed in Step 1, with the Allen Wrench (H). Then, place the Stretcher (C) between the Leg (B) and secure it with the Trim (D).



Cleaning & Care

Treat surfaces with care. Surfaces are resistant to scratches but are not scratch resistant. Clean surfaces with a dry or damp soft cloth. Do not use abrasive cleaners. Hardware may loosen over time. Periodically check that all connections are tight.