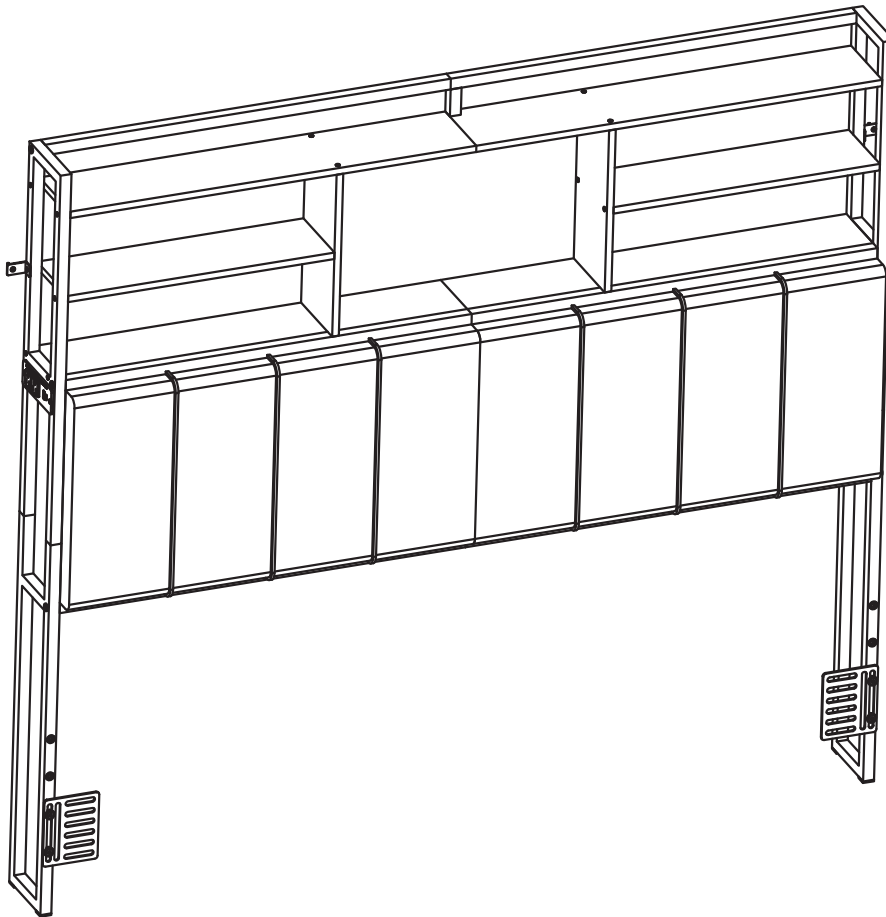
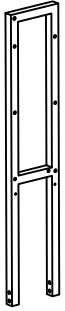
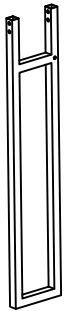
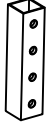


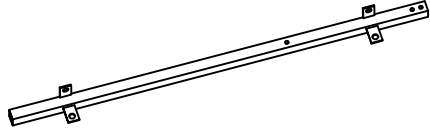



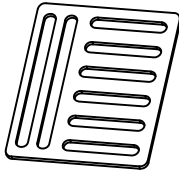
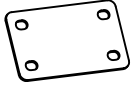
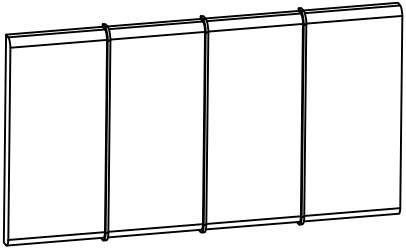

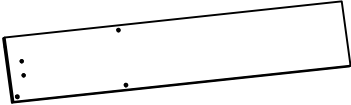
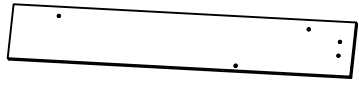


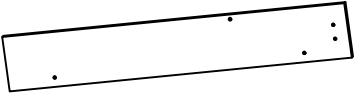
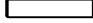
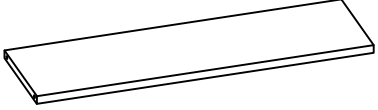
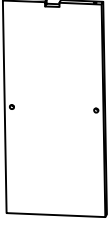
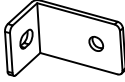

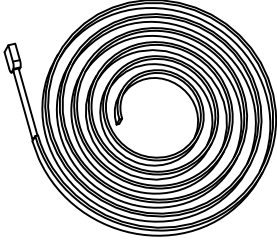
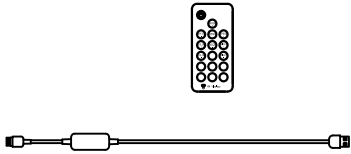







# Owner Manual


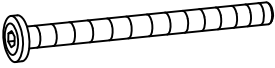
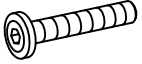


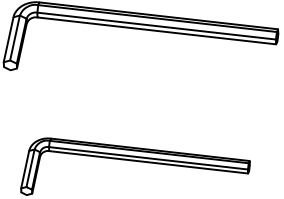


# Parts List:

<p>A</p>  <p>2pcs</p>	<p>B</p>  <p>2pcs</p>	<p>C</p>  <p>7pcs</p>
<p>D</p>  <p>2pcs</p>	<p>E</p>  <p>1pcs</p>	<p>F</p>  <p>1pcs</p>
<p>G</p>  <p>1pcs</p>	<p>H</p>  <p>1pcs</p>	<p>I</p>  <p>1pcs</p>
<p>J</p>  <p>2pcs</p>	<p>K</p>  <p>2pcs</p>	<p>L</p>  <p>2pcs</p>
<p>M</p>  <p>1pcs</p>	<p>N</p>  <p>1pcs</p>	<p>O</p>  <p>1pcs</p>

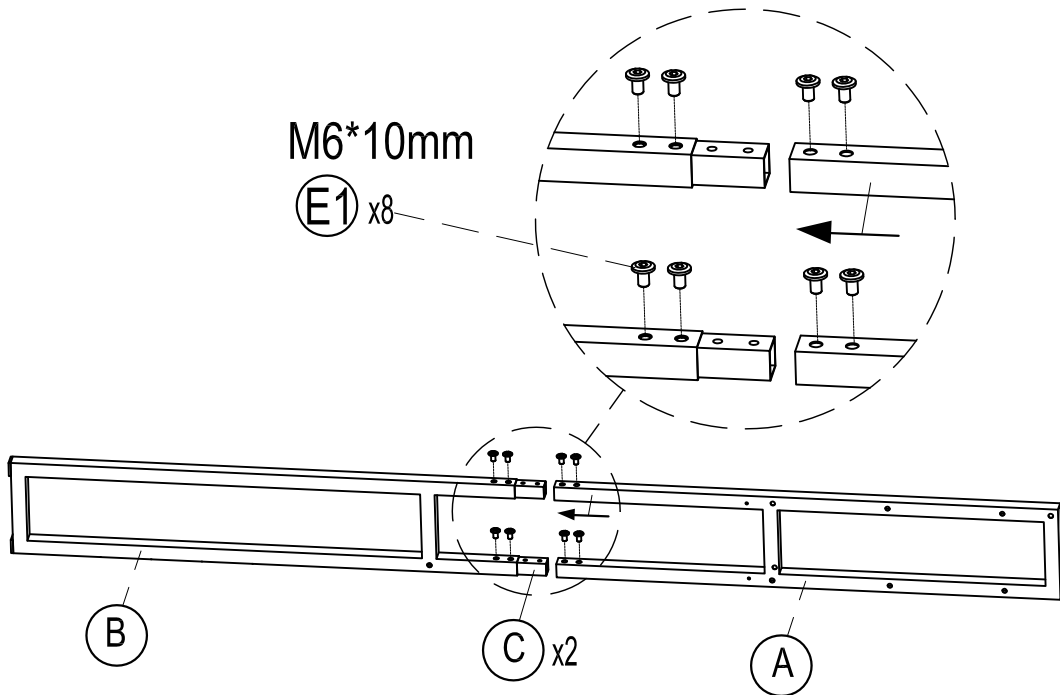
# Parts List:

<p>P 1pcs</p> 	<p>Q 4pcs</p> 	<p>R 2pcs</p> 
<p>S 2pcs</p> 	<p>T 2pcs</p> 	<p>U 1pcs</p> 
<p>V X1</p> 	<p>W X1</p> 	<p>X 1pcs</p> 
<p>Y 8pcs</p> 	<p>Z 18pcs</p>  <p>M2.6*10mm</p>	<p>A1 2pcs</p>  <p>M4*10mm</p>
<p>B1 14pcs</p>  <p>M5*35mm</p>	<p>C1 10pcs</p>  <p>M5*25mm</p>	<p>D1 2pcs</p>  <p>M4*30mm</p>

<p>E1 39pcs</p>  <p>M6*10mm</p>	<p>F1 1pcs</p>  <p>M6*75mm</p>	<p>G1 6pcs</p>  <p>M6*35mm</p>
<p>H1 4pcs</p>  <p>M8*15mm</p>	<p>I1 8pcs</p>  <p>M6*12mm</p>	<p>J1 1pcs</p> 

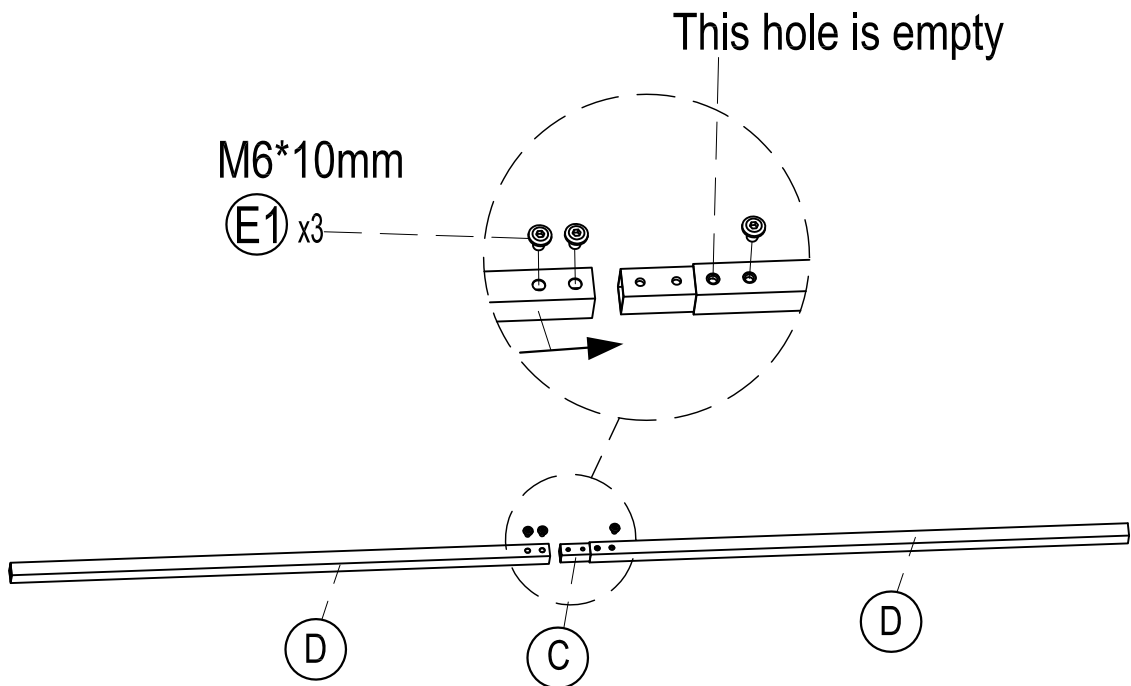
# ASSEMBLY

## STEP 1

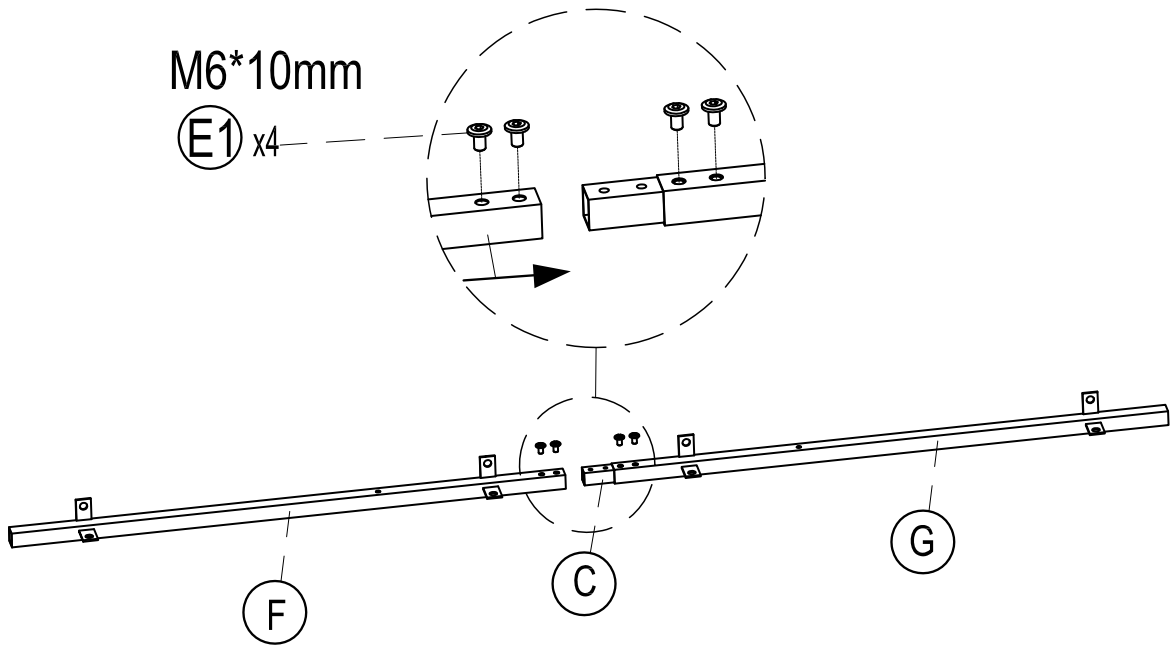


2 PCS

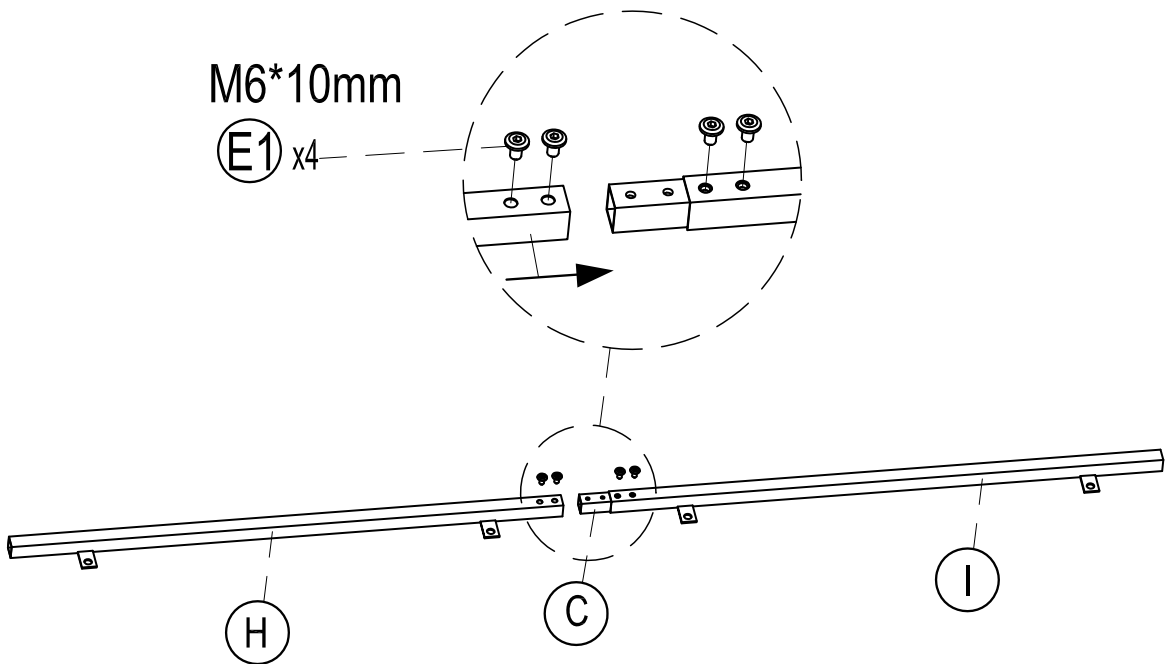
## STEP 2



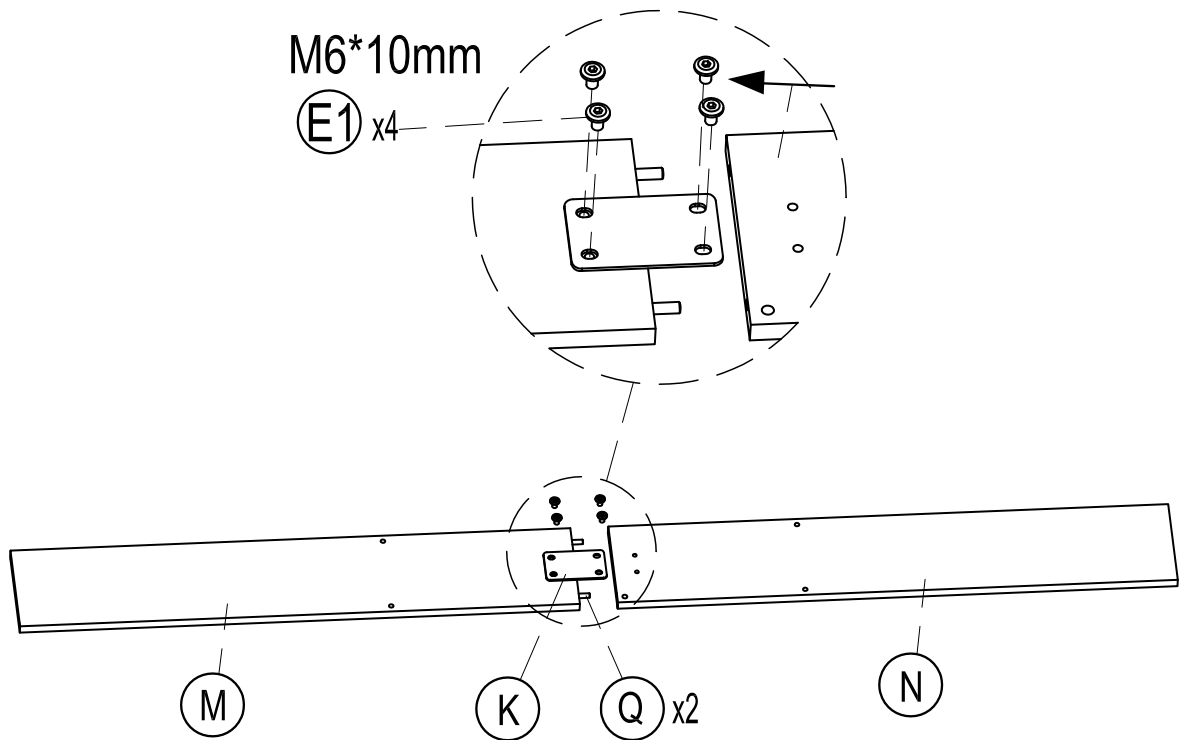
# STEP 3



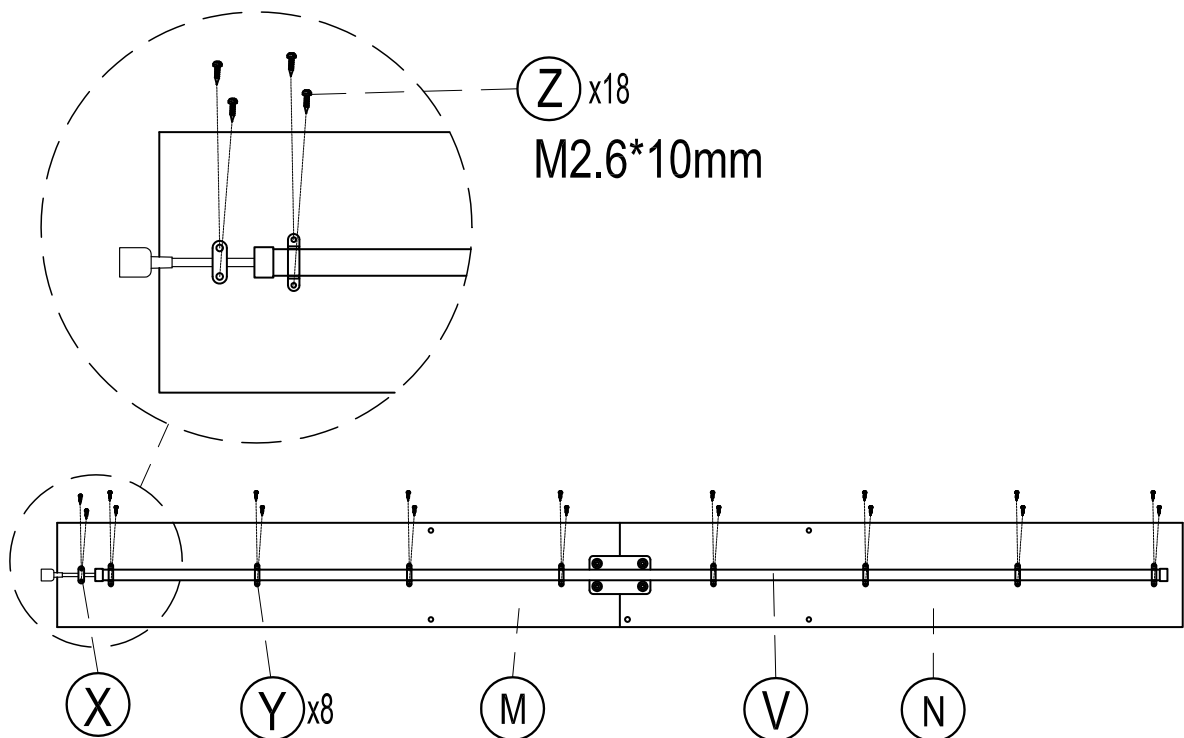
# STEP 4



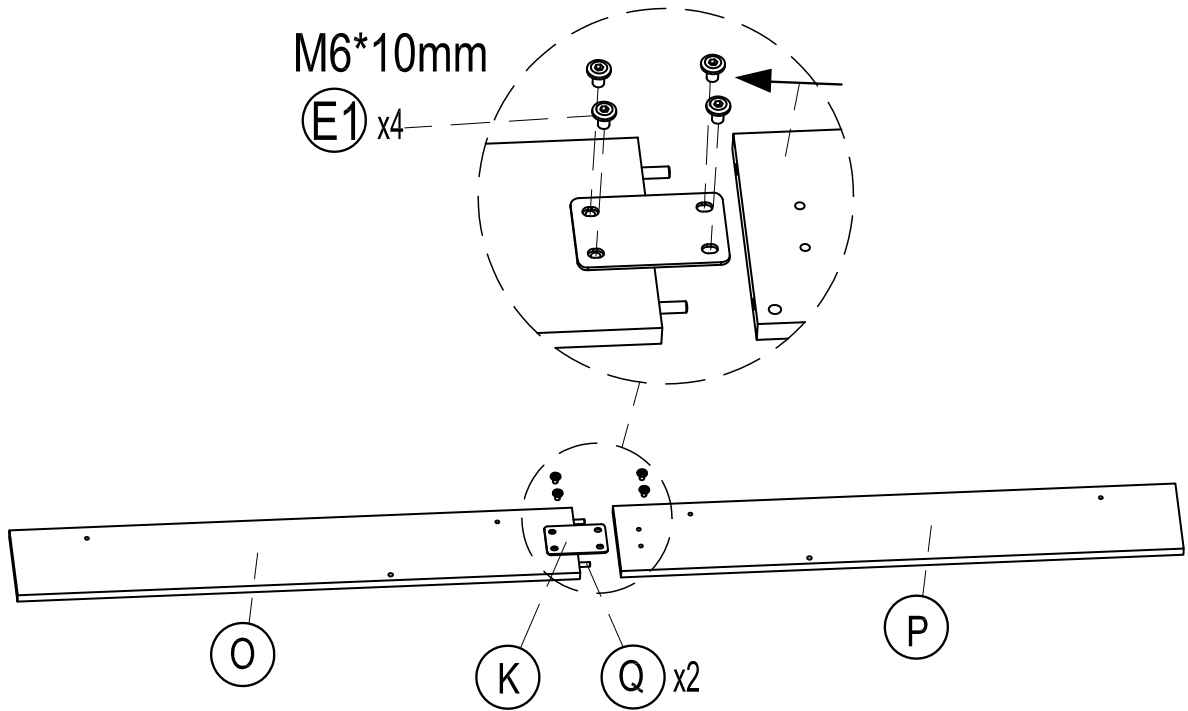
# STEP 5



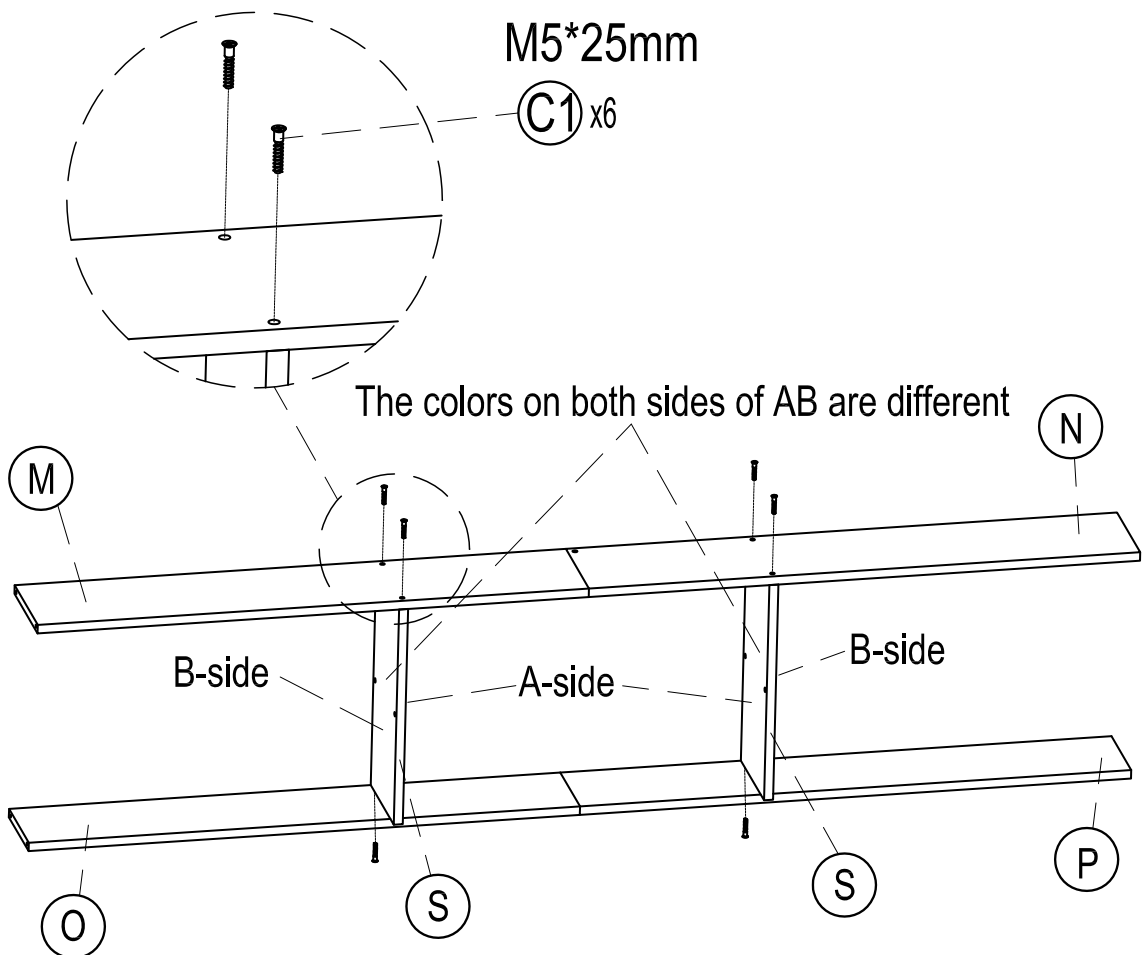
# STEP 6



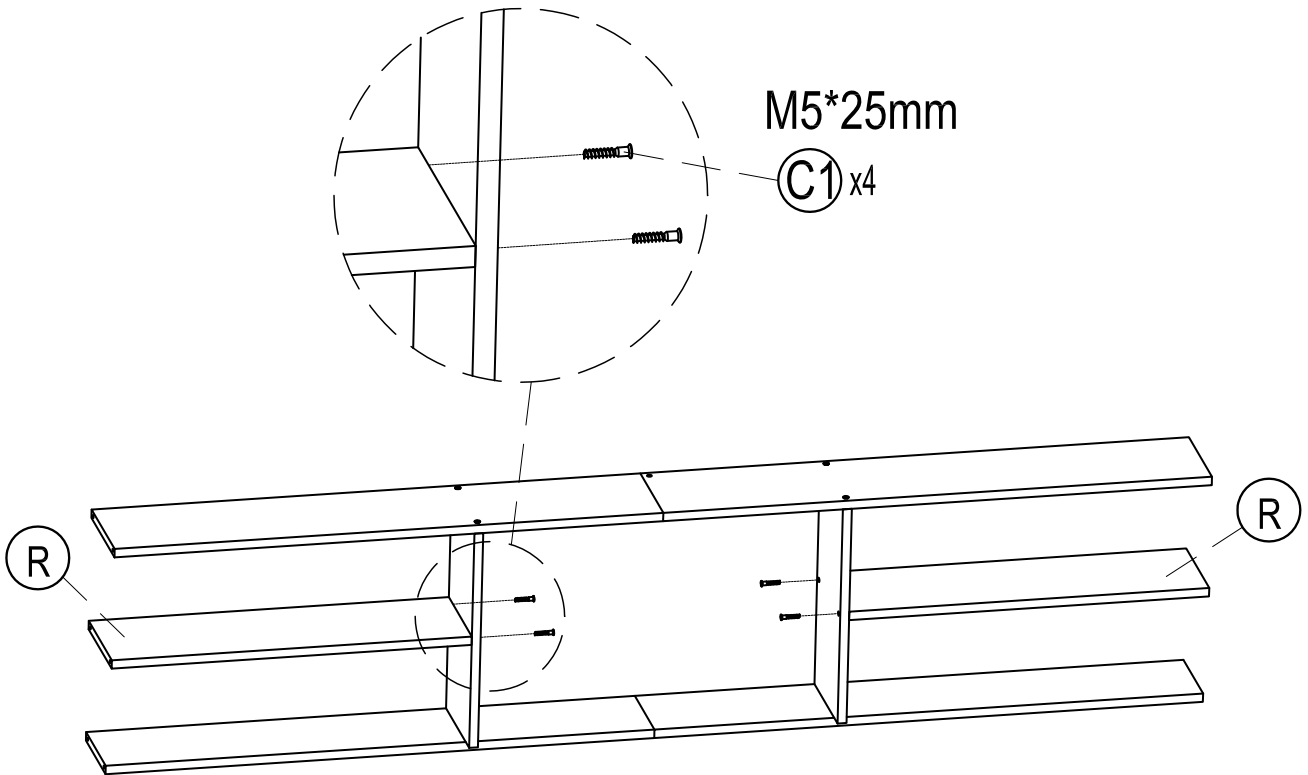
# STEP 7



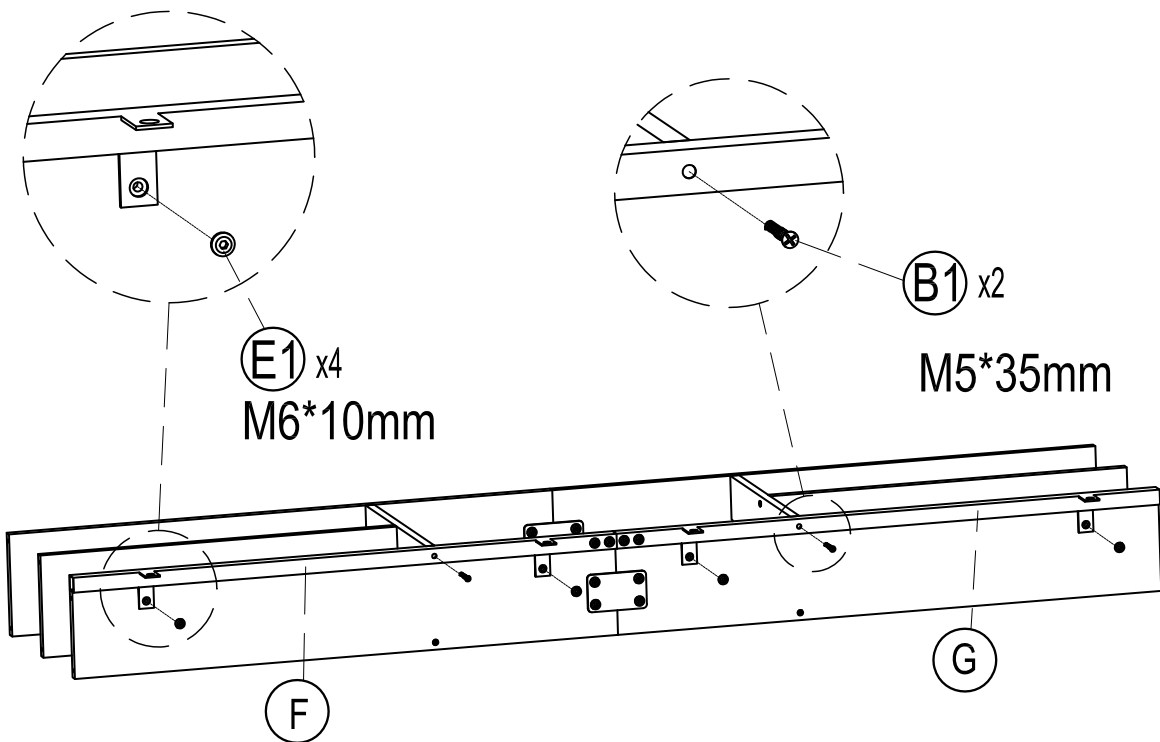
# STEP 8



# STEP 9



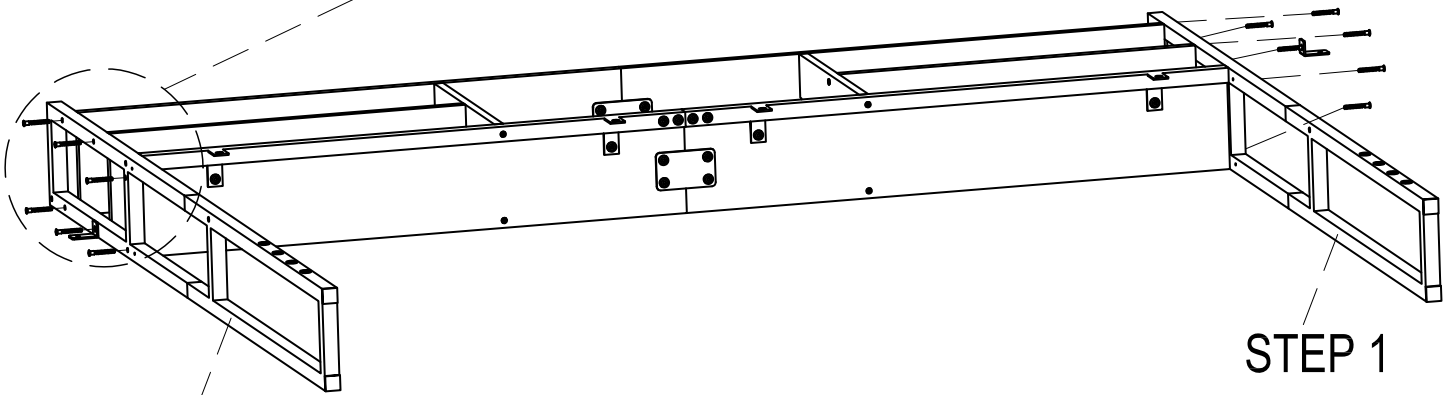
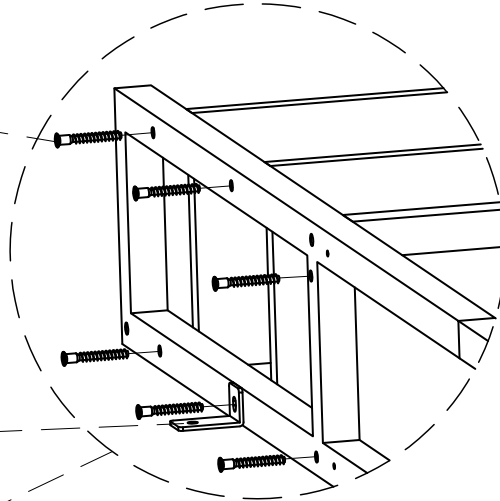
# STEP 10



# STEP 11

(B1) x12  
M5\*35mm

(T) x2



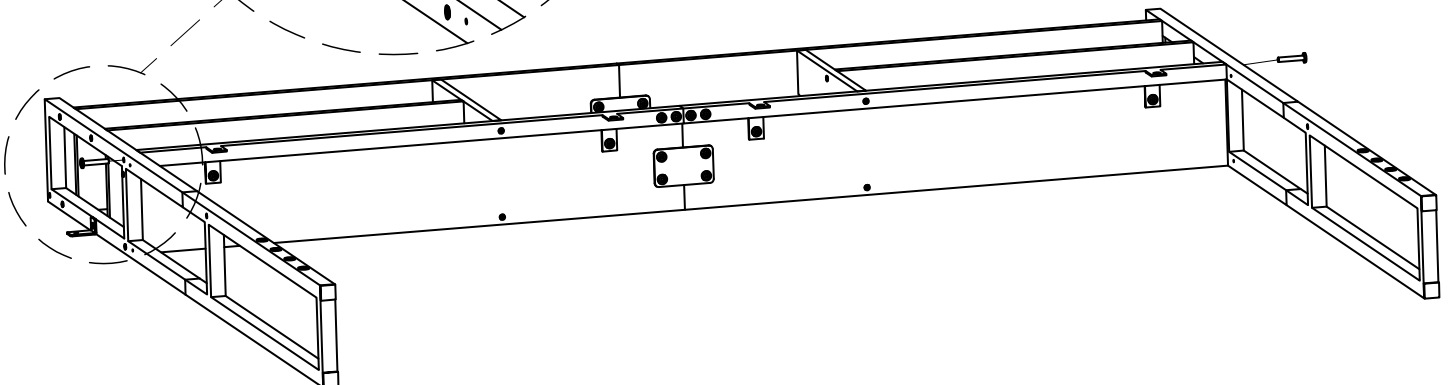
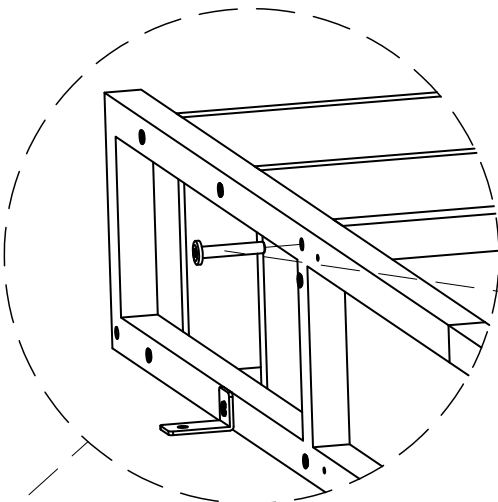
STEP 1

STEP 1

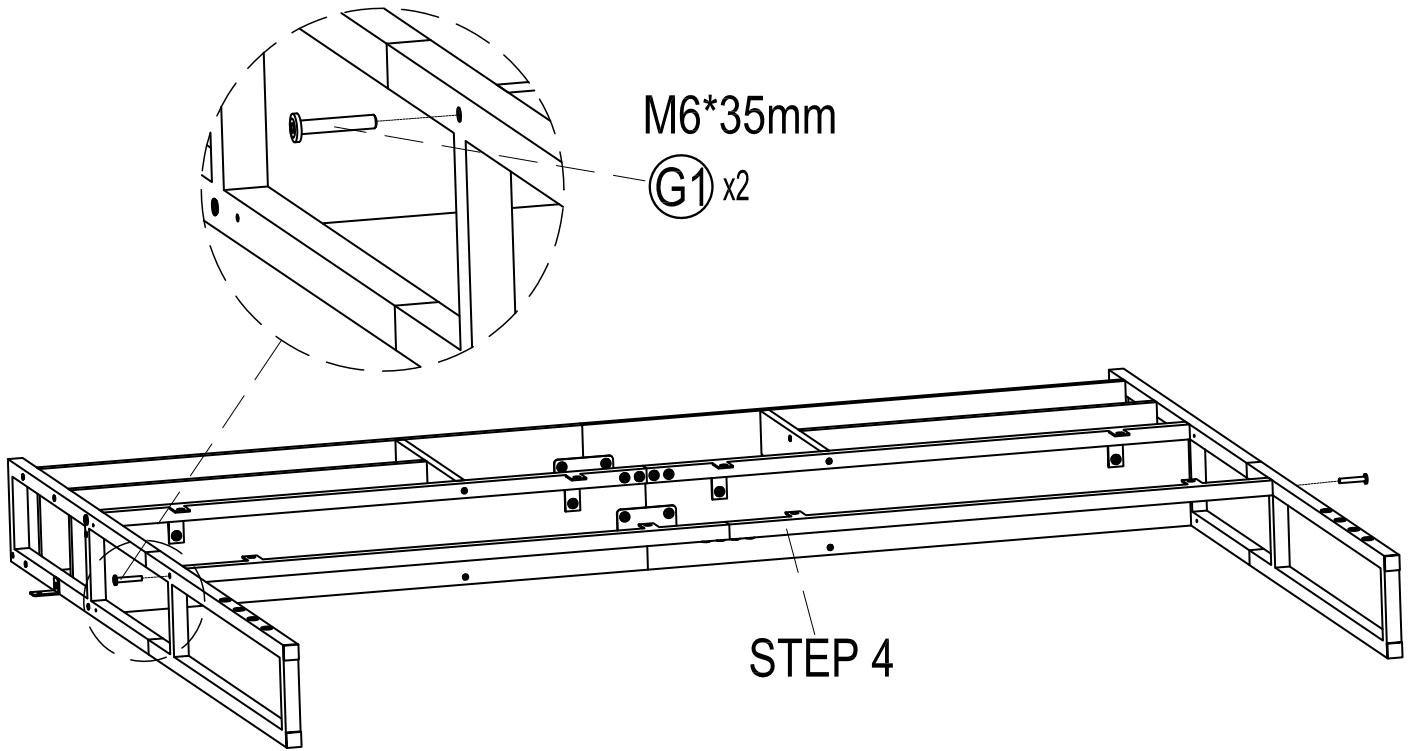
# STEP 12

M6\*35mm

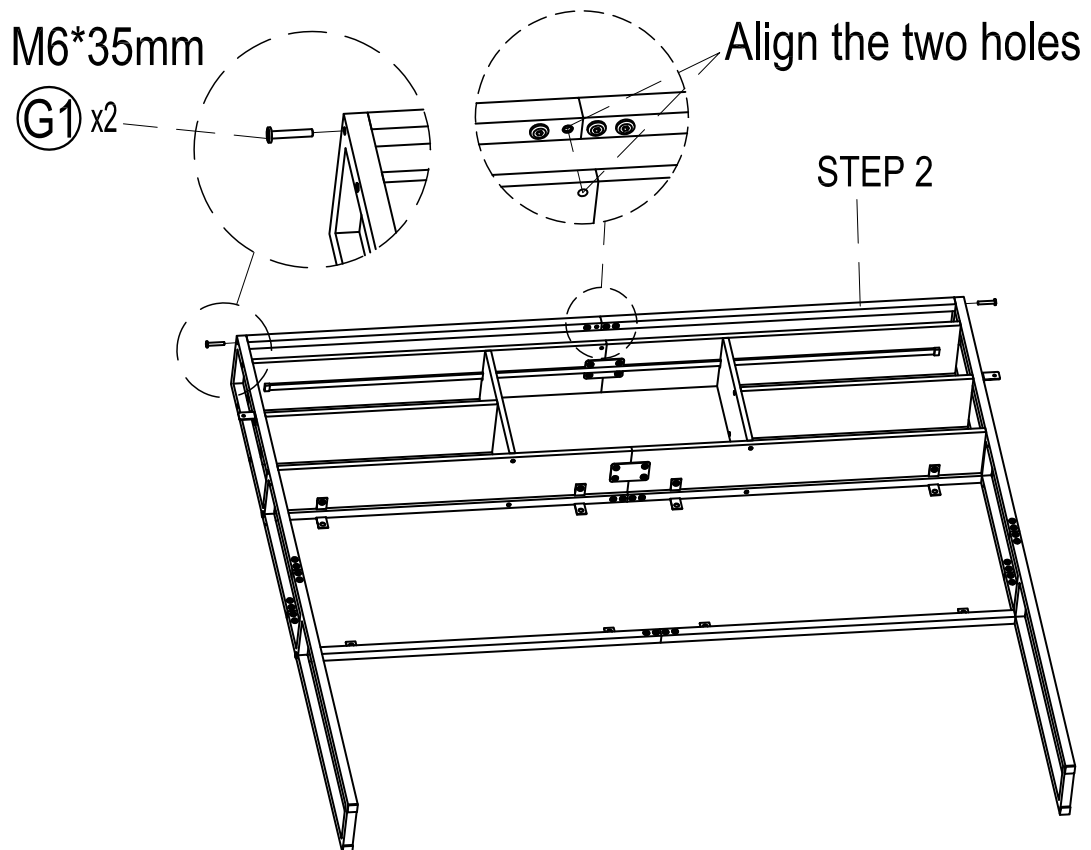
(G1) x2



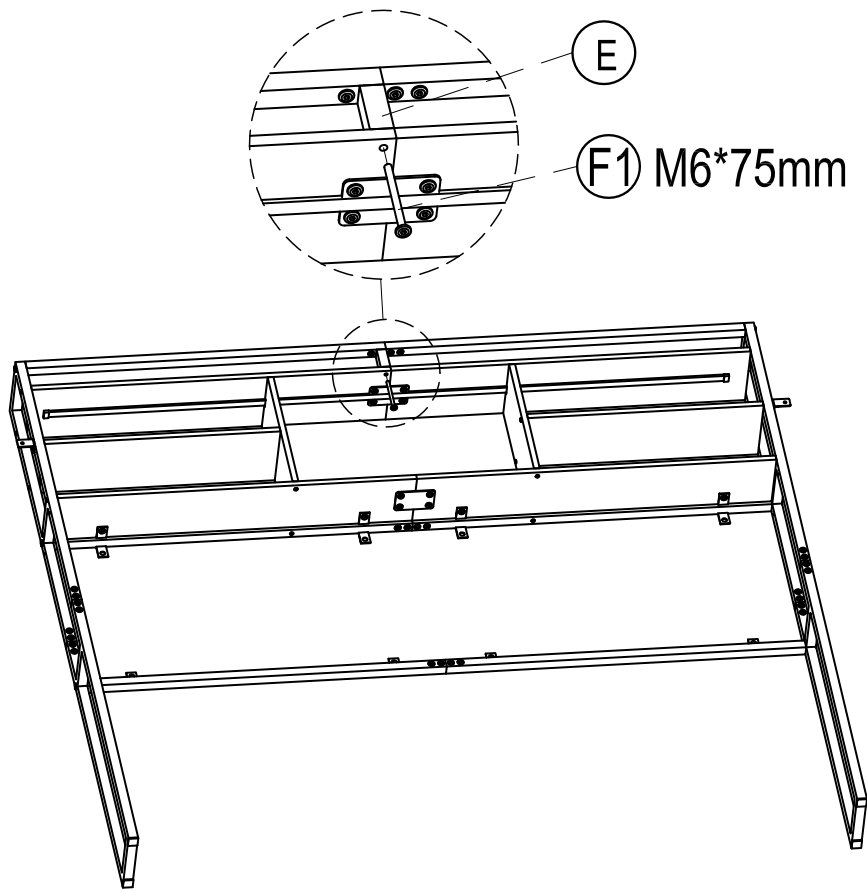
# STEP 13



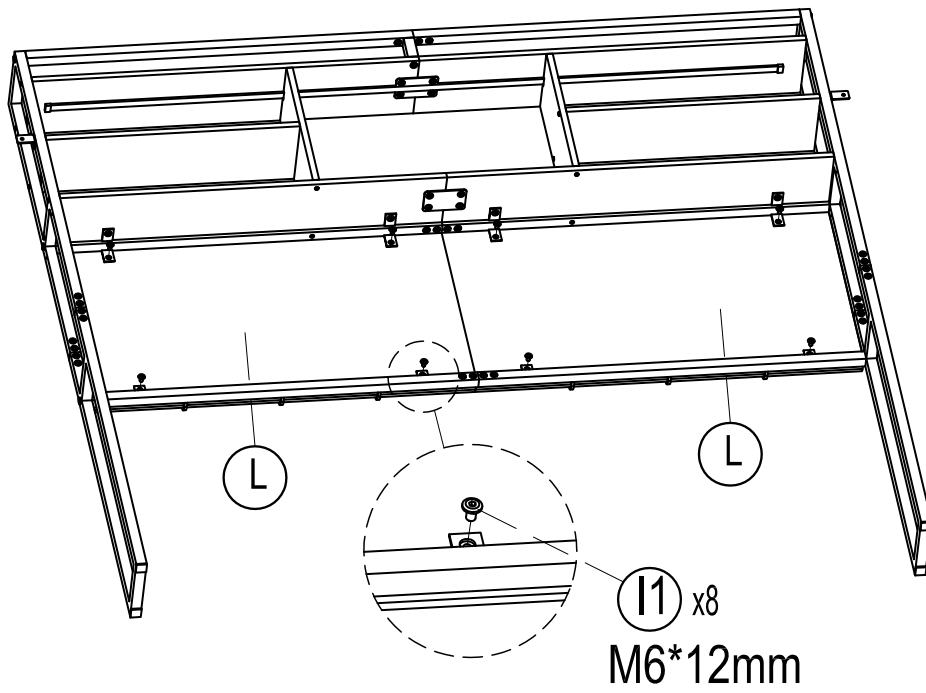
# STEP 14



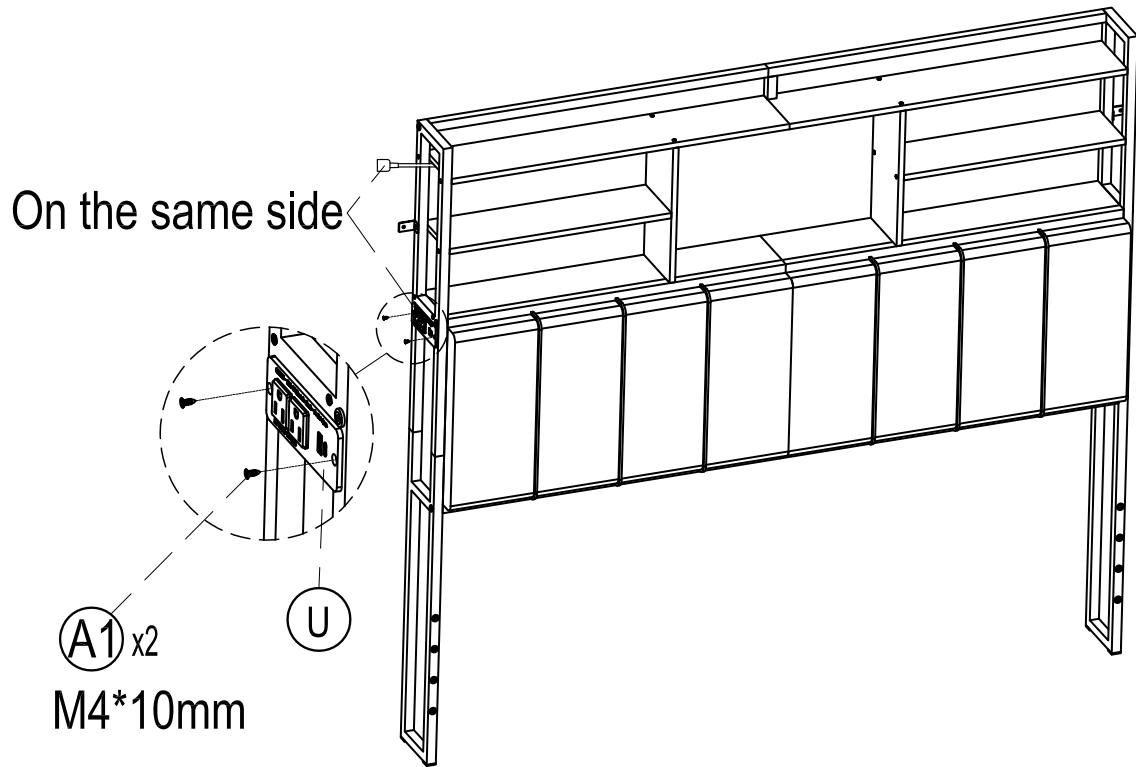
# STEP 15



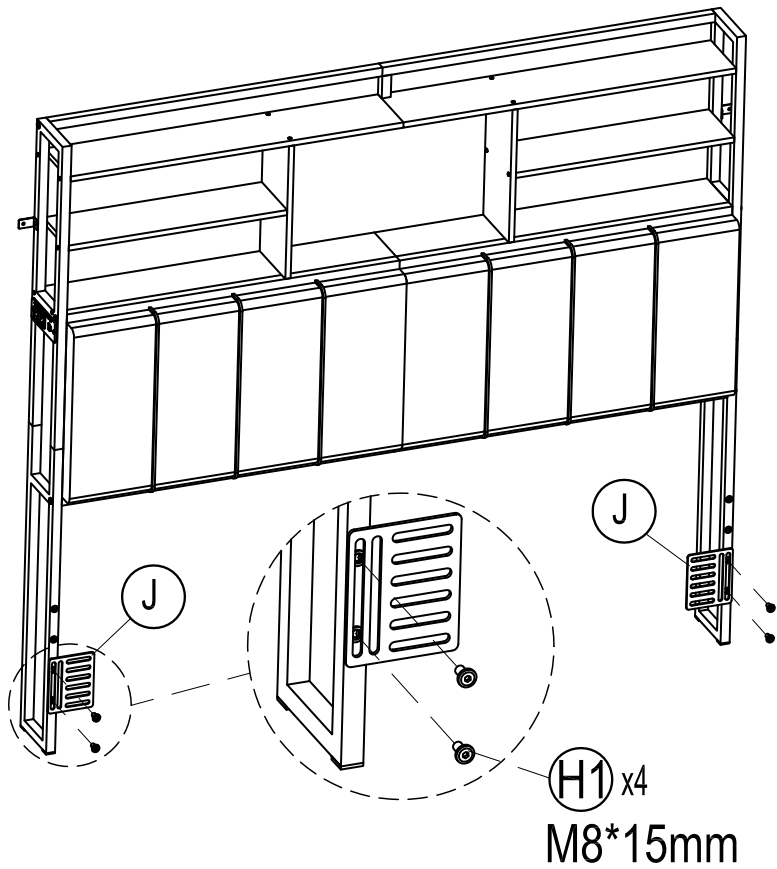
# STEP 16



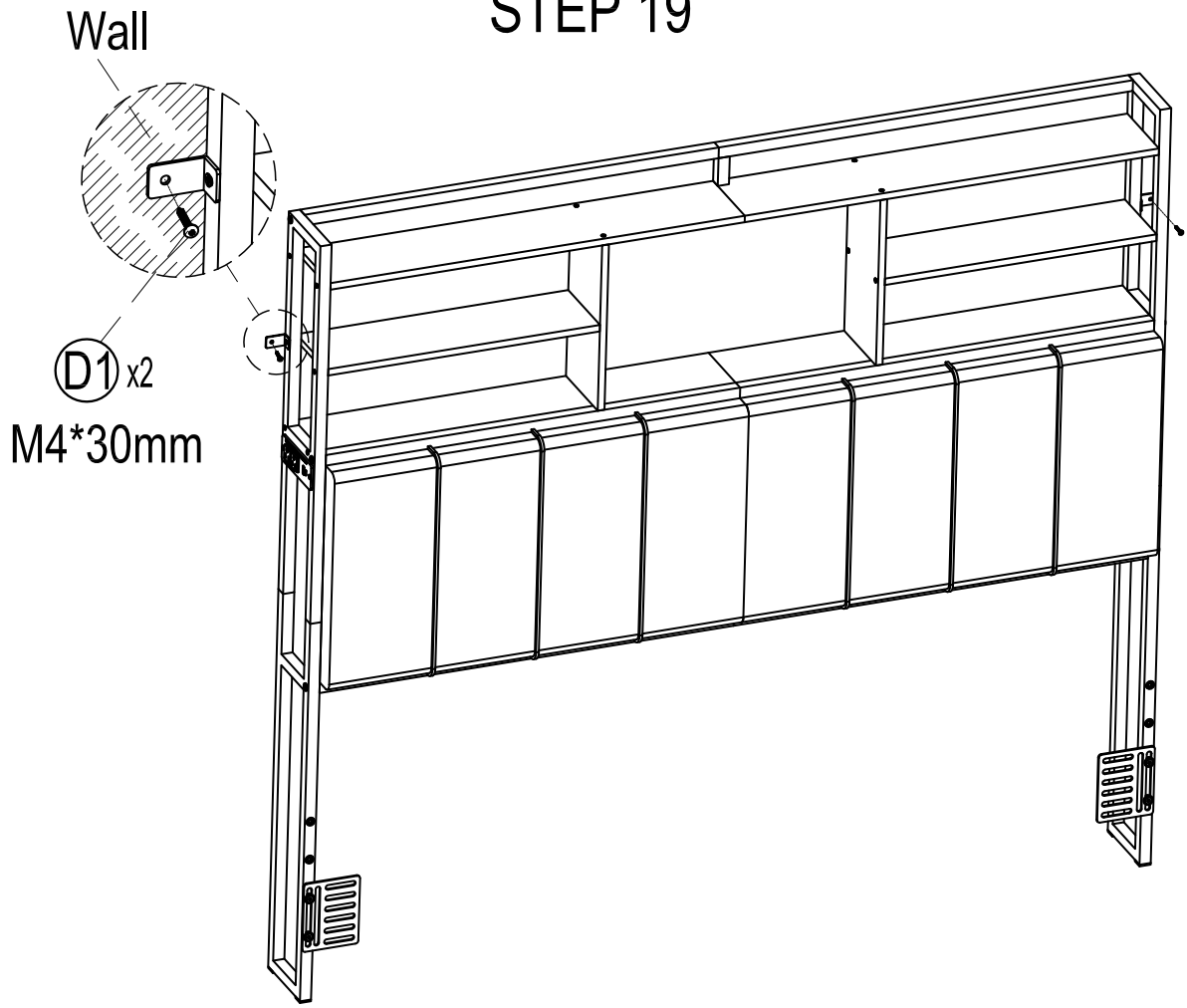
# STEP 17



# STEP 18

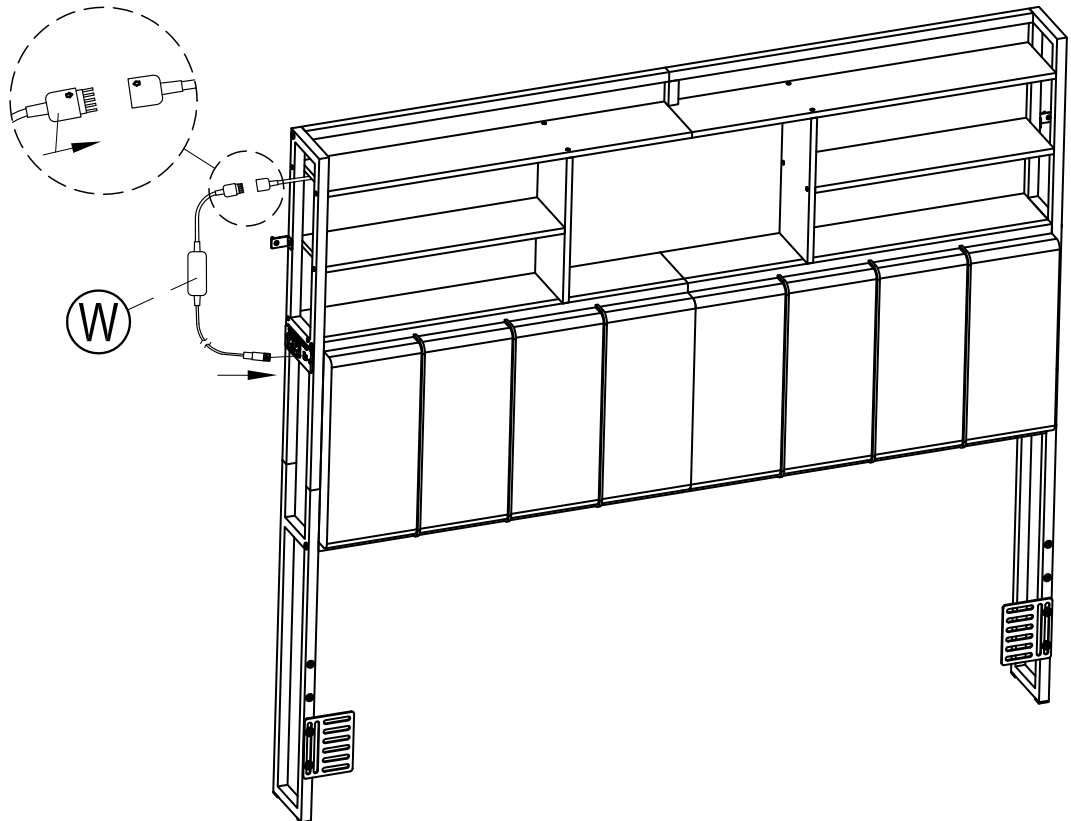


# STEP 19

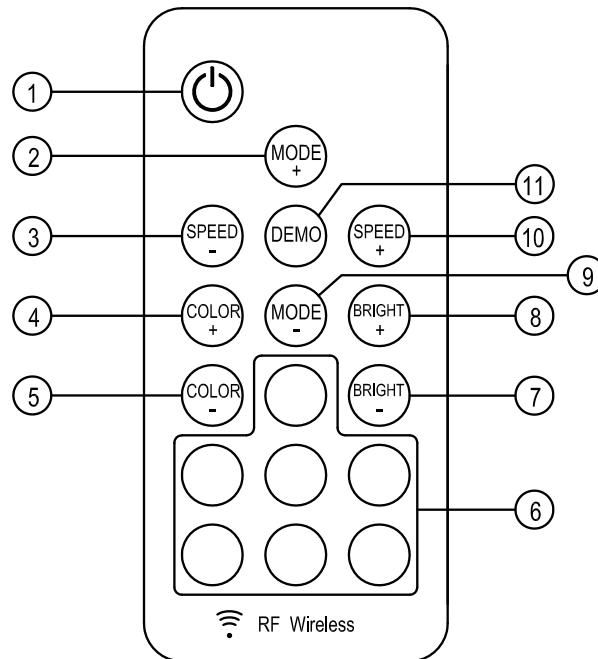


# STEP 20

Connect the Connector



# RGB LED CONTROLLER



## 1. Turn on / Standby

Press this key to turn on unit or switch to standby mode. At power on, unit will automatically turn on and restore to previous status.

## 2/9. Dynamic Mode Adjust

Switch to dynamic mode from static color, or switch between dynamic modes.

## 3/10. Dynamic Speed Adjust

Adjust dynamic playing speed. Press SPEED + to increase speed and press SPEED - to decrease. Unit will switch to dynamic mode if press this key at static color mode.

## 4/5. Static Color Adjust

Switch to static color mode from dynamic mode, or switch between static colors.

## 6. Direct Color Select

Shortcut key to static colors. When press the specific color key, LED will play the same static color. The direct colors are included in 'COLOR +' and 'COLOR -' operation.

## 7/8. Brightness Adjust

Adjust static color brightness. Press BRIGHGT + to increase brightness and press BRIGHGT - to decrease. Unit will switch to static color mode if press this key at dynamic mode.

## 11. Demo Mode

Press this key will switch to Demo mode. At demo mode, it plays 17 dynamic modes in loop, each mode repeat 3 times.