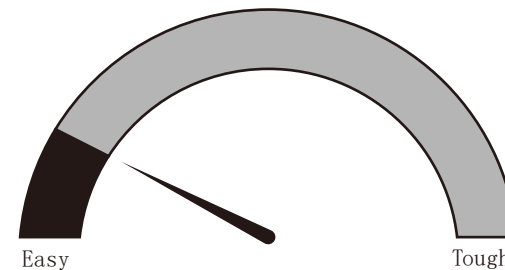


THIS INSTRUCTION BOOKLET CONTAINS IMPORTANT SAFETY INFORMATION. PLEASE READ AND KEEP FOR FUTURE REFERENCE.



## **WARNING**

- Unit can tip over causing severe injury or death.
- Anchor unit to stud in wall (if instructed to).
- Do Not allow children to climb on unit.
- Put heavy items on lower shelves or drawers.

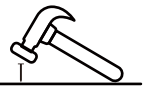
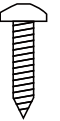


Assembly Difficulty Meter

# Helpful Hints

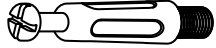

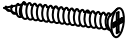

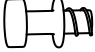


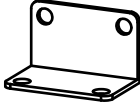
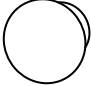

PEOPLE NEEDED FOR ASSEMBLY: 1 - 2  
ESTIMATED ASSEMBLY TIME: 1 HOUR

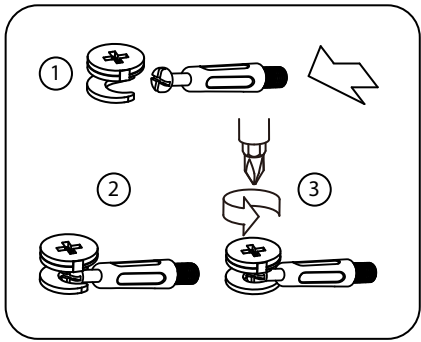
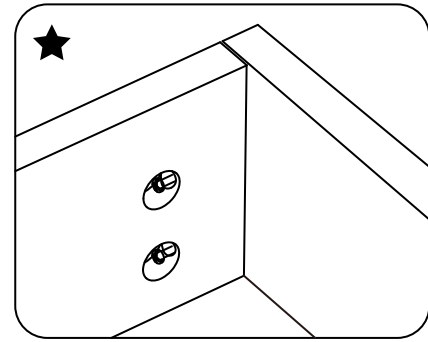
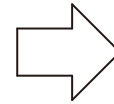
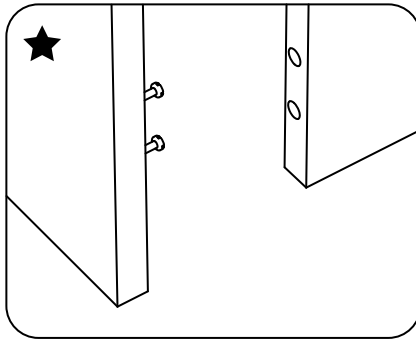
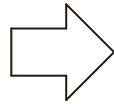
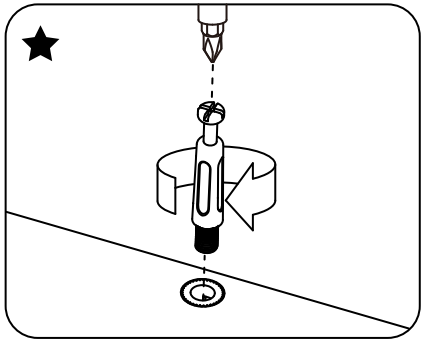
- Open your item in the area you plan to keep it to avoid excessive heavy lifting.
- Identify, sort and count the parts before attempting assembly.
- Compression dowels are lightly tapped in with a hammer.
- Slides are labeled with a R (right) and L (left) for proper placement.
- Make sure to always face the point on the top of the Cam Lock towards the outer edge.
- Use all the nails provided for the back panel and spread them out equally.
- Back panel must be used to make sure your unit is sturdy.
- Do NOT use harsh chemicals or abrasive cleaners on this item.
- Never push, pull, or drag your furniture.



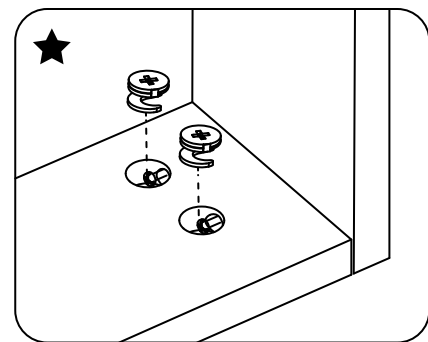
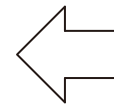
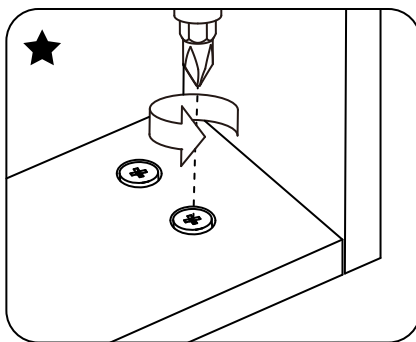
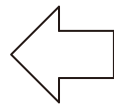
# Before You Start

- ✓ — Read through each step carefully and follow the proper order
- ✓ — Separate and count all your parts and hardware
- ✓ — Give yourself enough room for the assembly process
- ✓ — Have the following tools: Hammer
- ✓ — Caution: If using a power drill or power screwdriver for screwing, please be aware to slow down and stop when screw is tight. Failure to do so may result in stripping the screw.

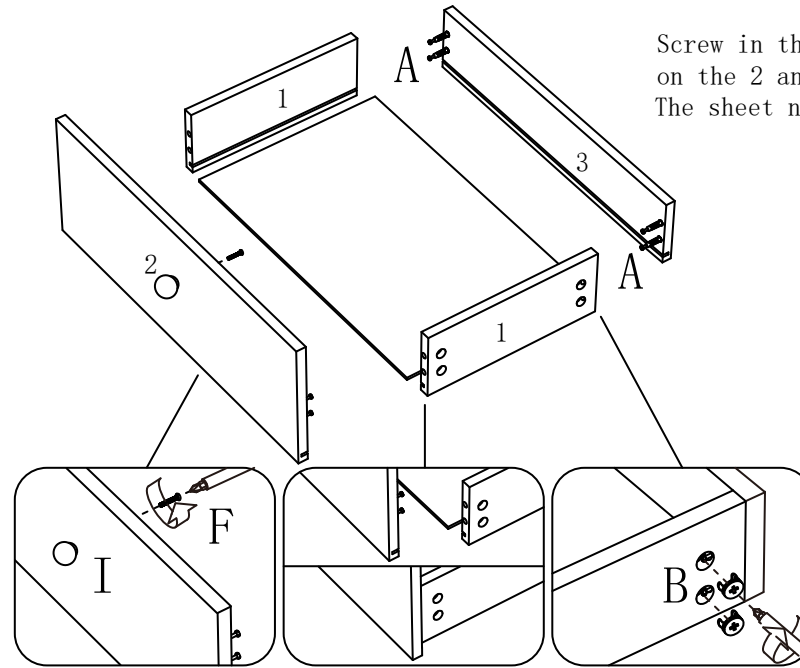
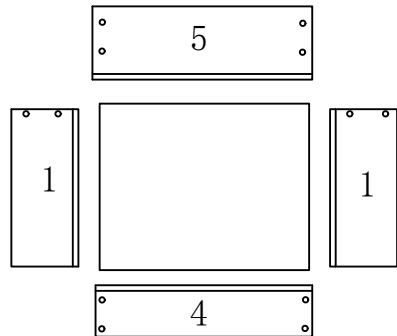
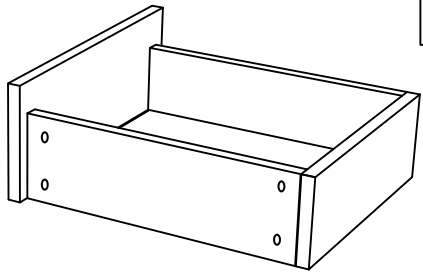
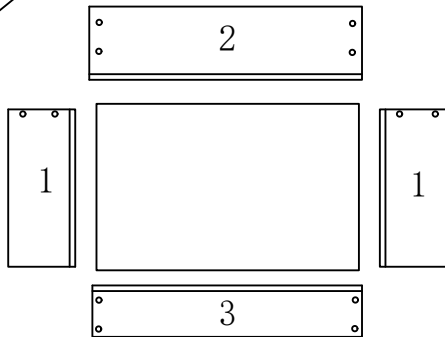
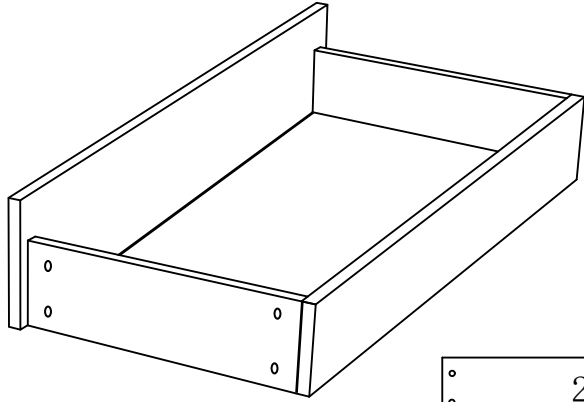
<p><b>A</b></p>  <p>Quickfit Screw 77 PCS</p>	<p><b>B</b></p>  <p>Camlock 77 PCS</p>	<p><b>C</b></p>  <p>Long screw 24 PCS</p>	<p><b>D</b></p>  <p>Long screw nut 24 PCS</p>	<p><b>E</b></p>  <p>Drawer limit screw 10 PCS</p>
<p><b>F</b></p>  <p>Handle screw 5 PCS</p>	<p><b>G</b></p>  <p>Small screw 8 PCS</p>	<p><b>H</b></p>  <p>2 PCS</p>	<p><b>I</b></p>  <p>Drawer handle 5 PCS</p>	<p><b>J</b></p>  <p>Screw of the mirror 3 PCS</p>



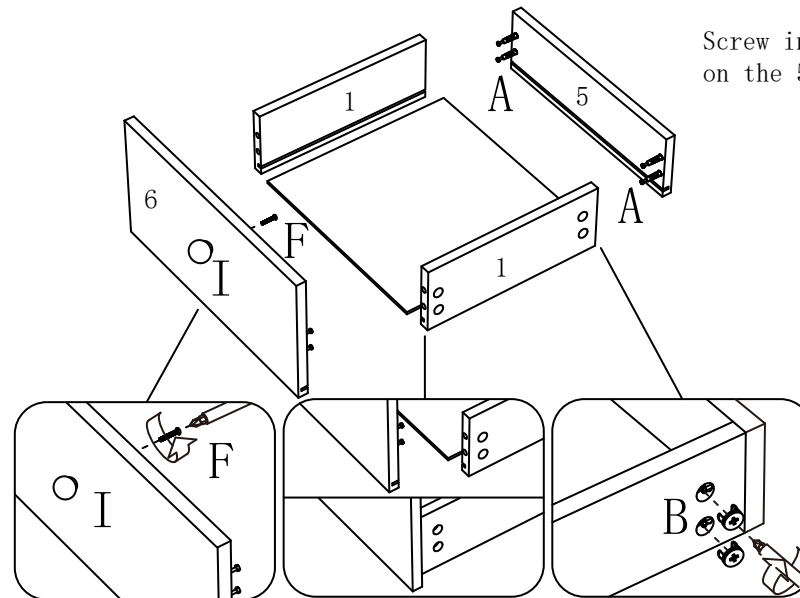
Parts assembly diagram






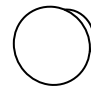
First install the drawer .



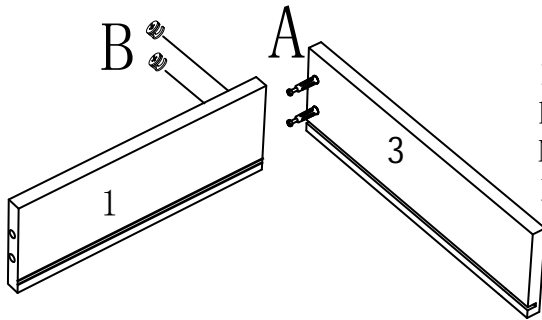
Screw in the eccentric screw  
on the 2 and 3 plates first  
The sheet needs to be aligned with the slot



Screw in the eccentric screw  
on the 5 and 6 plates first

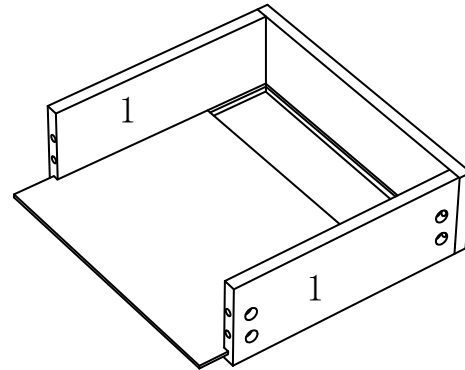
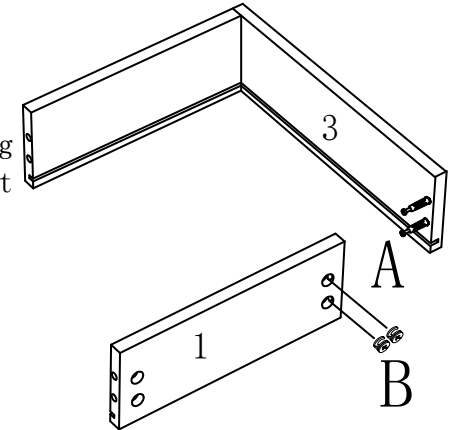
<p>A</p>  <p>40PCS</p>	<p>B</p>  <p>40PCS</p>	<p>F</p>  <p>5 PCS</p>	<p>I</p>  <p>5 PCS</p>
---	---	--	---

The installation steps of other drawers are the same

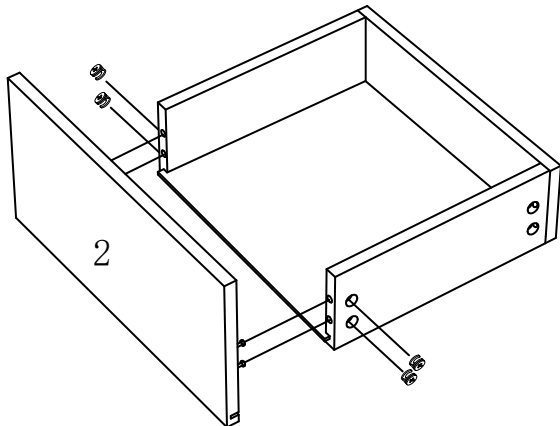


1. Screw A into the corresponding hole of No. 4 plate, then insert No. 1 plate into A, and finally lock A with B

2. Screw A into the corresponding hole of No. 2 plate, then insert No. 1 plate into A, and finally lock A with B

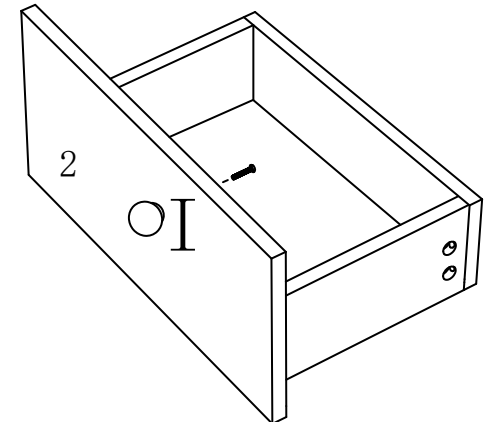


3. Align the sheet with the slot of plate 1 and push it forward

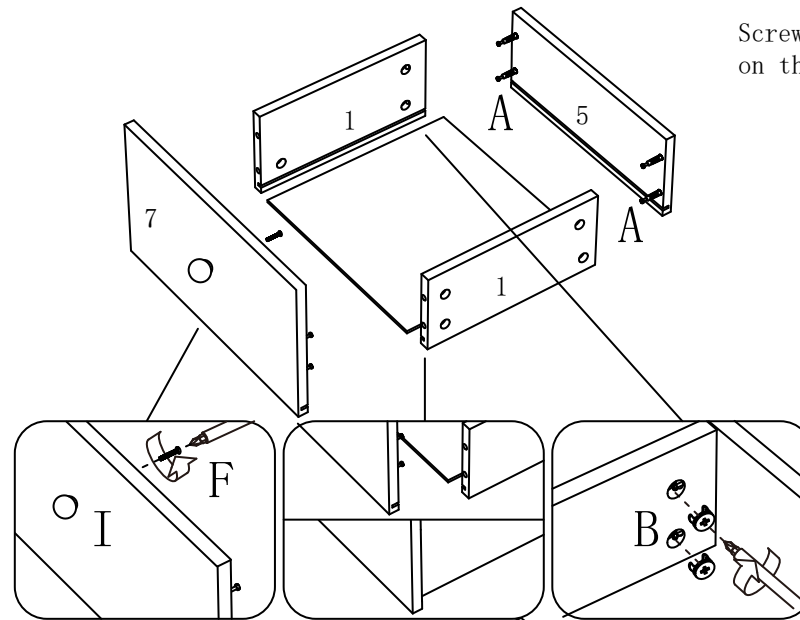
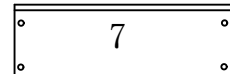
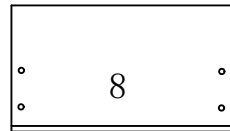
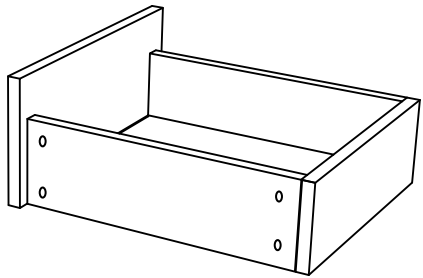
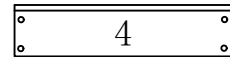
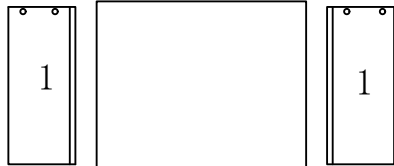
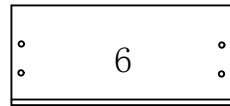
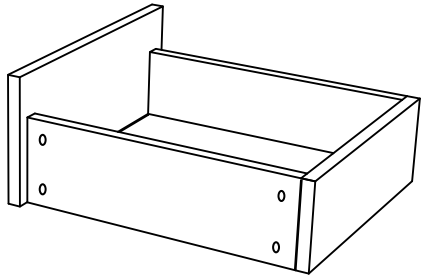


4. Screw A into the corresponding hole of No. 2 plate, then connect No. 2 plate with the previously installed part, and finally lock A with B for fixation

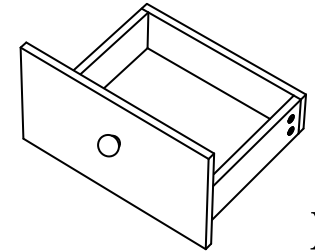
5. Fix I in front of plate 2 with F



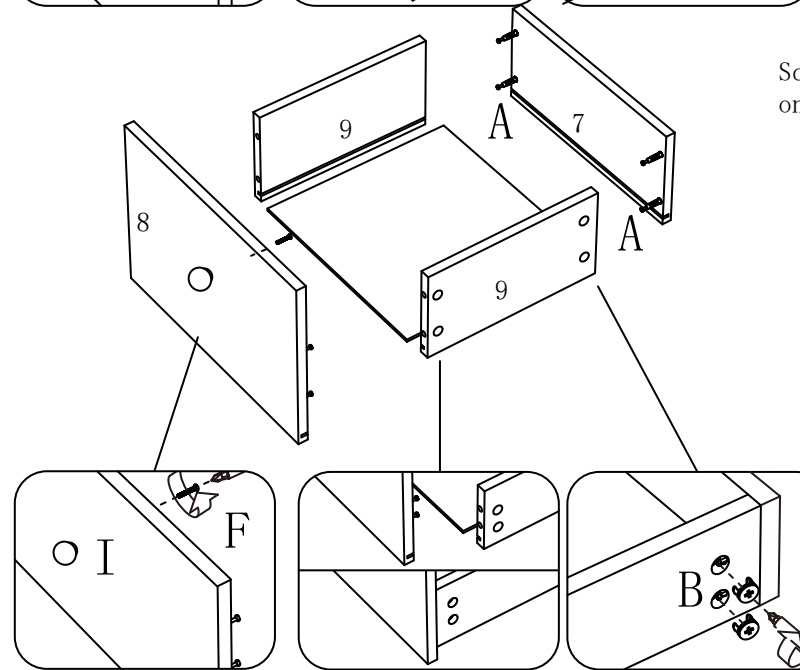
First install the drawer .



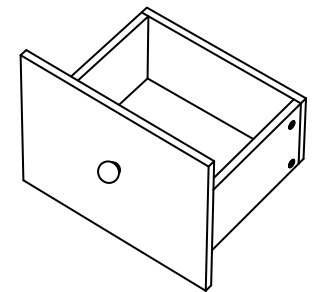
Screw in the eccentric screw on the 4 and 6 plates first

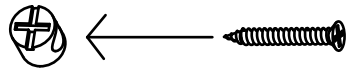
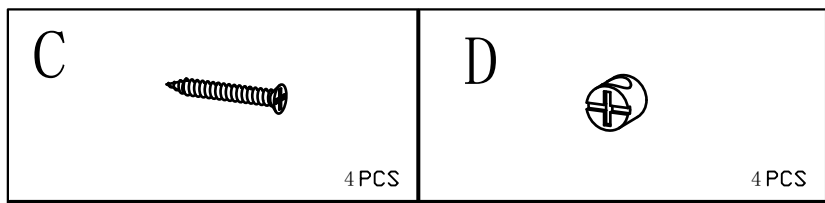


X2



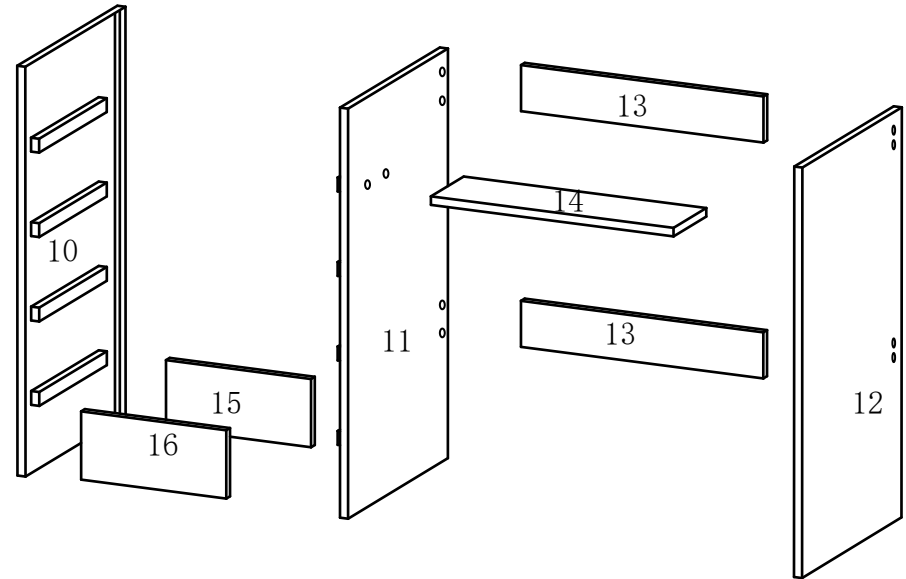
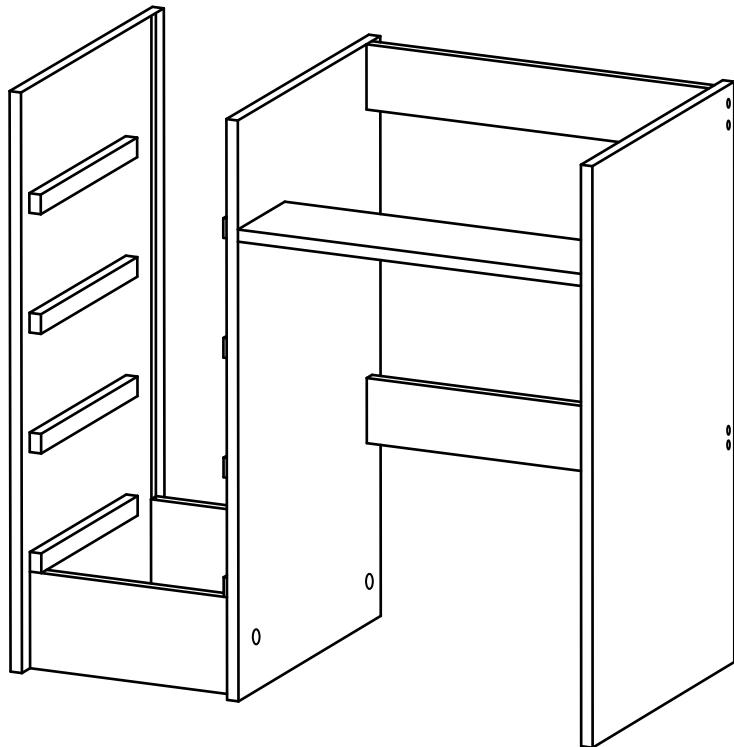
Screw in the eccentric screw on the 7 and 8 plates first





When placing D, it should be noted that the round hole should be aligned with the direction of screw in C

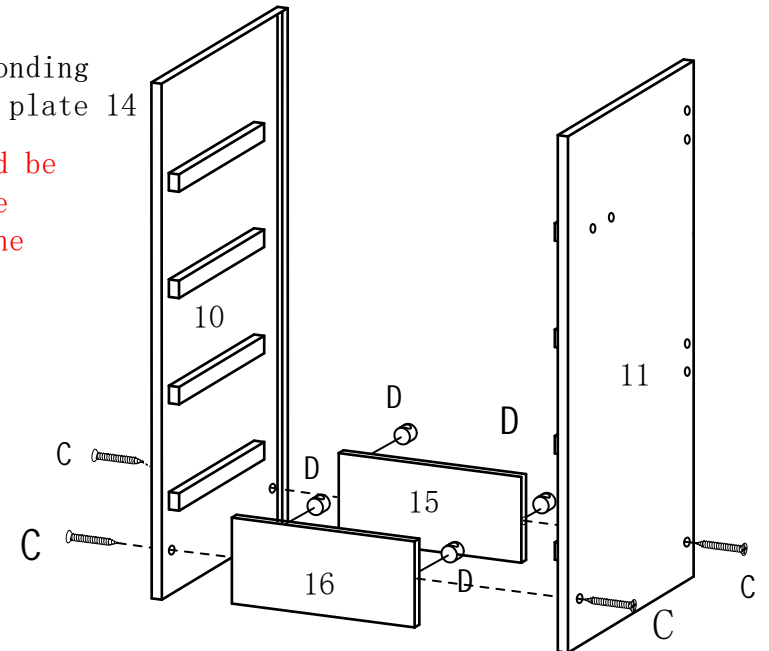
Second install the cabinet.







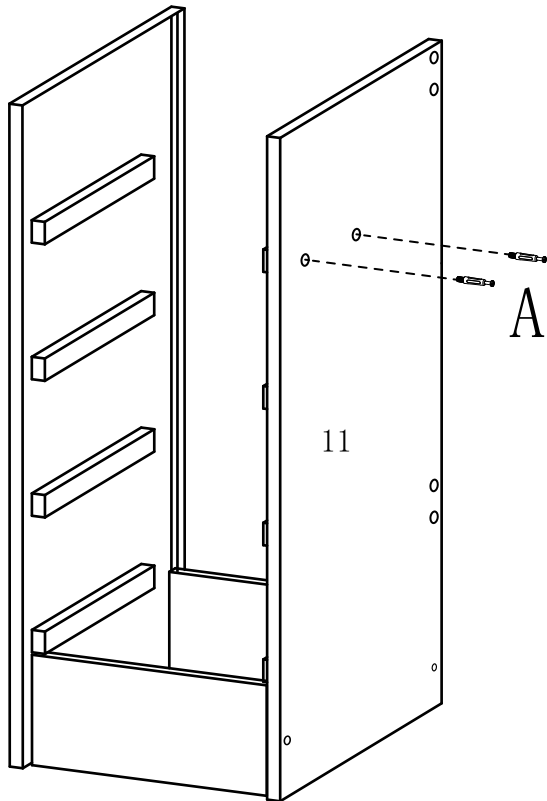
1. Place D in the corresponding position of plate 13 and plate 14

When placing D, it should be noted that the round hole should be aligned with the direction of screw in C

2. Connect and fix plates 10, 11, 15 and 16 with C



<p>A</p>  <p>4PCS</p>	<p>B</p>  <p>4PCS</p>
<p>C</p>  <p>8PCS</p>	<p>D</p>  <p>8PCS</p>

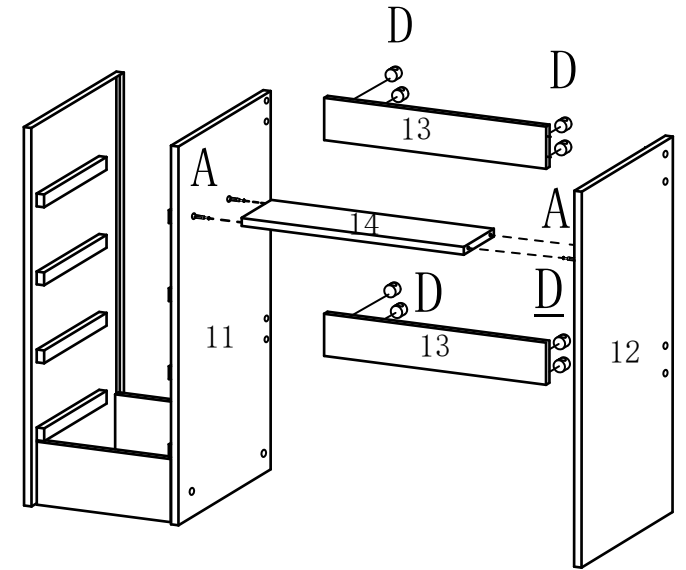


Screw A into the corresponding hole of plate 11

1. Place D into the corresponding hole of No. 13 plate

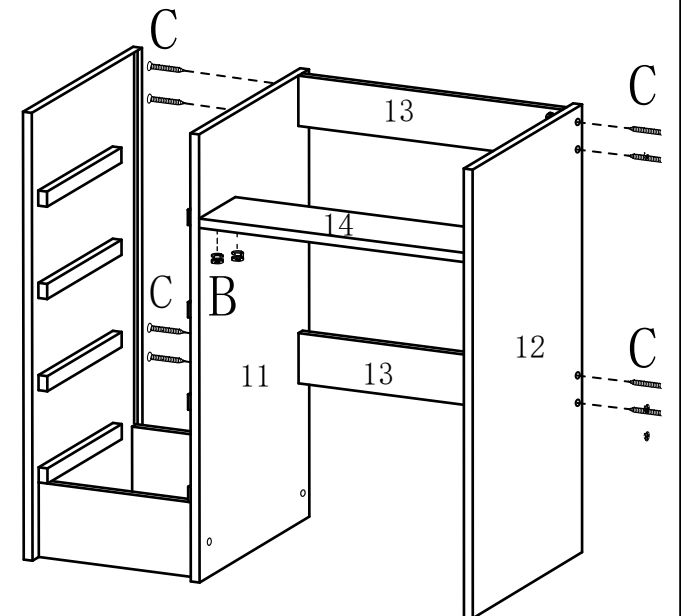
When placing D, it should be noted that the round hole should be aligned with the direction of screw in C

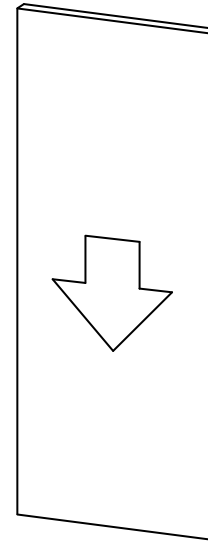
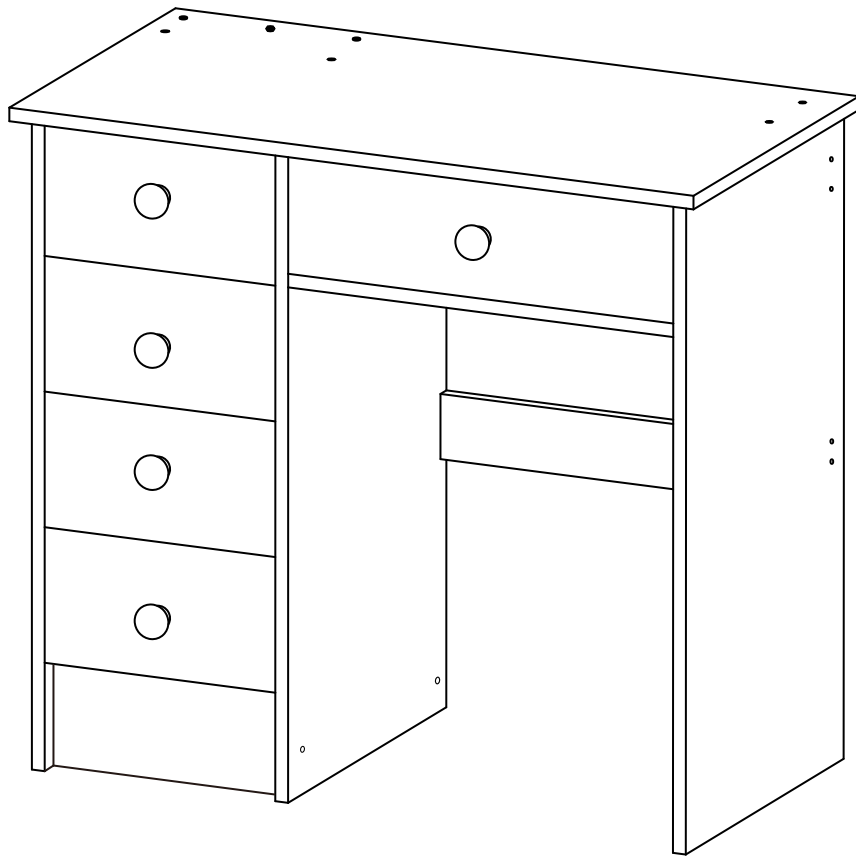
2. Screw A into the corresponding hole of plate 14



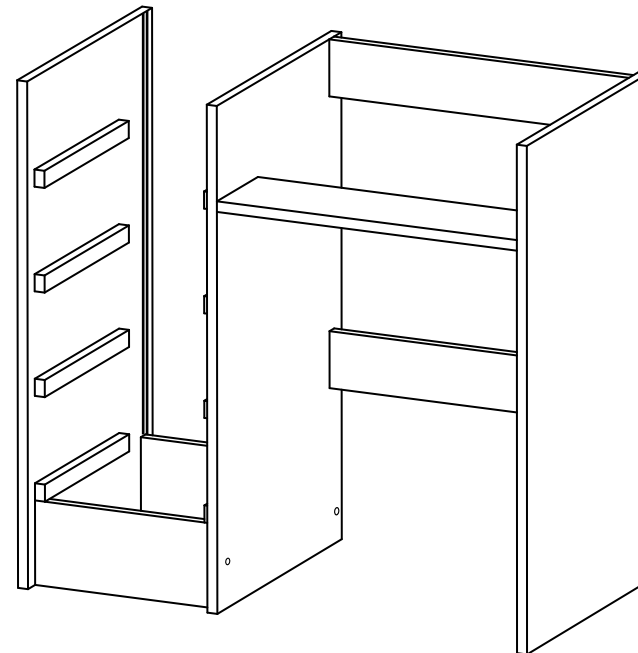
Connect and fix plate 11, 12 and 13 with C

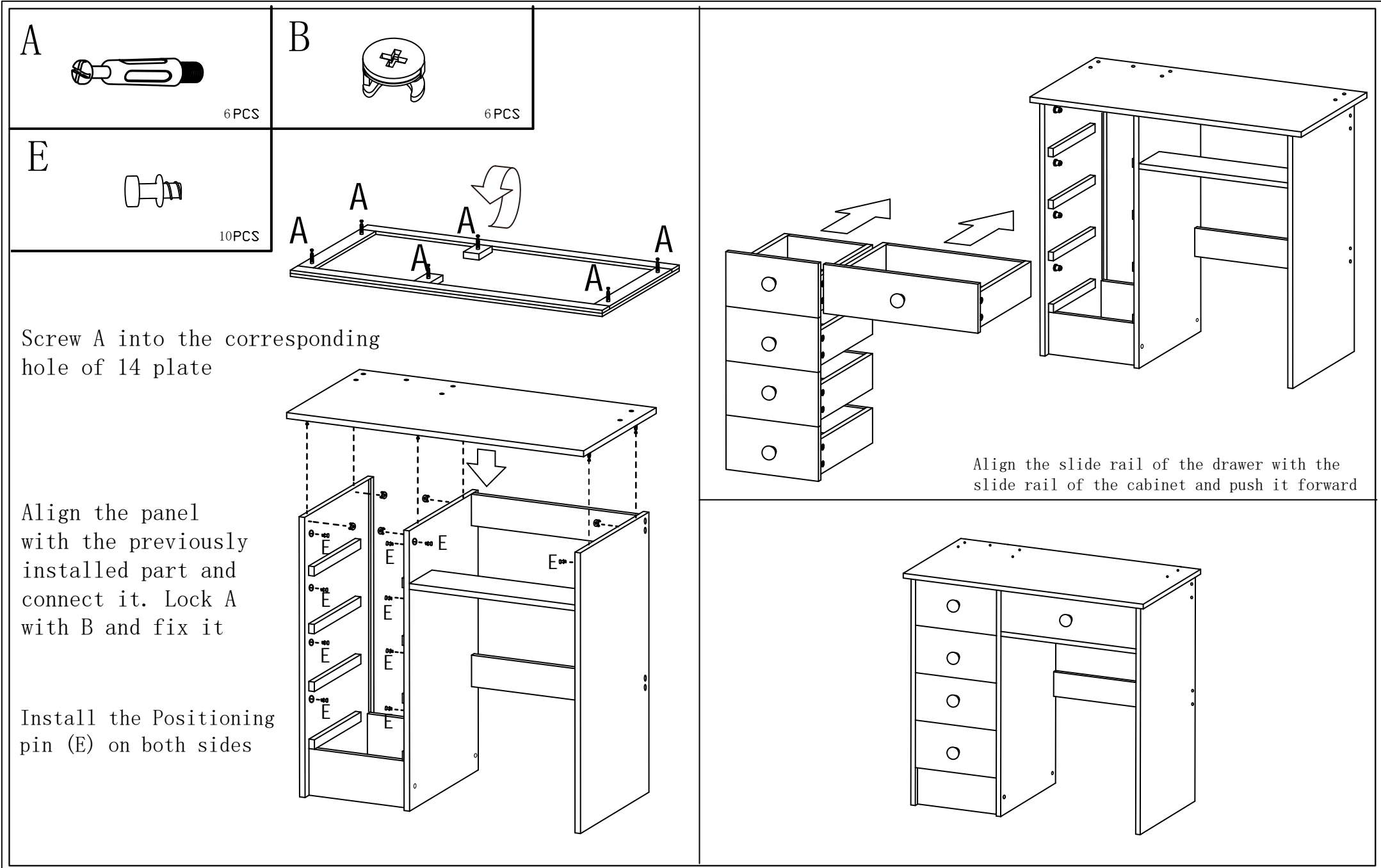
Use B to connect plate 11, plate 12 and plate 14







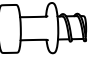
Align the sheet with the  
slot of plate 10, 11 and 15  
and push forward

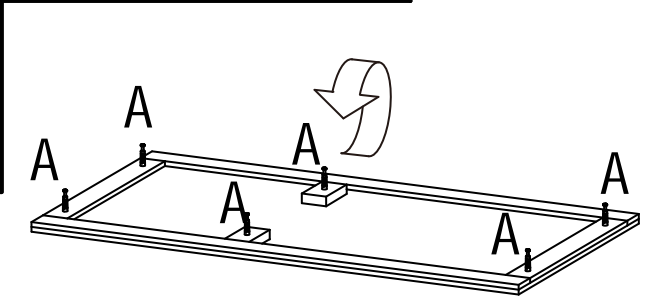




A  6 PCS

B  6 PCS

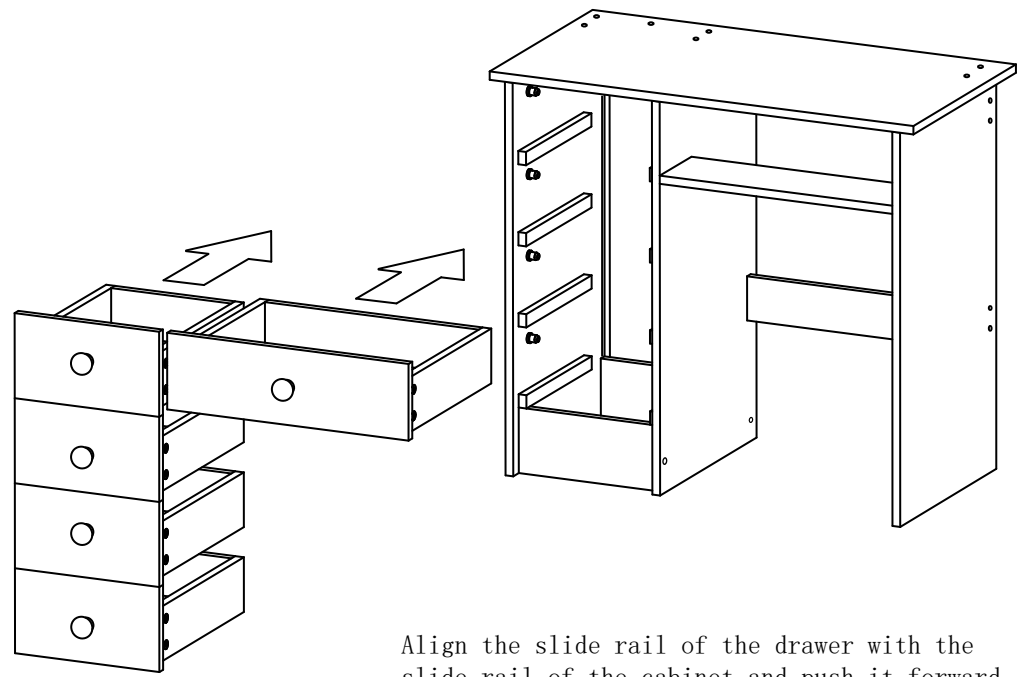
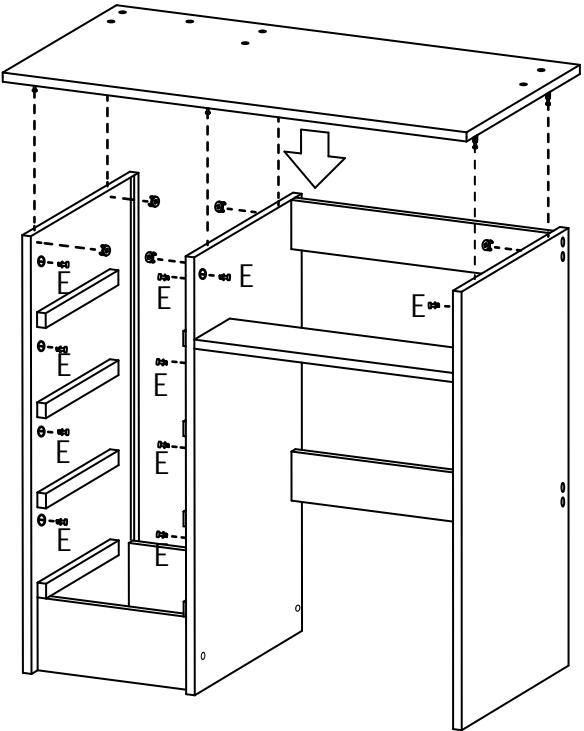
E  10 PCS



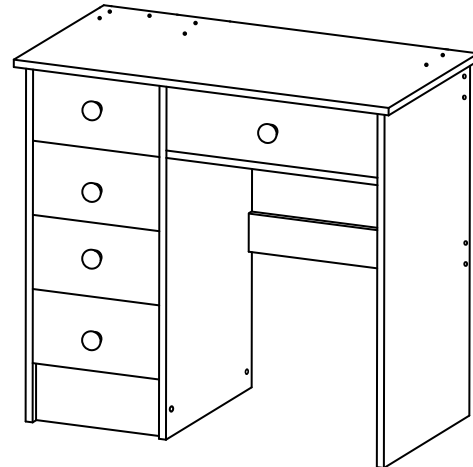
Screw A into the corresponding hole of 14 plate

Align the panel with the previously installed part and connect it. Lock A with B and fix it

Install the Positioning pin (E) on both sides



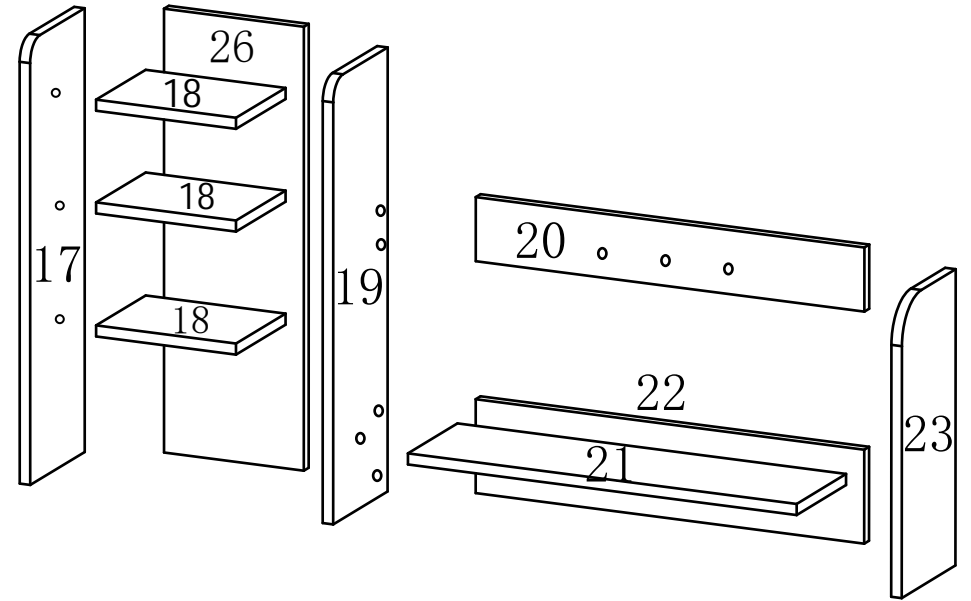
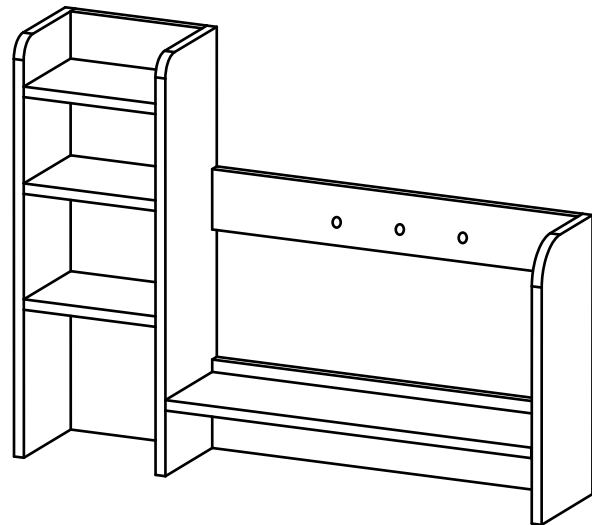
Align the slide rail of the drawer with the slide rail of the cabinet and push it forward



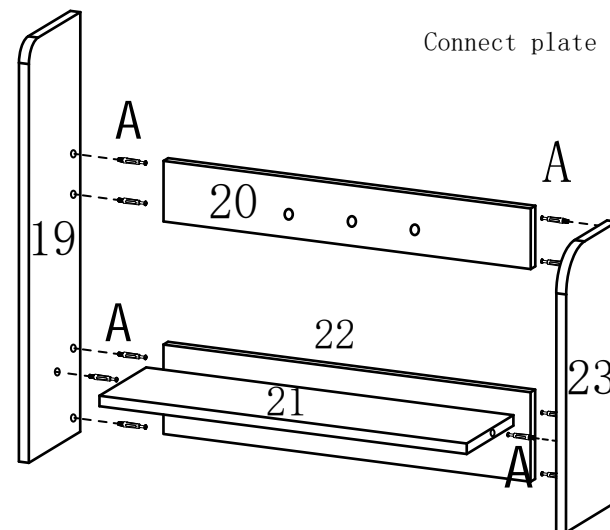
A

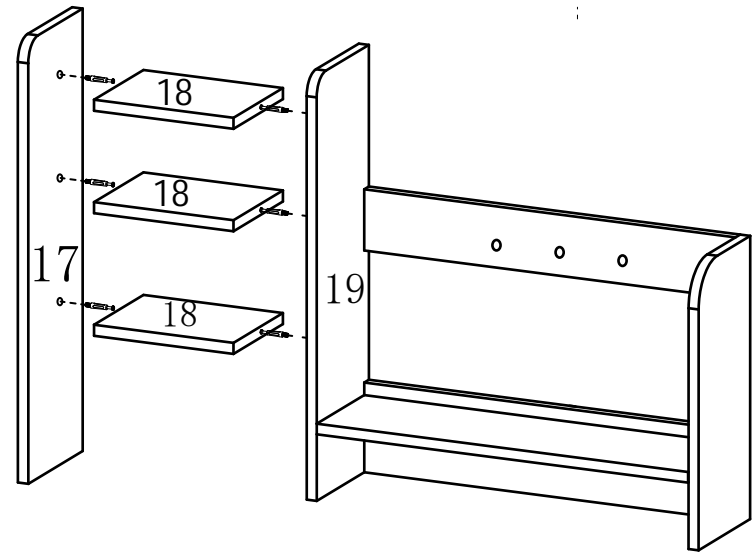
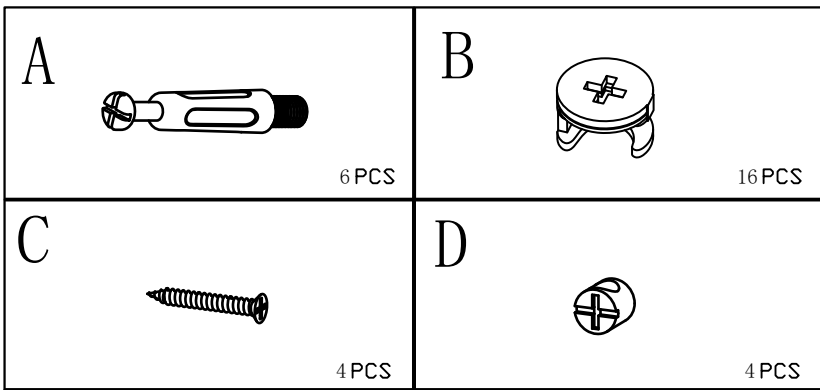


10PCS

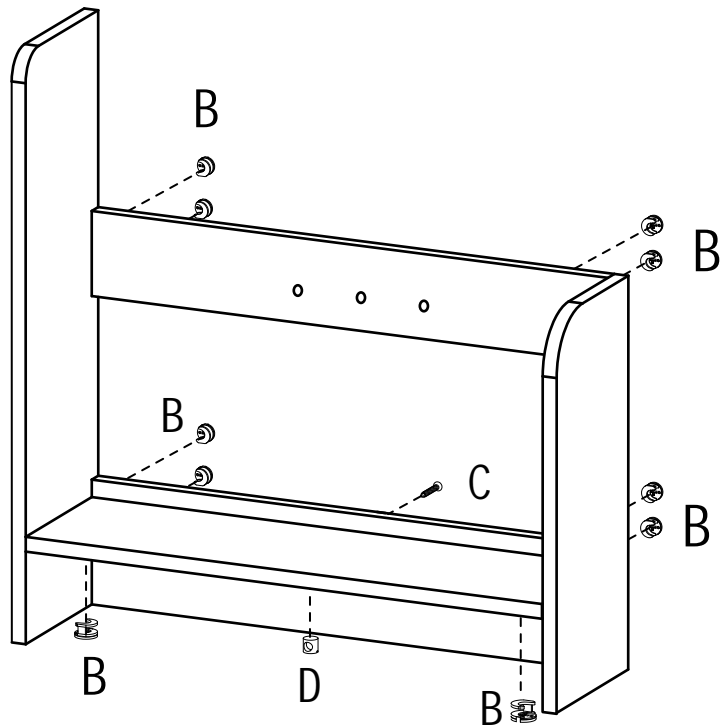


Connect plate 19. 20. 21. 22. 23 with A

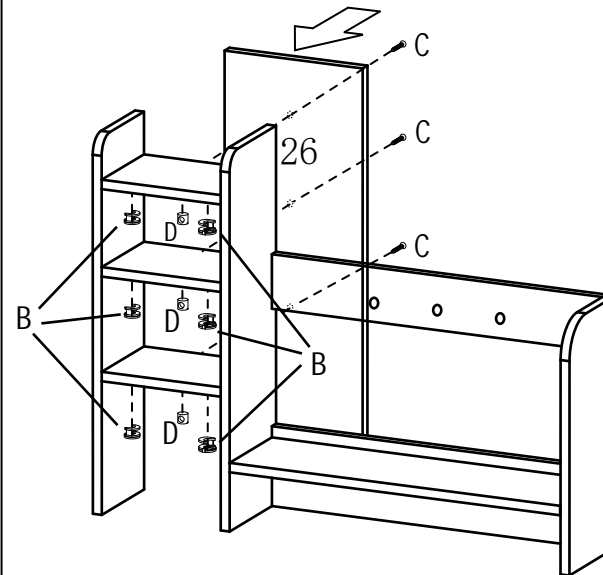




Connect plates 17, 18 and 19 with A

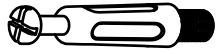


Lock A with B and fix it; Put D into the corresponding hole of plate 21, and then screw in with C



Lock A with B, place D in plate 18, and screw C in

A

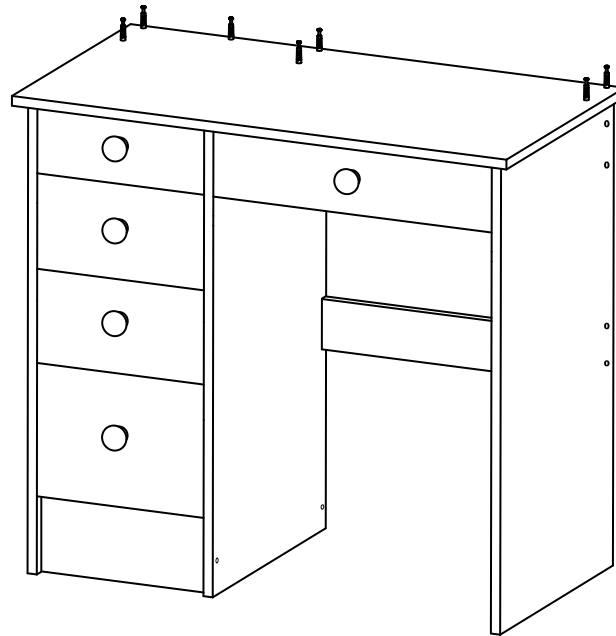
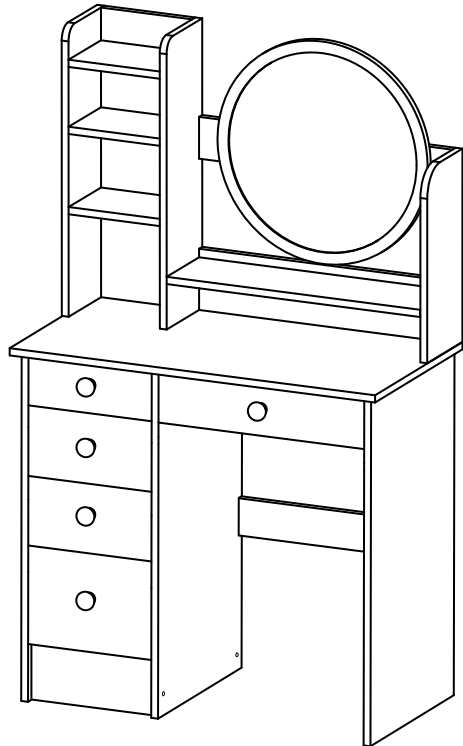


7 PCS

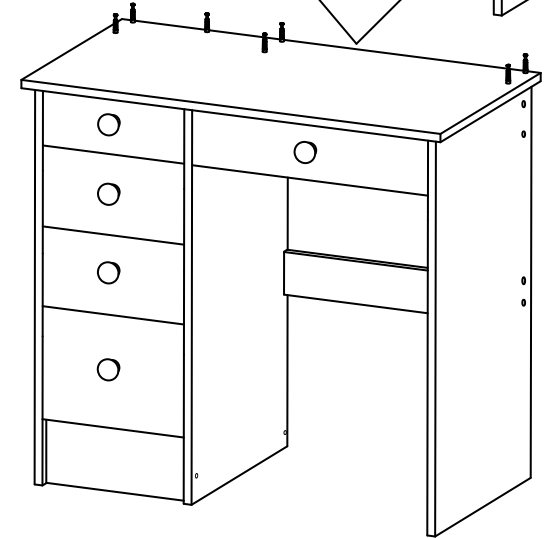
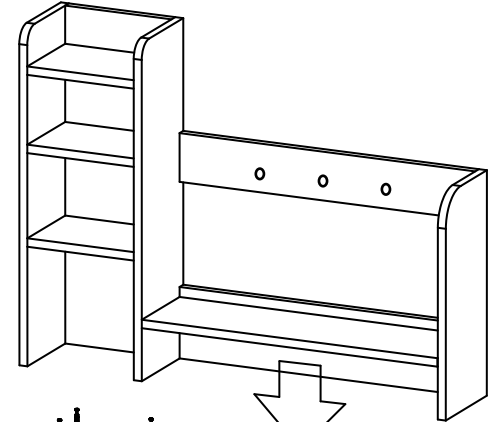
B



7 PCS



Screw in A on the panel

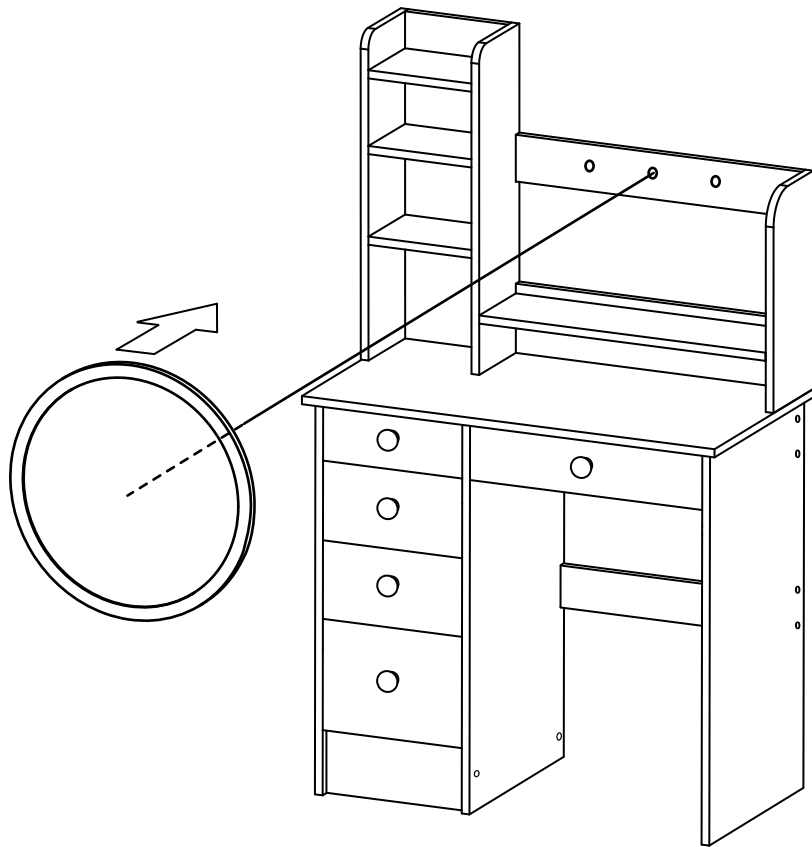


Align the upper part with A and connect it with the lower part, then lock and fix it with B

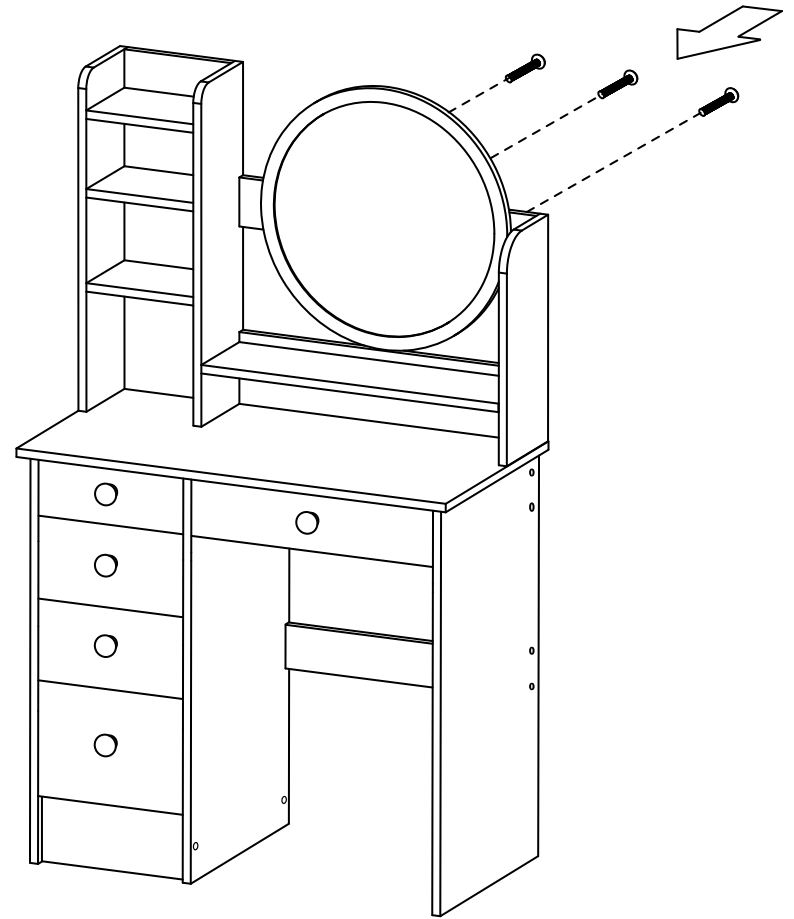
J



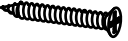


3 PCS

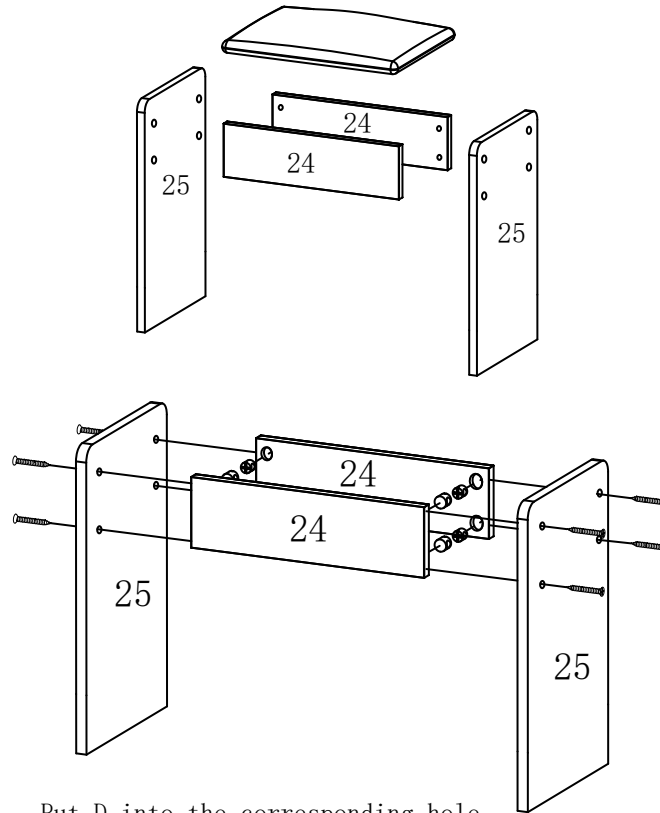
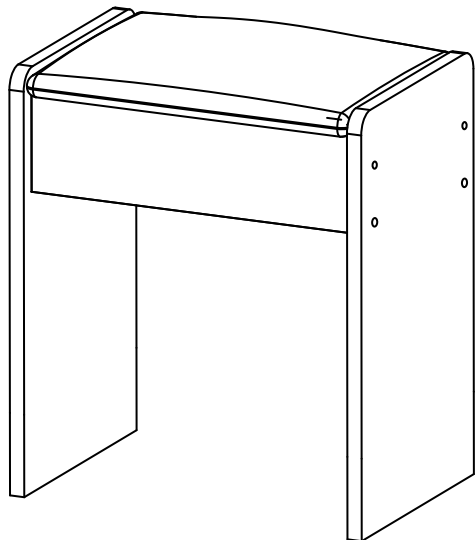


Align the mirror with the hole of plate 20

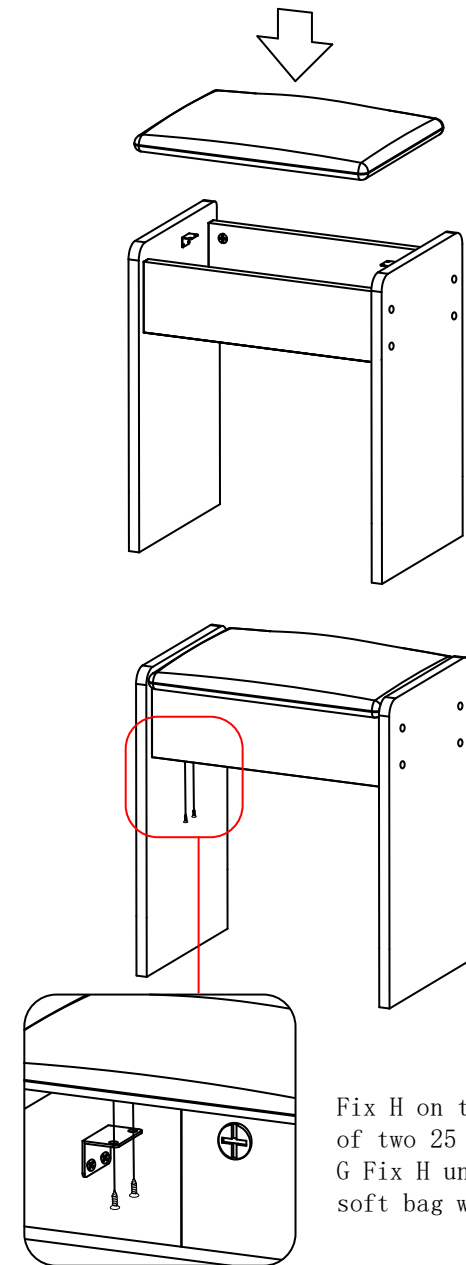
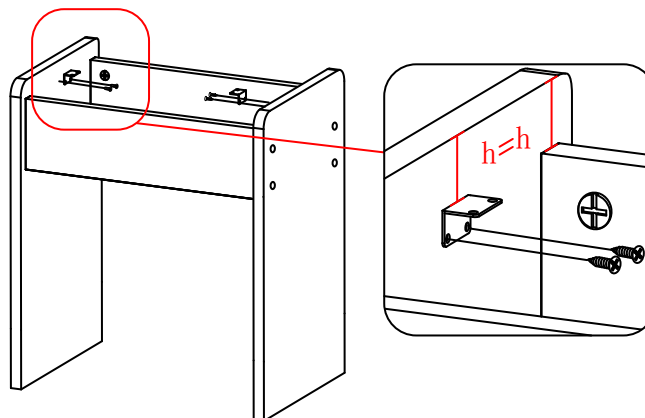


Screw F into the hole of plate 20 to fix the mirror

C		8 PCS
D		8 PCS
G		8 PCS



Put D into the corresponding hole of plate 24, and then screw C into plate 25



Fix H on the inside of two 25 plates with G. Fix H under the soft bag with G.