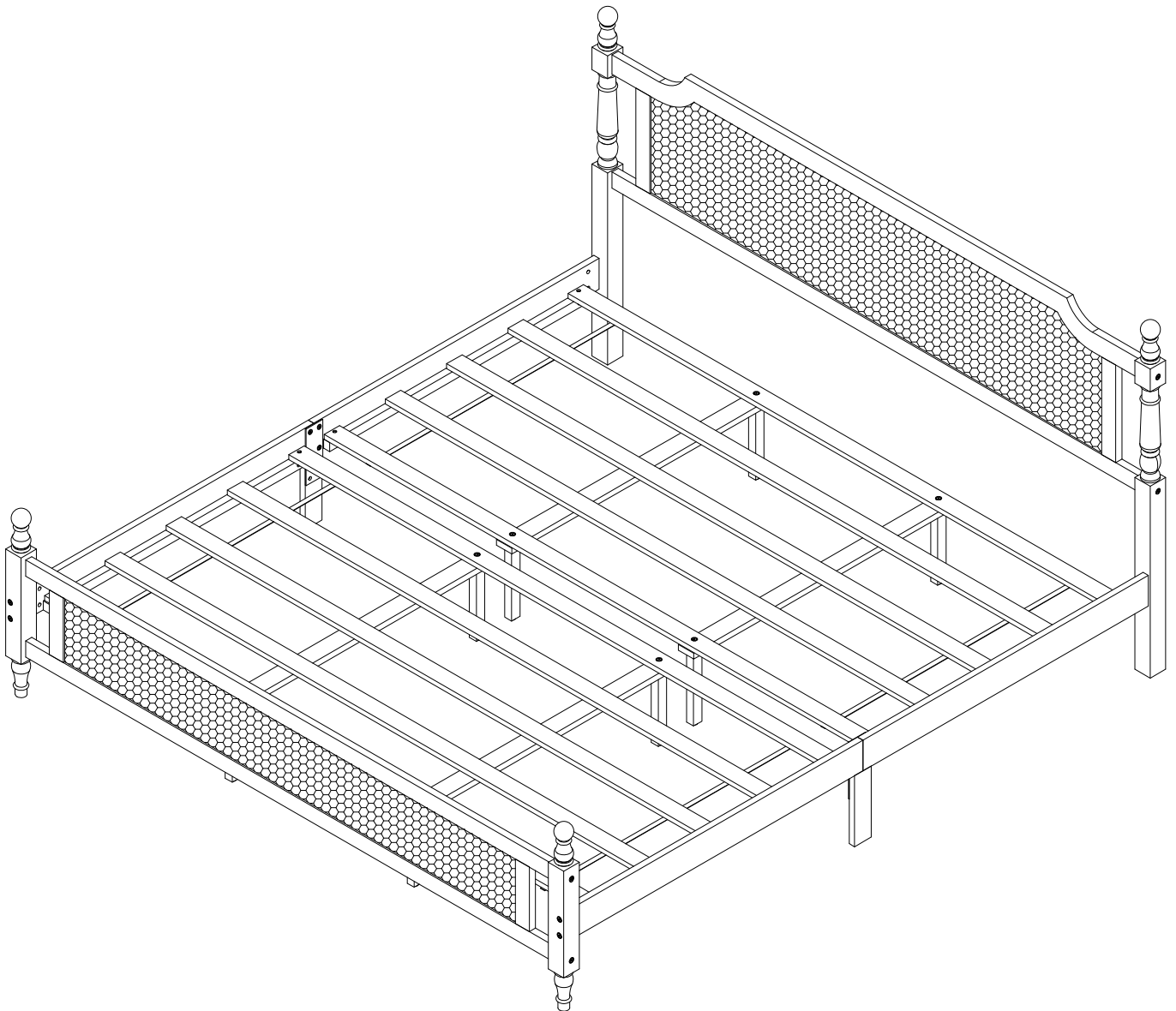
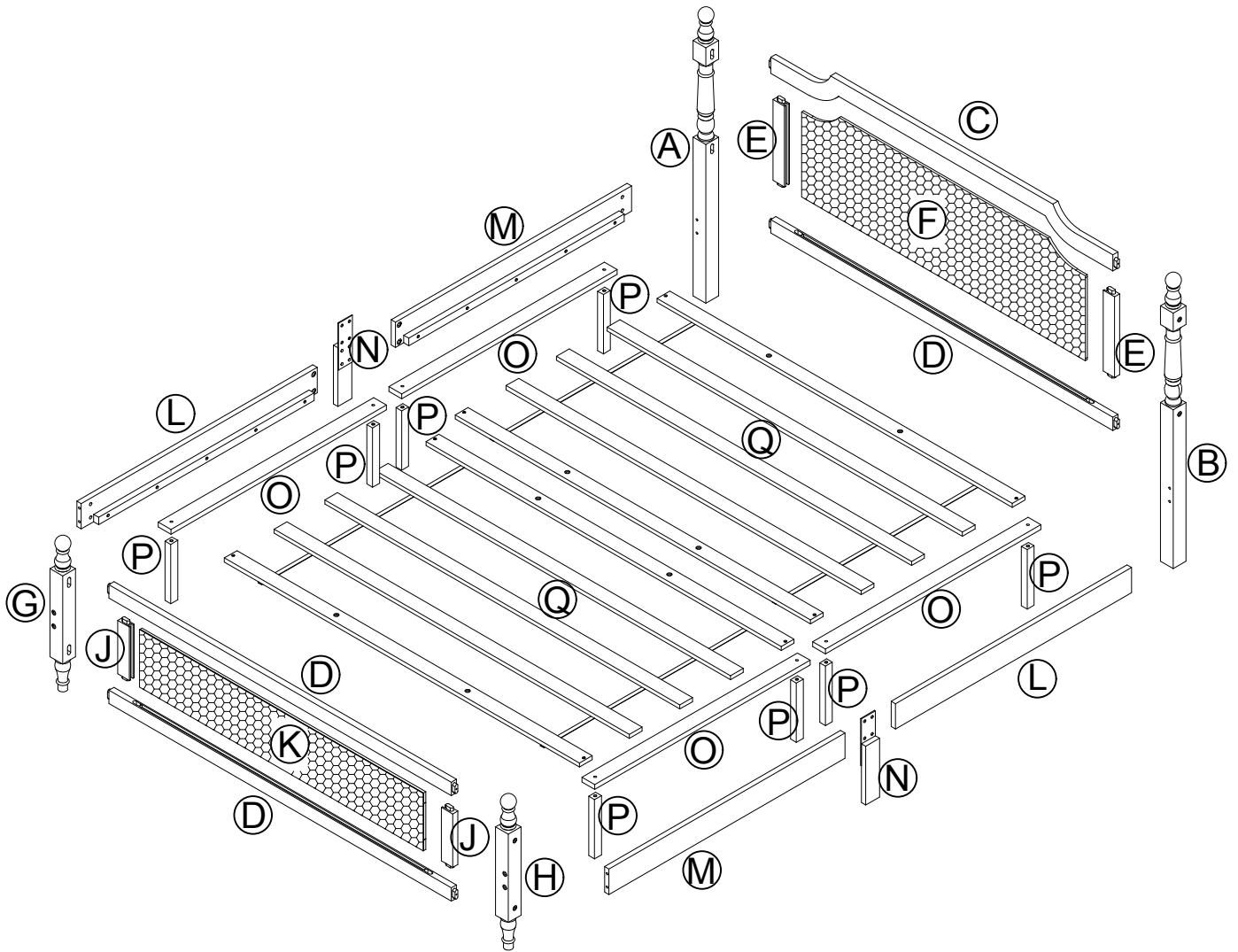


# ASSEMBLY INSTRUCTIONS






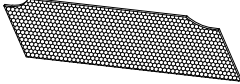
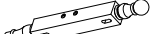





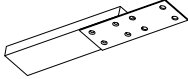

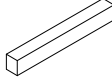
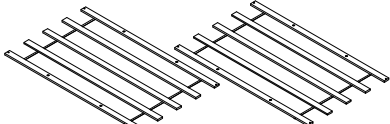
## KING BED RATTAN HEADBOARD AND FOOTBOARD



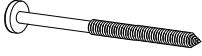
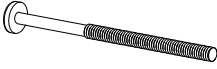






# Detail View



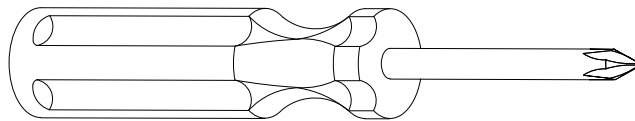
# Part List :

<p><b>A</b></p>  <p>LEG HB (left) - 1pc</p>	<p><b>B</b></p>  <p>LEG HB (right) - 1pc</p>	<p><b>C</b></p>  <p>Shoulders on headboard in - 1pc</p>
<p><b>D</b></p>  <p>Shoulders under the headboard in 3pcs</p>	<p><b>E</b></p>  <p>Tanding bars on both sides of the inner bed head (2pcs)</p>	<p><b>F</b></p>  <p>Inner head board - 1pc</p>
<p><b>G</b></p>  <p>LEG FB (left) - 1pc</p>	<p><b>H</b></p>  <p>LEG FB (right) - 1pc</p>	<p><b>J</b></p>  <p>Ladders stand on both sides of the inner bed (2pcs)</p>
<p><b>K</b></p>  <p>inner Food board (1pc)</p>	<p><b>L</b></p>  <p>Left Rail Left rail - 2pcs</p>	<p><b>M</b></p>  <p>Right rail - 2pcs</p>
<p><b>N</b></p>  <p>Supported Legs (2pcs)</p>	<p><b>O</b></p>  <p>nner bed support bar (4pcs)</p>	<p><b>P</b></p>  <p>Inner bed side legs (8pcs)</p>
	<p><b>Q</b></p>  <p>Slats - 2set</p>	

# Hardware List :

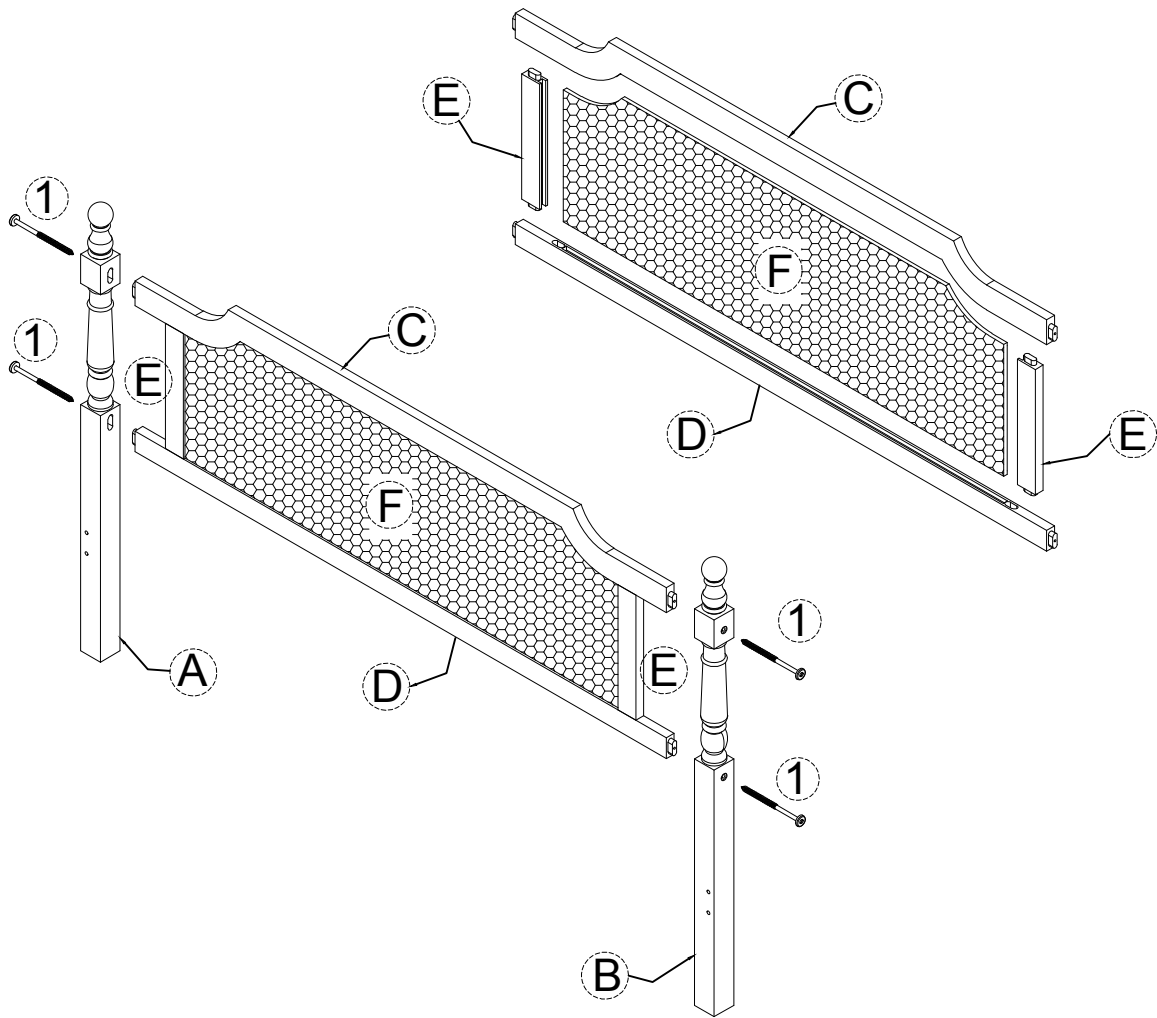
<p>1</p>  <p>(Ø15) x1/4"x90mm Hex - Head Screws (8pcs)</p>	<p>2</p>  <p>(Ø15) x1/4"x110mm Hex-Head Bolts (8pcs)</p>	<p>3</p>  <p>1/4"x15mm(9.5mm) Horizontal-Hole Nuts (8pcs)</p>
<p>4</p>  <p>(Ø15) x1/4"x50mm Hex-Head Bolts (8pcs)</p>	<p>5</p>  <p>(Ø15) x1/4"x15mm Hex-Head Bolts (8pcs)</p>	<p>6</p>  <p>4x30mm Wood screws (8pcs)</p>
<p>7</p>  <p>4x15mm Wood screws (18pcs)</p>	<p>8</p>  <p>(1/4") 4x58mm Allen key (1pc)</p>	

## ASSEMBLY TOOLS REQUIRED ( NOT INCLUDED )



PLEASE BE CAREFUL DO NOT DAMAGE THE HOLE POSITION WHEN YOU USE POWER TOOLS !

STEP 1

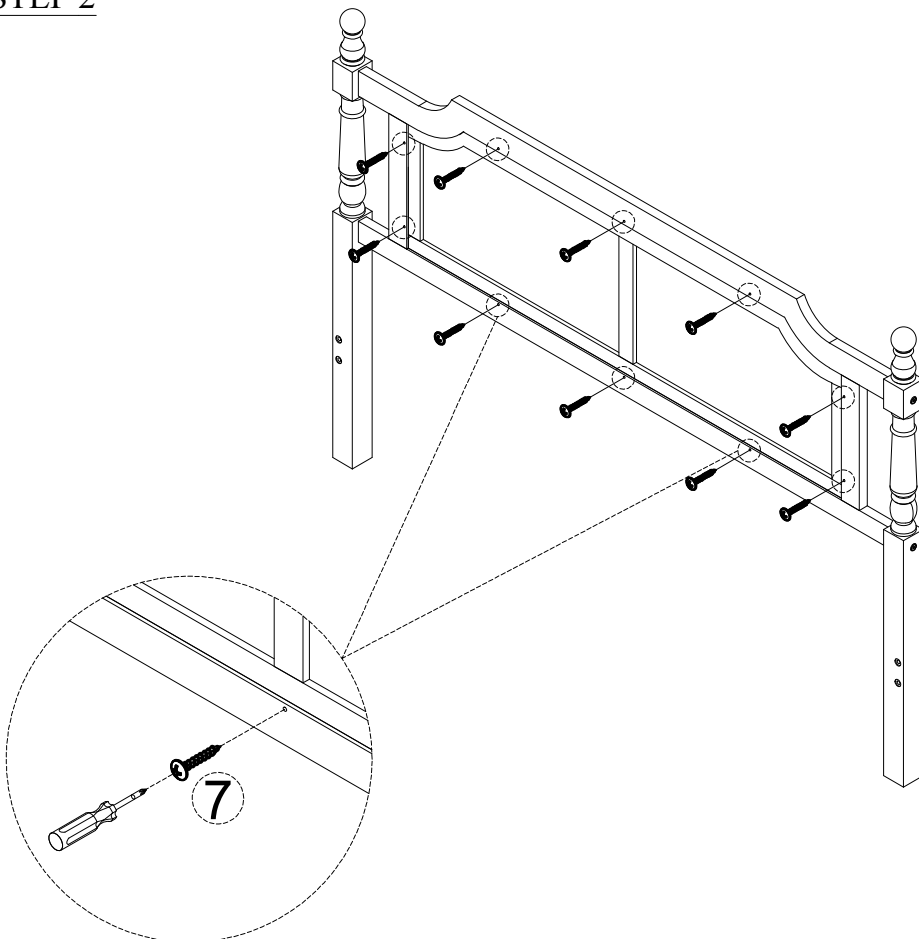


1



(4pcs)

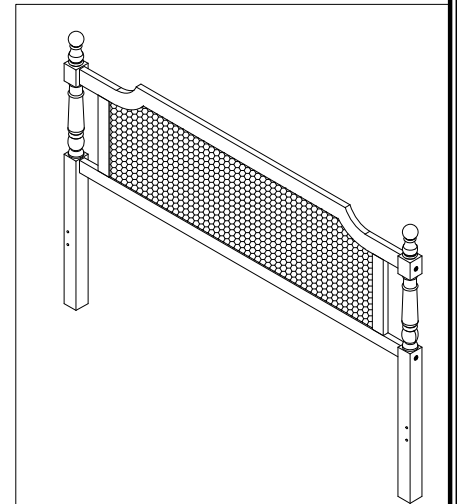
STEP 2



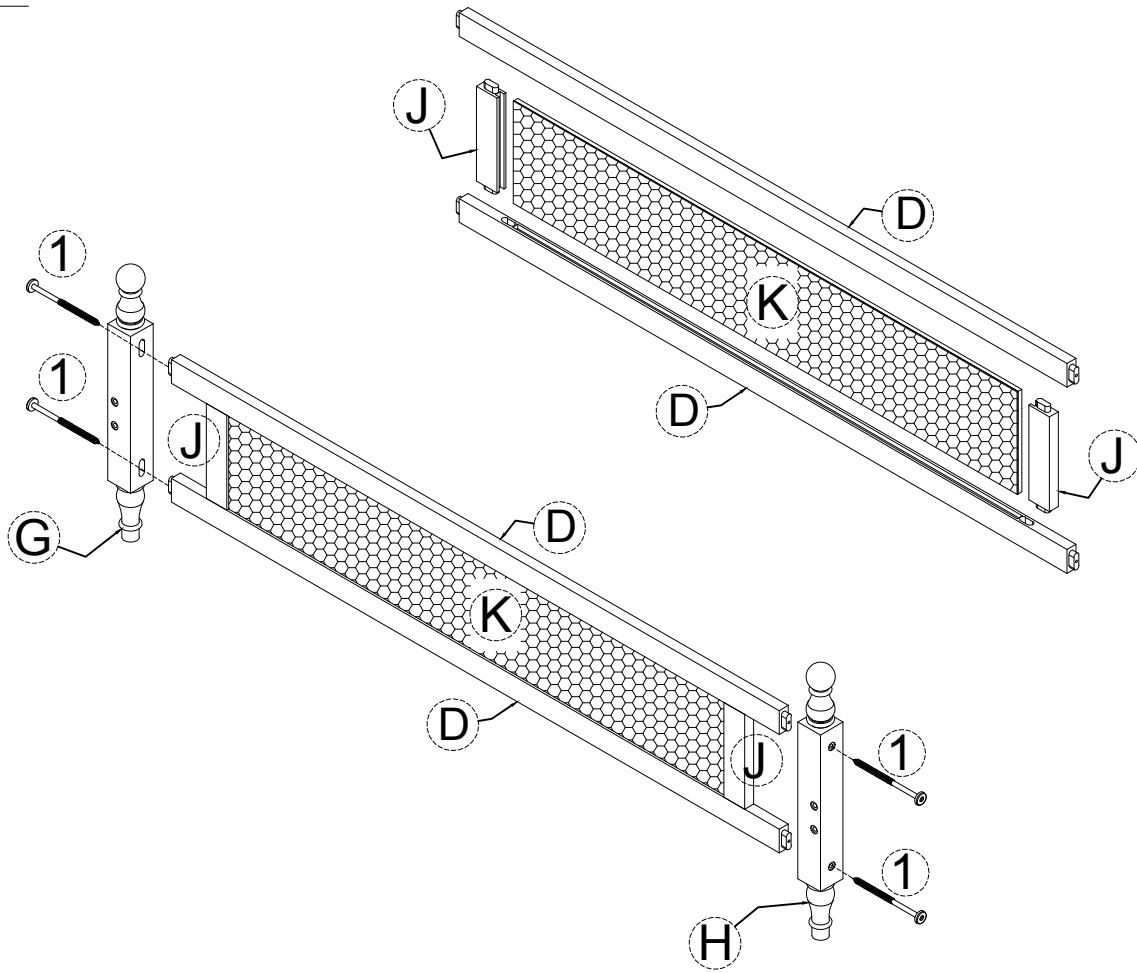
7



(10pcs)



STEP 3

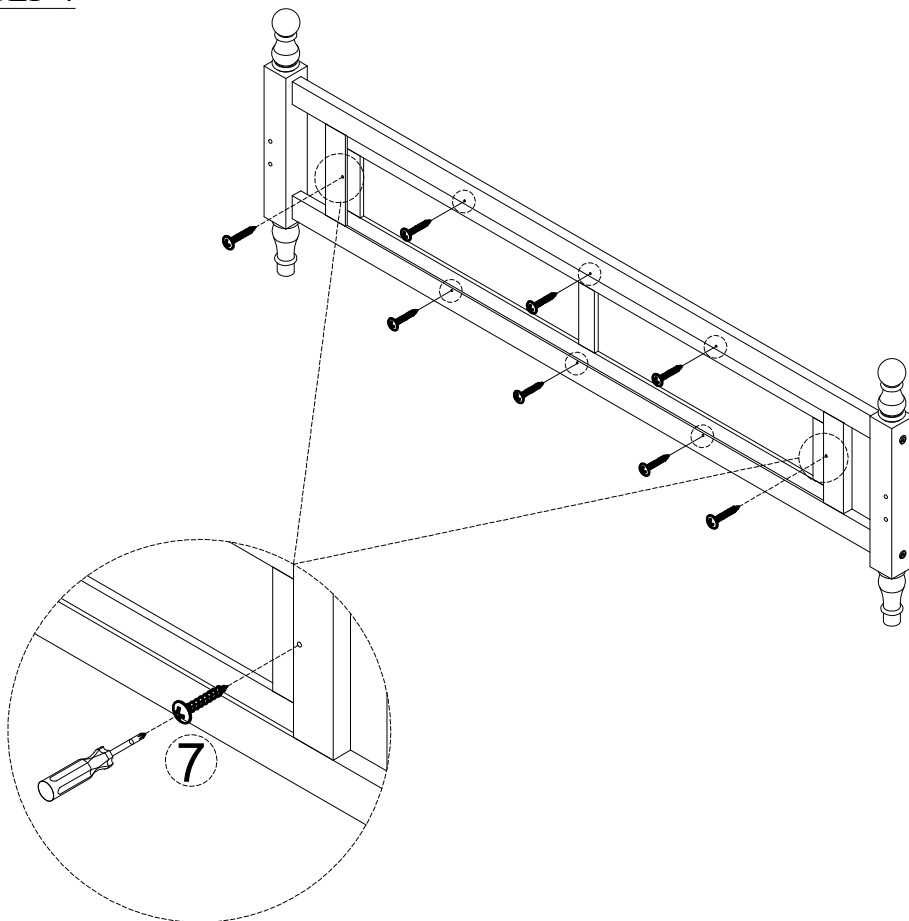


1



(4pcs)

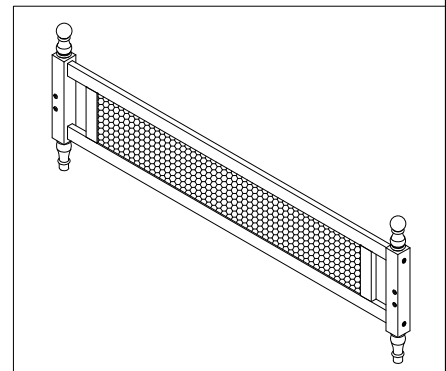
STEP 4



7

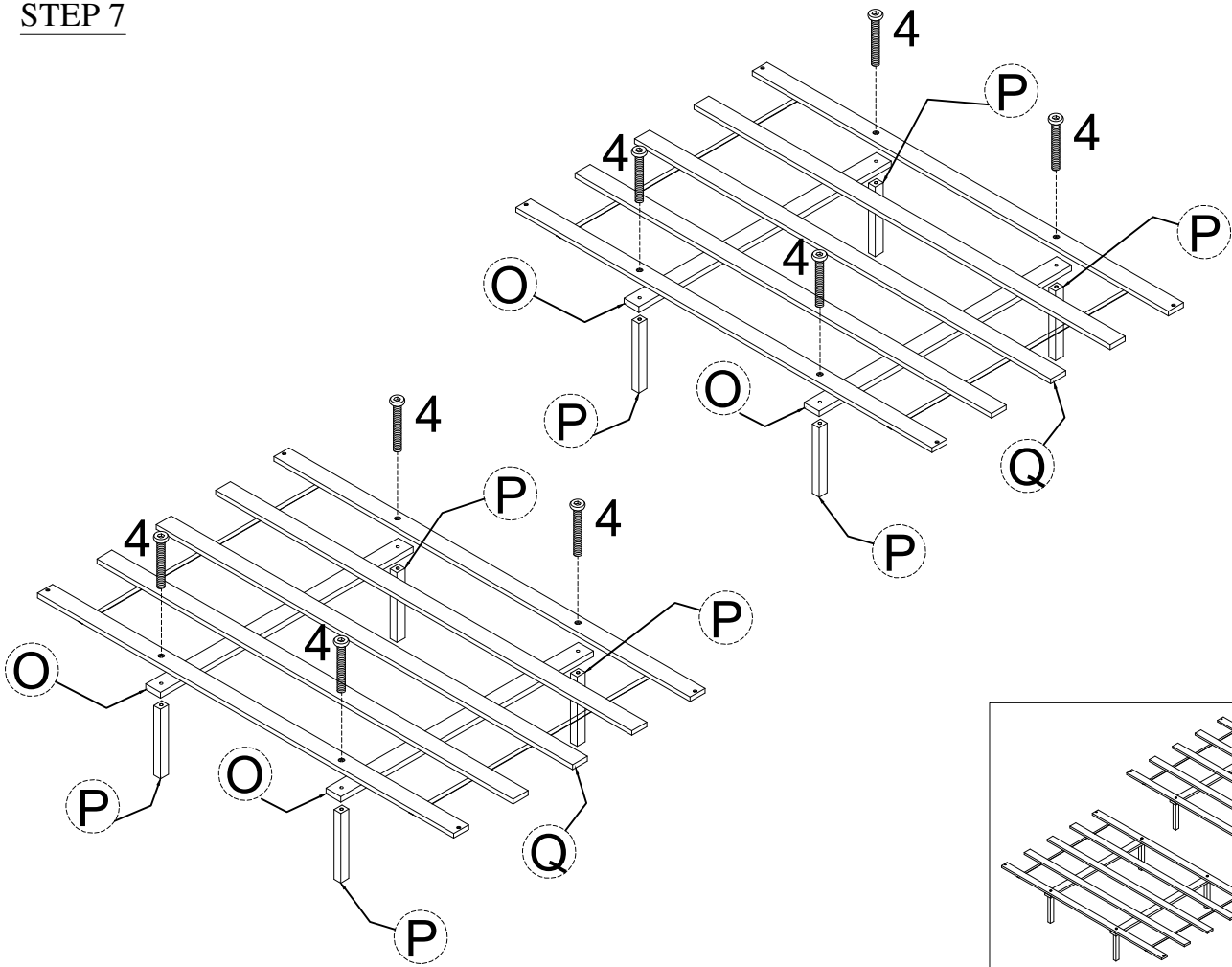


(8pcs)





STEP 7

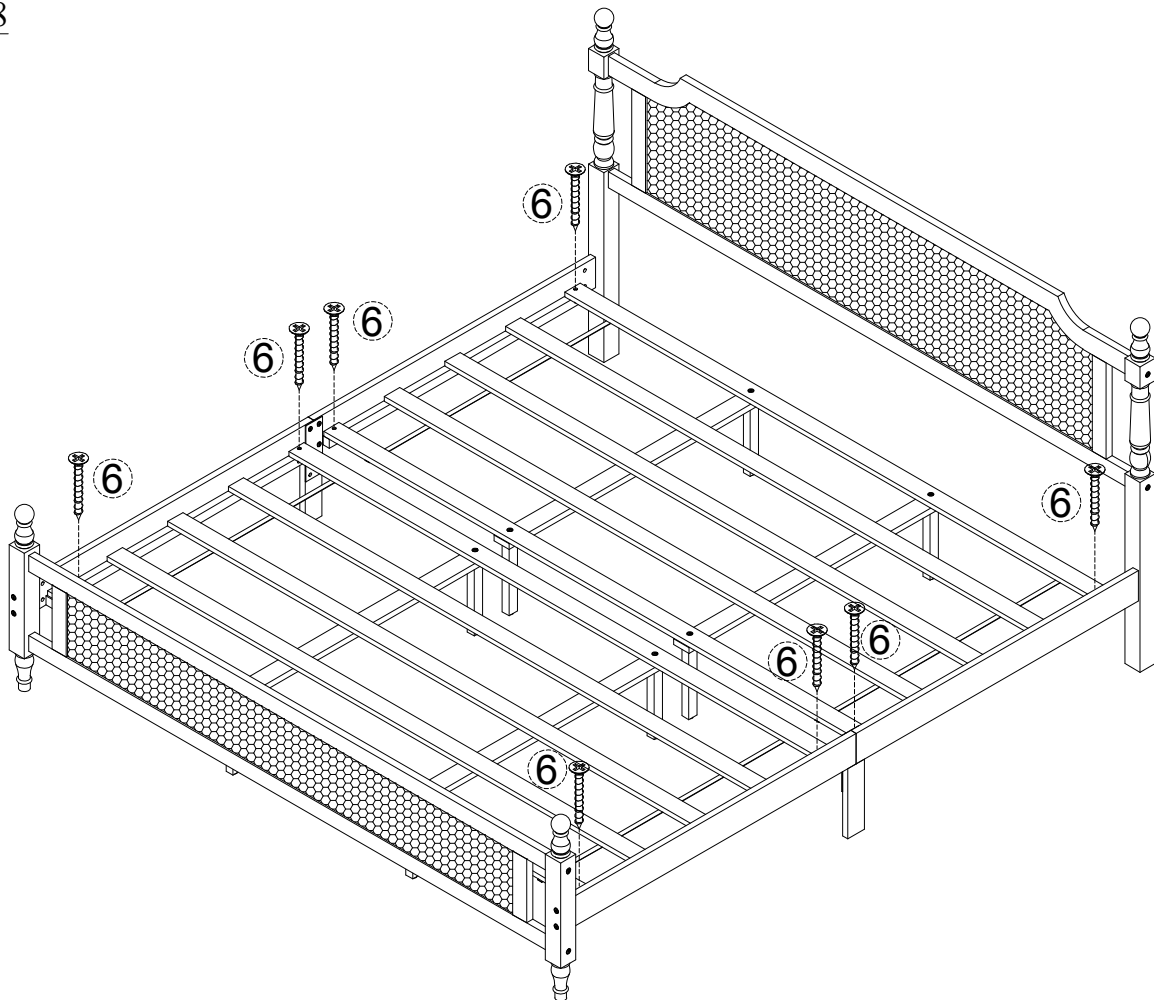


4

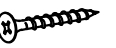


(8pcs)

STEP 8



6



(8pcs)

