

THANK YOU FOR YOUR ORDER!

ENCLOSED PLEASE FIND A POLISHING CLOTH FOR YOUR USE TO CLEAN THE GLASS OF THIS PRODUCT.

PLEASE ALSO CALL US IF YOU HAVE ANY QUESTIONS.

ASSEMBLY INSTRUCTIONS

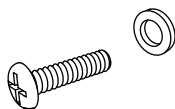
We have designed our furniture with you , the customer in mind . Our clear , easy to follow , step by step instructions will guide you through the project from start to finish .

Feel confident that this will be a fun and rewarding project . The final product will be a quality piece of furniture that will go together smoothly and give years of enjoyment .



Please do not return to the store

Hardware List

A

Screw and washer
(8pcs)

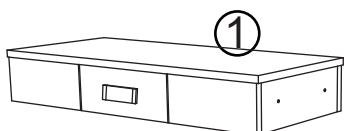
B

Locking nut
(4pcs)

C

Polishing cloth
(1pc)

Panel List



Top component (1pc)



Side panel (2pcs)

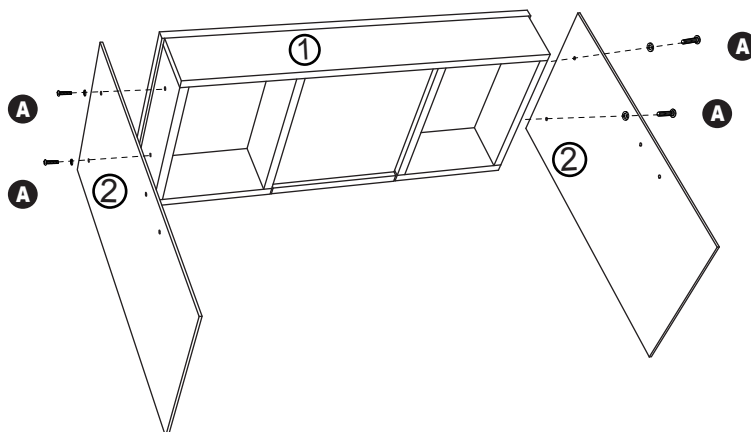


Back panel (1pc)

Step 1

Place face down on carpet or soft surface.

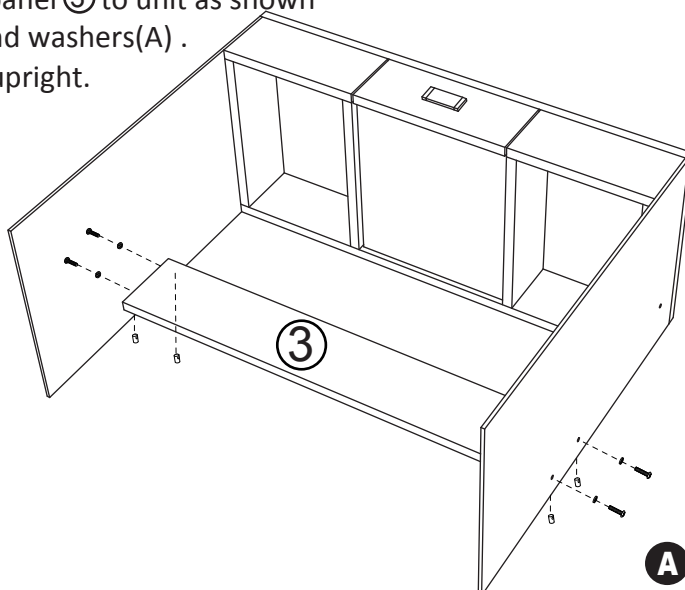
1. Connect the side panels (2) to top component (1) using screws and washers (A).

**A**

x4

Step 2

1. Insert locking nuts (B) into back panel (3).
2. Connect back panel (3) to unit as shown using screws and washers (A).
3. Place the unit upright.

**A**

x4

B

x4

