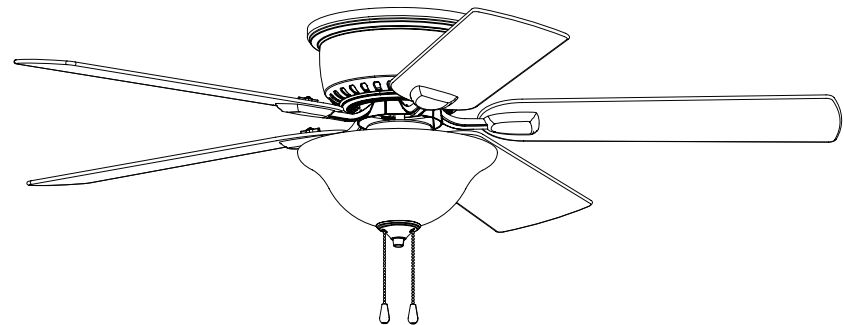
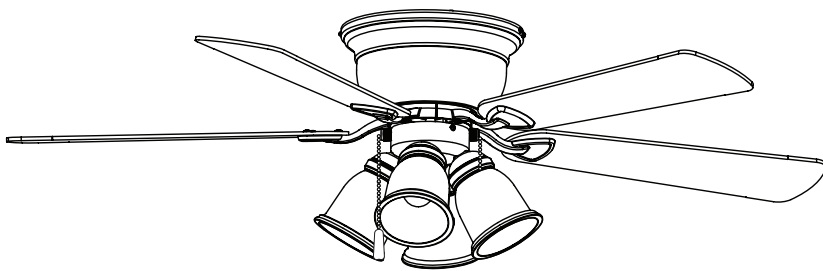
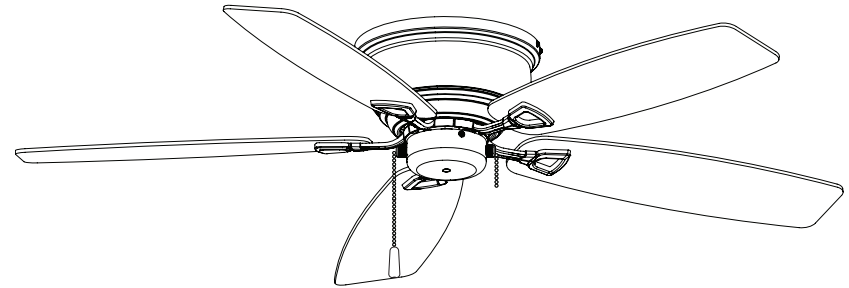
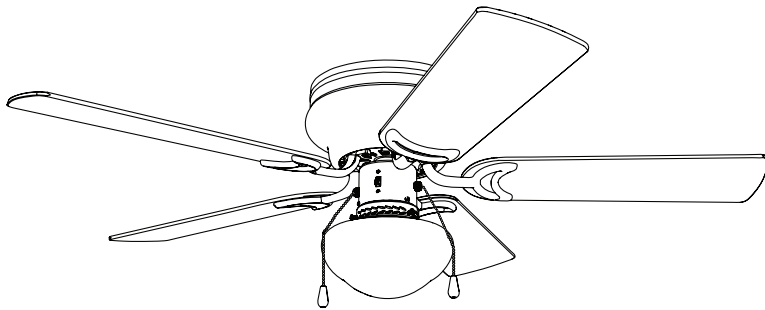
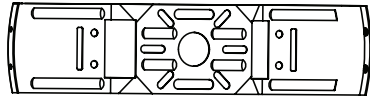


CEILING FAN

INSTALLATION MANUAL



PACKAGE CONTENTS

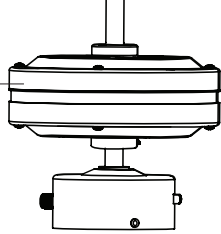


Upper Mounting Bracket

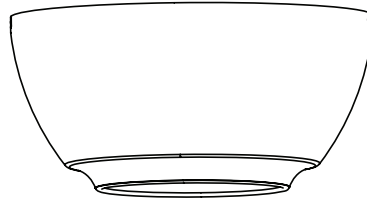
Lower Mounting Bracket



Motor Assembly



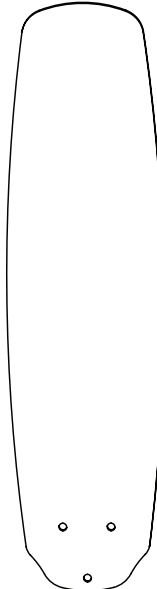
Switch Housing Cap



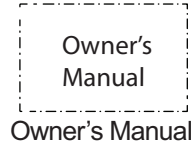
Motor Housing



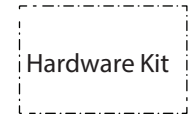
Blade Arm



Blade



Owner's Manual



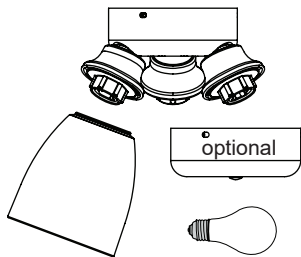
Hardware Kit



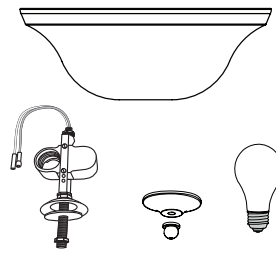
Blade Balancing Kit

Images may not be an exact reflection of your fan parts. This manual provides instructions for a variety of ceiling fan models.

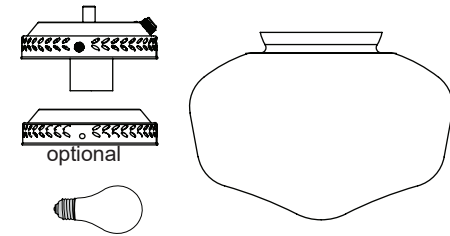
OPTIONAL CONTENTS



Multi-Arm Light Kit



Bowl Light Kit



Globe Light Kit

TABLE OF CONTENTS

Package Contents	2
Preparation	3
Assembly Instructions	5
Optional Light Kit Installation	11
Bowl Light Kit	12
Multi-Arm Light Kit Installation	14
Globe Light Kit Installation	15
Safety Information	16
Care and Maintenance	16
Troubleshooting	17
Warranty	18

PREPARATION

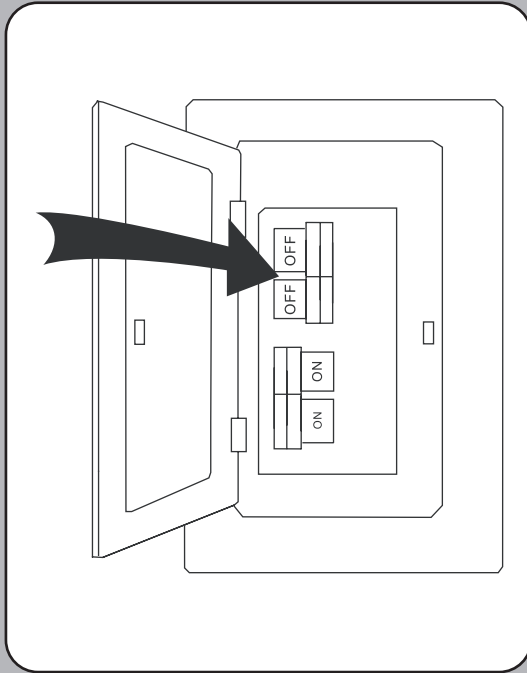
Before beginning the assembly of this product, ensure all parts are present. Compare all parts with the package contents list and hardware contents list. If any part is missing or damaged, do not attempt to assemble the product.

Estimated Assembly Time: 120 minutes

Tools required for assembly (not included): Electrical tape, Phillips Screwdriver, Pliers, Safety Glasses, Step Ladder, and Wire Strippers

Helpful Tools (not included): AC Tester Light, Tape Measure, Wiring Handbook and Wire Cutters

PREPARATION



1. Turn off power.

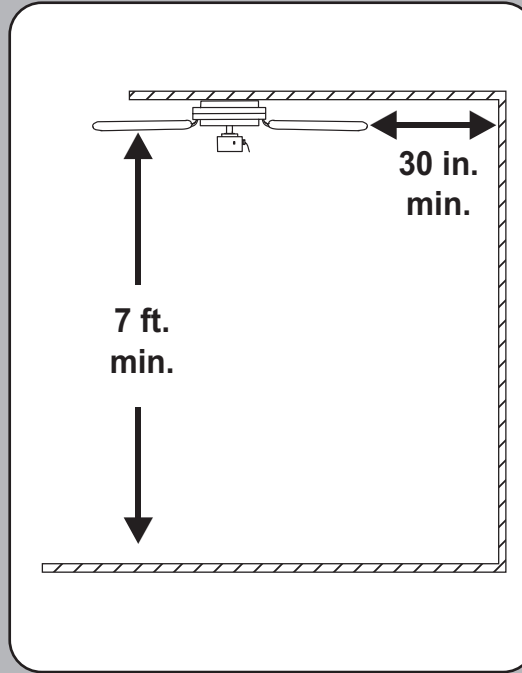
Turn off the power to the fan at the breaker box and the wall switch.



Failure to disconnect the power supply prior to installation may result in serious injury or death.

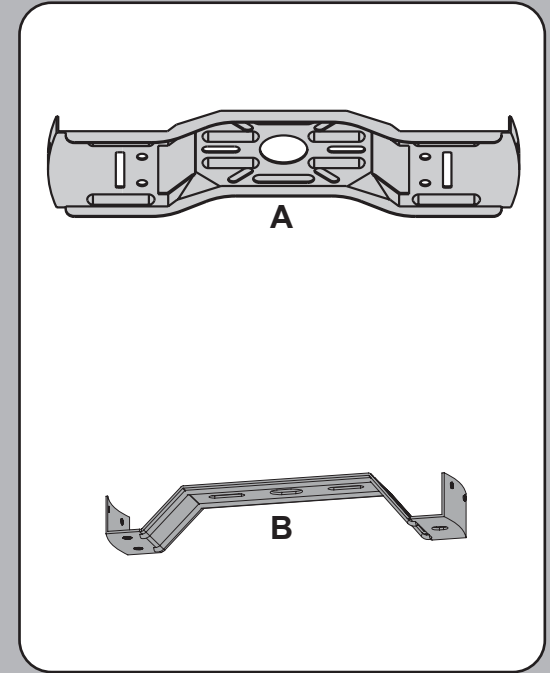


See page 16 for complete description of cautions and warnings.



2. Choose suitable location.

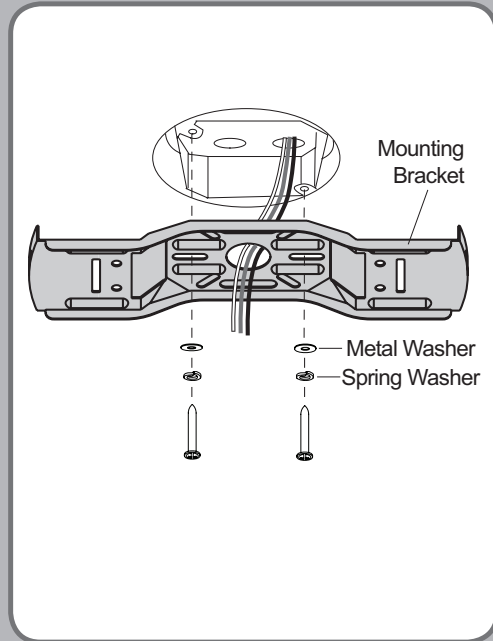
Ensure the blades will be at least 30 inches from any obstructions and the blades will be at least 7 feet above the floor.



3. Choose your mounting bracket.

If your mounting bracket resembles (A), proceed to page 5. If your mounting bracket resembles (B), skip to page 7.

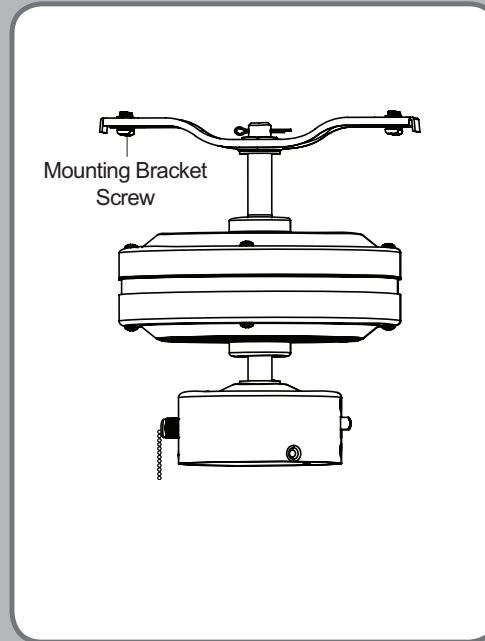
ASSEMBLY INSTRUCTIONS



1. Attach the upper mounting bracket to outlet box.

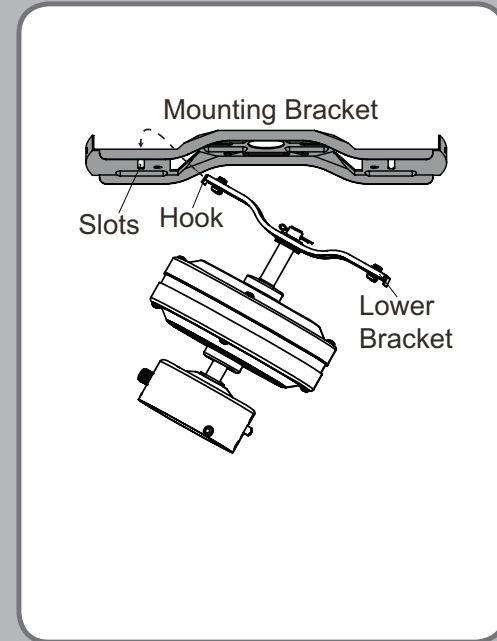
Secure the mounting bracket to the outlet box using screws and washers provided with the outlet box (not included).

Note: It is very important to use the proper hardware when installing the mounting bracket as it will support the fan. Wood screws and washers are included to mount the outlet box to the structure, if necessary.



2. Remove mounting bracket screws.

Remove the four mounting bracket screws from the underside of the lower mounting bracket.

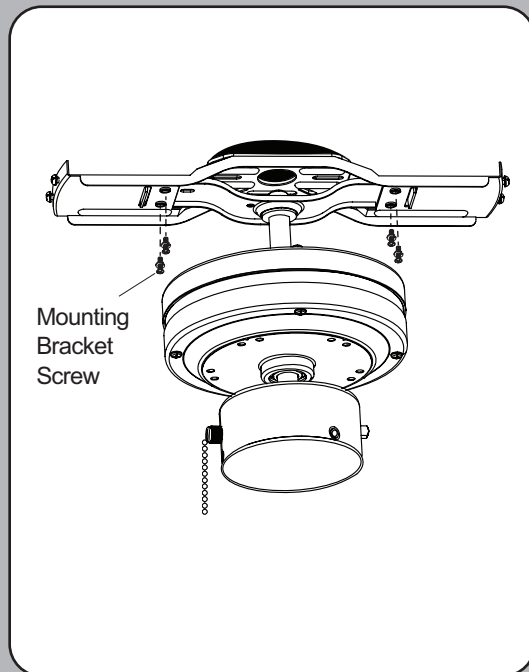


3. Hang the motor assembly in the upper mounting bracket.

Lift the hook on one side of the motor up through the large opening on one side of the mounting bracket. Then lift the hook on the opposite end of the lower bracket through the large opening in the other side of the mounting bracket. Ensure the hooks on either side of the lower bracket rest in the slots on each side of the mounting bracket.

Important: If the motor assembly is mounted improperly, the motor housing will not fit and the fan will most likely wobble.

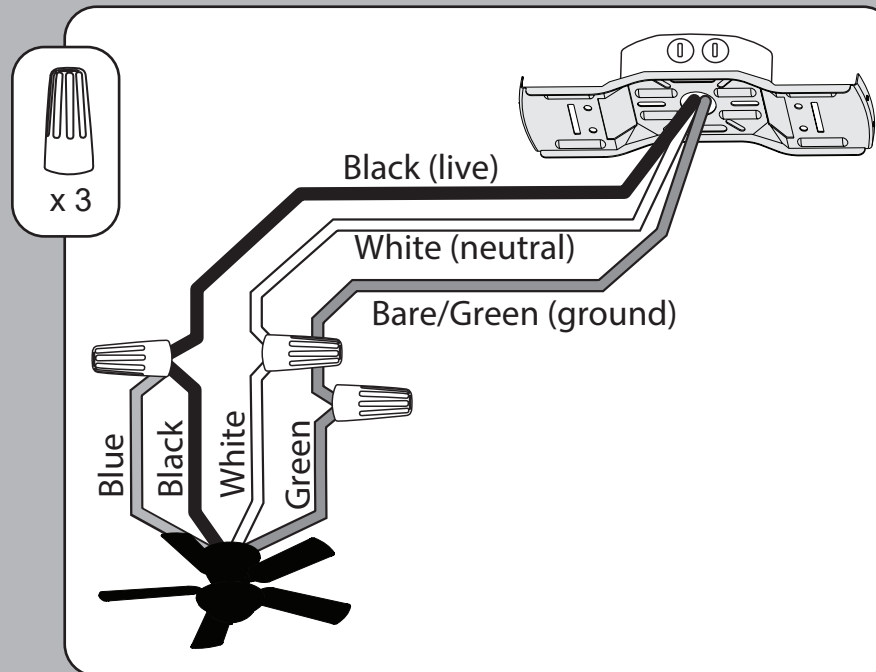
ASSEMBLY INSTRUCTIONS



4. Secure the fan assembly using the lower bracket screws.

Use the four previously removed mounting bracket screws to secure the lower bracket to the mounting bracket.

Note: If your fan includes a remote control, please use the wiring instructions in the remote insert instead of the wiring instructions in the next step.



5. Wire the fan.

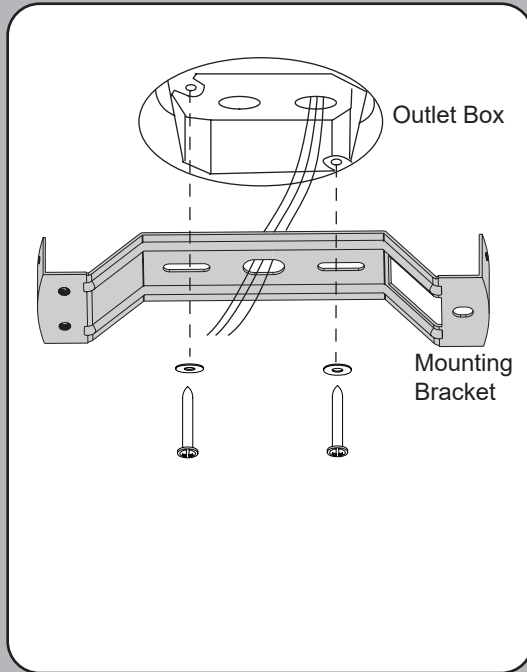
Connect supply and fan wires with wire connectors according to the diagram and these steps:

- Connect the green wire from the lower mounting bracket to the bare/green (ground) supply wire.
- Connect the white wire from the fan to the white (neutral) supply wire.
- Connect the blue and black wires from the fan to the black (hot) supply wire.

Note: The black fan wire is the power for the fan. The blue fan wire is the power for the light. Once the wires are connected, ensure all wire connections are pushed up into the outlet box with black and white connections on opposite sides of the outlet box.

Skip to page 9.

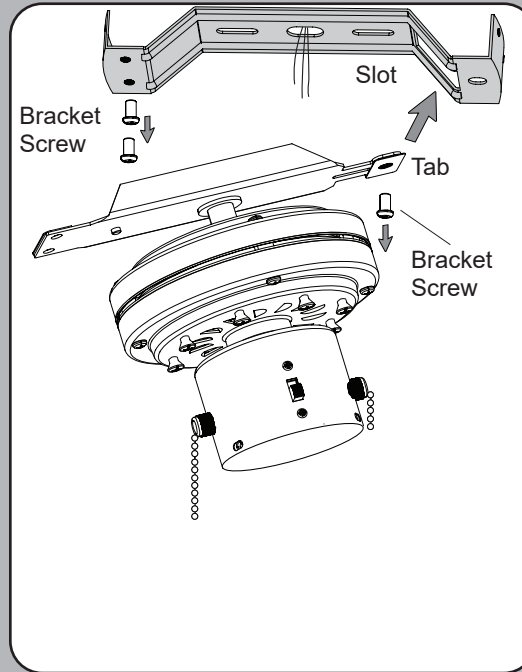
ASSEMBLY INSTRUCTIONS



6. Attach the upper mounting bracket to the outlet box.

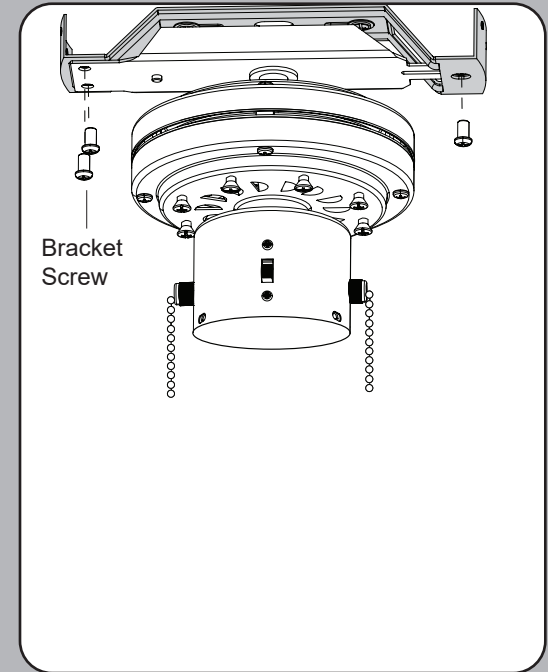
Secure the mounting bracket to the outlet box using screws and washers provided with the outlet box (not included).

Note: It is very important to use the proper hardware when installing the mounting bracket as it will support the fan.



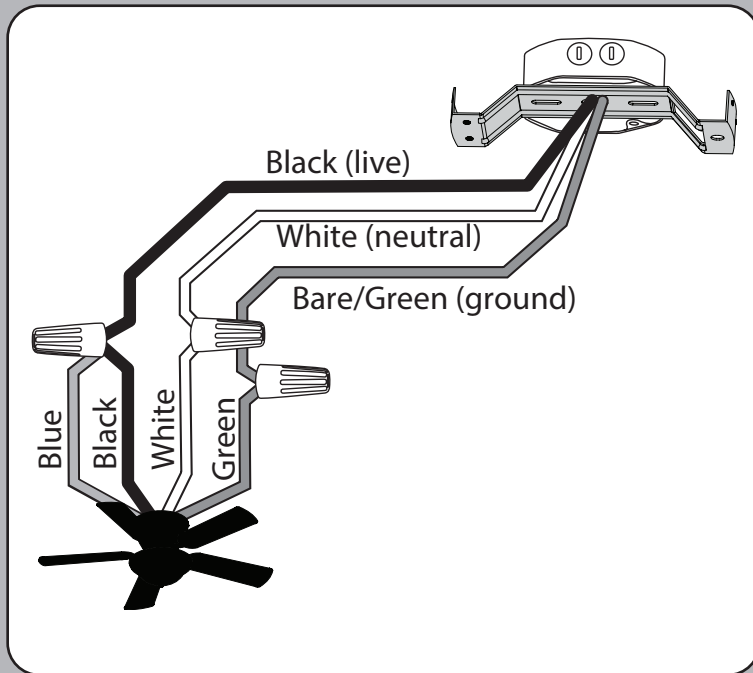
7. Remove bracket screws and hang the lower bracket.

Remove the preassembled bracket screws from the mounting bracket and the lower bracket. Then, insert the tab of the lower bracket into the slot in the upper mounting bracket.



8. Reinstall the three bracket screws.

ASSEMBLY INSTRUCTIONS



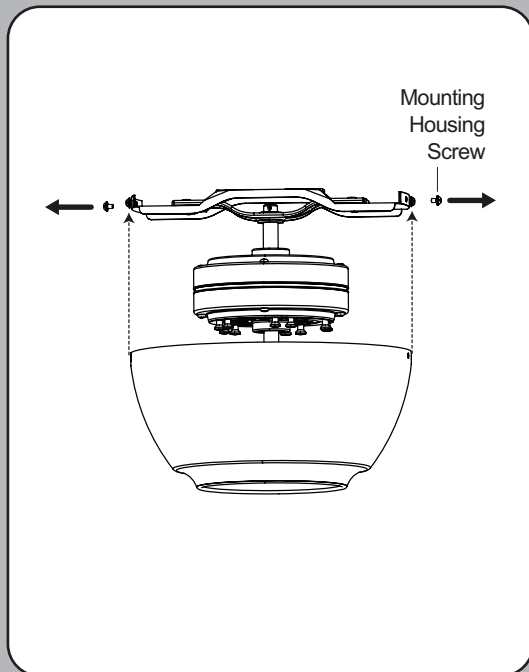
9. Wire the fan.

Connect supply and fan wires with wire connectors according to the diagram and these steps:

- Connect the green wire from the lower mounting bracket to the bare/green (ground) supply wire.
- Connect the white wire from the fan to the white (neutral) supply wire.
- Connect the blue and black wires from the fan to the black (hot) supply wire.

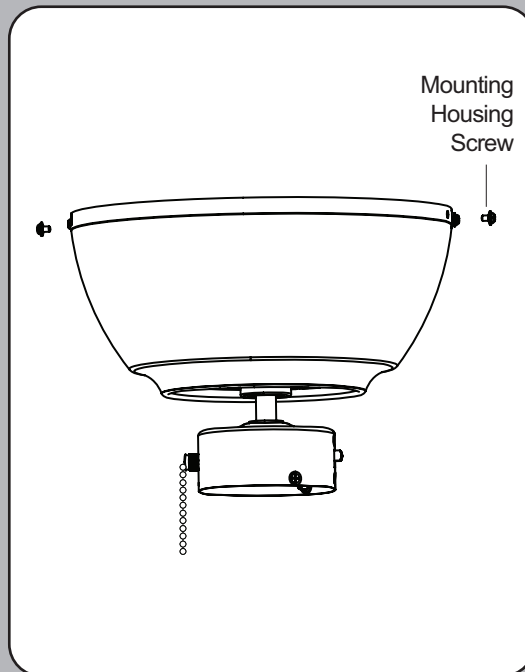
Note: The black fan wire is the power for the fan. The blue fan wire is the power for the light. Once the wires are connected, ensure all wire connections are pushed up into the outlet box with black and white connections on opposite sides of the outlet box.

ASSEMBLY INSTRUCTIONS



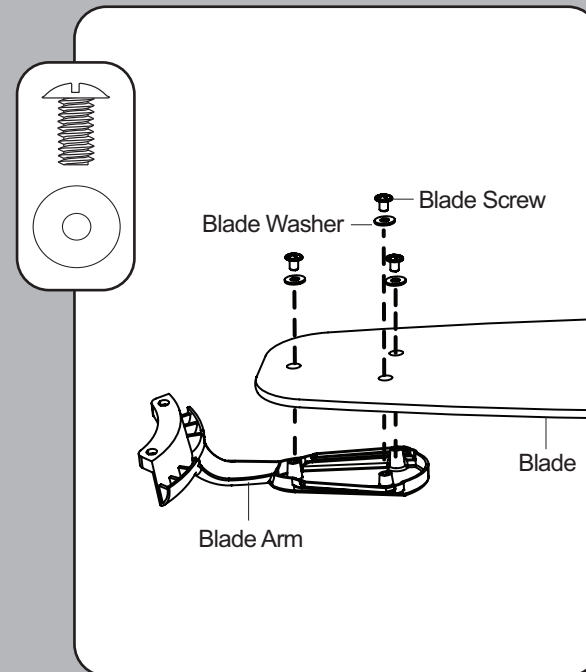
10. Remove two motor housing screws.

Temporarily lift the motor housing to the upper mounting bracket to determine which two motor housing screws in the sides of the mounting bracket align with the slotted holes in the top edge of the motor housing. Partially loosen the two motor housing screws that align with the slotted holes. Remove the other two motor housing screws from opposite sides of the mounting bracket.



11. Attach the motor housing to the mounting bracket.

Slide the motor housing over the motor, aligning the slotted holes in the motor housing with the loosened motor housing screws in the mounting bracket. Twist the motor housing to lock into place. Then re-insert the two previously removed motor housing screws and securely tighten all four screws.

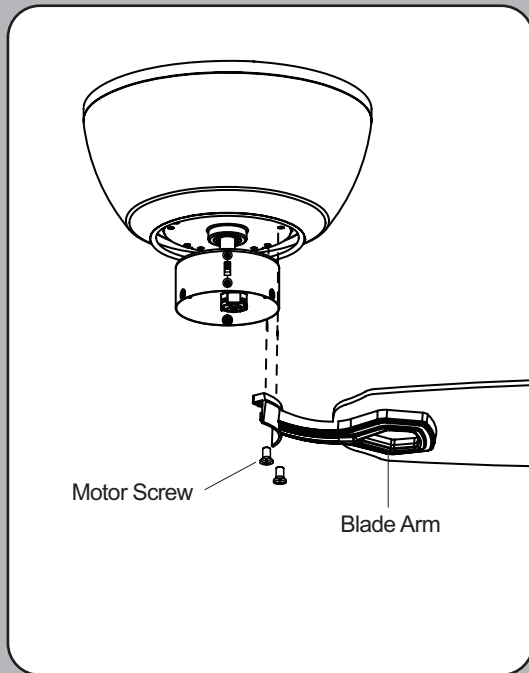


12. Attach blades to blade arms.

Partially insert three blade screws along with the three blade washers through one blade and into the blade arm. Tighten each screw, starting with the one in the middle. Repeat this step for remaining blades and blade arms.

Note: Outdoor fans may have an additional washer for each blade screw.

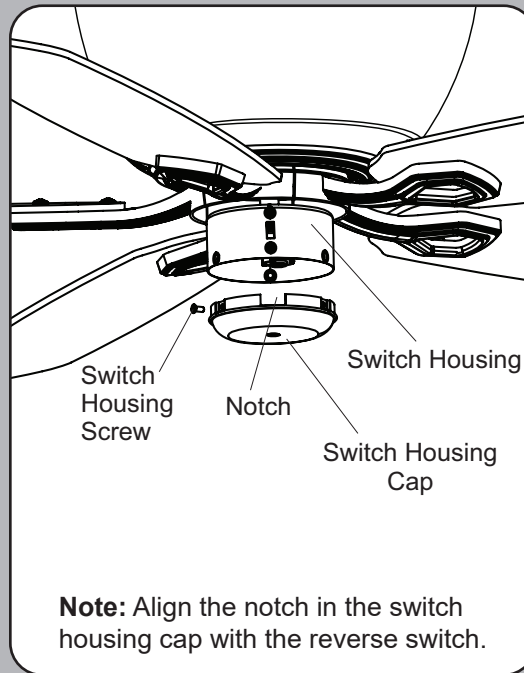
ASSEMBLY INSTRUCTIONS



13. Attach blades to blade arms.

Secure the blade arm to the underside of the motor using motor screws. Completely secure each blade arm to the motor before moving to the next.

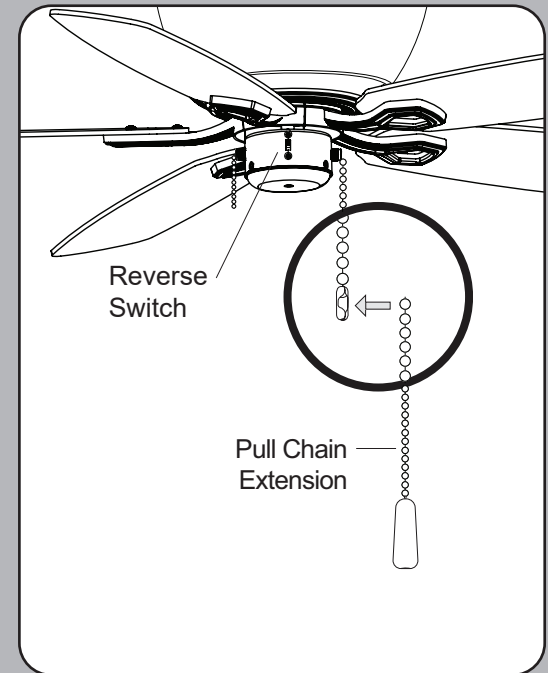
To install the fan with an optional light kit, proceed to page 11.



Note: Align the notch in the switch housing cap with the reverse switch.

14. Install the switch housing cap.

Remove the three switch housing screws from the switch housing cap. Attach the switch housing cap to the switch housing using the three switch housing screws.

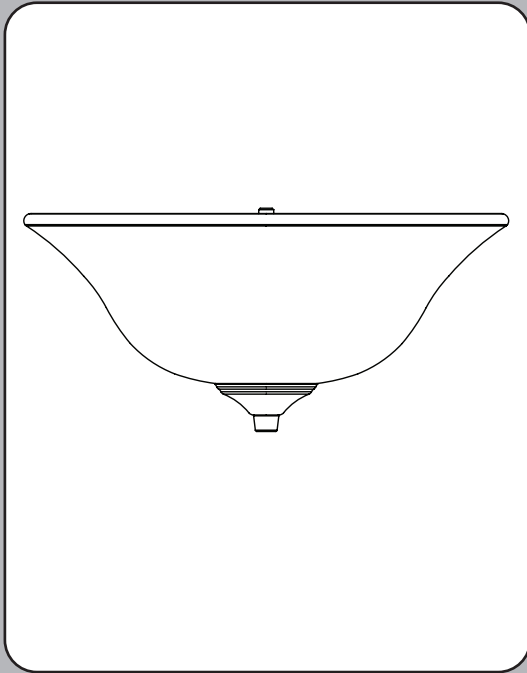


15. Attach the pull chain extension to the pull chain.

Note: When facing the reverse switch, the fan pull chain will be on the right. If installing the fan without a light kit, do not add a pull chain extension to the pull chain on the left.

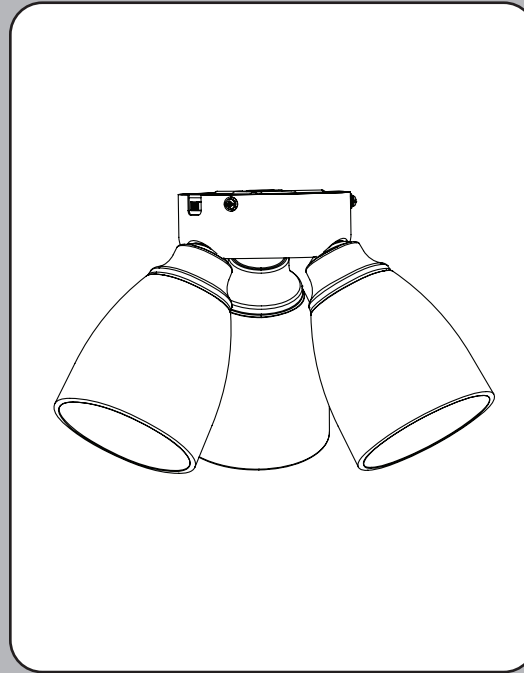
Installation is complete. Turn on power to the fan at the breaker box and at the wall switch.

OPTIONAL LIGHT KIT INSTALLATION - (Identify Your Light Kit)



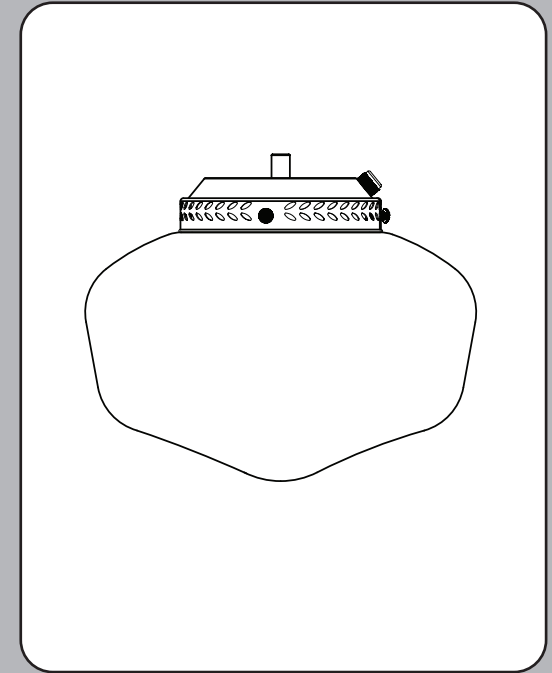
Bowl Light Kit

If your light kit resembles the Bowl Light Kit, turn to page 12 for installation instructions.



Multi-Arm Light Kit

If your light kit resembles the Multi-Arm Light Kit, turn to page 14 for installation instructions.

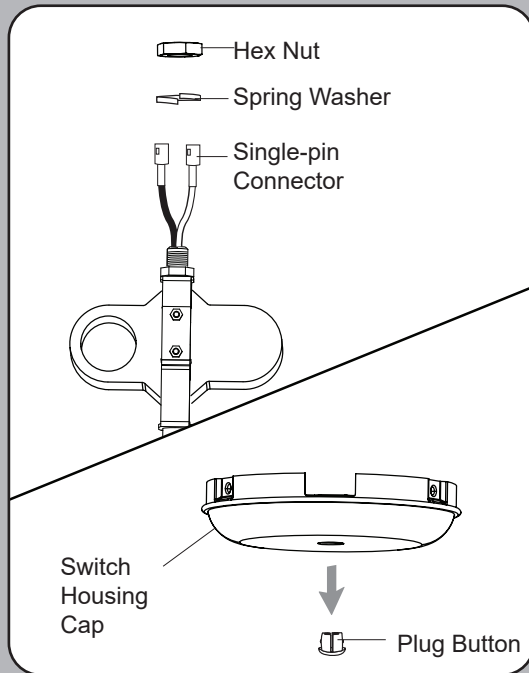


Globe Light Kit

If your light kit resembled the Globe Light Kit, turn to page 15 for installation instructions.

Note: If your light kit is already installed to the fan's switch housing, skip ahead to Step 2 on page 15.

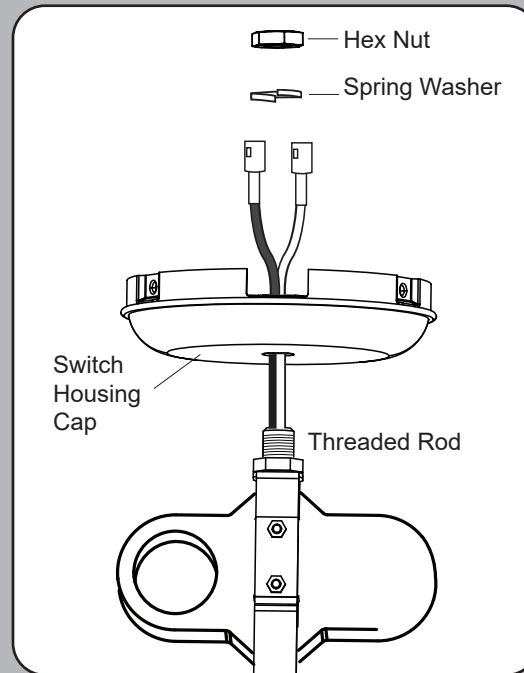
LIGHT KIT INSTALLATION - (Bowl Light Kit)



1. Remove hex nut and spring washer from light kit.

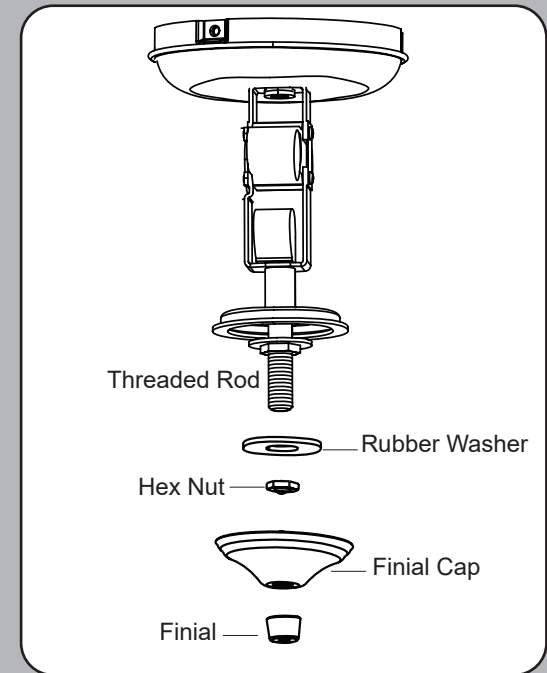
Remove the hex nut and spring washer from the threaded rod at the top of the light kit. Then, remove the plug button from the switch housing cap.

Note: If the switch housing cap is already attached to the light kit, skip to Step 3.



2. Secure the switch housing cap to the light kit.

Thread the single-pin connectors through the hole in the switch and twist the switch housing cap onto the threaded rod at the top of the light kit.

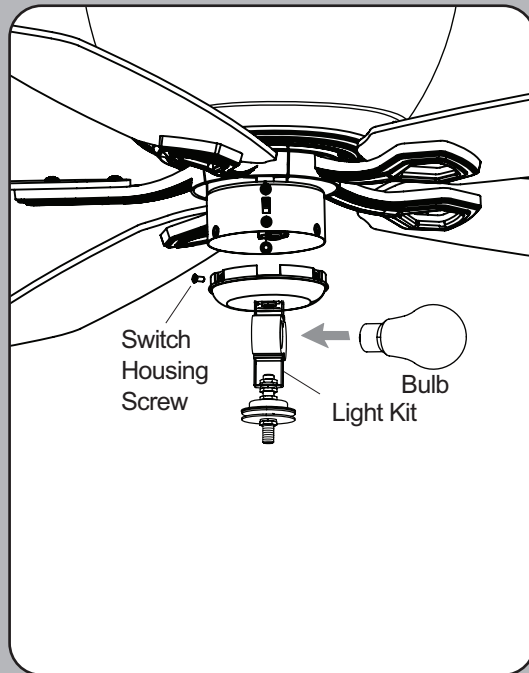


3. Remove hex nut and spring washer from light kit.

Remove the finial, finial cap, hex nut, and rubber washer from the threaded rod at the bottom of the light kit.

Note: Some light kits do not include a rubber washer and hex nut. If that is the case, use only the finial cap and finial to secure the glass bowl.

LIGHT KIT INSTALLATION - (Bowl Light Kit)

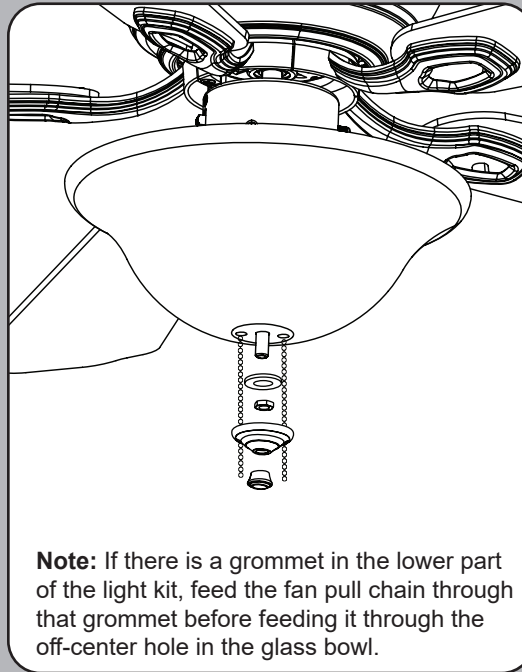


4. Attach the switch housing cap to the switch housing and install bulbs.

Remove the three switch housing screws from the top edge of the switch housing cap and use them to attach the switch housing cap along with the light kit to the switch housing.

Note: When necessary, replace bulbs with a bulb with the same socket size as the original bulb. Total maximum wattage is 180W.

Important: Some ceiling fan light kits come with a 180W limiter. If the total watts of the lights is over 180W, the lights do not work. Please replace the bulbs with lower wattage bulbs.

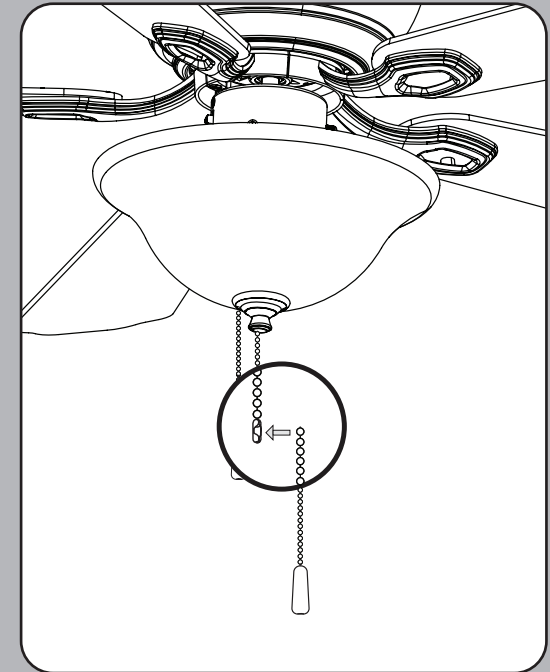


6. Install the glass bowl.

Feed the pull chains coming from the switch housing through the off-center holes in the glass bowl. Then, lift the glass bowl over the threaded rod at the bottom of the light kit.

If there is a rubber washer and hex nut, use them to secure the glass bowl and then reinstall the finial cap and finial.

If there is not a rubber washer and hex nut, use the finial cap and finial to secure the glass bowl.

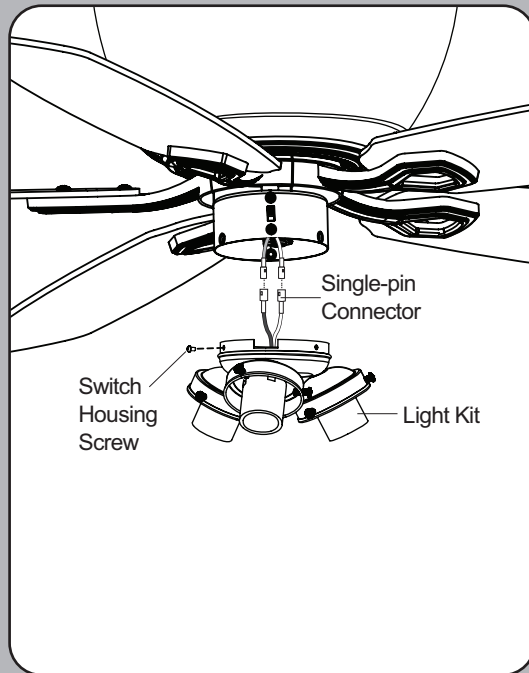


6. Attach pull chain extensions to pull chains.

Note: When facing the reverse switch, the fan pull chain will be on the right and the light pull chain will be on the left.

Installation is complete. Turn on power to the fan at the breaker box and at the wall switch.

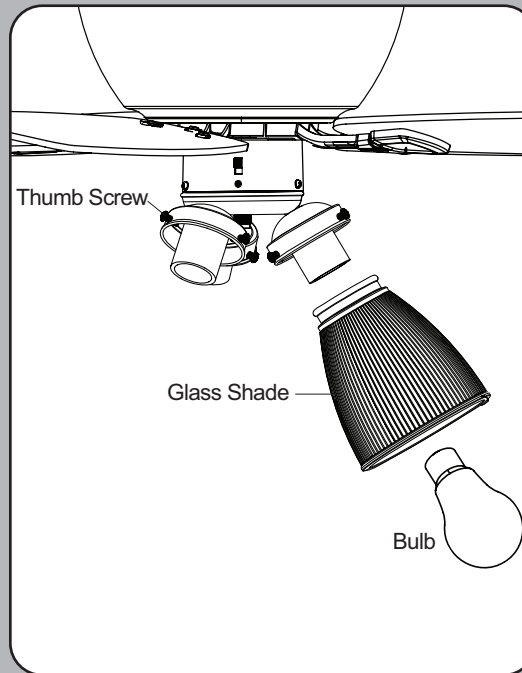
LIGHT KIT INSTALLATION - (Multi-Arm Light Kit)



1. Attach the switch housing cap to the switch housing.

Remove the three switch housing screws from the top edge of the light kit. Then, connect the wire connectors (single-pin connector or 9-pin connector) from the fan to the light kit. Then, use the three switch housing screws to attach the light kit to the switch housing.

Note: Some switch housing screws may have star washers on them. If so, remove and reinstall the star washers along with the switch housing screws.

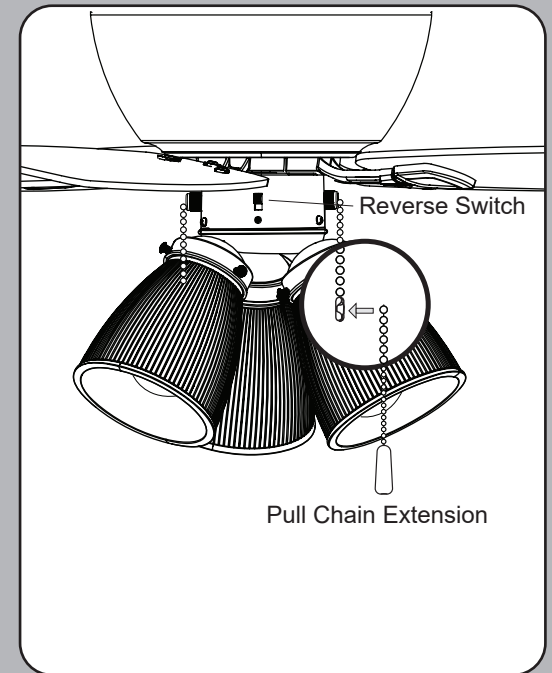


2. Install glass shades and bulbs.

Loosen the thumbscrews on the light cups of the light kit. Lift the glass shade into the light cup and tighten the thumbscrews to secure the glass shades.

Note: If your light kit does not have thumbscrews, unscrew the socket ring from the socket. Lift the glass shade over the socket and re-install the socket ring to secure the glass shade.

Important: Some ceiling fan light kits come with a 180W limiter. If the total watts of the lights is over 180W, the lights do not work. Please replace the bulbs with lower wattage bulbs.

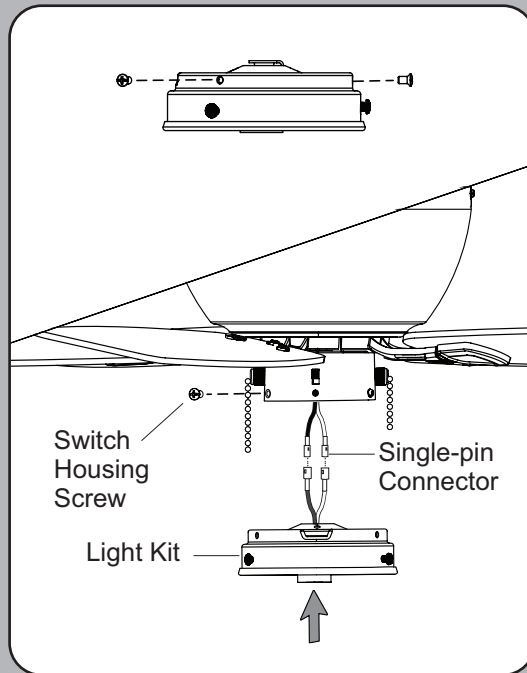


3. Attach pull chain extensions.

Note: When facing the reverse switch, the fan pull chain will be on the right and the light pull chain will be on the left.

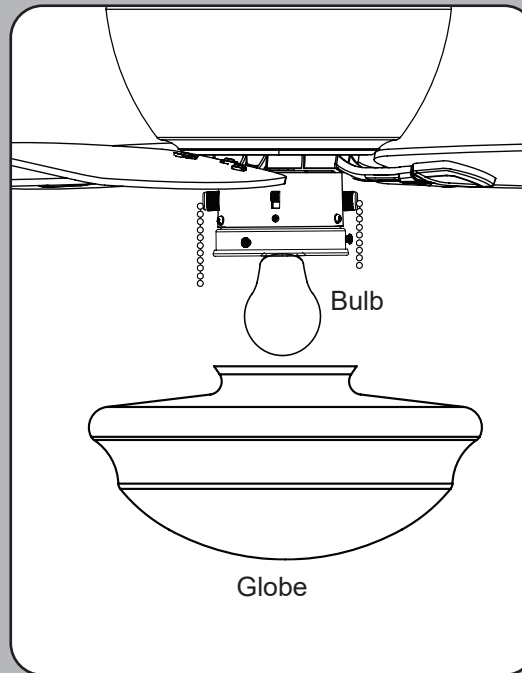
Installation is complete. Turn on power to the fan at the breaker box and at the wall switch.

LIGHT KIT INSTALLATION - (Globe Light Kit)



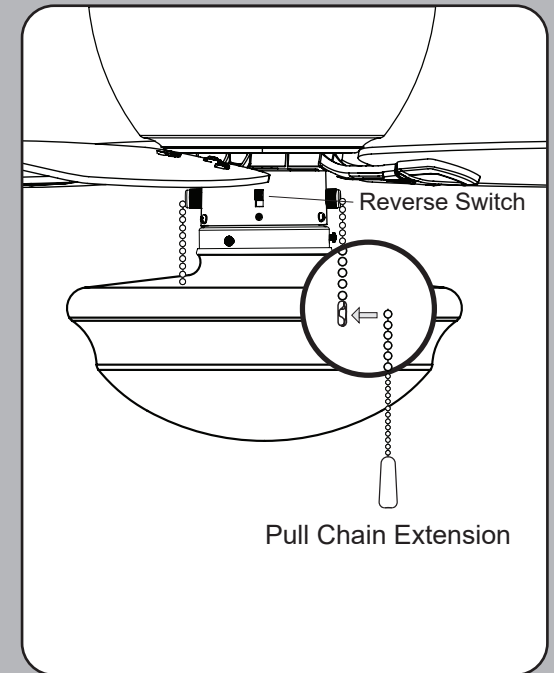
1. Attach the light kit to the switch housing.

Remove the three switch housing screws from the top edge of the light kit. Then connect the single-pin connectors from the switch housing to the light kit -- blue to black and white to white.



2. Install bulb and attach globe.

To attach the globe, loosen the thumbscrews in the sides of the light kit. Then lift the glass into the bottom of the light kit and re-tighten the thumbscrews to secure the glass.



3. Attach pull chain extensions.


Note: When facing the reverse switch, the fan pull chain will be on the right and the light pull chain will be on the left.


Installation is complete. Turn on power to the fan at the breaker box and at the wall switch.


SAFETY INFORMATION


Please read and understand this entire manual before attempting to assemble, operate or install the product.


- Before you begin installing the fan, disconnect the power by removing fuses or turning off the circuit breakers.
- Make sure all electrical connections comply with local codes, ordinances, the National Electrical Code and ANSI/NFPA 70-199. Hire a qualified electrician or consult a do-it-yourself wiring handbook if you are unfamiliar with installing electrical wiring.
- Make sure the installation site you choose allows a minimum clearance of 7 ft. from the blades to the floor and at least 30 in. from the end of the blades to any obstruction.


 **DANGER:** When using an existing outlet box, make sure the outlet box is securely attached to the building structure and can support the full weight of the fan. Failure to do this can result in serious injury or death. The stability of the outlet box is essential in minimizing wobble and noise in the fan after installation is complete.

 **WARNING:** To avoid personal injury, the use of gloves may be necessary while handling fan parts with sharp edges.

 **WARNING:** Using a full-range dimmer switch to control fan speed will cause a loud humming noise from the fan. To reduce the risk of fire or electric shock, do NOT use a full-range dimmer switch to control the fan speed.

 **WARNING:** To reduce the risk of fire, electric shock or personal injury, mount the fan to an outlet box marked “ACCEPTABLE FOR FAN SUPPORT” and use the mounting screws provided with the outlet box. Most outlet boxes commonly used for the support of lighting fixtures are not acceptable for fan support and may need to be replaced. Consult a qualified electrician if in doubt. Secure the outlet box directly to the building structure. The outlet box and its support must be able to support the moving weight of the fan (at least 35 lbs.).

 **WARNING:** To reduce the risk of fire, electric shock or personal injury, wire connectors provided with this fan are designed to accept only one 12-gauge house wire and two lead wires from the fan. If your house wire is larger than 12-gauge and/or there is more than one house wire to connect to the two fan lead wires, consult an electrician for the proper size wire connectors to use.

 **WARNING:** To reduce the risk of fire, electric shock or personal injury, do not bend the blade arms when installing them, balancing the blades or cleaning the fan. Do not insert objects between the rotating fan blades.

 **WARNING:** To reduce the risk of personal injury, use only parts provided with this fan. The use of parts OTHER than those provided with this fan will void the warranty.

CAUTION: Be sure the outlet box is properly grounded or a ground (green or bare) wire is present.

CAUTION: Carefully check all screws, bolts, and nuts on the fan assembly ensure they are secured.

CARE AND MAINTENANCE

At least twice each year, lower the canopy to check the downrod assembly and tighten all screws on the fan. Clean the motor housing with only a soft brush or lint-free cloth to avoid scratching the finish. Clean the blades with a lint-free cloth.

Important: Shut off the main power supply before you begin any maintenance task. Do NOT use water or a damp cloth to clean the fan.

TROUBLESHOOTING

PROBLEM	CORRECTIVE ACTION
The fan does not move.	<ol style="list-style-type: none">1. Firmly push the reverse switch completely to one side or the other. The fan will not move with the switch in the middle position.2. Make sure the wall switch is turned on.3. Ensure power is on at wall switch and breaker box4. Turn the power off and check all wire connections at the ceiling outlet box.
The fan is noisy.	<ol style="list-style-type: none">1. Check and tighten all screws that hold the fan blades to the blade arms and motor.2. Replace any blade that is cracked or damaged.3. Do not use a variable-speed wall control to control the fan speed.4. Ensure the outlet box is securely mounted to the building structure.5. Ensure the mounting bracket is securely mounted to the outlet box.
The fan wobbles excessively.	<ol style="list-style-type: none">1. Tighten all screws that hold the fan blades to the blade arms and blade arms to motor.2. Switch one blade with a blade from the opposite side. Or balance the fan using the blade balancing kit.3. Turn off power. Loosen the canopy and verify that the mounting bracket is secure to the electrical outlet box. The mounting bracket must be flush without movement against the outlet box.4. Ensure the mounting bracket is securely mounted to the outlet box.
The fan operates correctly but the lights are not working.	<ol style="list-style-type: none">1. Install new bulbs.2. Ensure the single-pin connectors from the switch housing to the light kit are connected properly.3. Turn the power off and check all wire connections between the fan and outlet box.

LIMITED LIFETIME WARRANTY

The manufacturer warrants this fan to be free from defects in workmanship and materials present at time of shipment from the factory for a lifetime from the date of purchase by the original purchaser. The retailer also warrants that all other fan parts, excluding any glass or acrylic blades, to be free from defects in workmanship and material at the time of shipment from the factory for a period of one year after the date of purchase by the original purchaser. The manufacturer agrees to correct such defects without charge or at its option replace the ceiling fan with a comparable or superior model.

To obtain warranty service, present a copy of the receipt as proof of purchase. All costs of removing and reinstalling the product are your responsibility. Any damage to any part such as by accident or misuse or improper installation or by affixing any accessories, is not covered by this warranty. The manufacturer assumes no responsibility whatsoever for fan installation during the limited lifetime warranty. Any service performed by an unauthorized person will render the warranty invalid.

Due to varying climate conditions, this warranty does not cover any changes in brass finish, including rusting, pitting, corroding, tarnishing or peeling. Brass finishes of this type give their longest useful life when protected from varying weather conditions. Any glass provided with this fan is not covered by the warranty.

Any replacement of defective parts from the ceiling fan must be reported within the first year from the date of purchase. For the balance of the warranty, call our customer service department for return authorization and shipping instructions so that we may repair or replace the ceiling fan. Any fan or parts returned improperly is the sole responsibility of the purchaser. There is no other expressed warranty. The manufacturer disclaims any and all warranties. The duration of any implied warranty which cannot be disclaimed is limited to the time period as specified in the expressed warranty. The manufacturer shall not be liable for incidental, consequential, or special damages arising out of or in connection with product use or performance except as may otherwise be accorded by law. This warranty gives specific legal rights, and you may also have other rights which vary from state to state.

This warranty supersedes all prior warranties.

Note: A small amount of “wobble” is normal and should not be considered a defect.