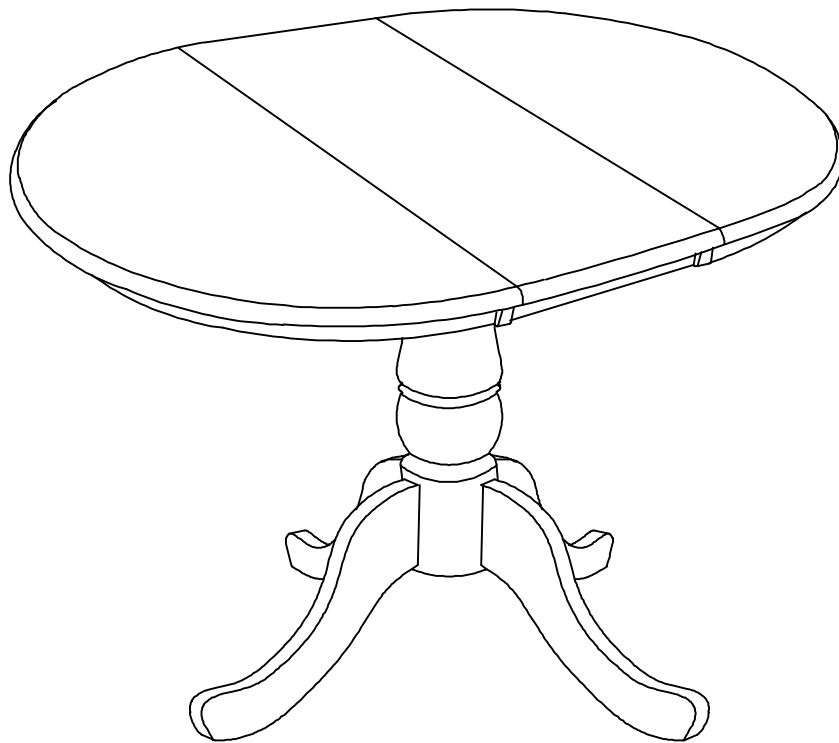


ASSEMBLY INSTRUCTIONS



Description : 36X36X48 DINING TOP

BEFORE ASSEMBLY

IMPORTANT NOTE:

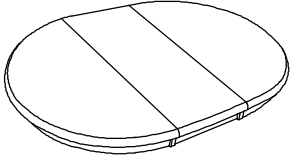
- Place all wooden parts on a clean and smooth surface such as a rug or carpet to avoid the parts from being scratched.
- Remove all wrapping material, including staples & packing straps before you start to assemble.
- DO NOT tighten all screws and bolts until completely assembled.
- Keep all hardware parts out of reach of children.

WARNING:

Long exposure to rubber or soft plastic may cause a chemical reaction and damage the finish of your table. Protect the surface of the table with cloth if you are using any product with rubber feet or base.



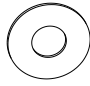

PART LIST

When unpacking, please be careful not to discard any parts with the packaging. Before continuing, please make sure you have the following parts:

NO	Description	Qty	Sketch	NO	Description	Qty	Sketch
A	Top	1					

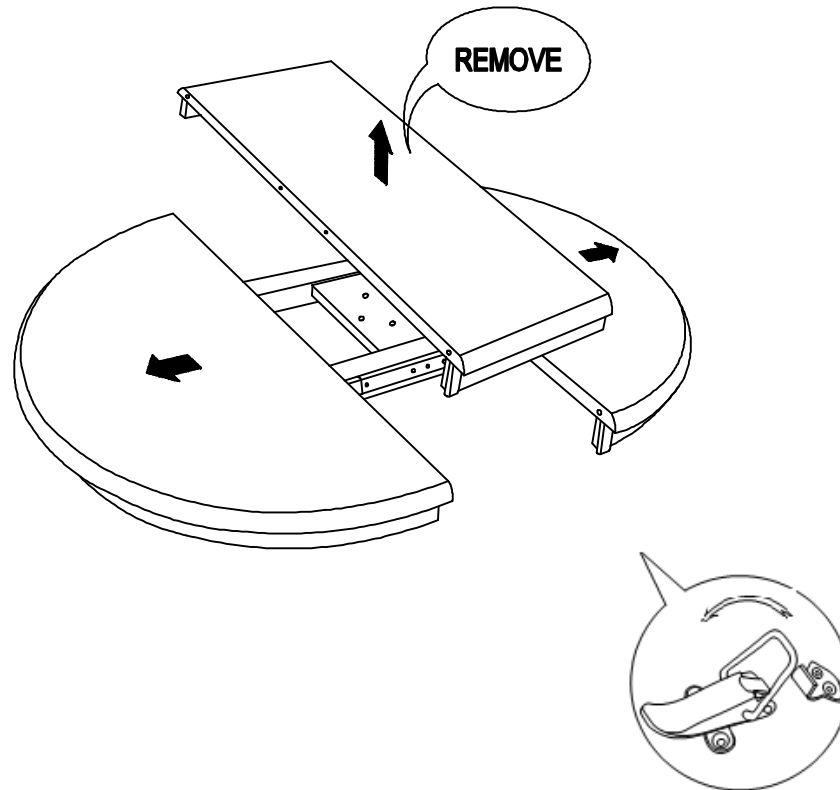
HARDWARE LIST

When unpacking, please be careful not to discard any parts with the packaging. Before continuing, please make sure you have all of the following hardware:

NO	Description	Qty	Sketch	NO	Description	Qty	Sketch
1	Bolt (M6x35mm)	4		2	Lock washer (Φ6.5x11mm)	4	
3	Flat washer (Φ6.5x13mm)	4		4	Allen Key (4x80mm)	1	

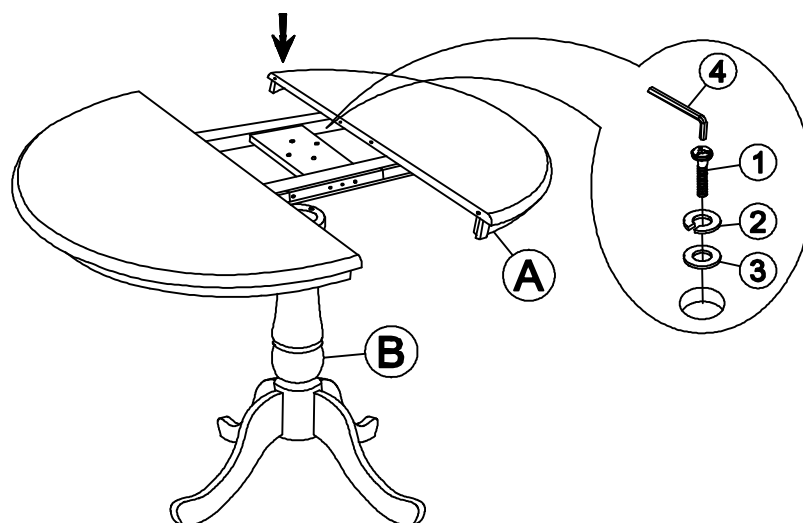
STEP 1

Unlock the table top on both sides from underneath the top. Pull the 2 parts of the table top apart and remove the leaf as shown below.



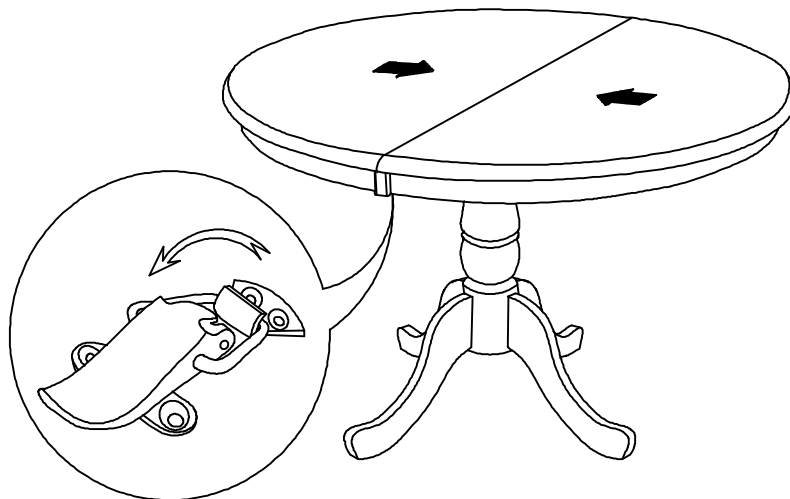
STEP 2

Attach Top (A) to the Base (B) by using bolts (1), and washers (2) and (3) as shown below. Tighten with Allen key (4).



STEP 3

Unlock the table top from both sides underneath of the top as shown below.
Pull the 2 parts of the table top apart.



STEP 4

Place the leaf in the center of the open table top. Push the table top closed. Lock the mechanism underneath 2 sides of the table top as shown below.

