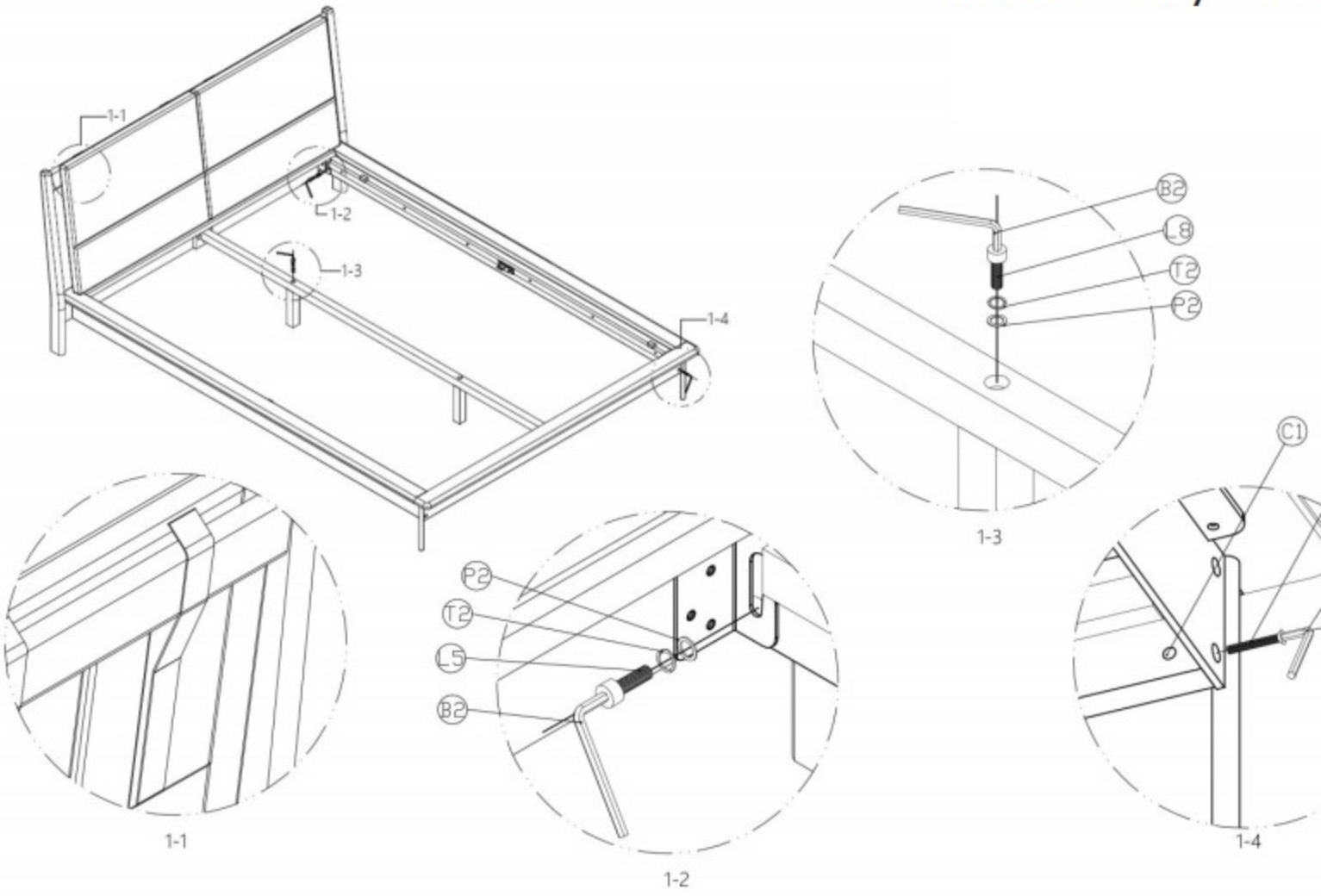


# Assembly Inst



# Instructions

