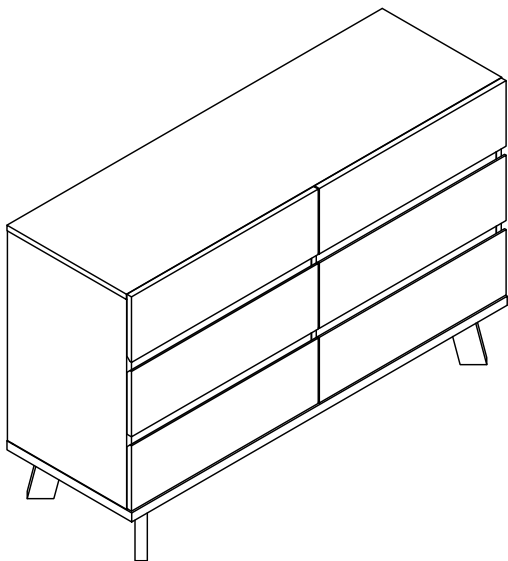


WOODEN DRAWER



If there are defective parts after unpackage, please contact us immediately

Important;

1. It's easier for 2 persons to install this item.
2. The metal frames have certain degrees of elasticity. Please DO NOT over tighten the screws during assembly. An over tightened screw can cause bent metal frame.
3. For a smooth assembly process, we suggest you keep a lite tightness for all the screws during assembly, after the whole item is assembled, firmly tightening all the screws.

Parts :

(A)



x66

(B)



x66

(C)

Ø8x40



x6

(D)

M7x50



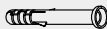
x15

(E)



x2

(F)



x2

(G)



x16

(H)

M3.5x14



x50

(I)

M3.5x35



x24

(J)



x4

(K)



x1

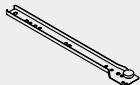
(L)

Ø20



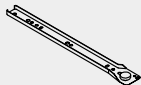
x24

CL



x6

CR



x6

DL



x6

DR

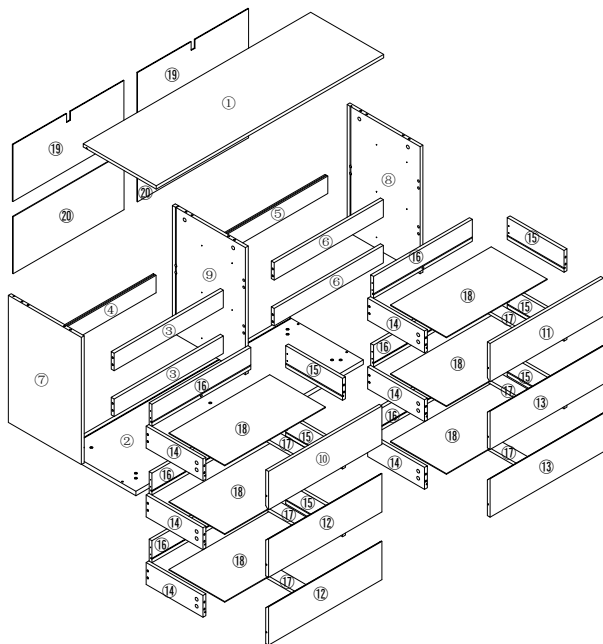


x6

(M)**M3x12****x16****(N)****M4x50****x2**

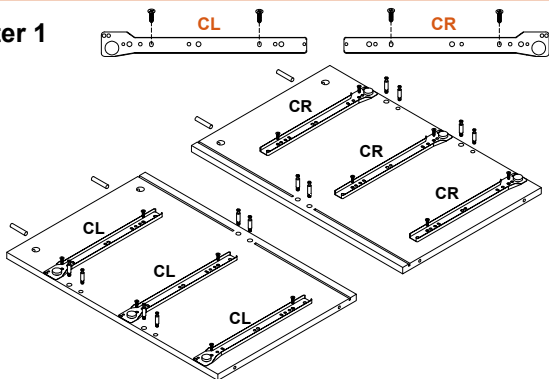
Attention : Do not tighten the screws until you have complete setup assembly.

Assembly Instruction :



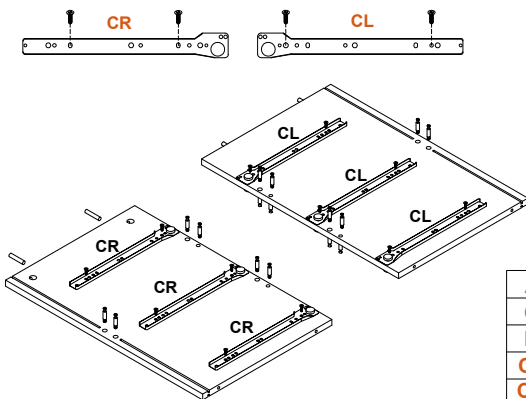
Assembly Instruction :

Ster 1



A	x12
C	x4
H	x12
CL	x3
CR	x3

Ster 2

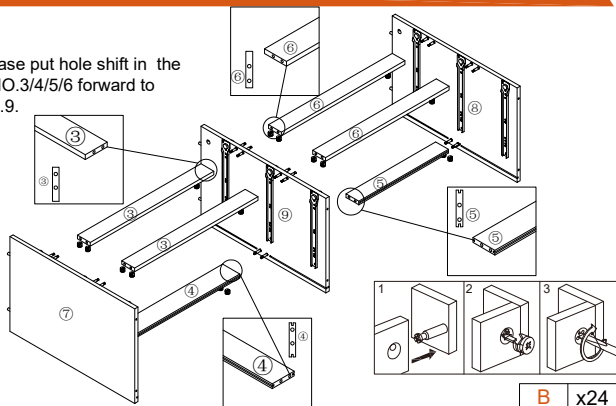


A	x12
C	x2
H	x12
CL	x3
CR	x3

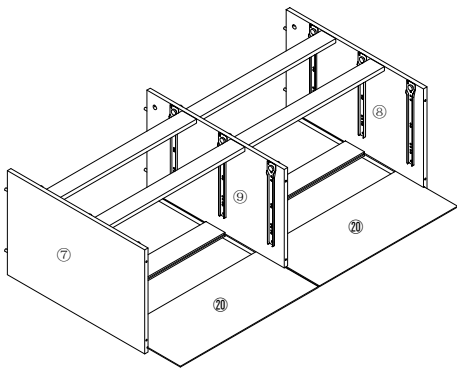
Assembly Instruction :

Ster 3

FYI: Please put hole shift in the strips of NO.3/4/5/6 forward to Board NO.9.

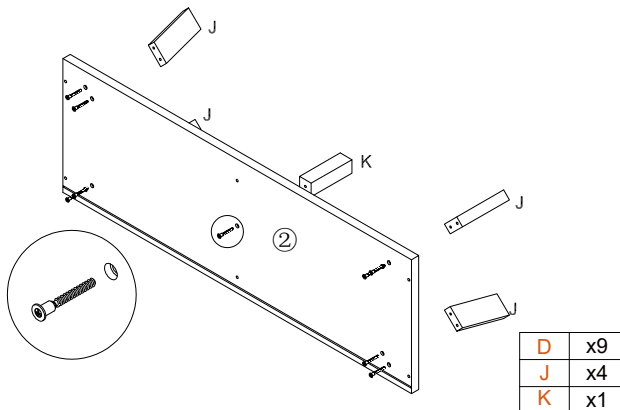


Ster 4

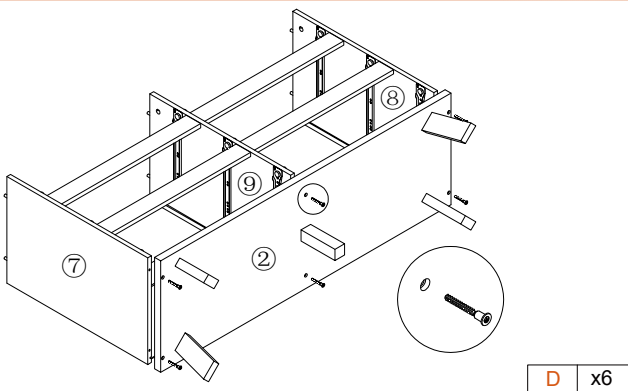


Assembly Instruction :

Ster 5

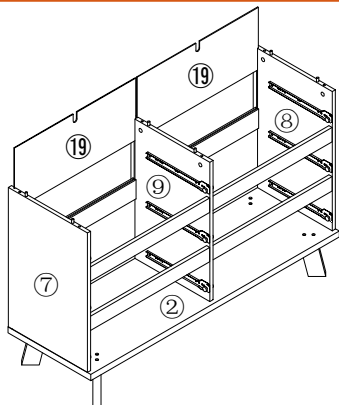


Ster 6

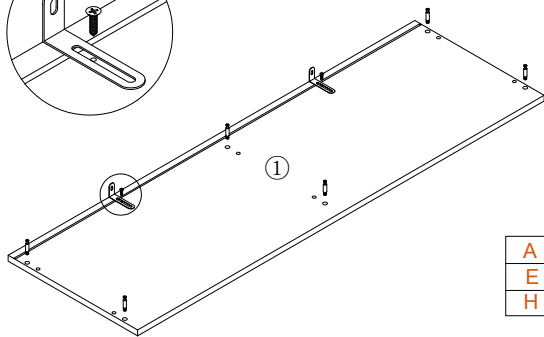
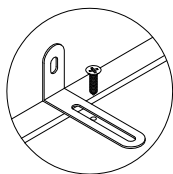


Assembly Instruction :

Ster 7



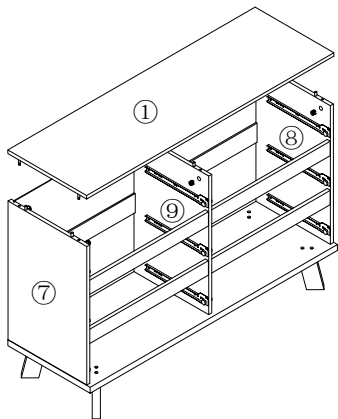
Ster 8



A	x6
E	x2
H	x2

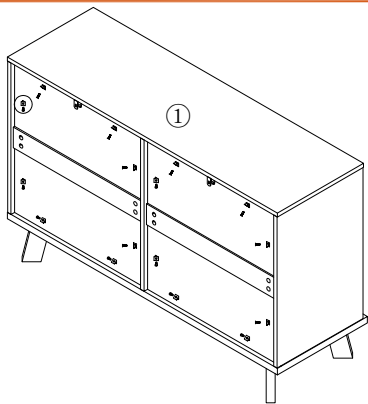
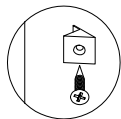
Assembly Instruction :

Ster 9



B	x6
---	----

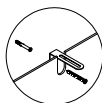
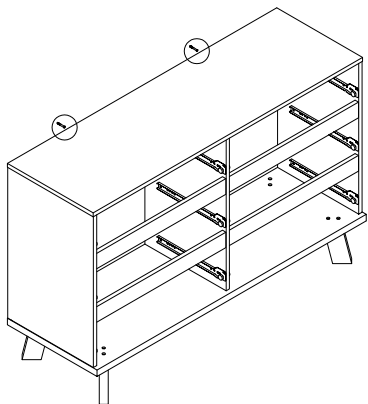
Ster 10



M	x16
G	x16

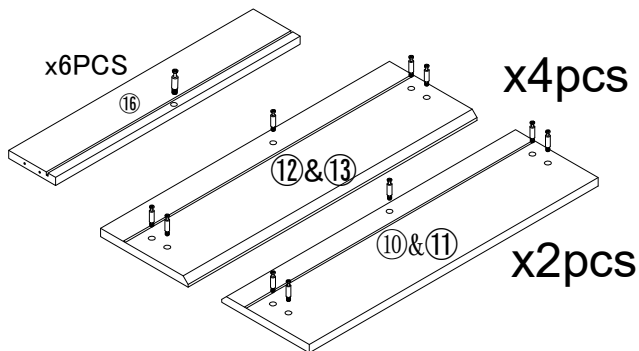
Assembly Instruction :

Ster 11



F	x2
N	x2

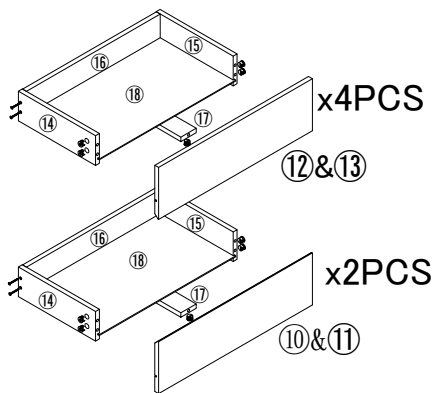
Ster 12



A	x36
---	-----

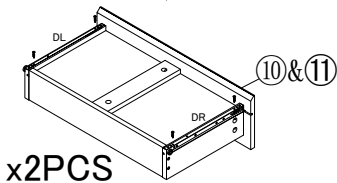
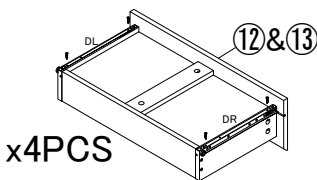
Assembly Instruction :

Ster 13



B	x36
I	x24

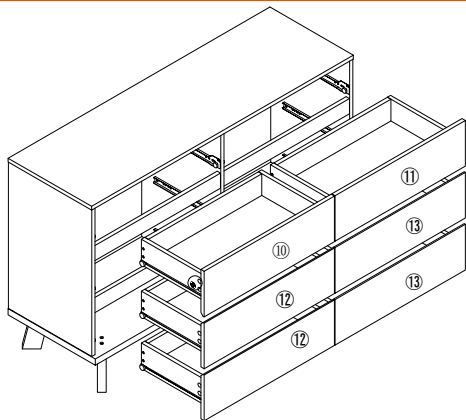
Ster 14



H	x24
DL	x6
DR	x6

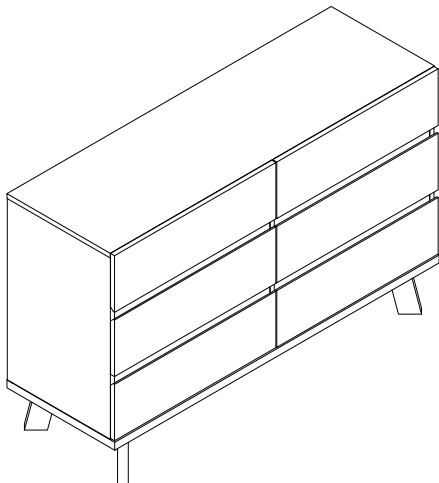
Assembly Instruction :

Ster 15



L x24

Ster 16



GENERAL GUIDELIES :

Please read the following instructions carefully and use the product accordingly.

Please keep this instruction and hand it over when you transfer the product.

This summary may not include every detail of all variations and considered steps.

Please contact us when further information and help are needed.

NOTES :

The product is intended for normal use only. The seller does not assume any responsibility or liability with respect to any damage caused by incorrect assembly or improper use.

Keep away from exposure and heat sources. Place it in a dry area to avoid peeling or fading.

Please check if there is any welding spatter or debris when you receive the product.

If there are defective or missing parts after unpacking, please contact us immediately.

Use soft cloth and neutral detergent to wipe it clean, then wipe dry. Do not use an abrasive agent to wipe the product.

WARNINGS :

During assembly, keep small parts out of the reach of children. It may be fatal if swallowed or inhaled.

To avoid potential danger of suffocation, keep all parts and packaging (films, plastic bags and foam, etc.) away from babies and children.

Keep away from sharp or corrosive items to avoid potential product damage or bodily injury.

