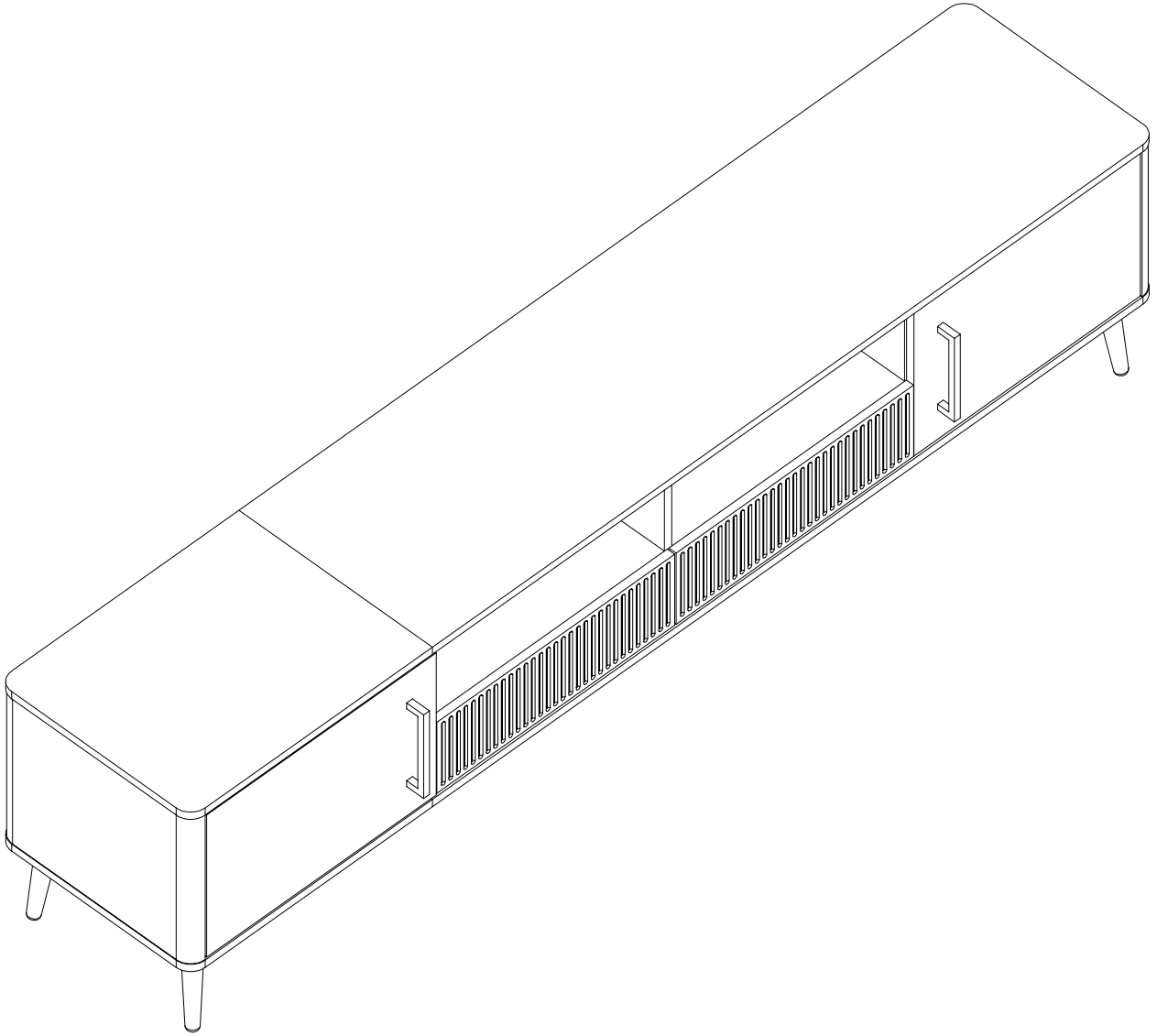


TV STAND

Assembly Instructions - Please keep for future reference.



DIMENSIONS

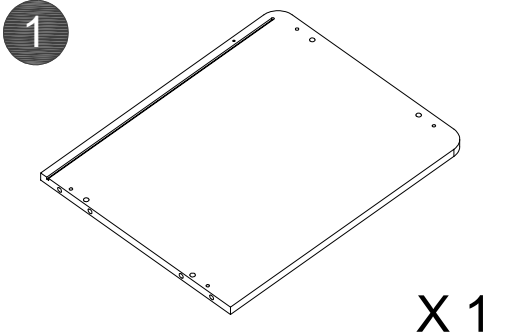
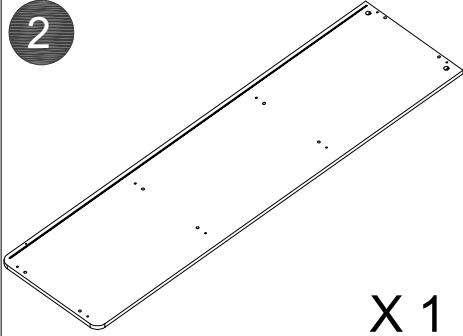
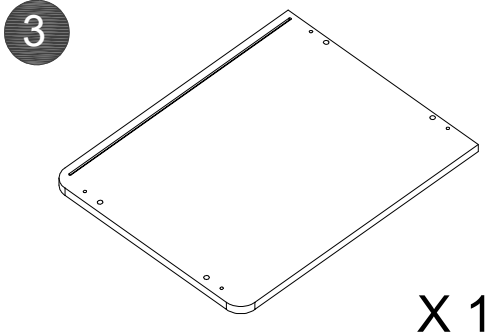
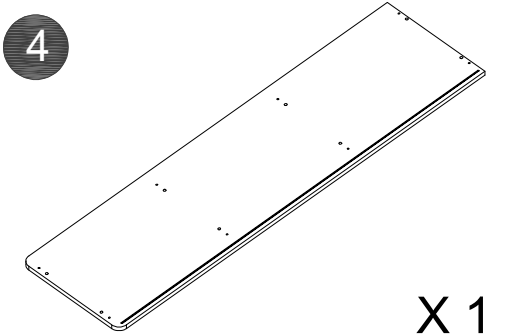
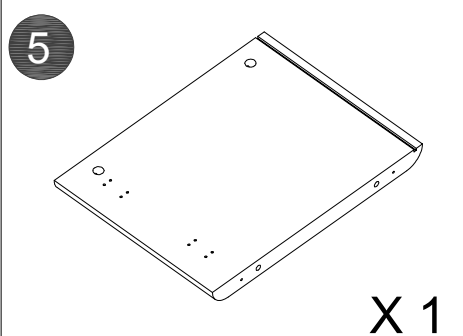
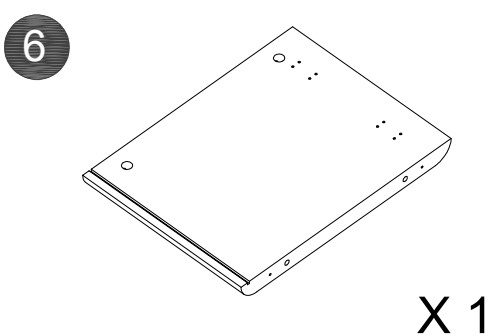
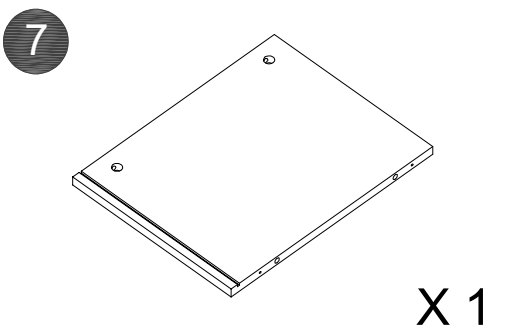
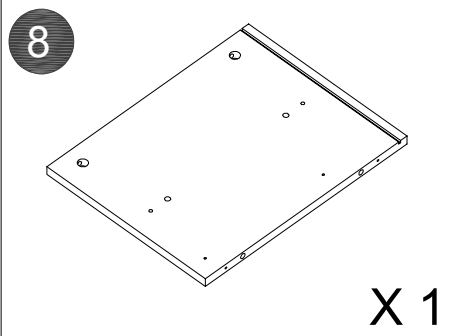
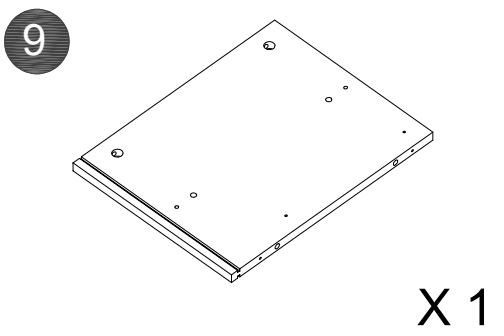
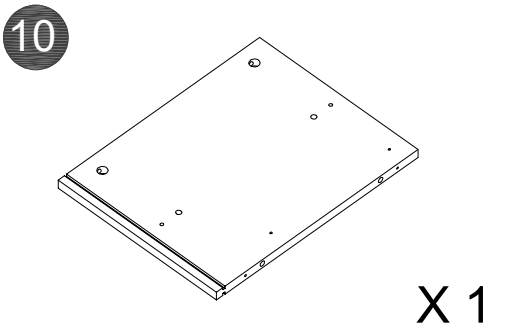
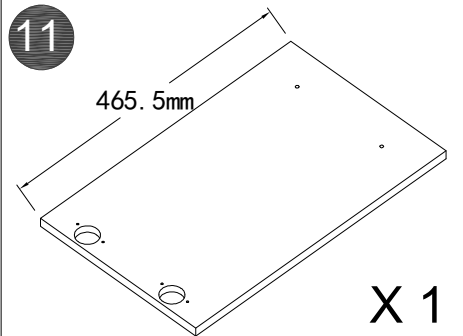
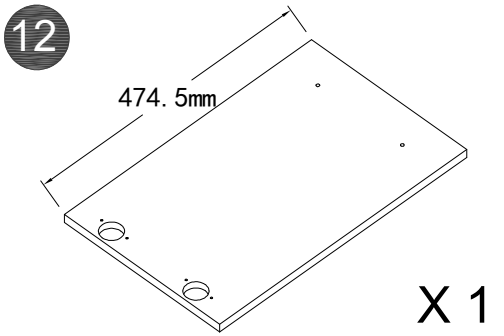
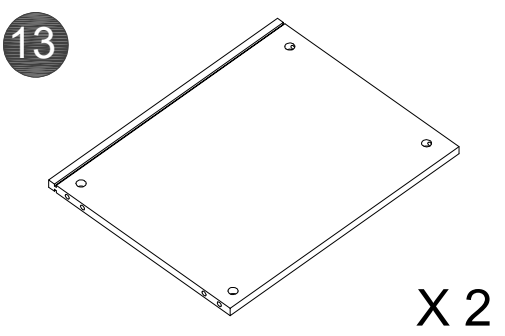
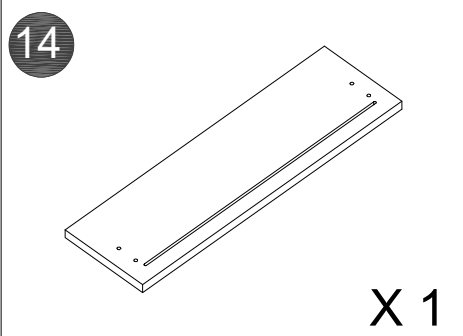
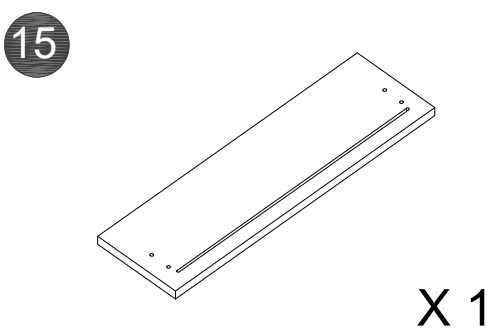
width-78.75inch
Depth-15.75inch
Height-19.29inch

Important - Please read these instructions fully before starting assembly.

components - fittings

Please check you have all the panels listed below.

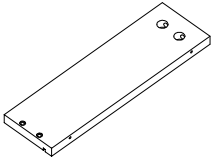
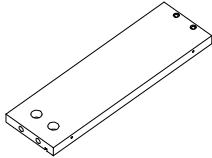
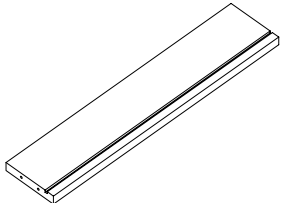
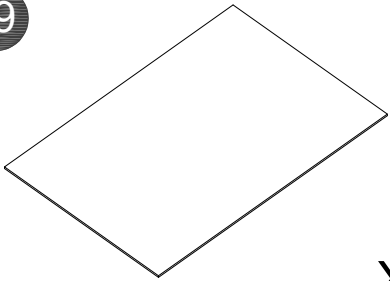
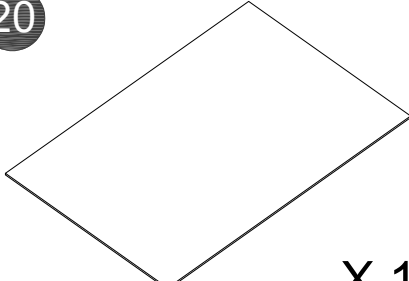
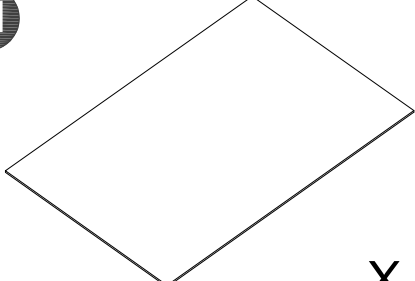
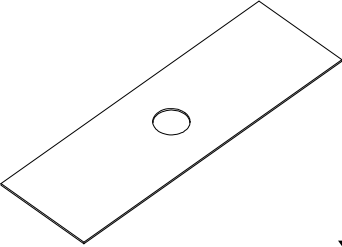
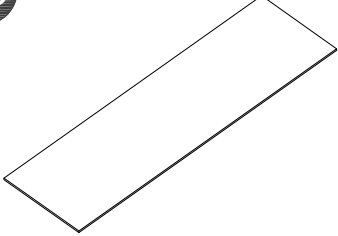


Note: The quantities below are the correct amount to complete the assembly. In some cases more fittings may be supplied than are required.

 <p>1</p> <p>X 1</p>	 <p>2</p> <p>X 1</p>	 <p>3</p> <p>X 1</p>
 <p>4</p> <p>X 1</p>	 <p>5</p> <p>X 1</p>	 <p>6</p> <p>X 1</p>
 <p>7</p> <p>X 1</p>	 <p>8</p> <p>X 1</p>	 <p>9</p> <p>X 1</p>
 <p>10</p> <p>X 1</p>	 <p>11</p> <p>465.5mm</p> <p>X 1</p>	 <p>12</p> <p>474.5mm</p> <p>X 1</p>
 <p>13</p> <p>X 2</p>	 <p>14</p> <p>X 1</p>	 <p>15</p> <p>X 1</p>

components - fittings

Please check you have all the panels listed below.

Note: The quantities below are the correct amount to complete the assembly. In some cases more fittings may be supplied than are required.




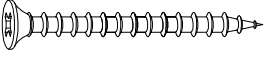
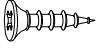
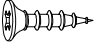
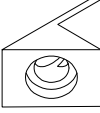

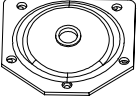
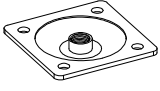
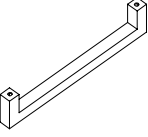



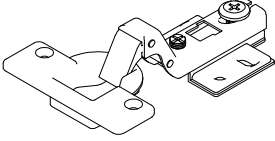

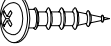

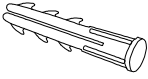
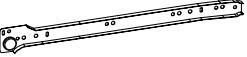
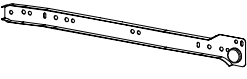
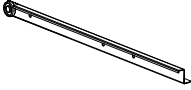
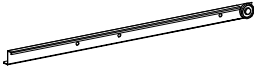
 <p>16</p> <p>X 2</p>	 <p>17</p> <p>X 2</p>	 <p>18</p> <p>X 2</p>
 <p>19</p> <p>X 2</p>	 <p>20</p> <p>X 1</p>	 <p>21</p> <p>X 1</p>
 <p>22</p> <p>X 2</p>	 <p>23</p> <p>X 2</p>	 <p>24</p> <p>X 4</p>
 <p>25</p> <p>X 3</p>		

components - fittings

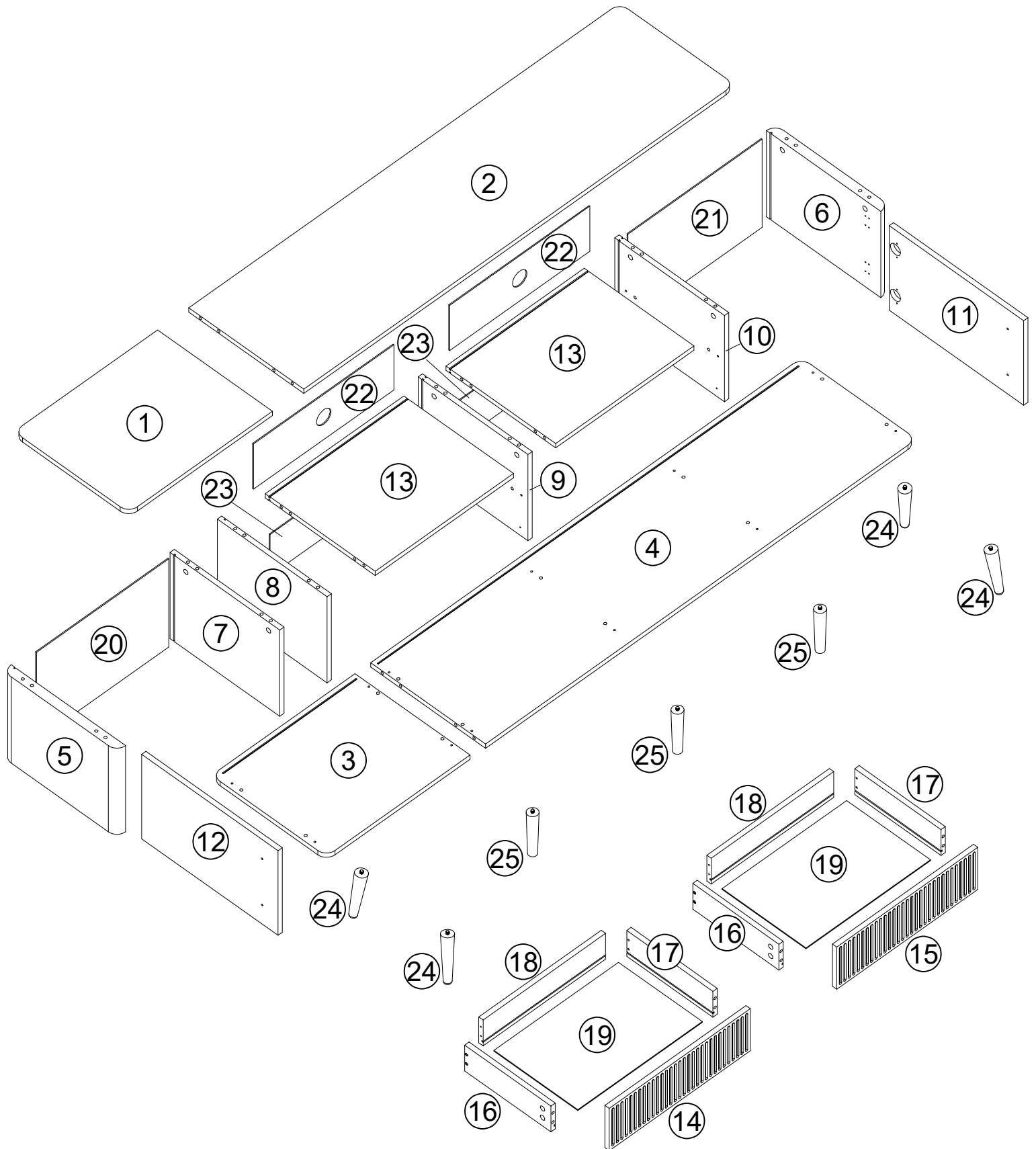
Please check you have all the panels listed below.

Note: The quantities below are the correct amount to complete the assembly. In some cases more fittings may be supplied than are required.

Hardware-Liste :

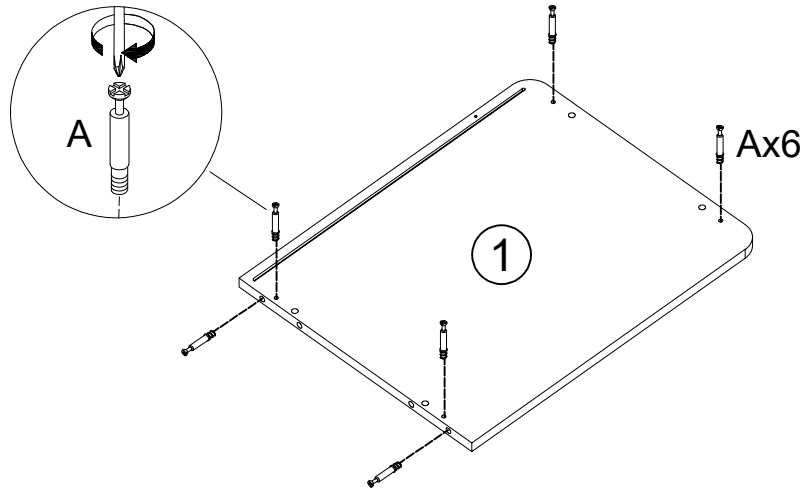
<p>A X 32</p>  <p>M6x35mm</p>	<p>B X 32</p>  <p>Φ15mm</p>	<p>C X 36</p>  <p>Φ8x30mm</p>	<p>D X 22</p>  <p>M4x35mm</p>
<p>E X 48</p>  <p>M3.5x14mm</p>	<p>F X 48</p>  <p>M3.5x14mm</p>	<p>G X 24</p> 	<p>H X 3</p> 
<p>I X 4</p> 	<p>J X 3</p> 	<p>K X 2</p> 	<p>L X 4</p>  <p>M4x25mm</p>
<p>M X20</p>  <p>Ø20mm</p>	<p>N X4</p>  <p>EVA</p>	<p>O X 4</p> 	<p>P X1</p>  <p>4#</p>
<p>Q X 2</p>  <p>M4x14mm</p>	<p>R X 2</p> 	<p>S X 2</p> 	<p>CL X2</p> 
<p>CR X2</p> 	<p>DL X2</p> 	<p>DR X2</p> 	


Assembly Instructions



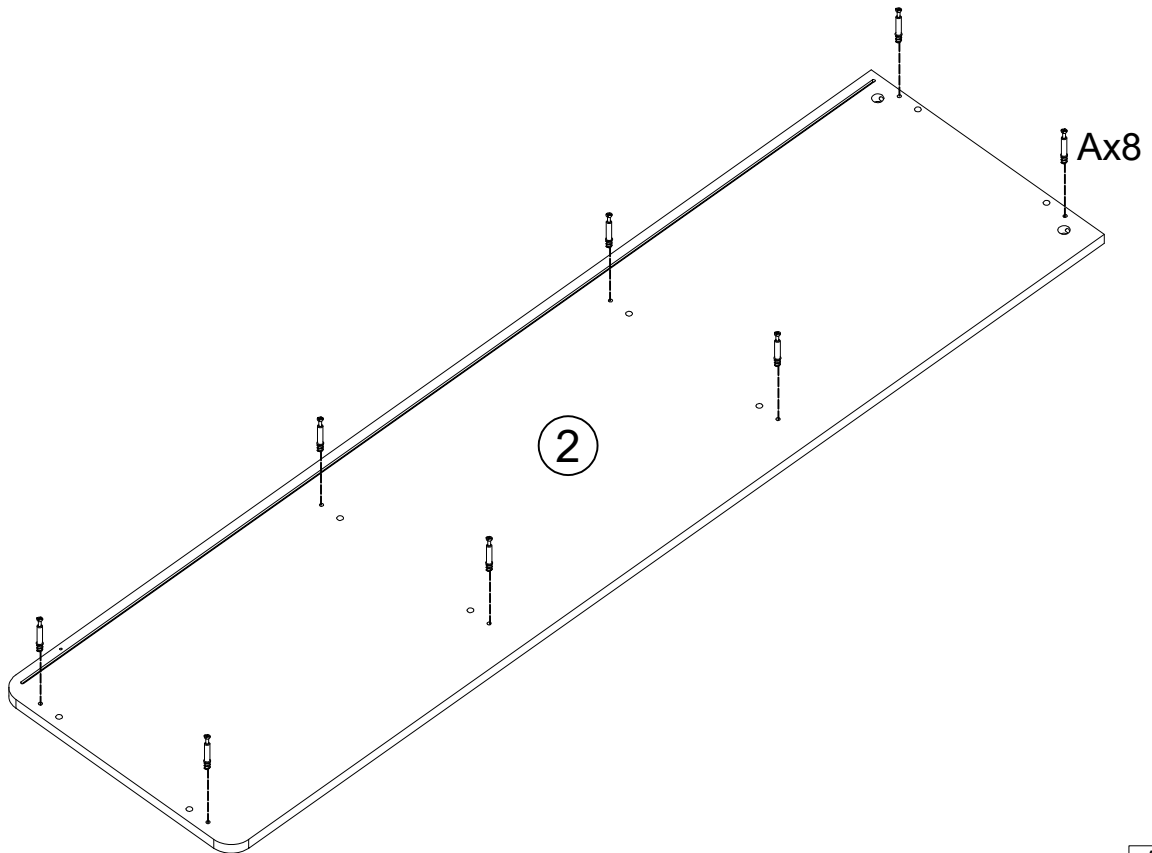
Assembly Instructions

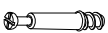
STEP 1



A	x6
	
M6x35mm	

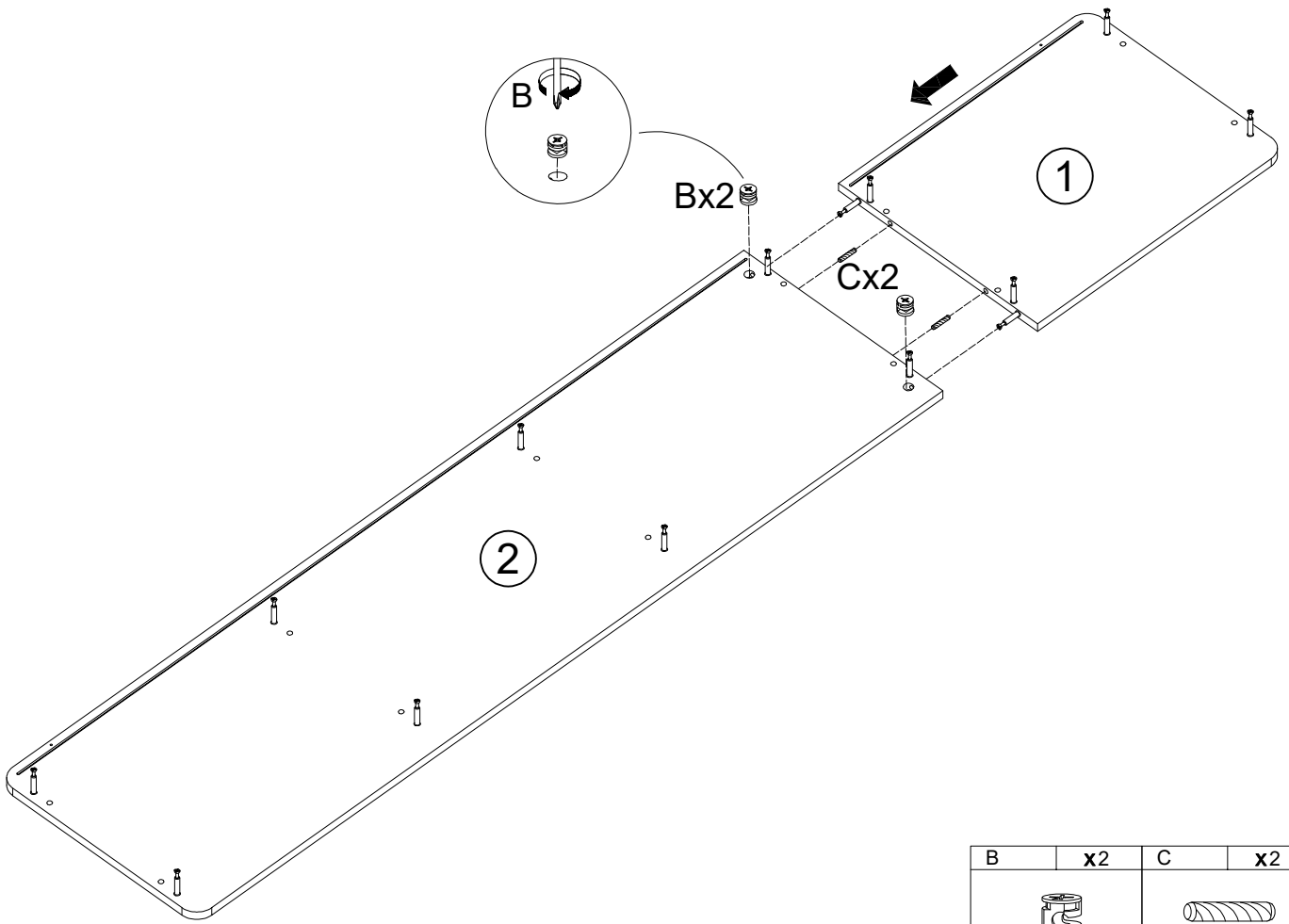
STEP 2





A	x8
	
M6x35mm	

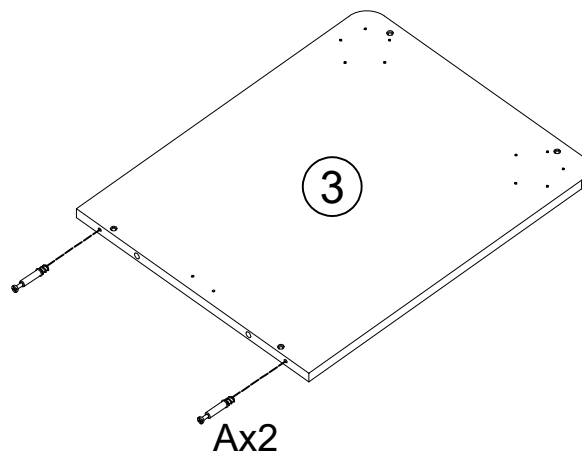
Assembly Instructions


STEP 3



B	x2	C	x2
			
Ø15mm		Φ8x30mm	

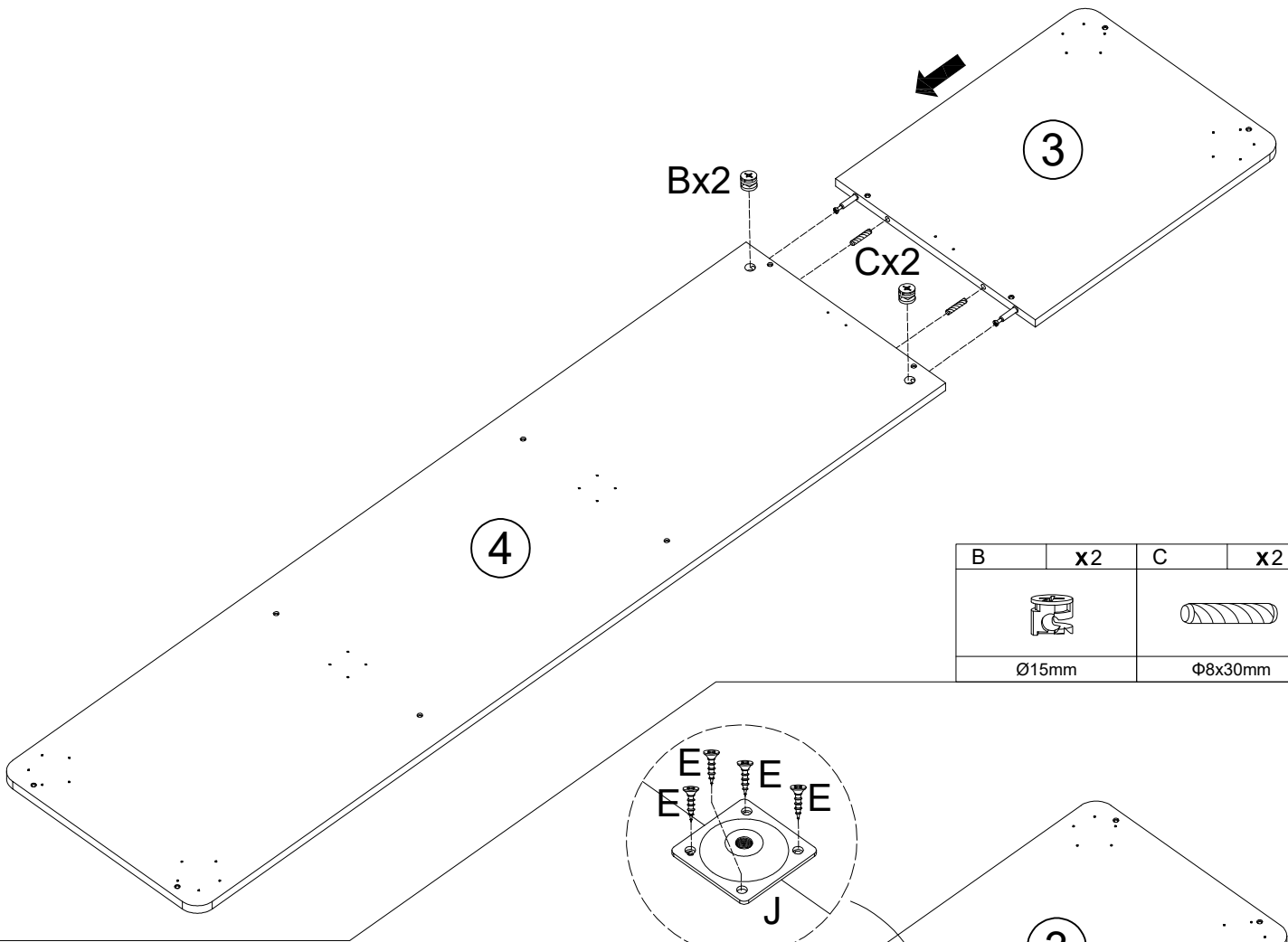
STEP 4


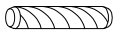


A	x2
	
M6x35mm	

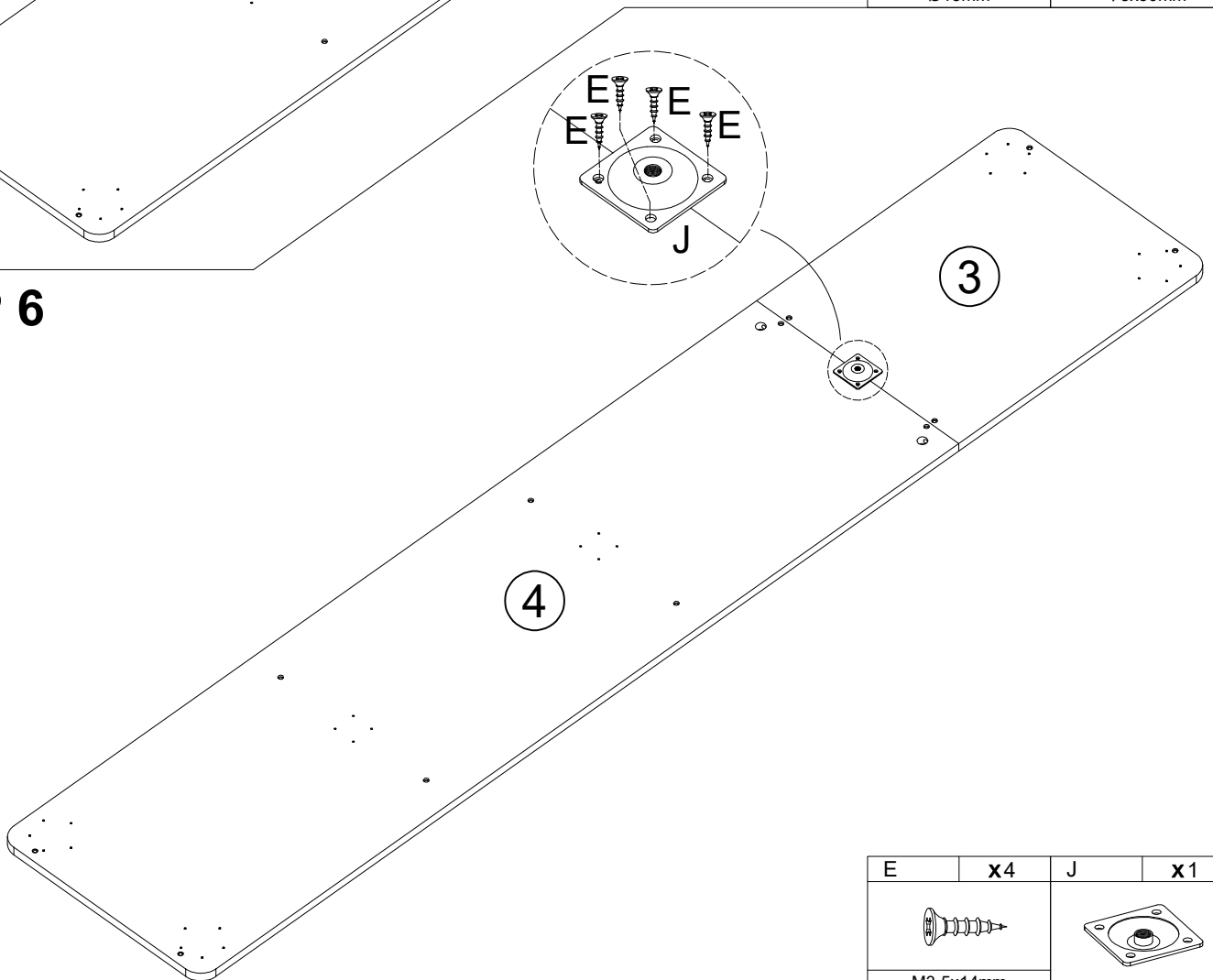
Assembly Instructions

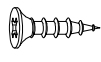
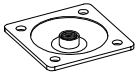
STEP 5



B	x2	C	x2
			
Ø15mm		Φ8x30mm	

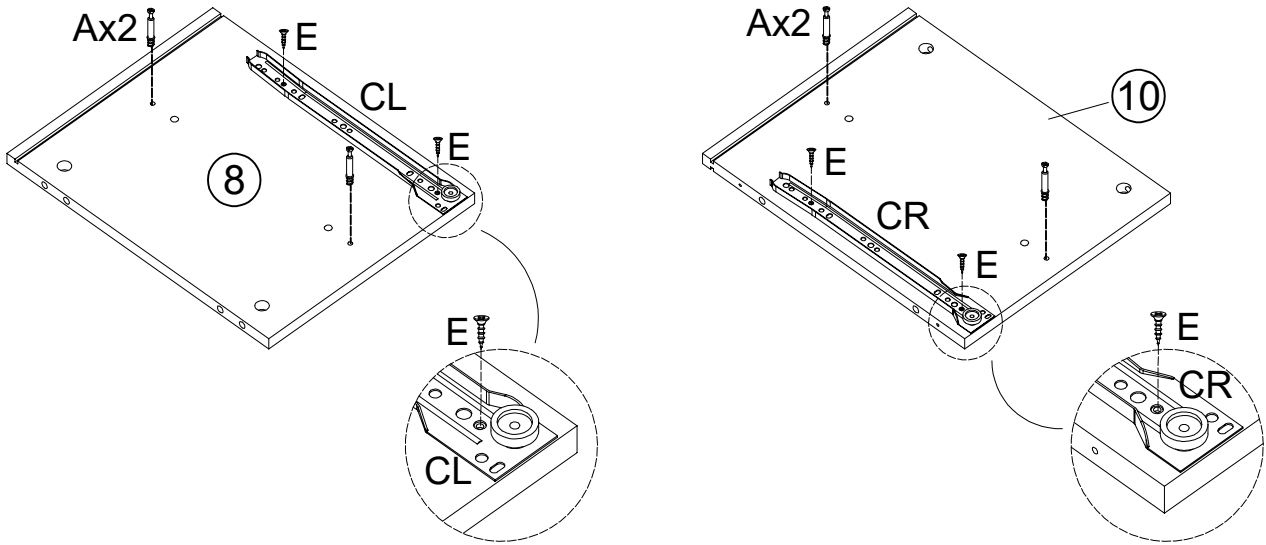
STEP 6

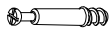

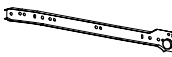
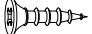


E	x4	J	x1
			
M3.5x14mm			

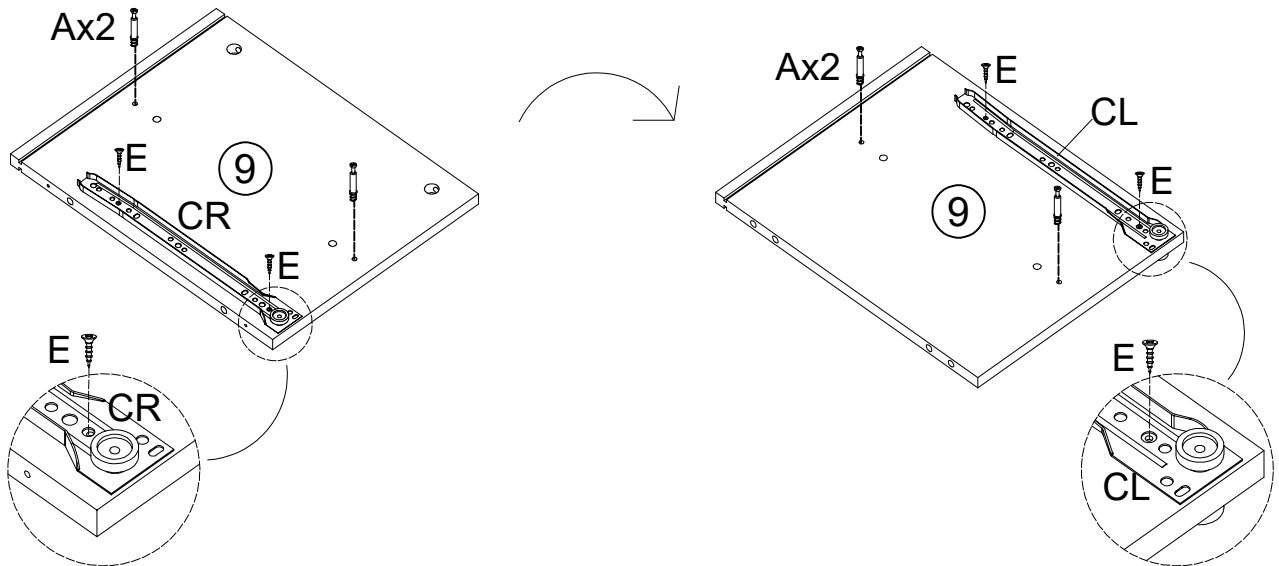
Assembly Instructions

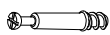


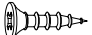
STEP 7



A	x4	CL	x1	CR	x1	E	x4
							
M6x35mm						M3.5x14mm	

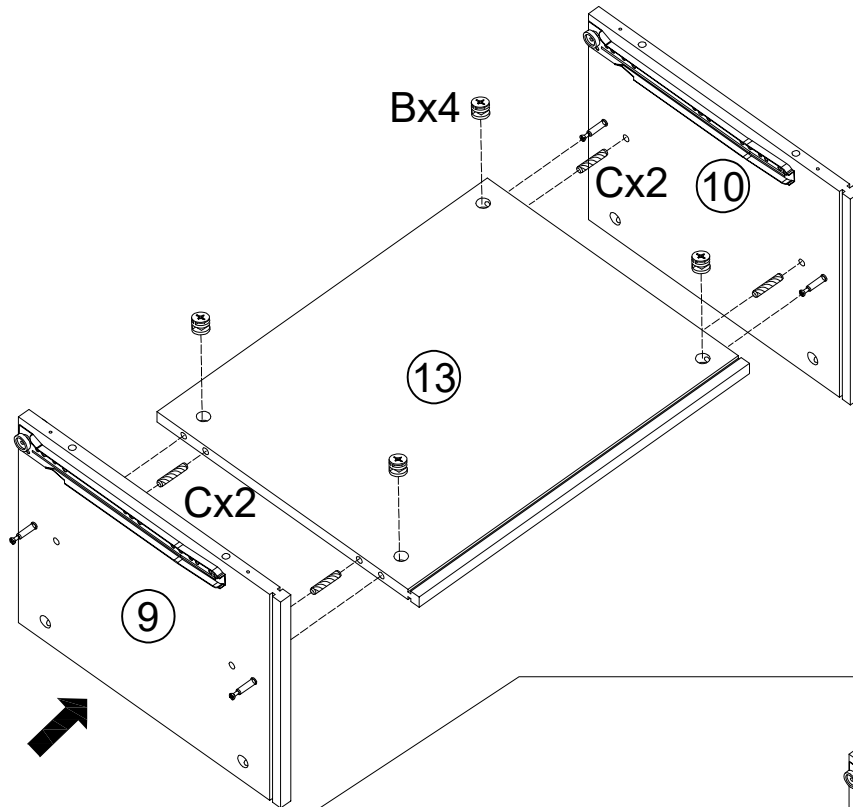
STEP 8





A	x4	CL	x1	CR	x1	E	x4
							
M6x35mm						M3.5x14mm	

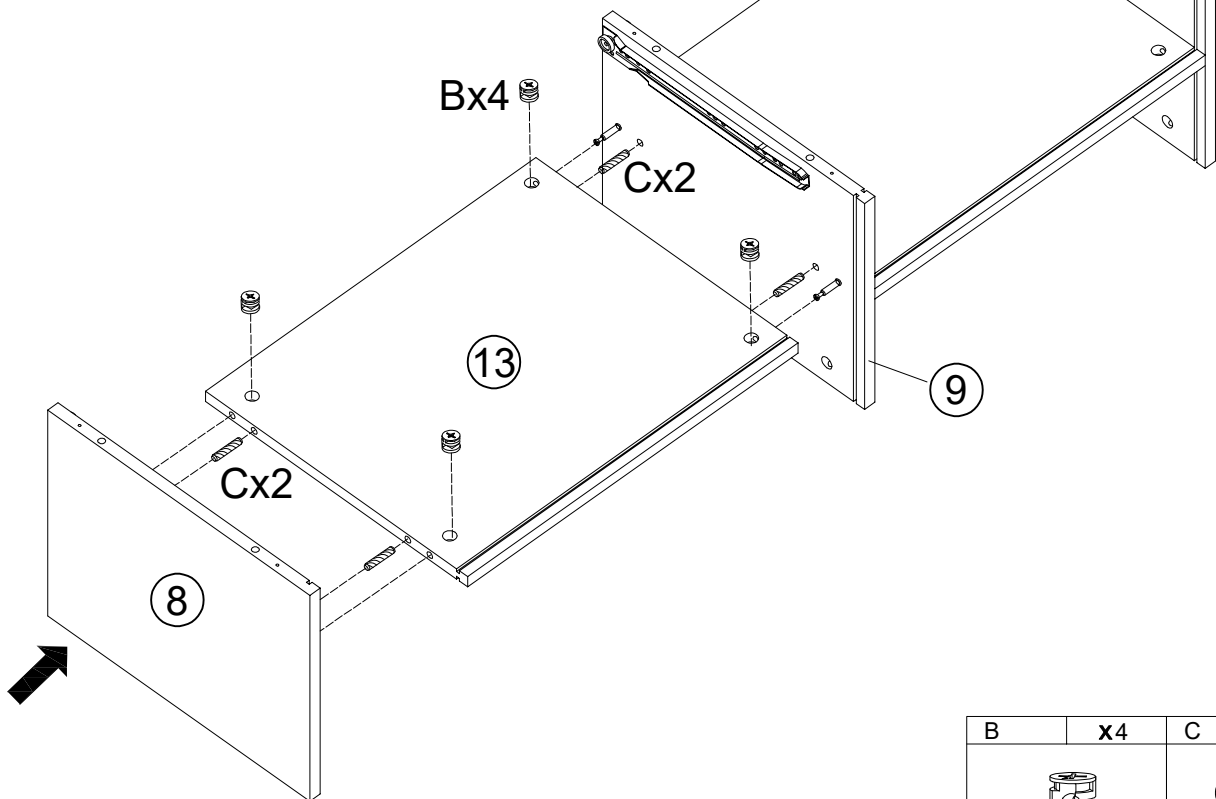
Assembly Instructions



STEP 9



B	x4	C	x4
			
Ø15mm		Φ8x30mm	

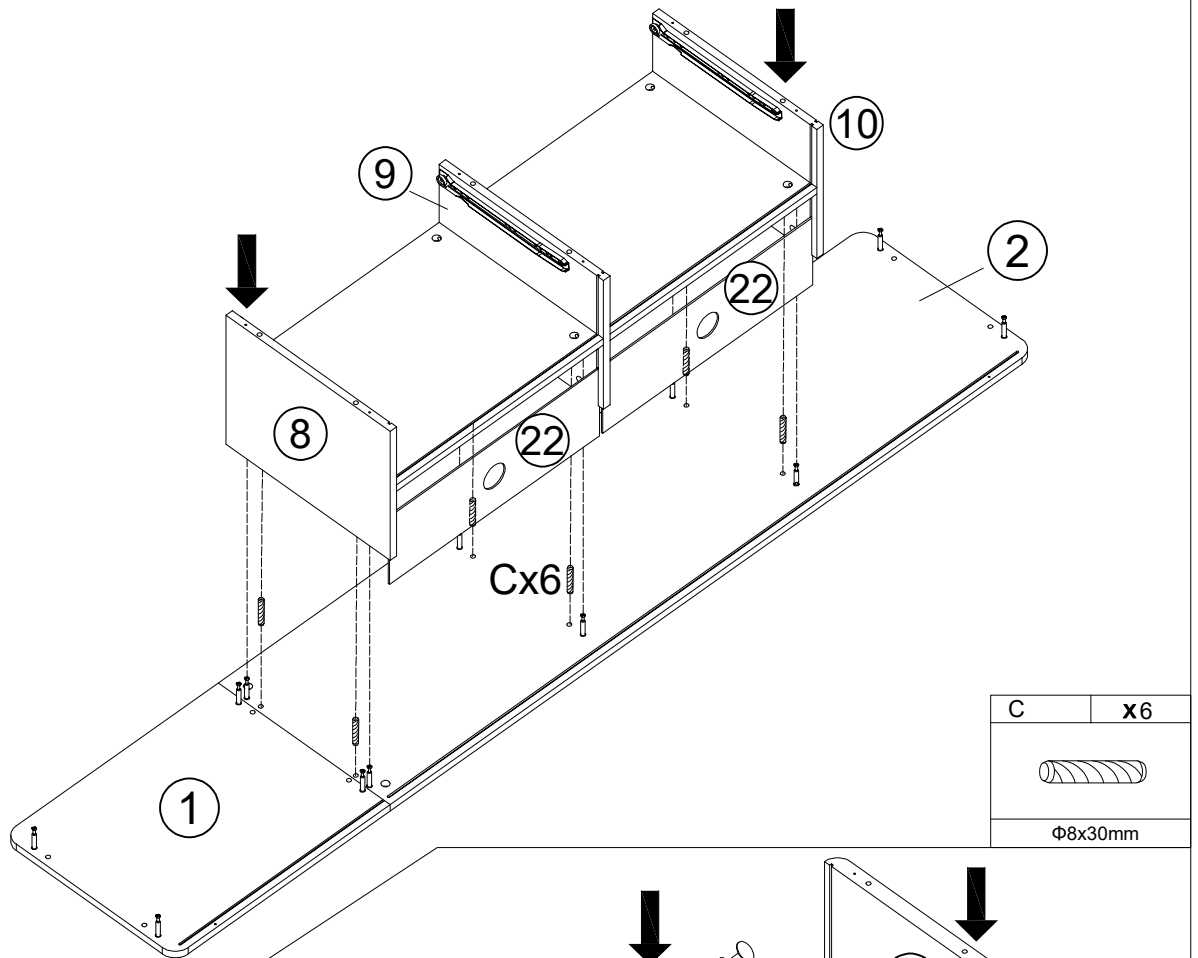
STEP 10

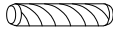


B	x4	C	x4
			
Ø15mm		Φ8x30mm	

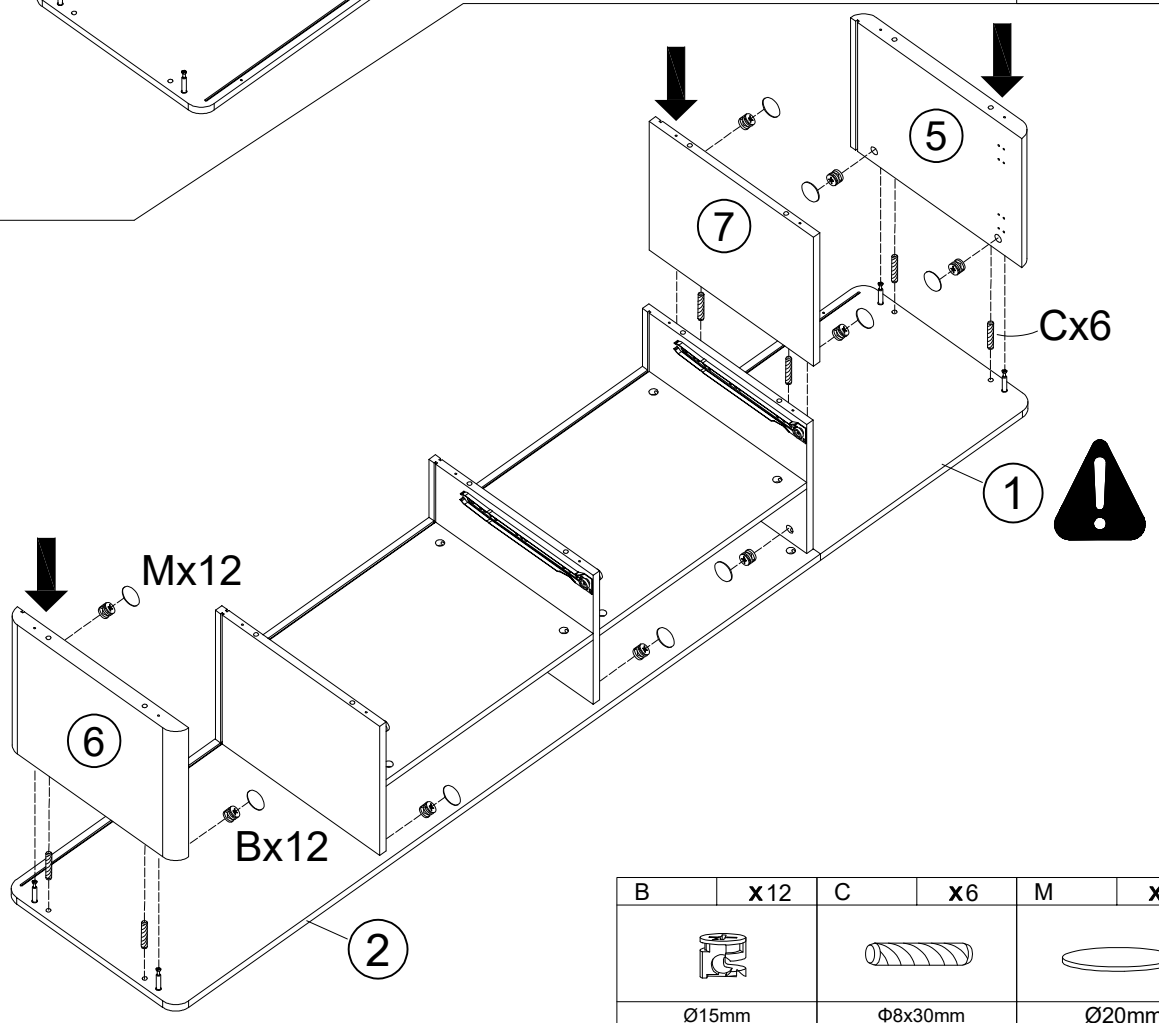
Assembly Instructions



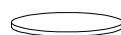
STEP 11



C	x6
	
Φ8x30mm	

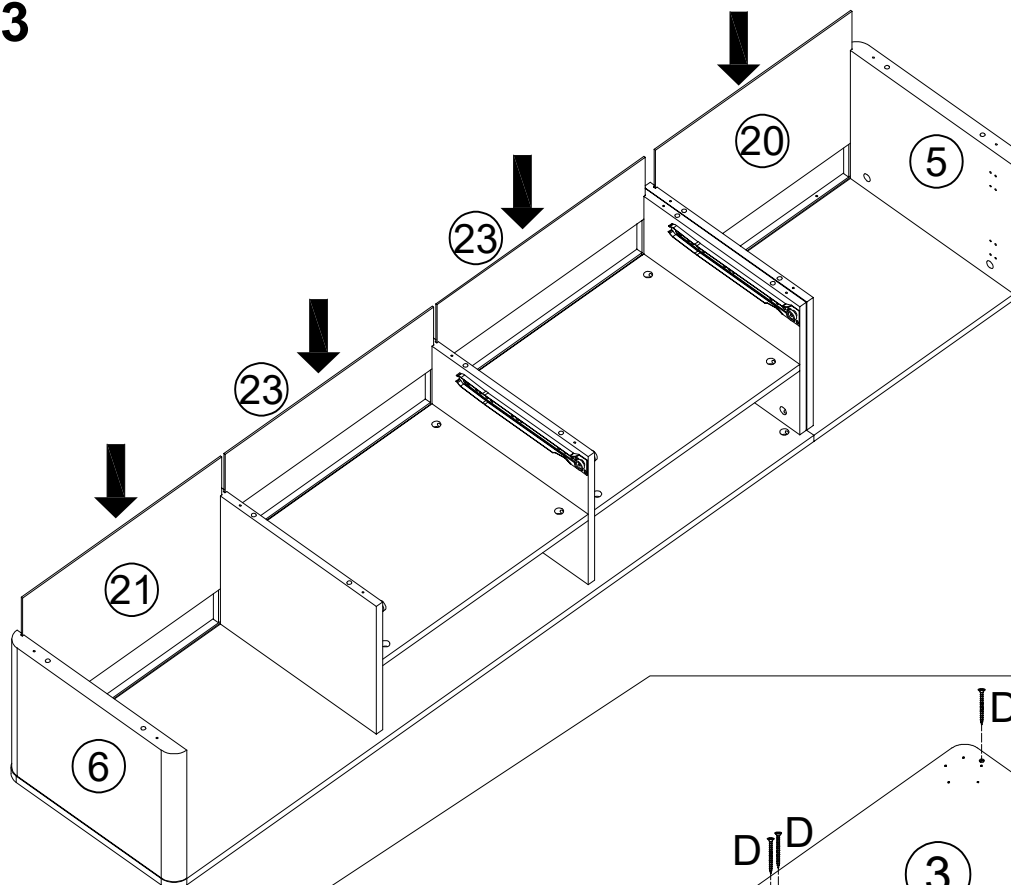
STEP 12



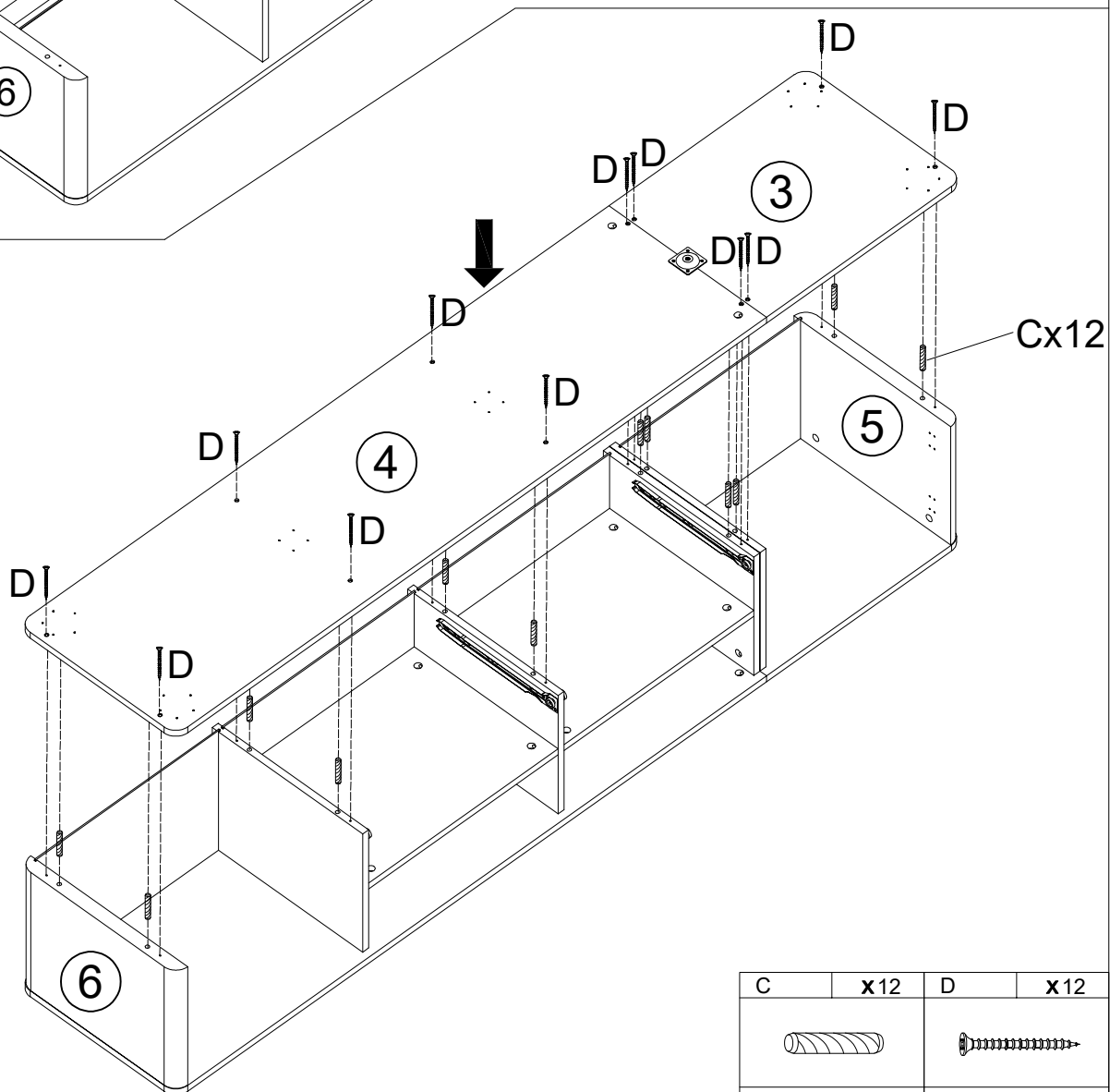
B	x12	C	x6	M	x12
					
Ø15mm		Φ8x30mm		Ø20mm	


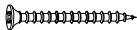
Assembly Instructions

STEP 13



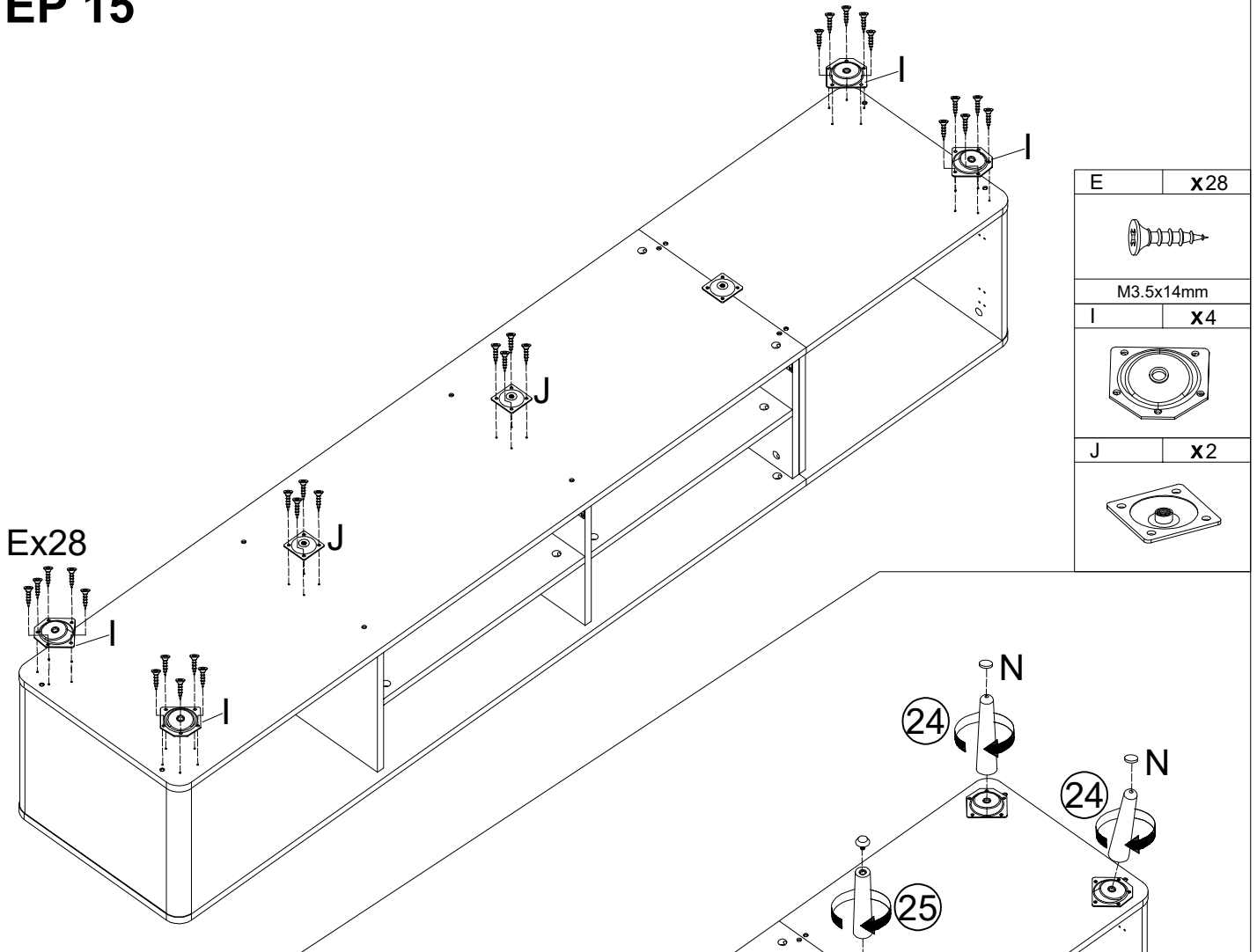
STEP 14



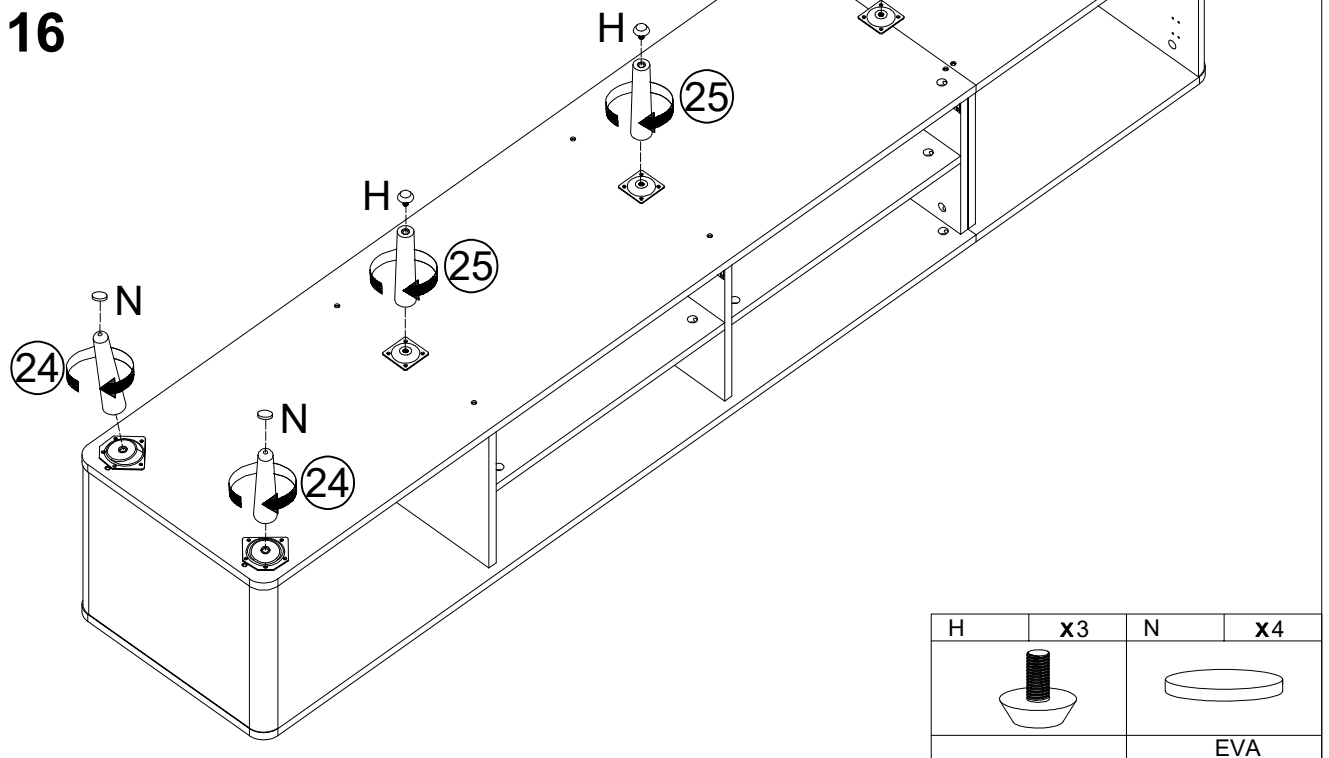
C	x12	D	x12
			
Φ8x30mm		M4x35mm	

Assembly Instructions

STEP 15

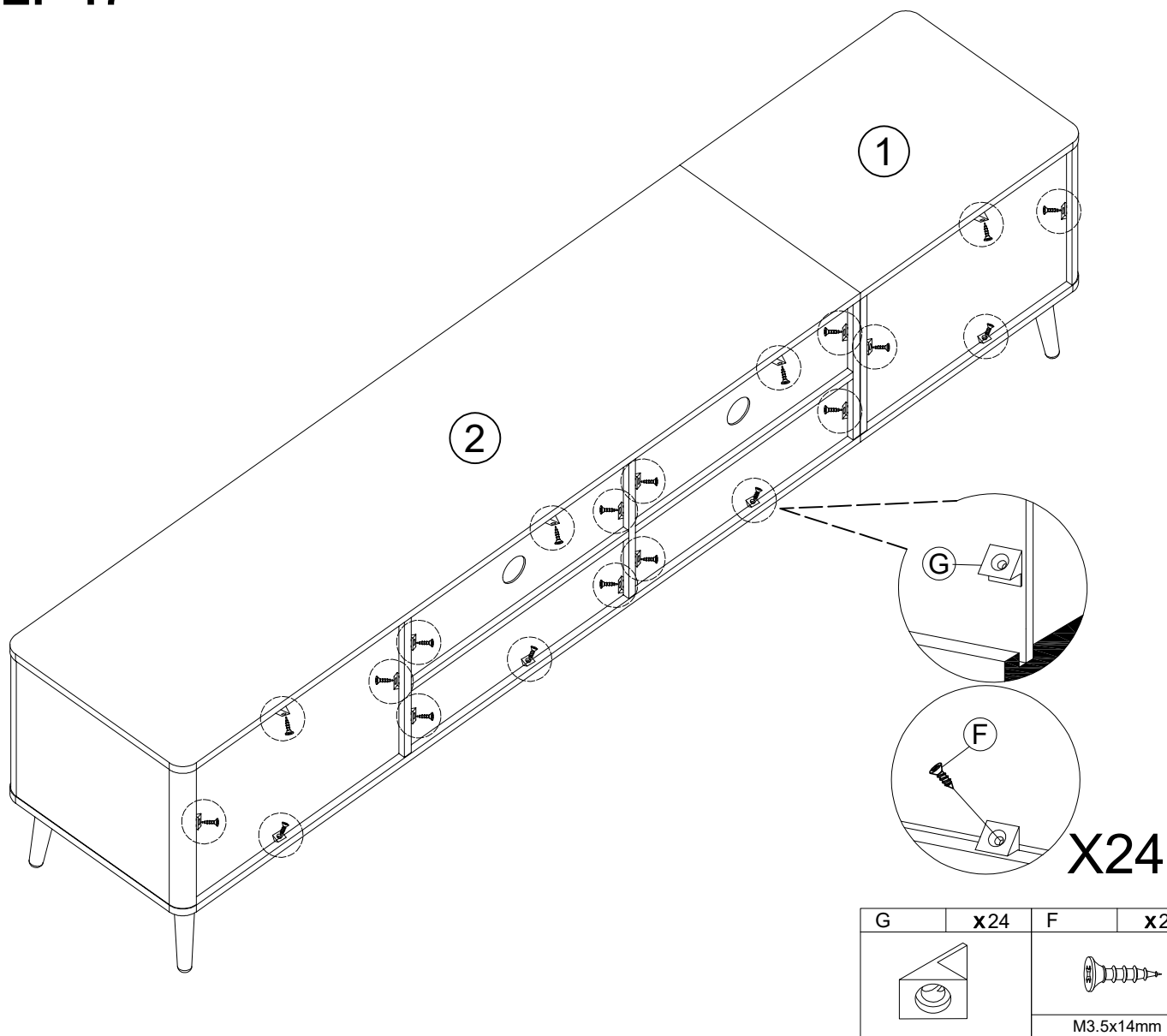


STEP 16

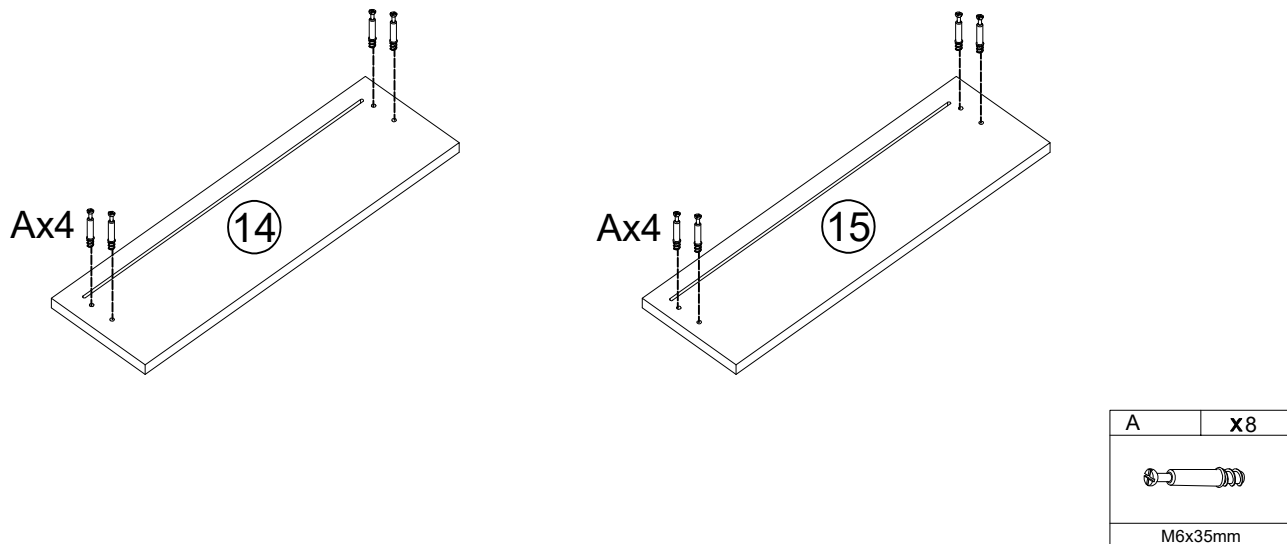


Assembly Instructions

STEP 17

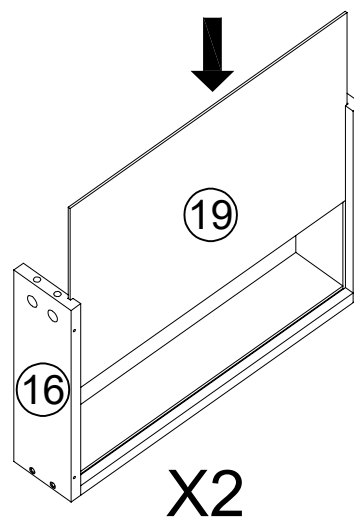
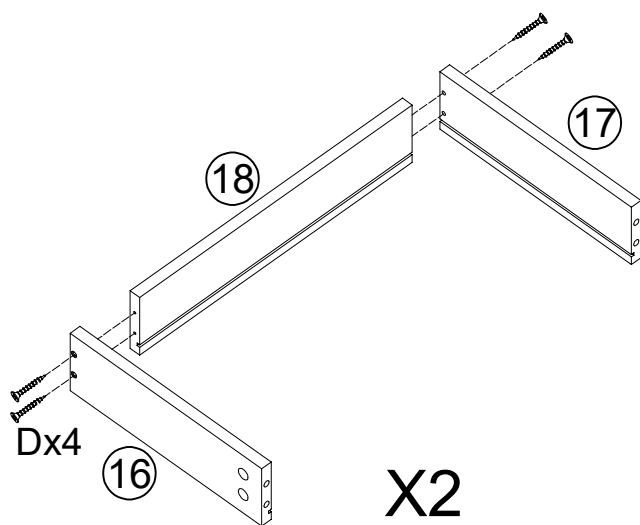


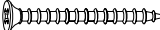
STEP 18



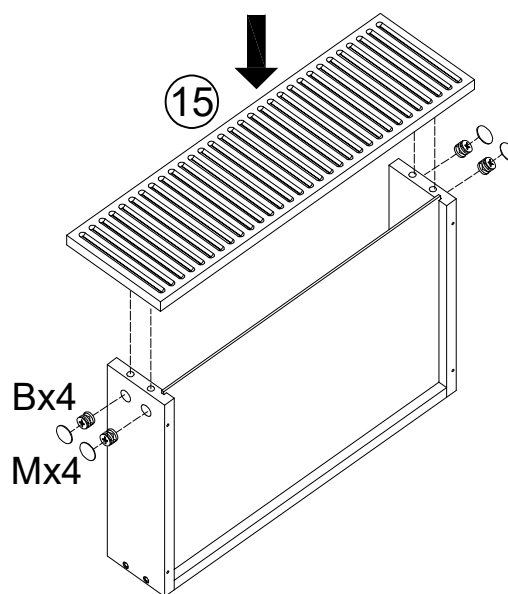
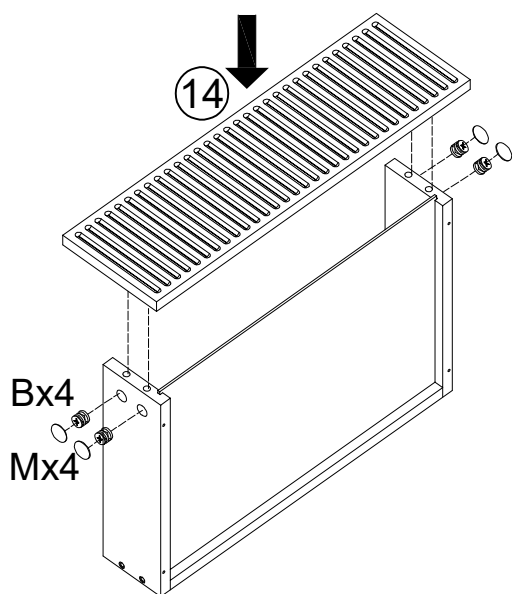
Assembly Instructions



STEP 19



D	x8
	
M4x35mm	

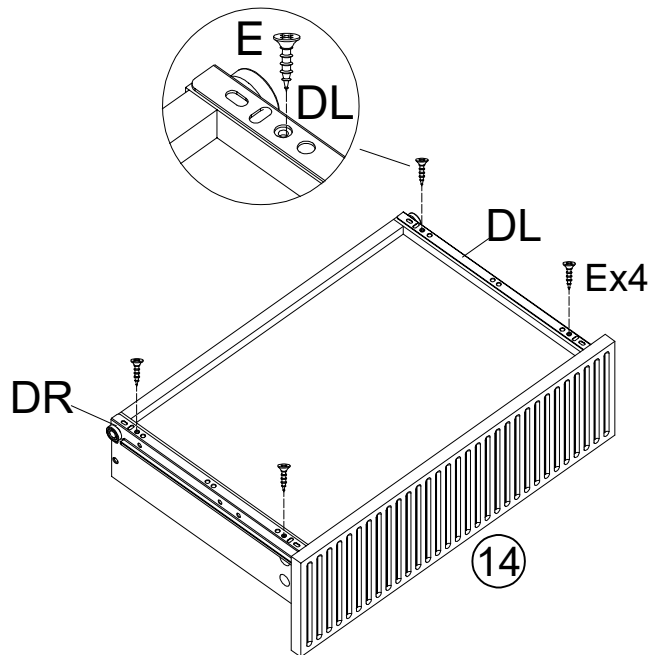
STEP 20

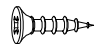




B	x8	M	x8
			
Ø15mm		Ø20mm	

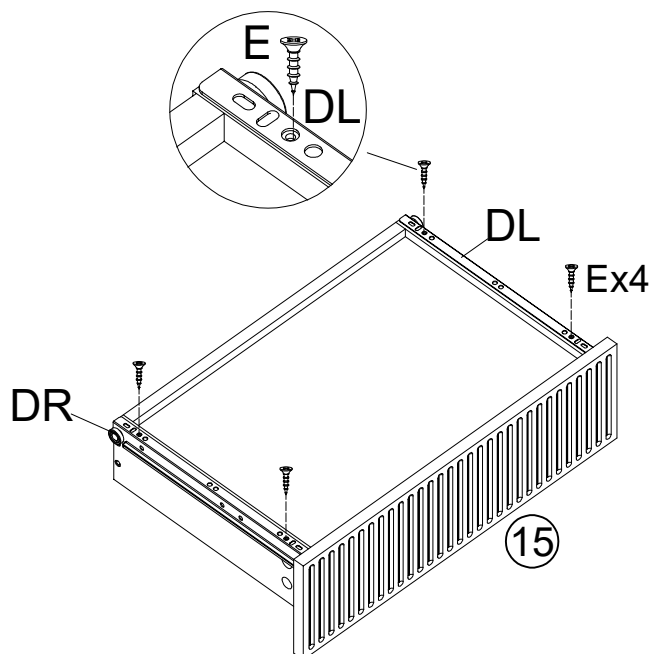
Assembly Instructions

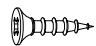


STEP 21



E	x4	DL	x1	DR	x1
					
M3.5x14mm					

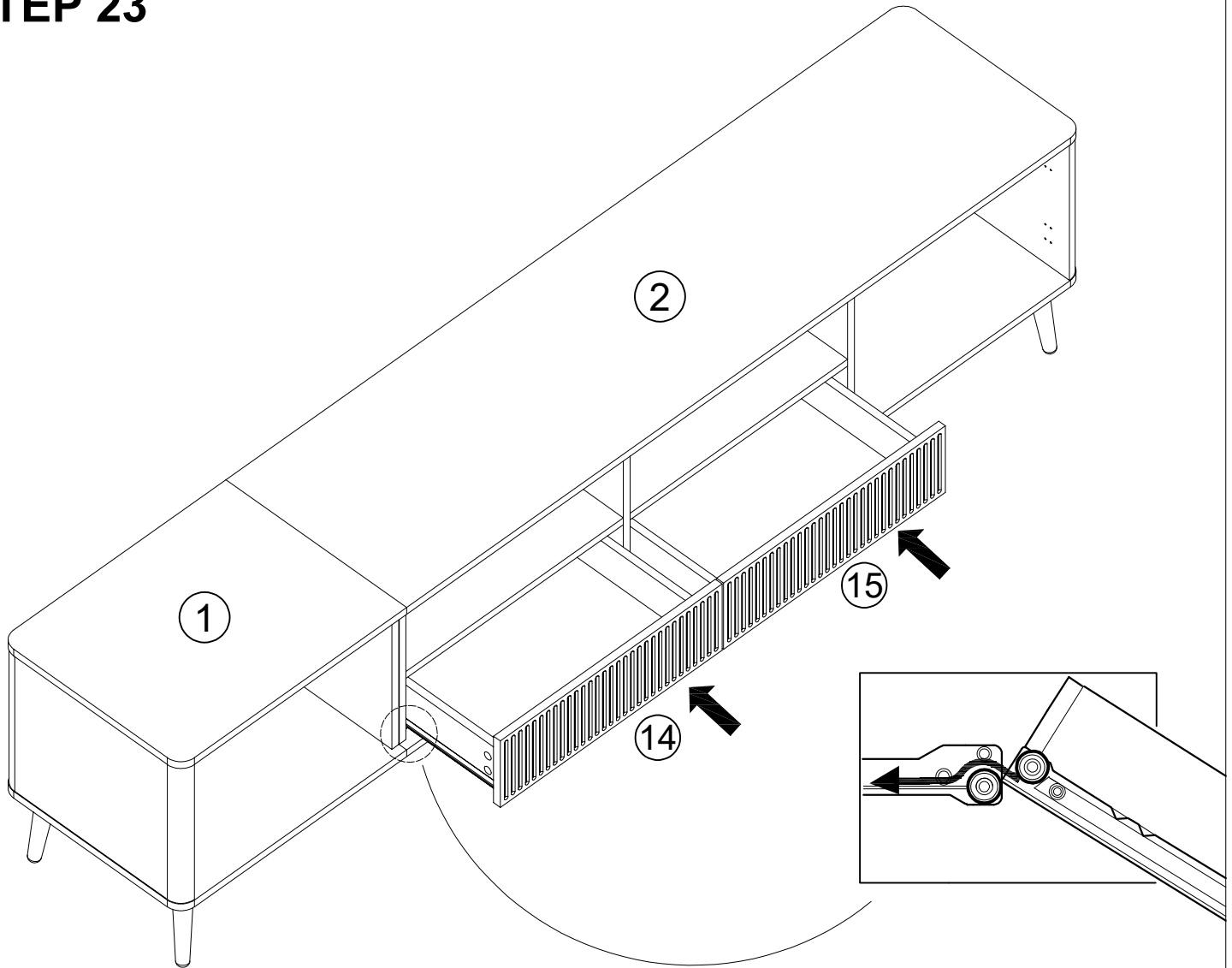
STEP 22



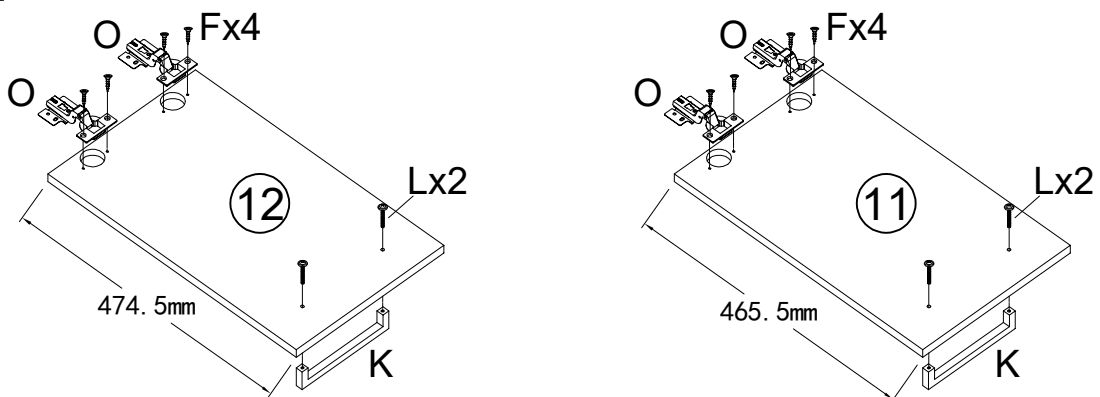
E	x4	DL	x1	DR	x1
					
M3.5x14mm					

Assembly Instructions

STEP 23



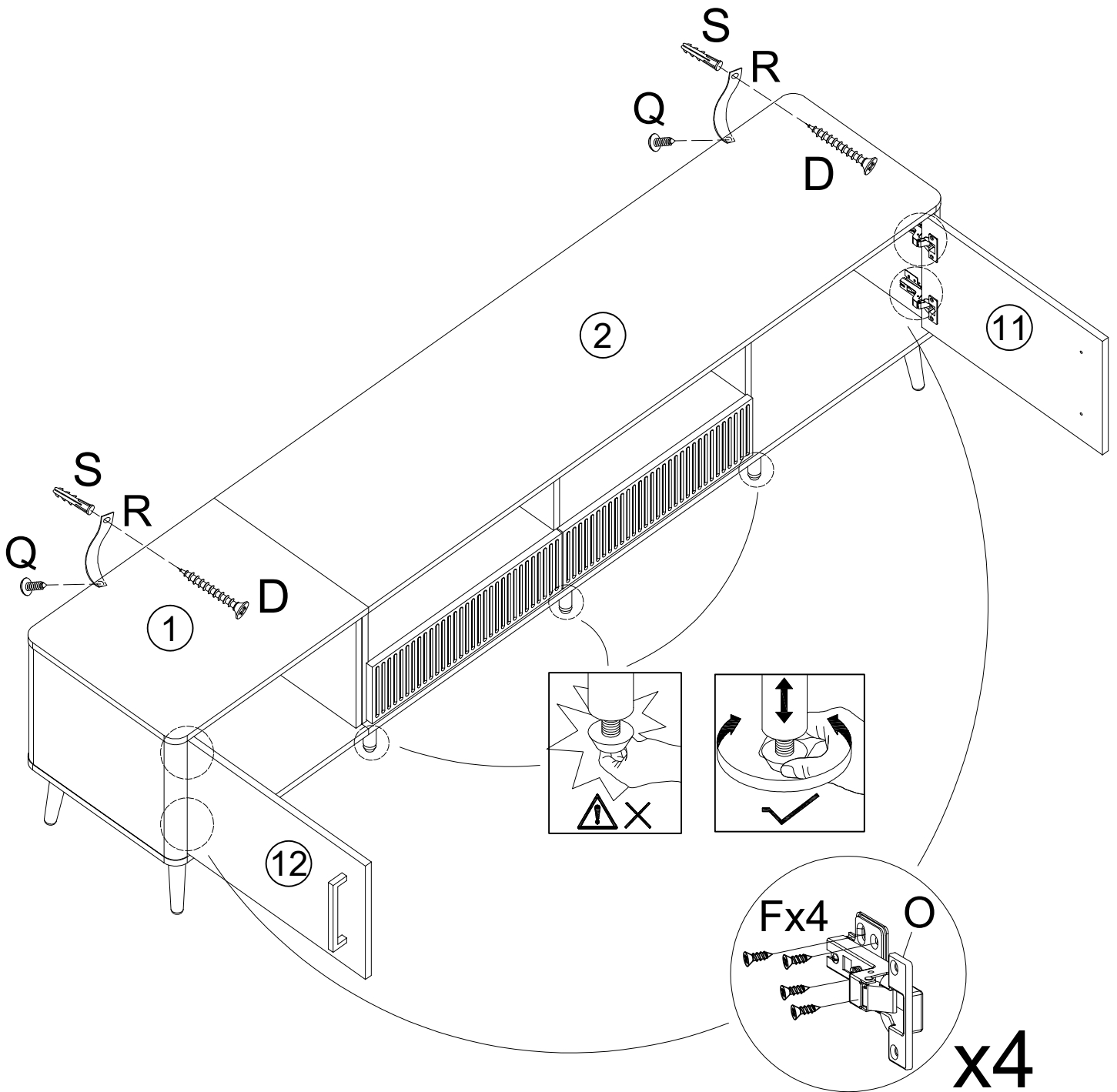
STEP 24

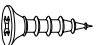
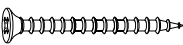


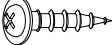


K	x2	L	x4	O	x4	F	x8
			M4x25mm				M3.5x14mm

Assembly Instructions

STEP 25



F	x16	D	x2	R	x2	S	x2	Q	x2
									
M3.5x14mm		M4x35mm						M4x14mm	