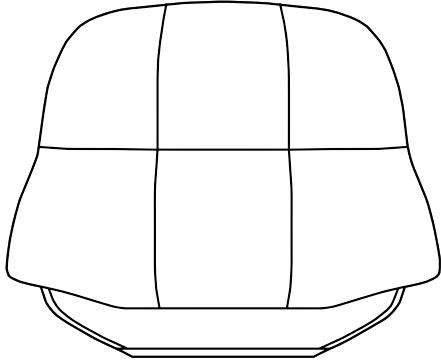


User Manual

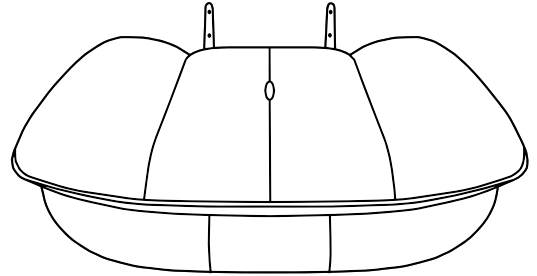
Parts List

A



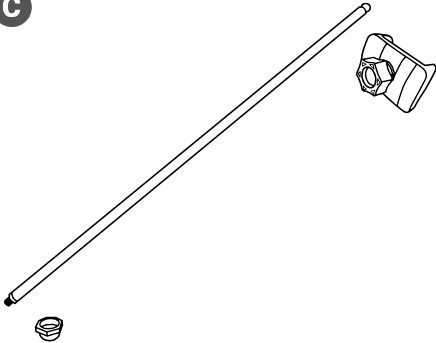
Backrest

B



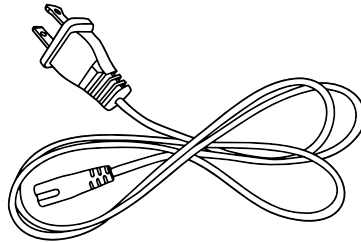
Seat Cushion

C



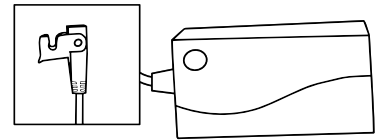
Phone holder

D



Power Cord

E

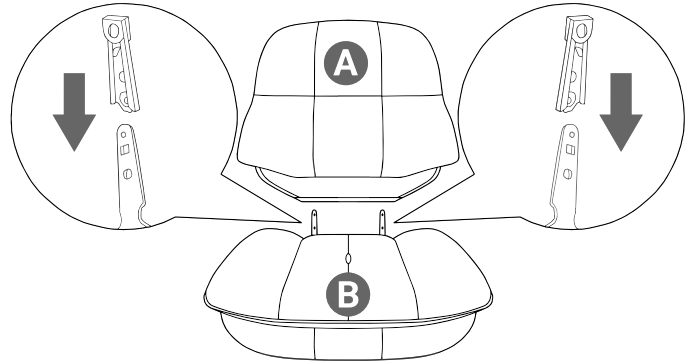


Power Adapter

Assembly Instructions

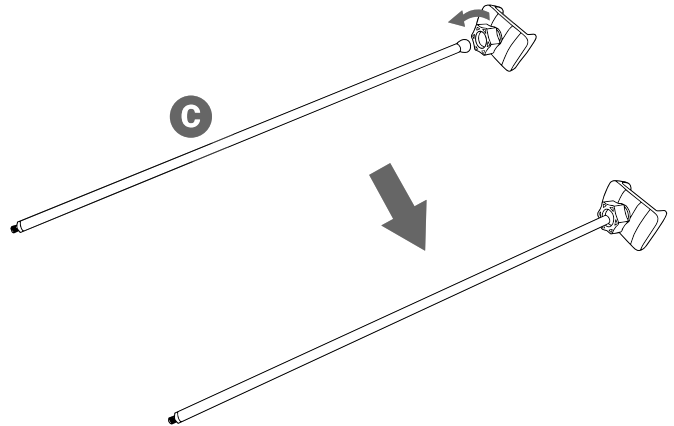
STEP 1

Secure the backrest to the buckles behind the seat cushion



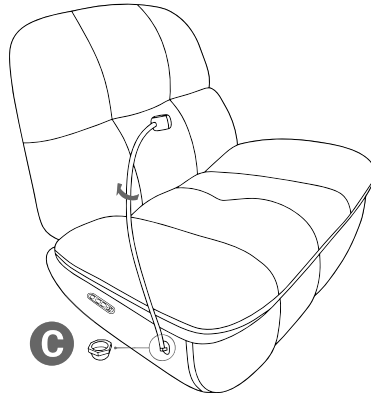
STEP 2

Loosen the phone holder, insert the holder rod, then tighten it



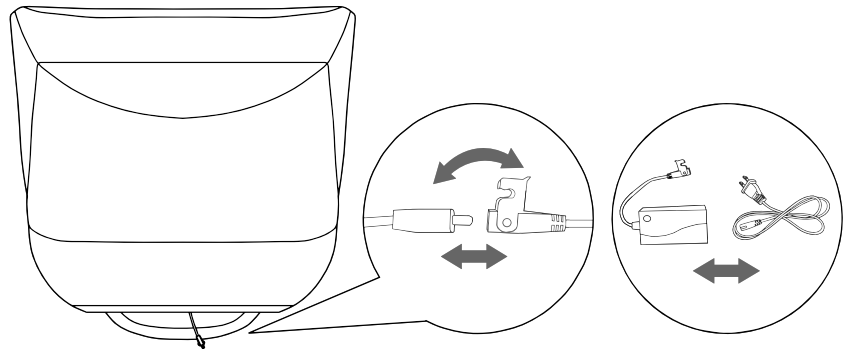
STEP 3

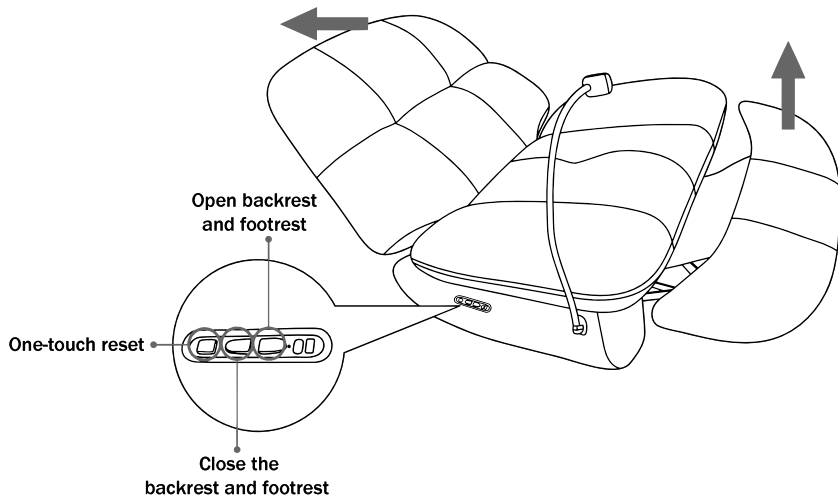
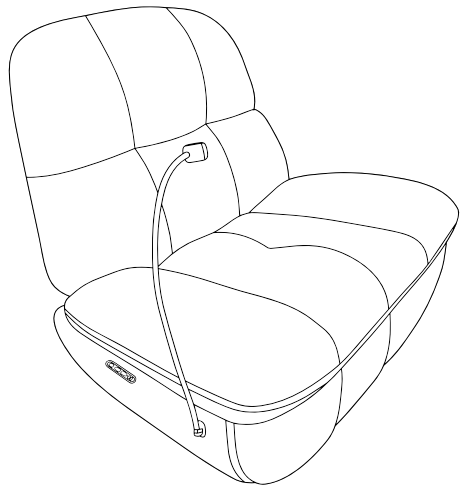
Secure the phone holder to the sofa as shown in the diagram



STEP 4

Connect the power adapter





Say “Smart Sofa”

If no commands are received within 30 seconds, the device will enter sleep mode.

Command Input	Command Output
Open recliner / Recliner open	Opening the recliner
Close recliner / Recliner retract	Closing the recliner
Stop recliner / Recliner stop	The recliner has stopped
All stop / Stop all / Emergency	Ok, it is stopped
Reading mode / Turn on reading mode	Ok, switch to reading mode for you
Game mode / Turn on game mode	Ok, switch to game mode for you
TV mode / Turn on TV mode	Ok, switch to TV mode for you
Sleep mode / I wanna sleep / Turn on sleep mode	Ok, switch to sleep mode for you
Turn up volume / Increase volume / Turn up sound	Ok, the volume is turned up
Turn down volume / Decrease volume / Turn down sound	Ok, the volume is turned down
Stop playing / Pause playing / Music pause / Music stop	Okay, the music has stopped playing
Continue to play / Go on playing / Playing music / Go on playing music	Okay, the music will be go on playing
Max volume / Turn to the max volume / Turn the sound to the max	OK, the volume has been turned to the max
Last song / Play the last song	OK, play the last song for you
Next song Play the next song	OK, play the next song for you
Reset Bluetooth	Okay, the Bluetooth has been unpaired

*Some Android phones cannot control previous/next last song due to version compatibility issues.

Maintenance instructions

TO STORE:

Place unit in its box or safe, dry, cool place. Avoid contact with sharp edges or pointed objects which might cut or puncture the fabric. Do not wrap power cord around the unit. Do not hang the unit by power cord.

TO CLEAN:

- 1.** Do not place in any liquid to clean. Clean fabric cover by wiping with a damp sponge, using a mild detergent or suds. Pat dry with clean, dry cloth.
- 2.** Do not use abrasive cleaners, brushes, gasoline, kerosene, glass/furniture polish, paint thinner or water hotter than 120°C to clean the unit.

WARNING:

In the interest of health and safety, Please ensure no obstacles, children or pets are near the chair mechanism or the area underneath when the chair is in use. This is not a play area. Vigilance is required to avoid accidents.