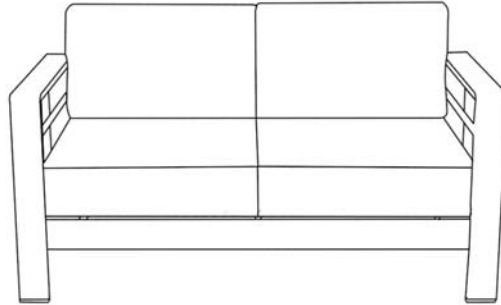


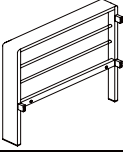
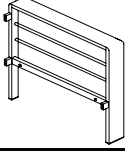
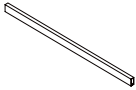
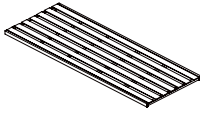
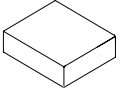
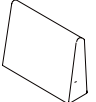
# Assembly Instructions

**Caution: You must read this before you proceed**

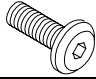
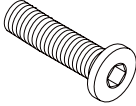
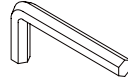
## Loveseat



### Parts List

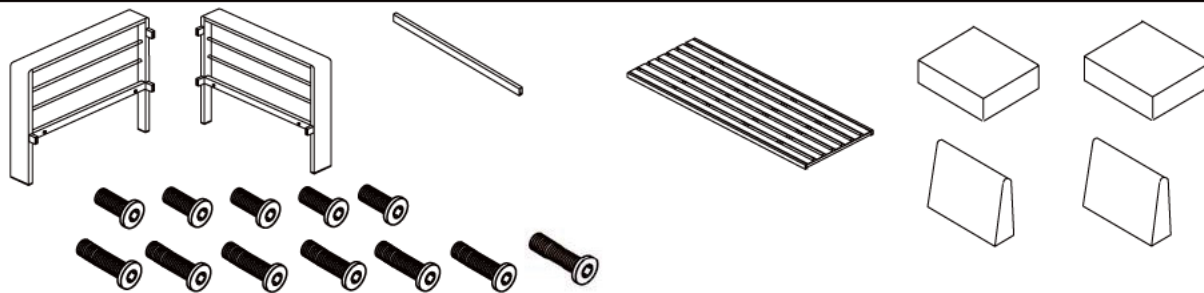
Label	Picture	Description	QTY
A		Left Side Panel	1
B		Right Side Panel	1
C		Back Support Bar	1
D		Seat (Labelled with face and bottom)	1
E		Seat Cushion	2
F		Back Cushion	2

### Hardware

Label	Picture	Description	QTY
①		Bolt:M6*20MM	5
②		Bolt:M6*25MM	7
③		Allen Key	1

# Assembly Preparation

## Before Beginning Assembly:



- Read instructions, cover to cover-



- Have 2 adults on hand for assembly-



- Do not assemble on flooring or carpet-



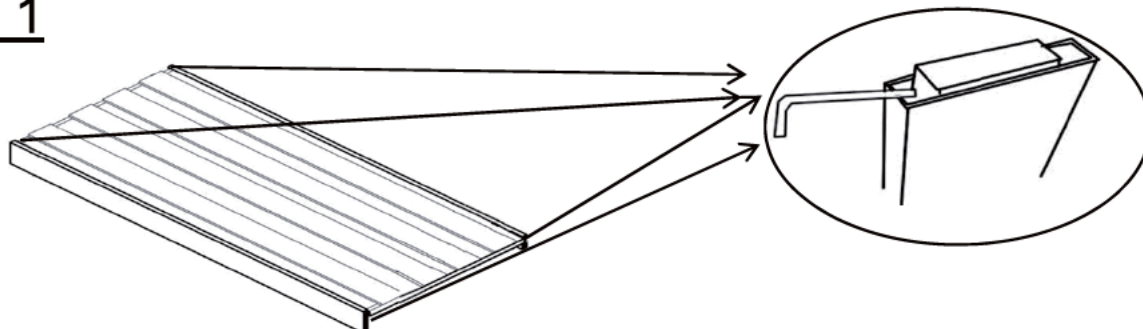
- Assemble on a clean non-marring surface (packing foam)-



- Save all packaging until finished-

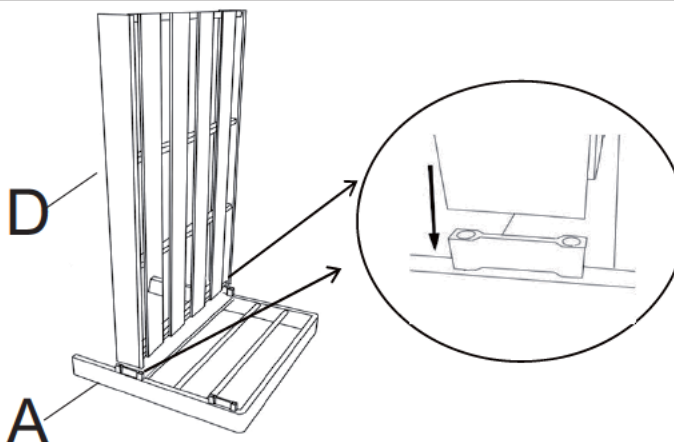
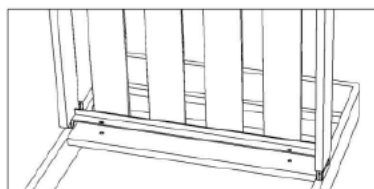
# Assembly Steps

## Step 1



Take out the sliders in the four ends of the Seatboard(D) using Allen Key(Ⓢ).

## Step 2

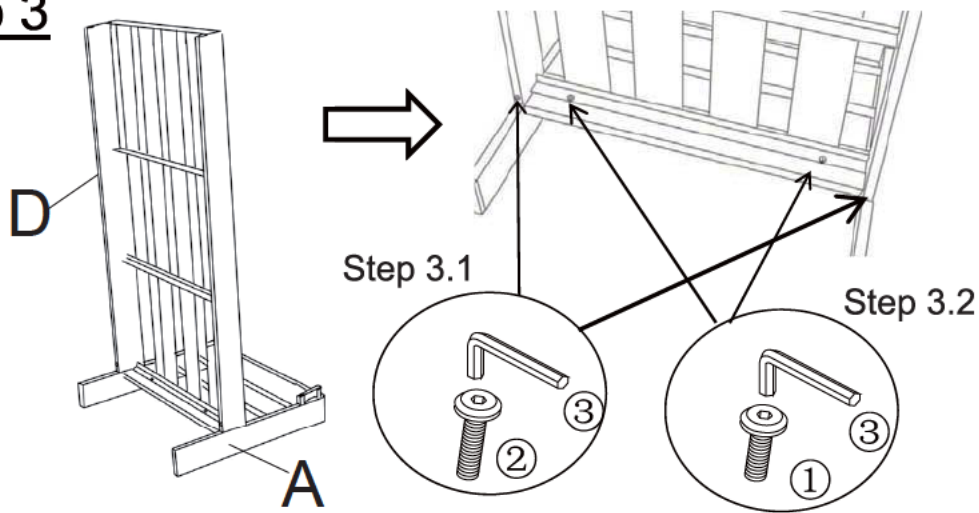


Open the carton and place all the parts on a clean, non-marring surface.

Insert the Seat(D) into the Left Side Panel(A), shown as the picture.

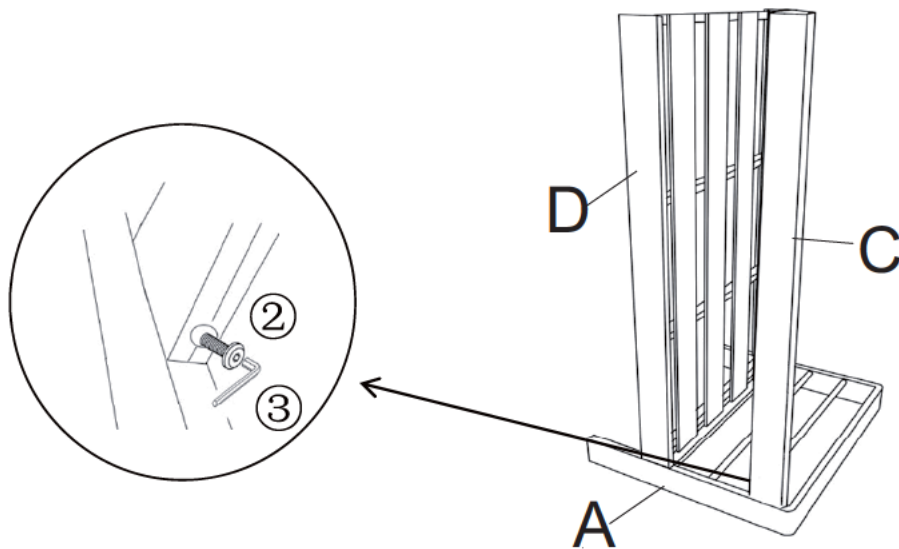
If you found the seat (D) didn't line up with the Side panel(A), please reverse the seat(D) to match up the mounting position.

### Step 3



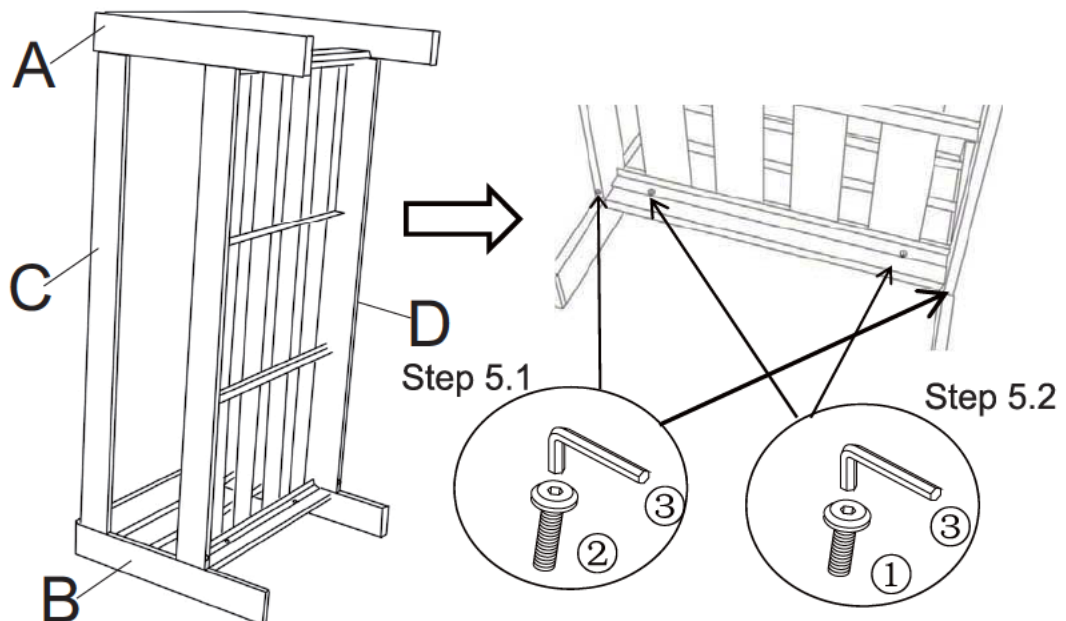
- 3.1) Attach Seat(D) and Left Side Panel(A) using Bolt(2) with Allen Key(3) as shown in the picture.  
3.2) Attach Seat(D) and Left Side Panel(A) using Bolt(1) with Allen Key(3) as shown in the picture.  
**Do not fully tighten the Bolt.**

### Step 4



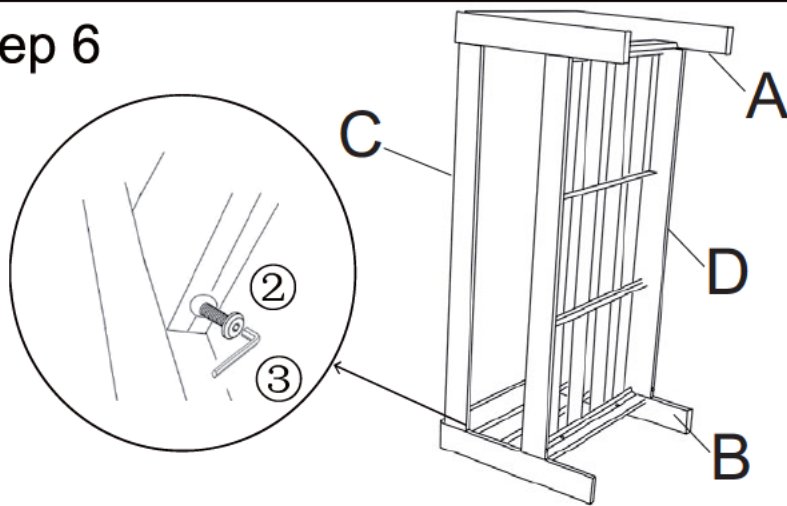
- Attach Back Support Bar(C) to Left Side Panel(A) using Bolt(2) with Allen Key(3).  
**Do not fully tighten the Bolt.**

### Step 5



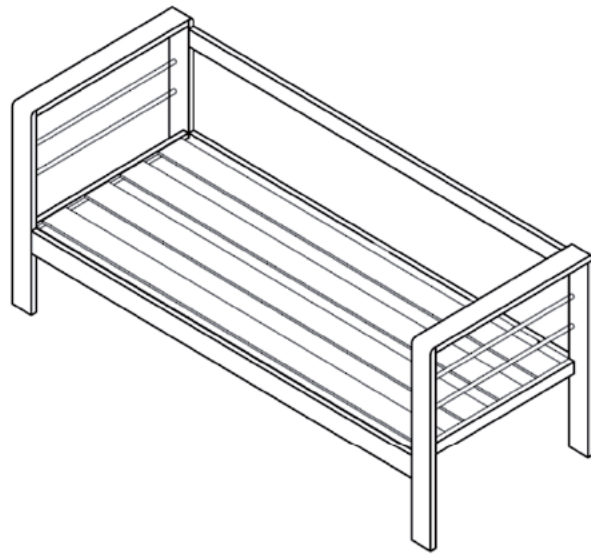
- 5.1) Attach Seat(D) and Right Side Panel(B) using Bolt(2) with Allen Key(3) as shown in the picture.  
5.2) Attach Seat(D) and Right Side Panel(B) using Bolt(1) with Allen Key(3) as shown in the picture.  
**Do not fully tighten the Bolt.**

## Step 6



Attach Back Support Bar(C) to Right Side Panel(B) using Bolt(2) with Allen Key(3).  
**Do not fully tighten the Bolt.**

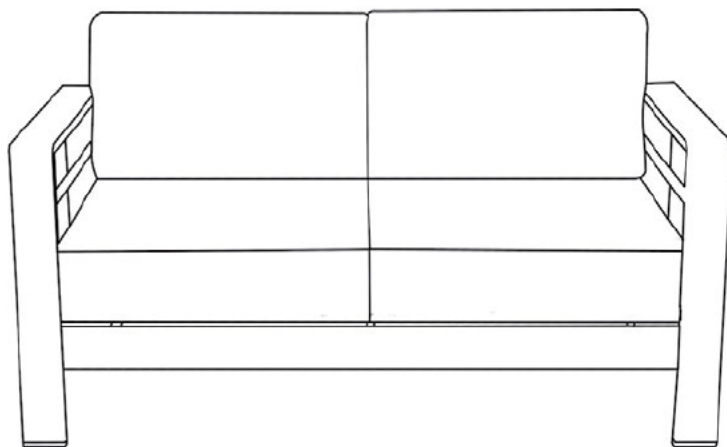
## Step 7



Stand up the loveseat frame , check stability and then tighten the bolts.





















**Note DO NOT fully tighten a BOLT in one go and then move on to the next. Rather, In a sequential manner, gradually tighten each Bolt until all bolts are evenly secured. This methodology will ensure maximum evenness once all Bolts are fully tightened.**

## Step 8



Put the Seat Cushions(E) and Back Cushions(F) on the Loveseat.  
Your Loveseat is ready for use.

## Care & Maintenance

-   ● Do not put hot items directly on furniture surface
  -   ● Do not clean furniture with harsh cleansers or polish.
  -   ● To obtain the longest lifespan of your outdoor products, minimizing exposure to direct sunlight is recommended.
  -   ● Children should not climb or jump on the furniture.
  -   ● Do not write on furniture without a padded barrier to protect the surface.
  -   ● To obtain the longest lifespan of your outdoor products, avoid extended and lengthy exposure to rain, snow, and direct sunshine. Whenever possible cover the product and /or place under patio or awnings.
  -   ● Not for commercial use. For residential use only .
  -   ● Stains may be removed with mild soap solution and damp cloth.
  -   ● Keep away from sources of ignition.
- 
-   ● Dust and pick-up spills using a clean, non-colored, lint-free cloth.