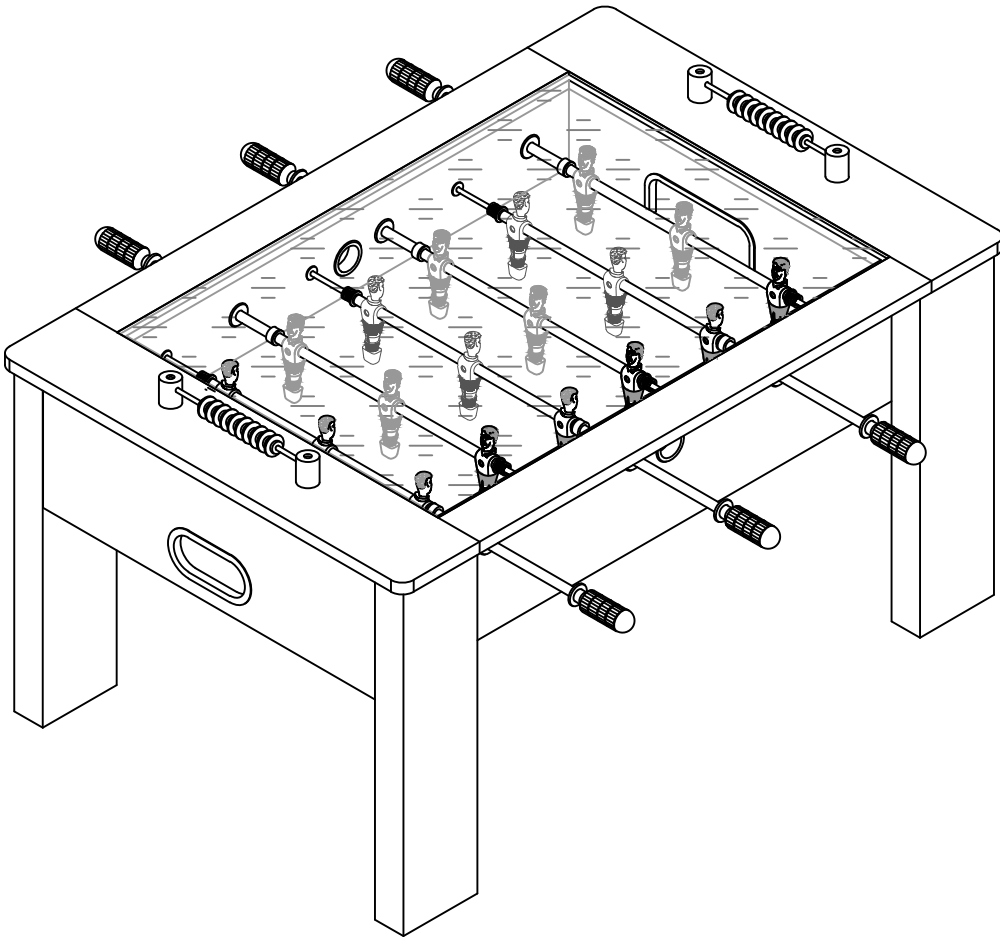


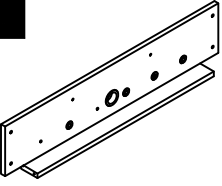
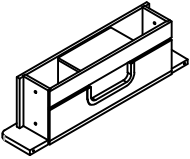
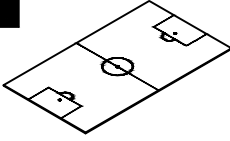
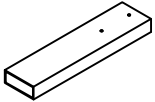
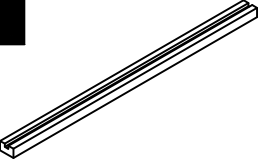
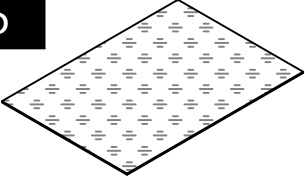
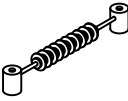
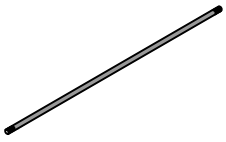
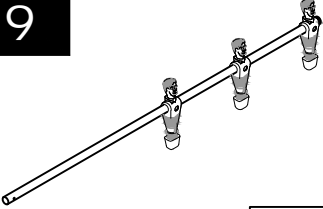
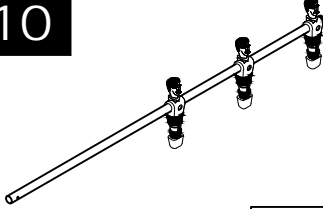
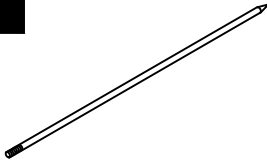
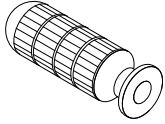


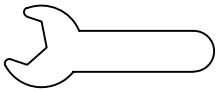
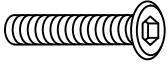




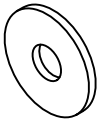
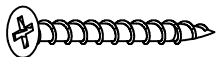

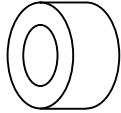
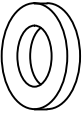
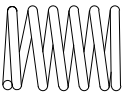

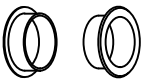
MODEL: GT23022



Missing parts, damages, and any other problems, please contact us via email.

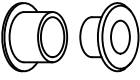
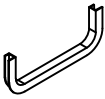

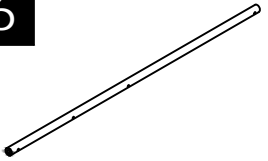





raykeepgoods@outlook.com

<p>1</p>  <p>Side Panel x2</p>	<p>2</p>  <p>End Panel x2</p>	<p>3</p>  <p>Playfield x1</p>	<p>4</p>  <p>Leg x4</p>
<p>5</p>  <p>Support Brace x2</p>	<p>6</p>  <p>Glass x1</p>	<p>7</p>  <p>Scorer x2</p>	<p>8</p>  <p>Support Rod x2</p>
<p>9</p>  <p>Red Players Rod x3</p>	<p>10</p>  <p>Blue Players Rod x3</p>	<p>11</p>  <p>Player Bolt Rod x6</p>	<p>12</p>  <p>Handle x6</p>
<p>13</p>  <p>Soccer ball x2</p>	<p>14</p>  <p>Wrench x1</p>	<p>15</p>  <p>open end wrench x2</p>	<p>A1</p>  <p>1/4"x1-3/4" Bolt x8</p>
<p>A2</p>  <p>1/4"x15mm Washer x18</p>	<p>A3</p>  <p>1/4" Spring Washer x18</p>	<p>A4</p>  <p>1/4" Cap Nut x10</p>	<p>A5</p>  <p>1/4" T-nut x6</p>
<p>A6</p>  <p>1/4"x19mm Washer x6</p>	<p>A7</p>  <p>4x45mm Screw x4</p>	<p>A8</p>  <p>Wood Plug x4</p>	<p>A9</p>  <p>Foam Bumper x6</p>
<p>A10</p>  <p>Rod Washer x6</p>	<p>A11</p>  <p>Spring x6</p>	<p>P1 Pre-installed</p>  <p>T-Nut x8</p>	<p>P2 Pre-installed</p>  <p>Ball Entry Ring x2</p>

ENGLISH

GT23022 PARTS LIST

<p>P3 Pre-installed</p>  <p>Bearing x6</p>	<p>P4 Pre-installed</p>  <p>Goal x2</p>	<p>P5 Pre-installed</p>  <p>Ball Collection Port x2</p>	<p>P6</p>  <p>Players Rod x6</p>
<p>P7</p>  <p>Player -Red x9</p>	<p>P8</p>  <p>Player -Blue x9</p>	<p>P9</p>  <p>4x5mm Screw x36</p>	

ENGLISH

ASSEMBLY INSTRUCTIONS:

1. Find a clean, level place to begin the assembly of your Table. The table will be assembled upside down and then turned over on its legs once the assembly completed.
2. Remove all the parts from the box and verify that you have all of the listed parts as shown on the parts list Carefully cut or tear the four corners of the box so that the bottom of the box can be used as your work surface.



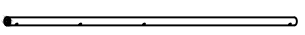









9  x3	A6  x6	P6  x6
10  x3	A9  x6	P7  x9
11  x6	A10  x6	P8  x9
A5  x6	A11  x6	P9  x36

Fig 1

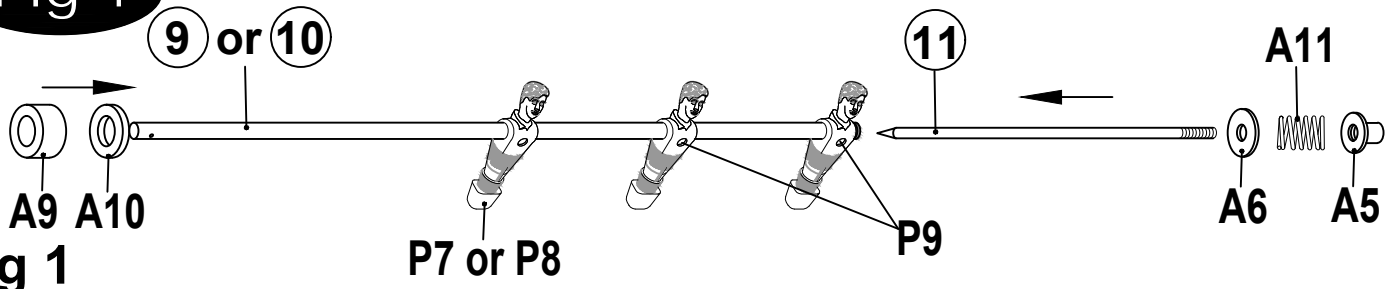


Fig 1

3. Insert a Rod Washer(A10) and a Foam Bumper (A9) into the each Players Rod(#9 & #10) from the end of Players Rod(#9 & #10) with a Hole, then insert the Player Bolt Rod(#11) from the other end of the Players Rod(#9 & #10), place a Washer(A6) and a Spring(A11) on the Player Bolt Rod(#11), and screw a T-nut(A5) onto the iron rod. See FIG.1.

ENGLISH

Fig 2

1		x2
A2		x6
A3		x6
A4		x6
P2		x2
P3		x6

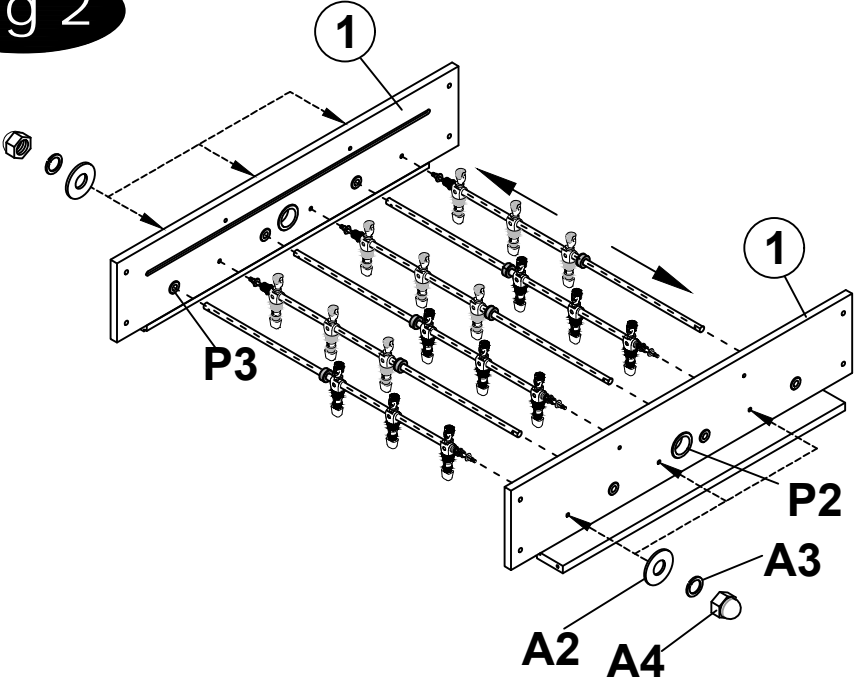


Fig 2

4. Pass the assembled Players Rod through the hole on the Side Panels from the inside, then fix it using a Washer(A2), a Spring Washer (A3) and a Cap Nut(A4). See FIG.2.

Fig 3

2		x1
A8		x2
P4		x1
P5		x1

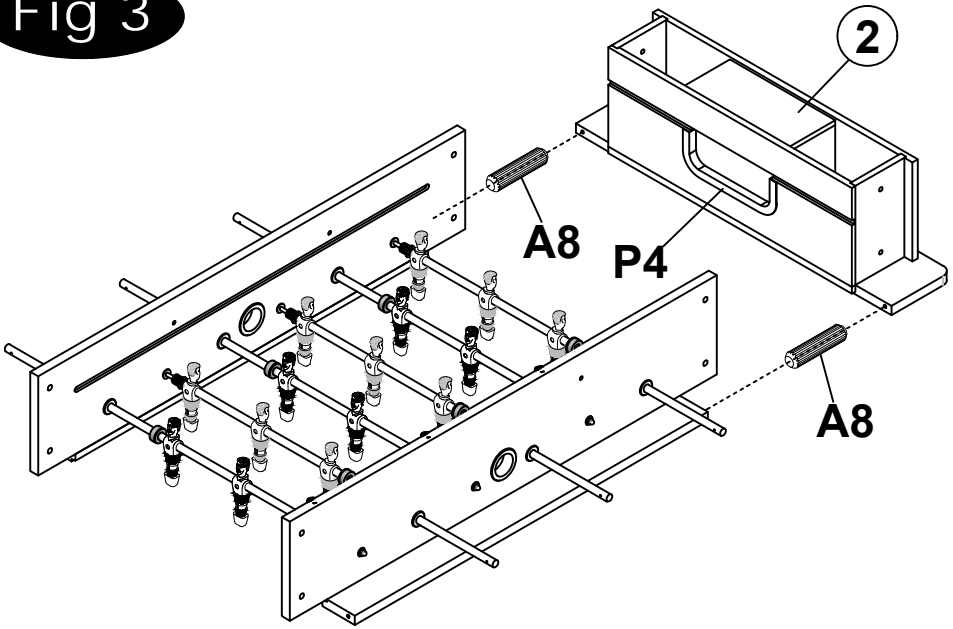


Fig 3

5. The Side Panels(#1) are connected to the End Panel(#2) by Wood Plug(A8), See FIG.3.

ENGLISH

Fig 4

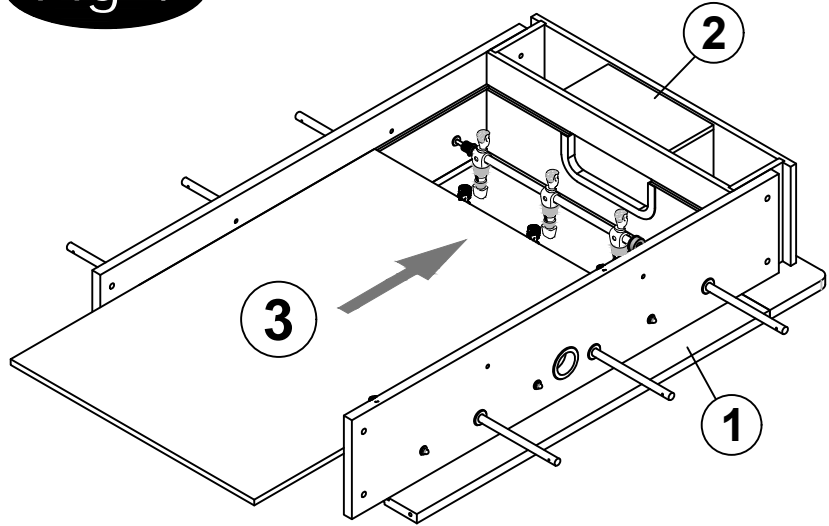
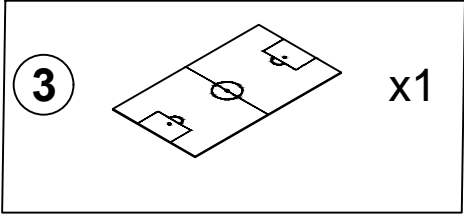


Fig 4

6. Slide the Playfield (#3) into the groove on the Side Panel (#1) and the End Panel (#2) with graphics facing down . See FIG. 4.

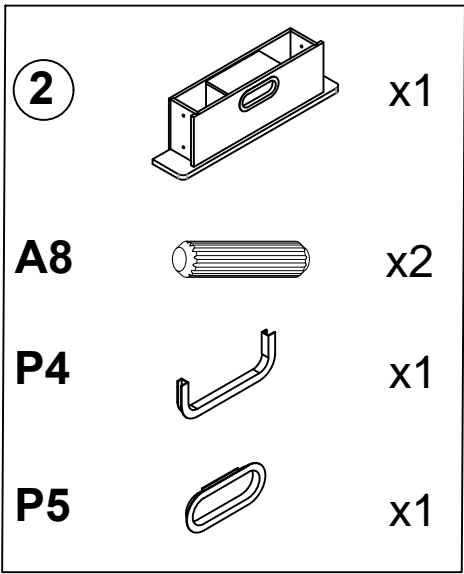


Fig 5

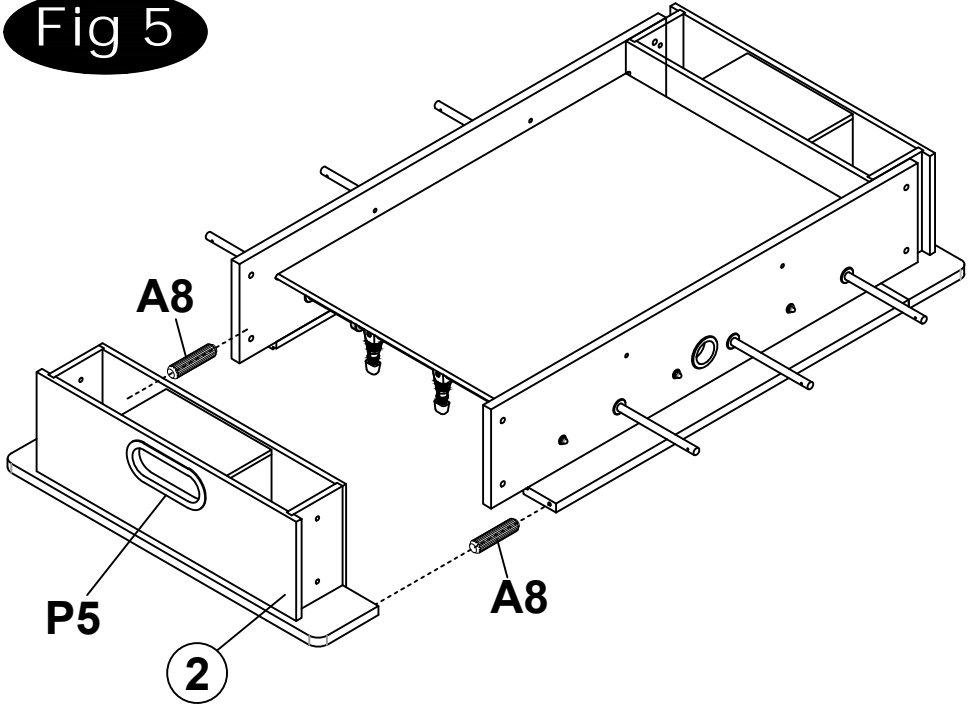


Fig 5

7. The End Panel (#2) is connected to the Side Panels(#1) by Wood Plug, as shown FIG.5.

ENGLISH

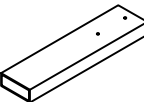
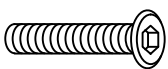



4		x4
A1		x8
A2		x8
A3		x8
P1		x8

Fig 6

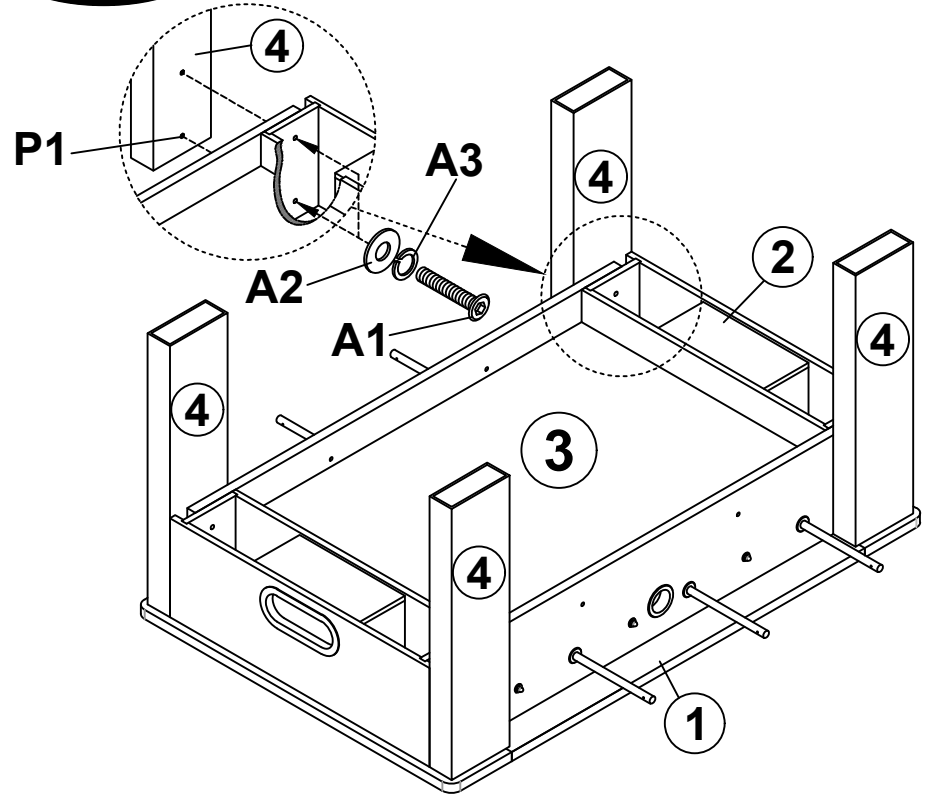


Fig 6

7. Attach the Legs (#4) to the Table using two Bolts (A1) ,two Spring Washer and two Washers (A2) per Leg. See FIG. 6.


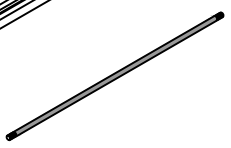



5		x2
8		x2
A2		x4
A3		x4
A4		x4

Fig 7

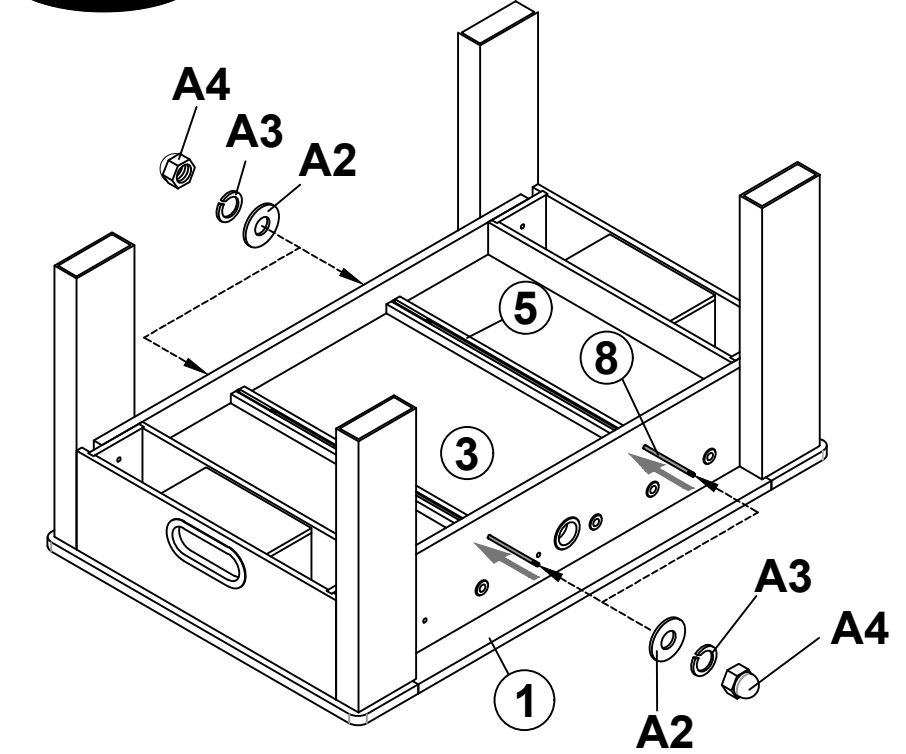


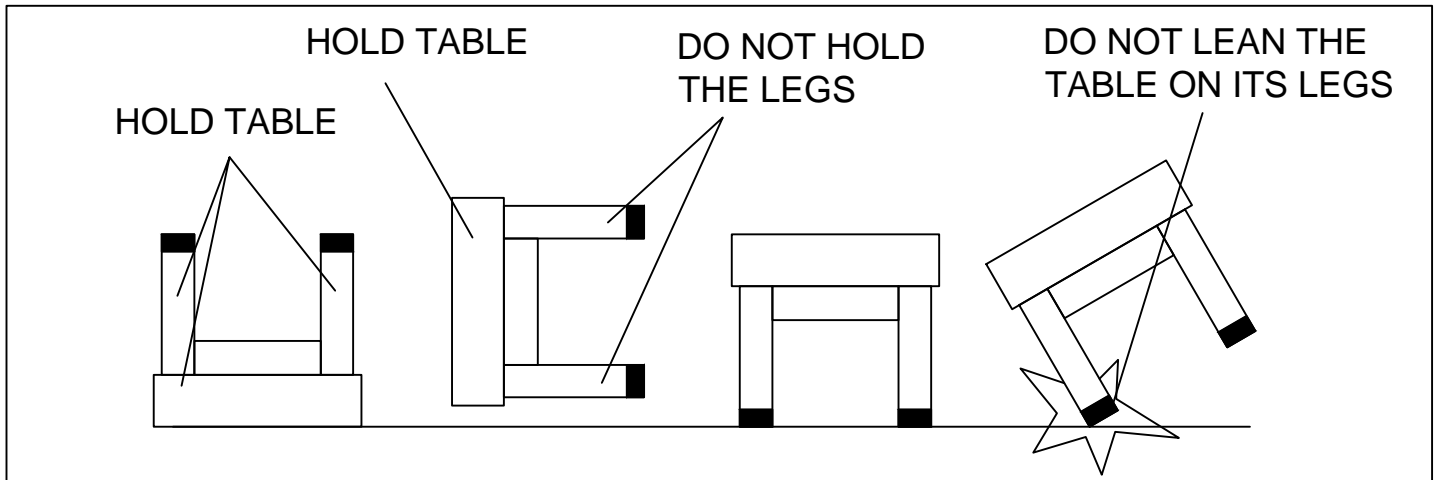
Fig 7

8. Place the Support Braces(#5) on the bottom of the Playfield(#3). insert Support Rods(#8) through the holes in the side panels(#1) and the groove in the Support Braces(#5) as shown in FIG.7. Place washers(A2),Spring Washers(A3) and Cap Nuts(A4) on each end of Support Rods(#8).

ENGLISH

9. Lift the table assembly from the floor with two adults, turn it over, and set the table on its leg in the location where you will play.

Go back and make sure that all connections are tight.



CAUTION: Two strong adults are recommended to turn the table over as shown.

1. Lift the table off the ground.
2. Turn the table over.
3. Place it on all four feet at the same time on the ground.

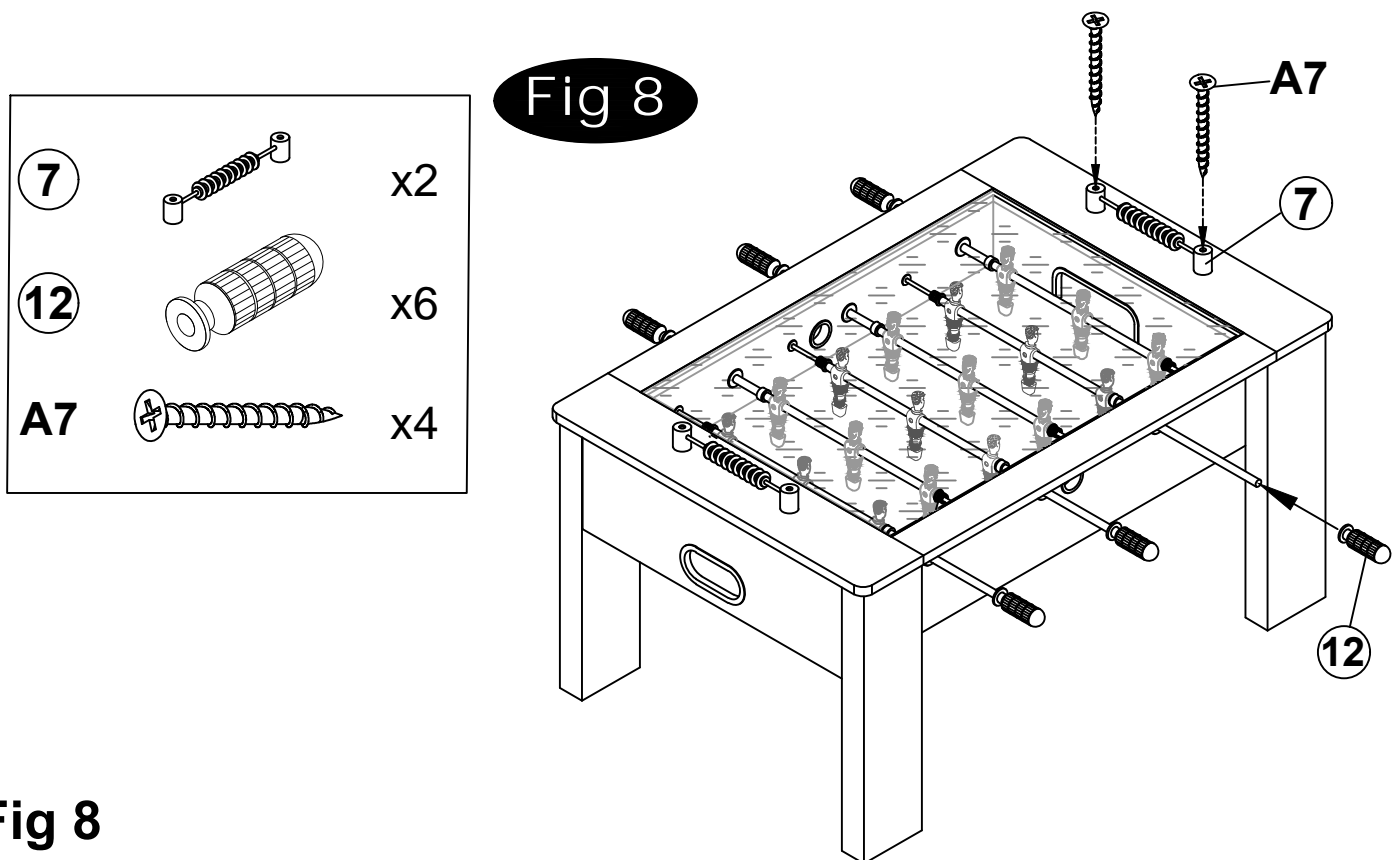


Fig 8

10. Attach two set of Scorers(#7) to the End panels(#2) using screws(A7). See FIG.8.
11. Push a Handle (#12) onto each of the Players Rod(#9 & #10) as shown FIG. 8.

ENGLISH

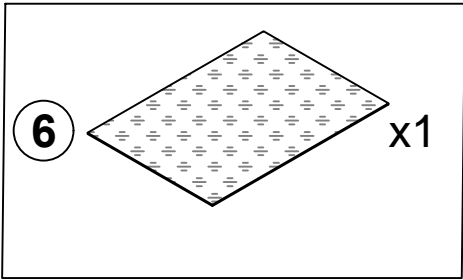


Fig 9

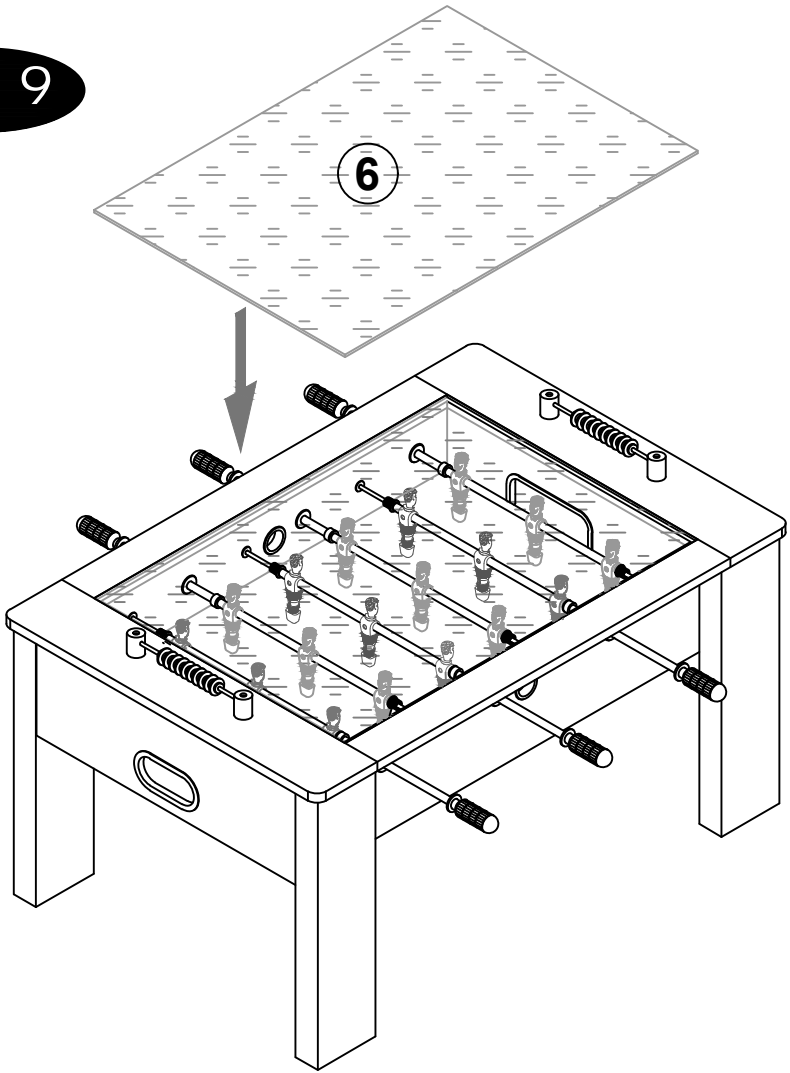


Fig 9

12. Place the Glass Plate(#6) into the slot in the middle of the tabletop as shown FIG.9
EVA stickers are around. You can choose to tear it off, keep the glass in place.