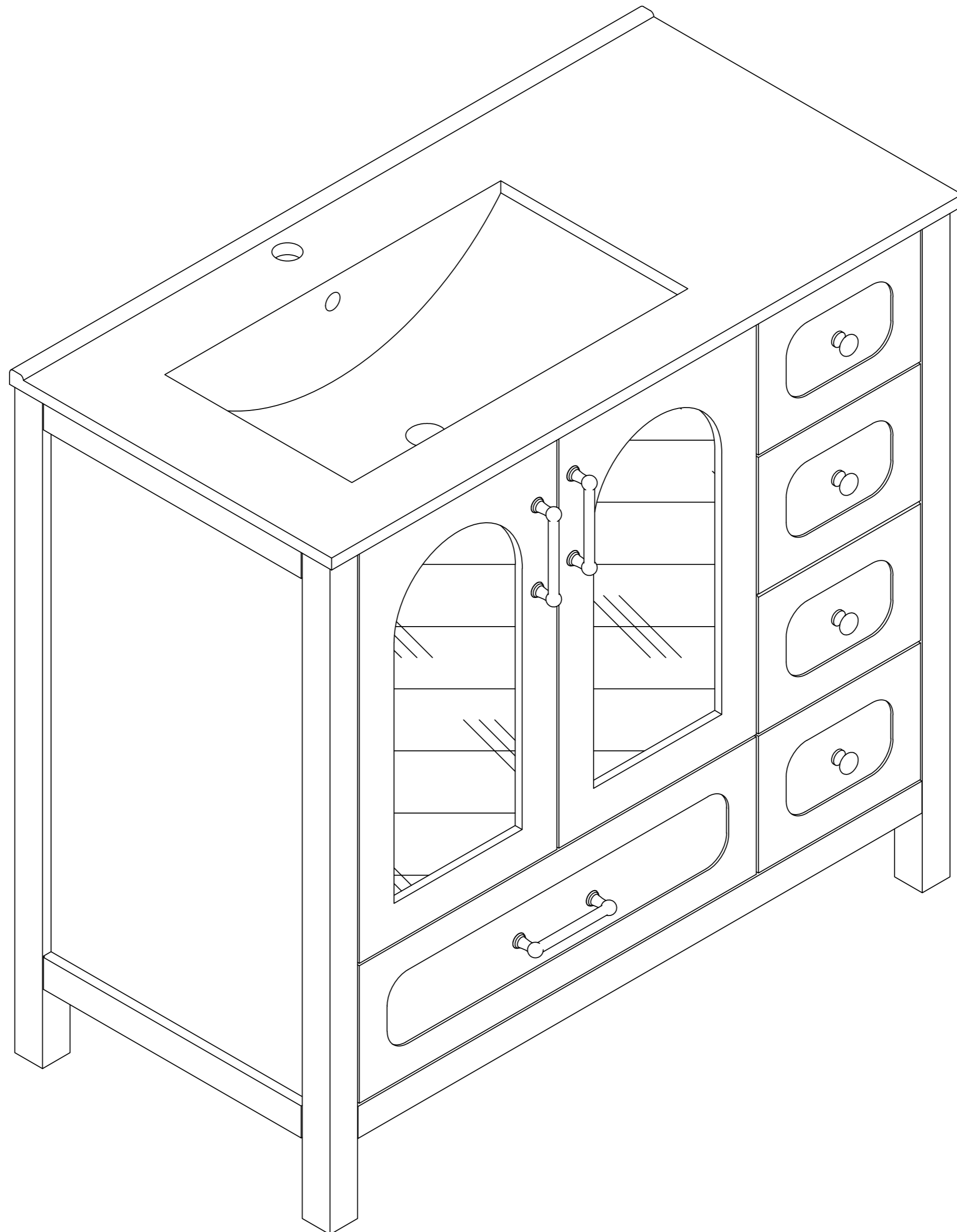


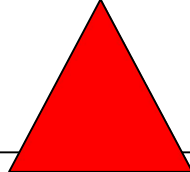
ASSEMBLY INSTRUCTIONS

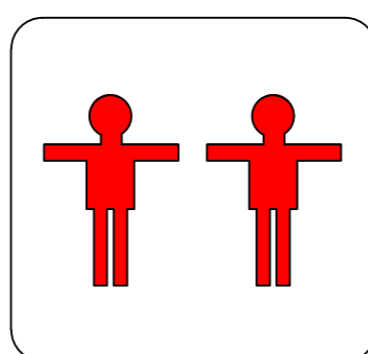
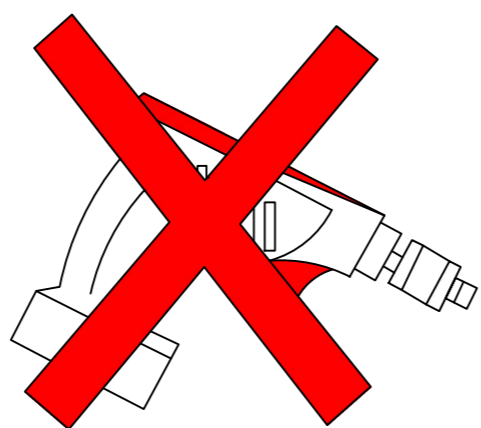
36" BATHROOM VANITY



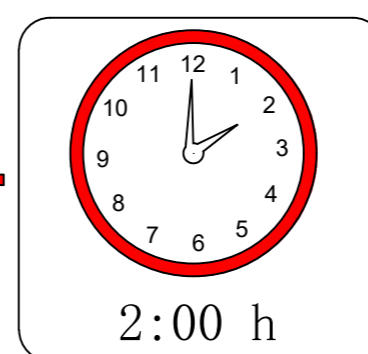
Thank you for purchasing this quality product. Be sure to check all packing material carefully for small parts which may have come loose inside the carton during shipment. Separate, identify and count all parts and hardware. Compare with the parts list to be sure all parts are present.

"DO NOT TIGHTEN SCREWS UNTIL COMPLETELY ASSEMBLED"

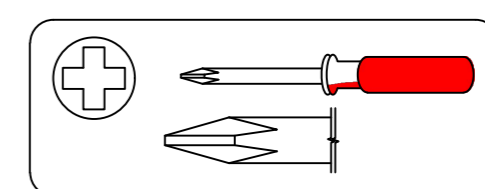

* Use of power tool to assemble this product will invalidate any claim and damage this product making unsafe!!!
*Please assemble on a clean soft surface to avoid damage.



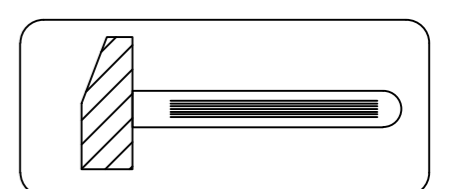
+



Tools Required



(Not included)



(Not included)

IMPORTANT:

PLEASE READ INSTRUCTION BEFORE STARTING THE ASSEMBLY

PLEASE DO NOT RETURN TO STORE



**Please do not return this product to the retailer!!
We are able to assist you in ANY way**

If you find that you have any trouble with assembly or missing or damaged parts please contact the seller.

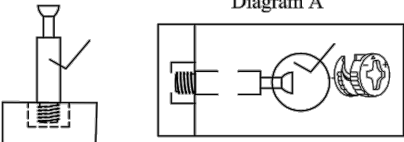
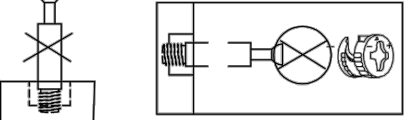
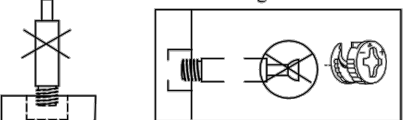
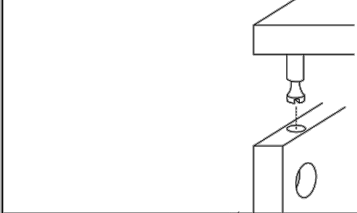
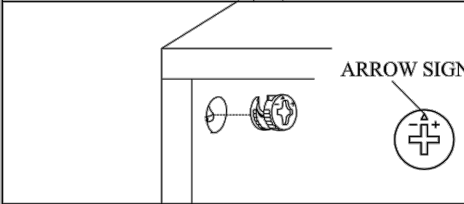
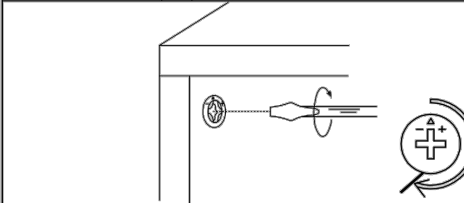
Before Installation

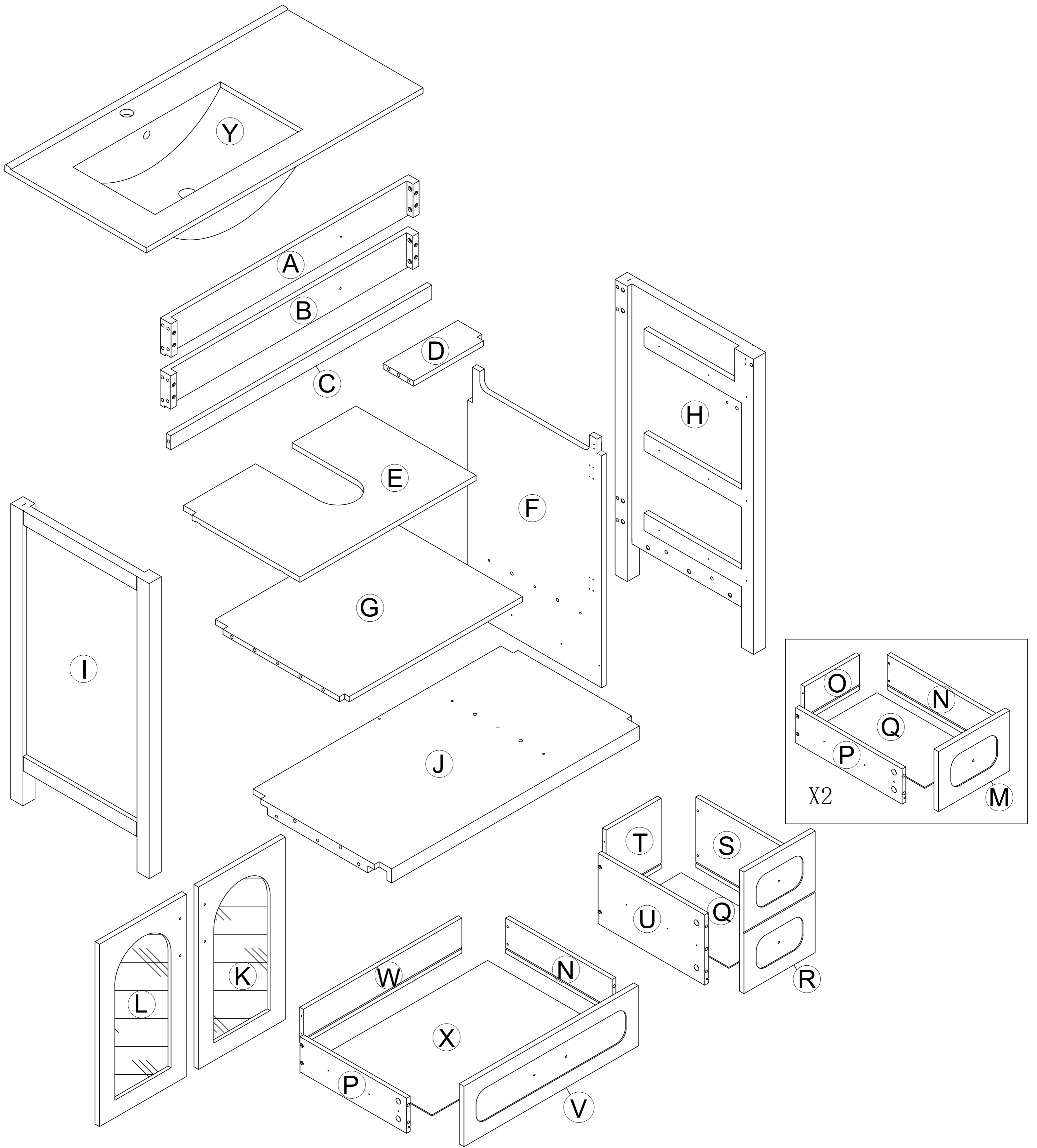
Important – Please read these instructions fully before starting assembly

Thank you for purchasing this quality product. Be sure to check all packing materials carefully for small parts, which may have come loose inside the carton during shipment. Identify and count all items according to the PARTS LIST and/or HARDWARE LIST shown below. Check you have all the components and tools listed on the following pages.

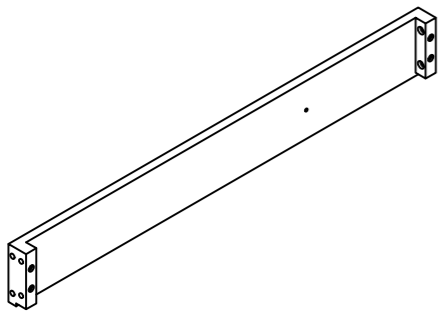
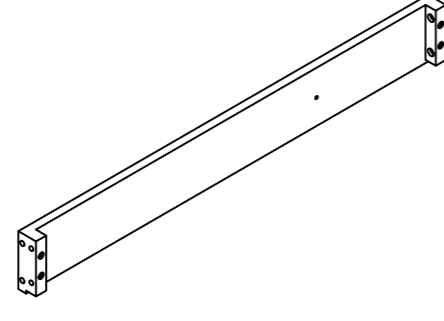
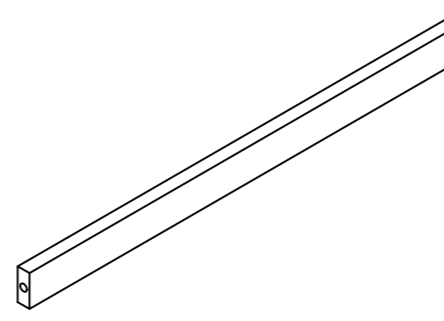
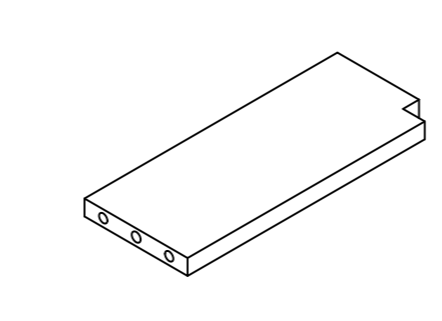
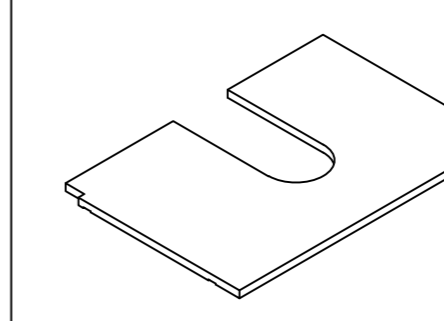
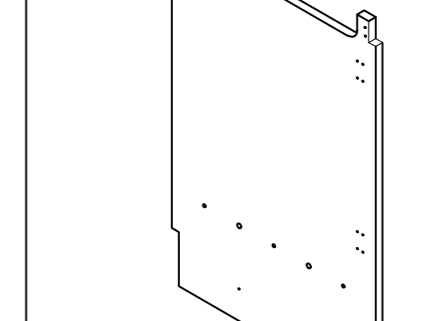
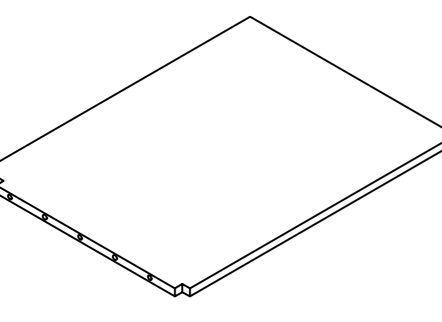
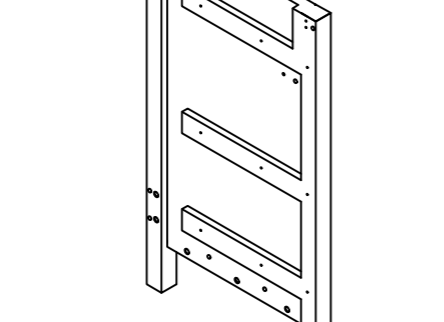
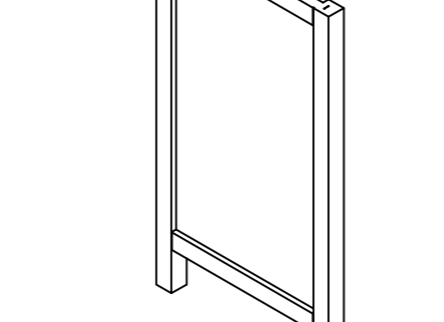
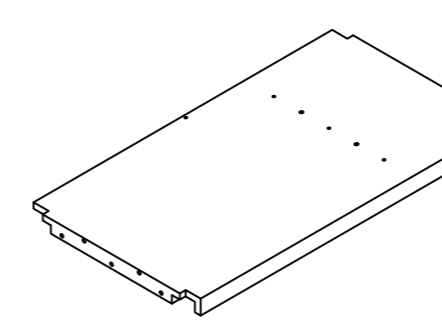
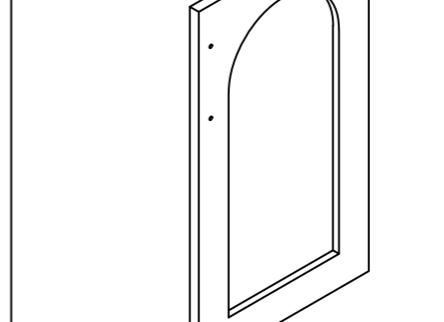
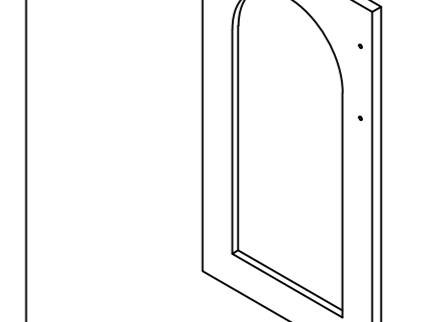
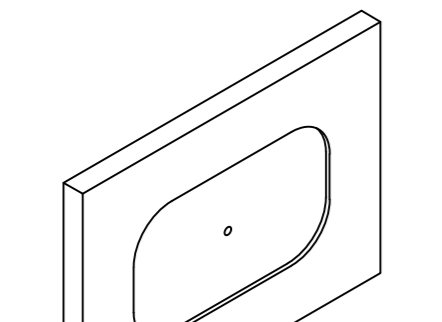
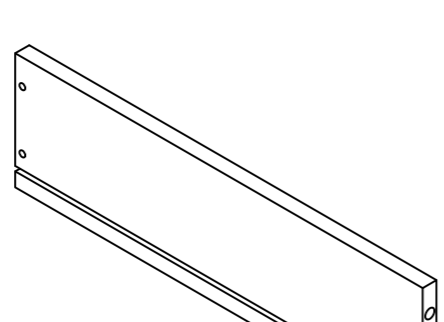
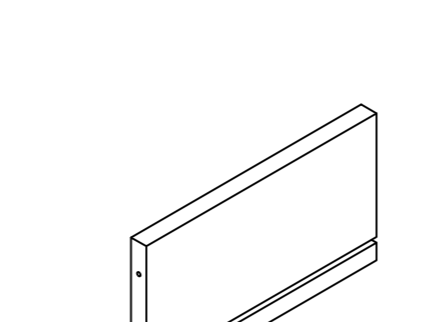
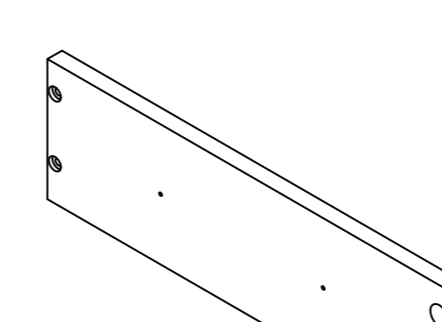
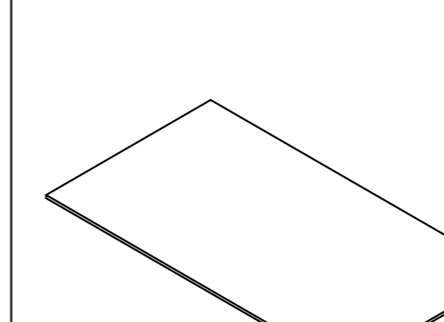
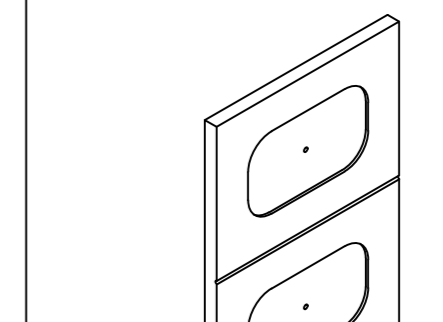
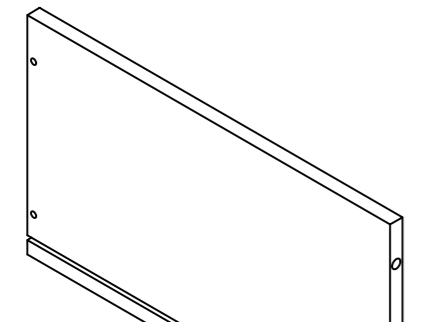
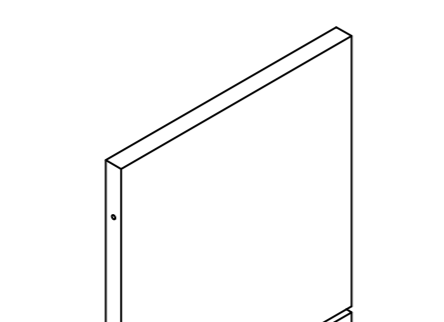
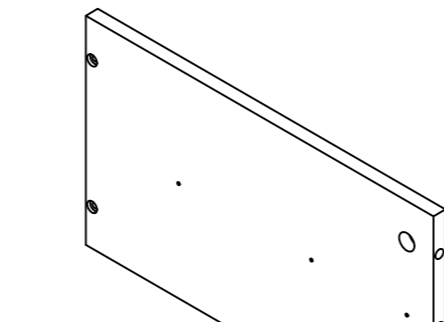
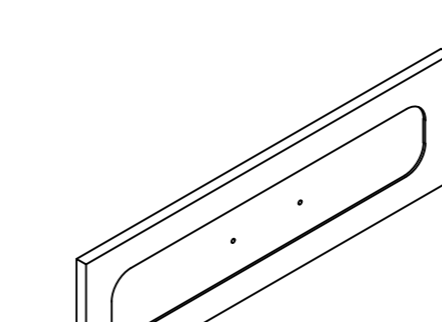
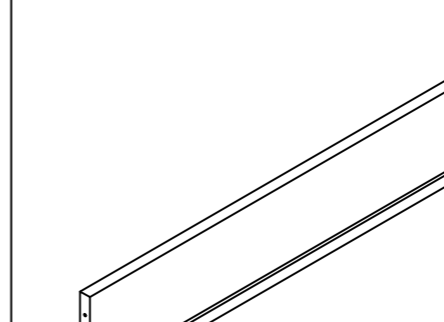
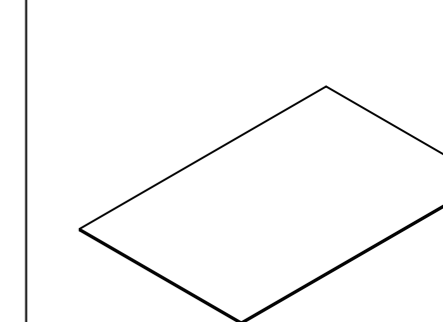
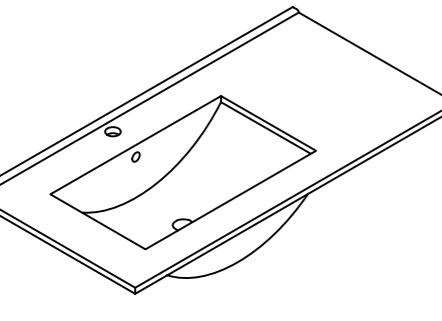
- We recommend that you assemble this product with the assistance of another person; this will make the assembly easier, and will help eliminate damage to the product or injury to persons during assembly.
- Please do not over tighten screws or bolts until the assembly is completed.
- Keep children and animal away from the work area, small parts could choke if swallowed.
- Please put all parts on a non-abrasive floor before assembly, and follow the assembly steps to assemble your newly purchased product correctly and efficiently.

Cam Lock Assembly Instructions

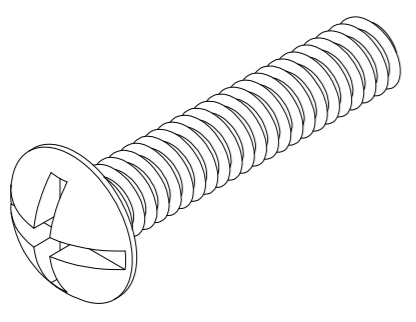
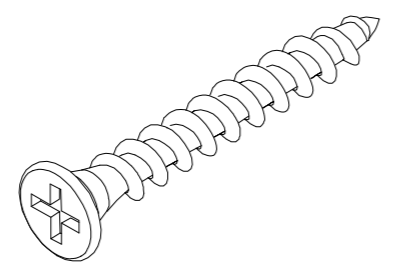
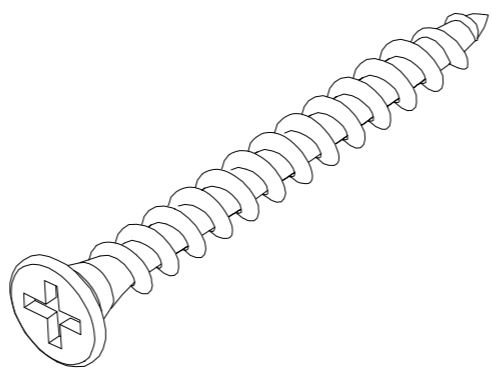
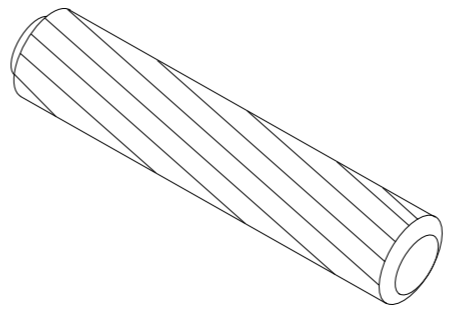
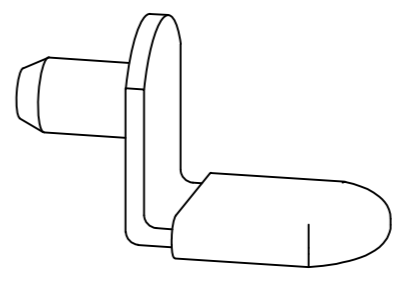
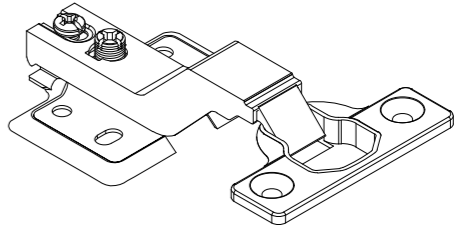

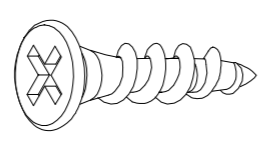
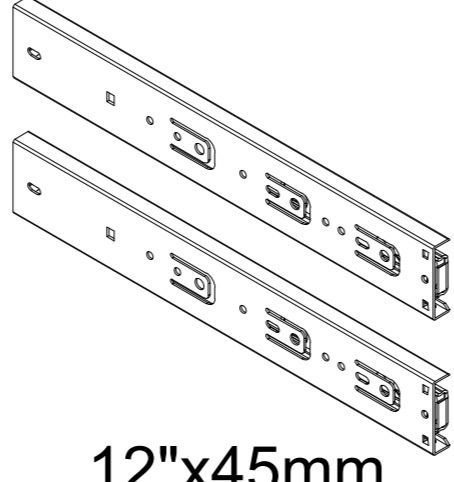
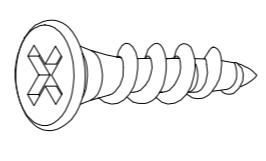
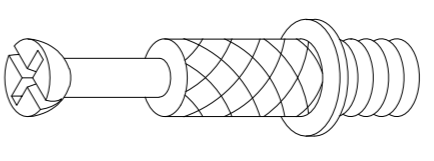
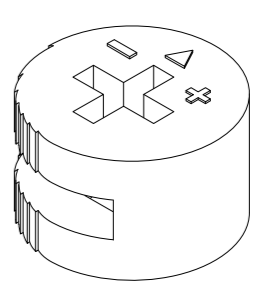
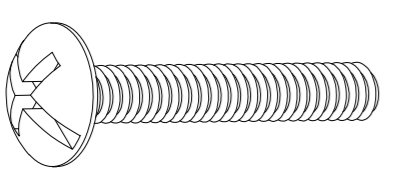
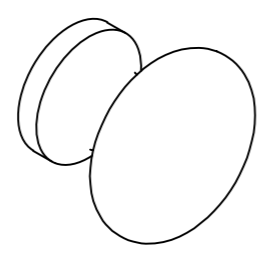
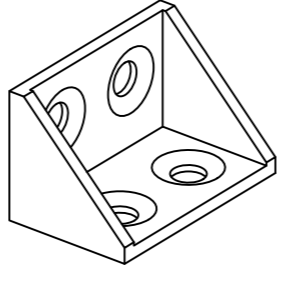
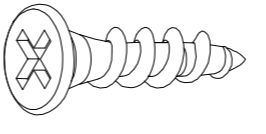
	<p>Diagram A</p> <p>Insert Cam Bolt into hole as shown in diagram A.</p>
	<p>Diagram B</p> <p>Make sure not to insert the Cam Bolt: Too deep as shown in figure B as this will cause the Cam Lock to be misaligned and unable to interlock properly.</p>
	<p>Diagram C</p> <p>Also avoid inserting the Cam Bolt too close to the surface of the hole as shown in figure C, as this will cause the Cam Lock to be too loose, and not interlock properly.</p>
	<p>Connect the panels together.</p>
	<p>ARROW SIGN</p> <p>Insert the Cam Lock so the side opening fits over the head of the Cam Bolt.</p>
	<p>To tighten the Cam Lock, turn it clockwise on half a turn with a flat screwdriver. <i>*Do not use an automatic screwdriver as it may bend or break if too much power is imposed.</i></p>



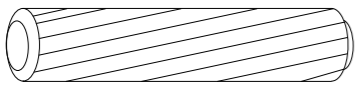
PRODUCT PARTS :

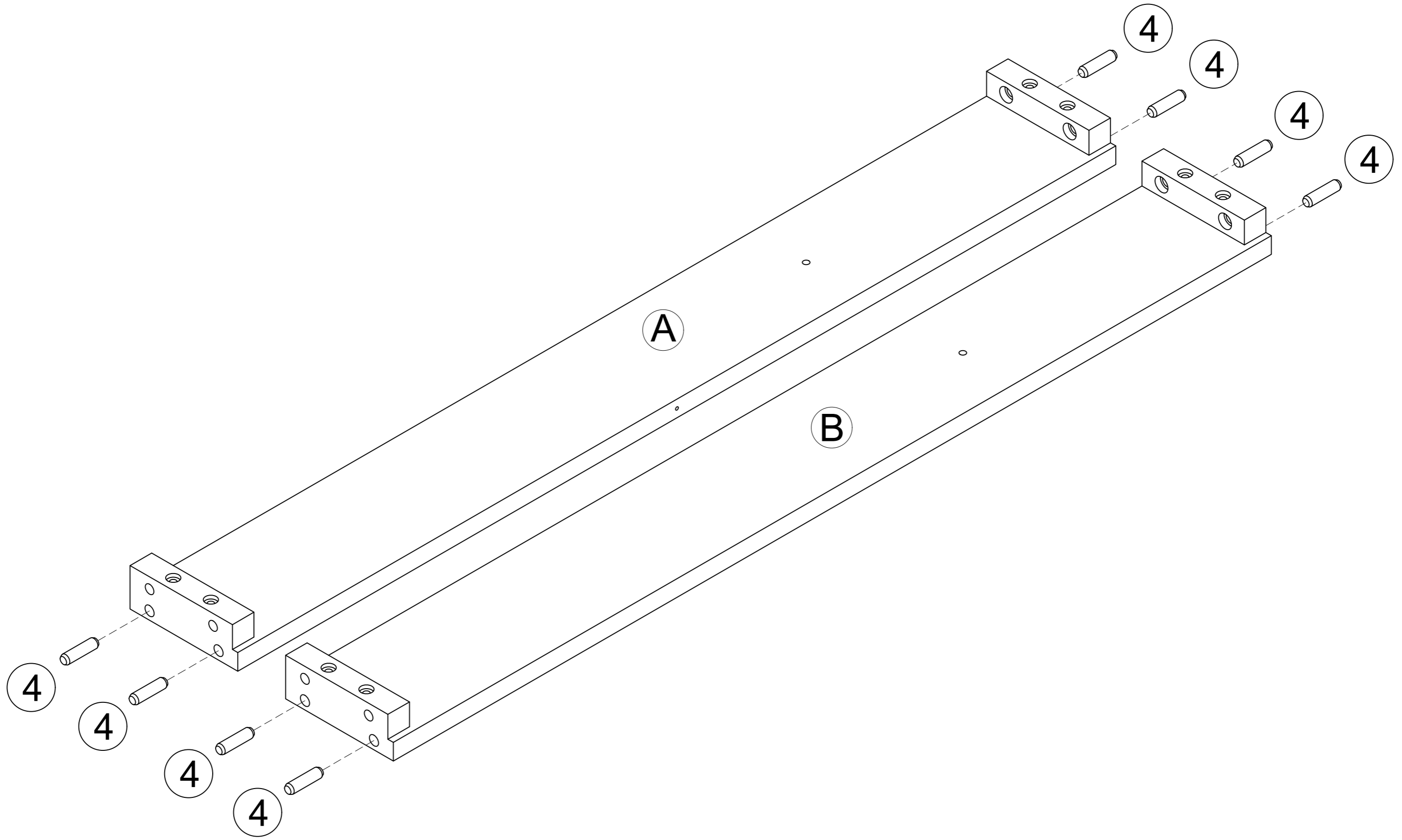
A	B	C	D	E	F
					
1PC	1PC	1PC	1PC	1PC	1PC
G	H	I	J	K	L
					
1PC	1PC	1PC	1PC	1PC	1PC
M	N	O	P	Q	R
					
2PCS	3PCS	2PCS	3PCS	3PCS	1PC
S	T	U	V	W	X
					
1PC	1PC	1PC	1PC	1PC	1PC
Y					
					
1PC					

HARDWARE :

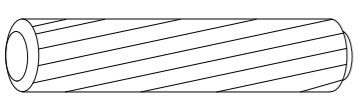
①	②	③	④	⑤	⑥
					
1/4"x25mm	Ø4x25mm	Ø4x35mm	Ø8x30mm		
14+1 PCS	16+1 PCS	6 PCS	24+2 PCS	4 PCS	4 PCS
⑦	⑧	⑨	⑩	⑪	⑫
					
	Ø4x12mm	12"x45mm	Ø3x10mm	Ø6x33mm	Ø15x9mm
3 PCS	24+2 PCS	4 SET	48+2 PCS	25+2 PCS	25+2 PCS
⑬	⑭	⑮	⑯		
					
5/32"x18mm		20x20x33mm	Ø3x12mm		
10 PCS	4 PCS	3 PCS	12 PCS		

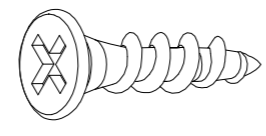
STEP 1

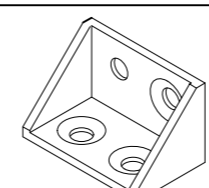
- 4  8pcs
Ø8x30mm

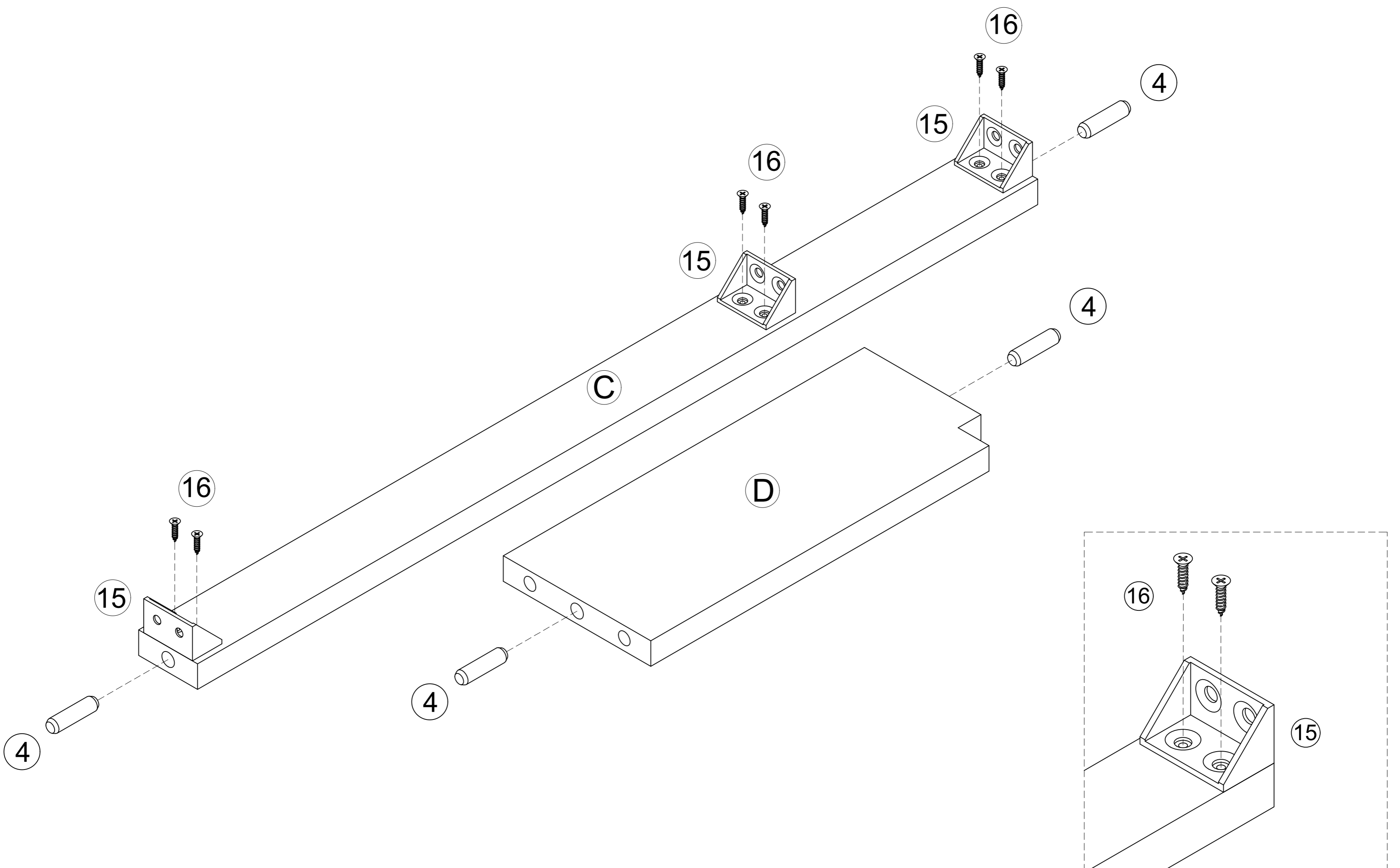


STEP 2

- 4  4pcs
Ø8x30mm

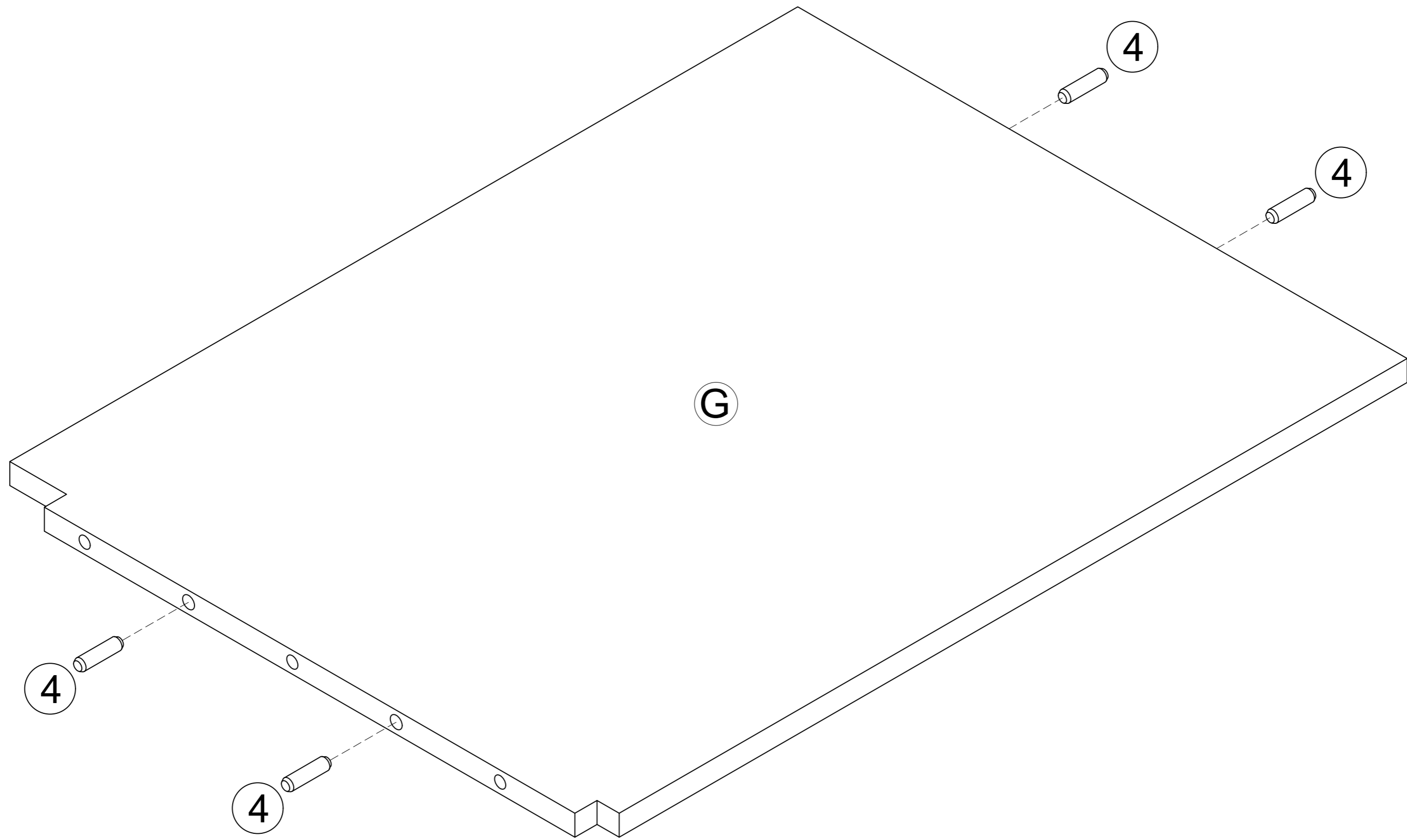
- 16  6pcs
Ø3x12mm

- 15  3pcs

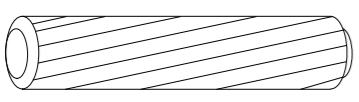


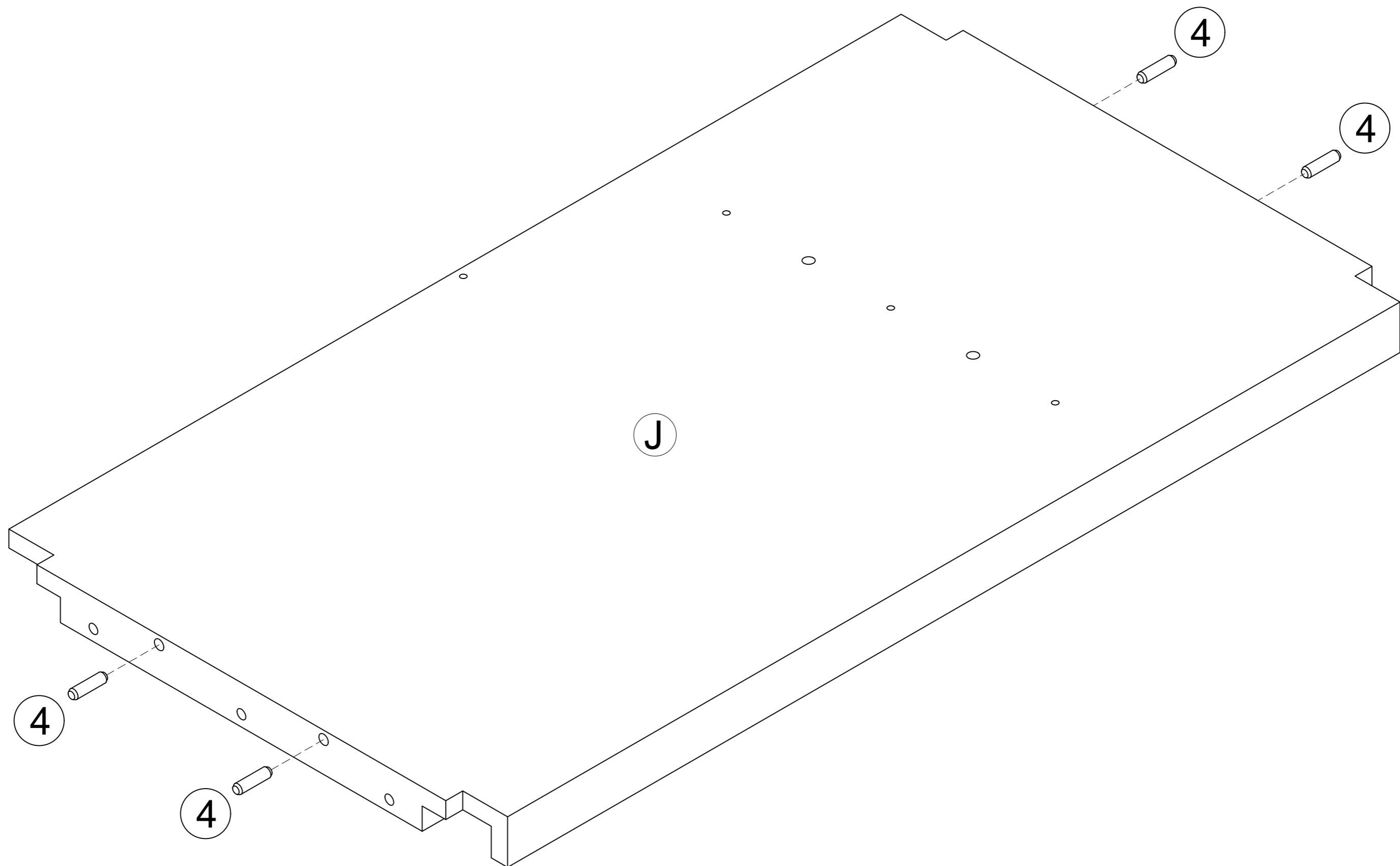
STEP 3

4  4pcs
Ø8x30mm

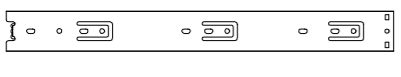


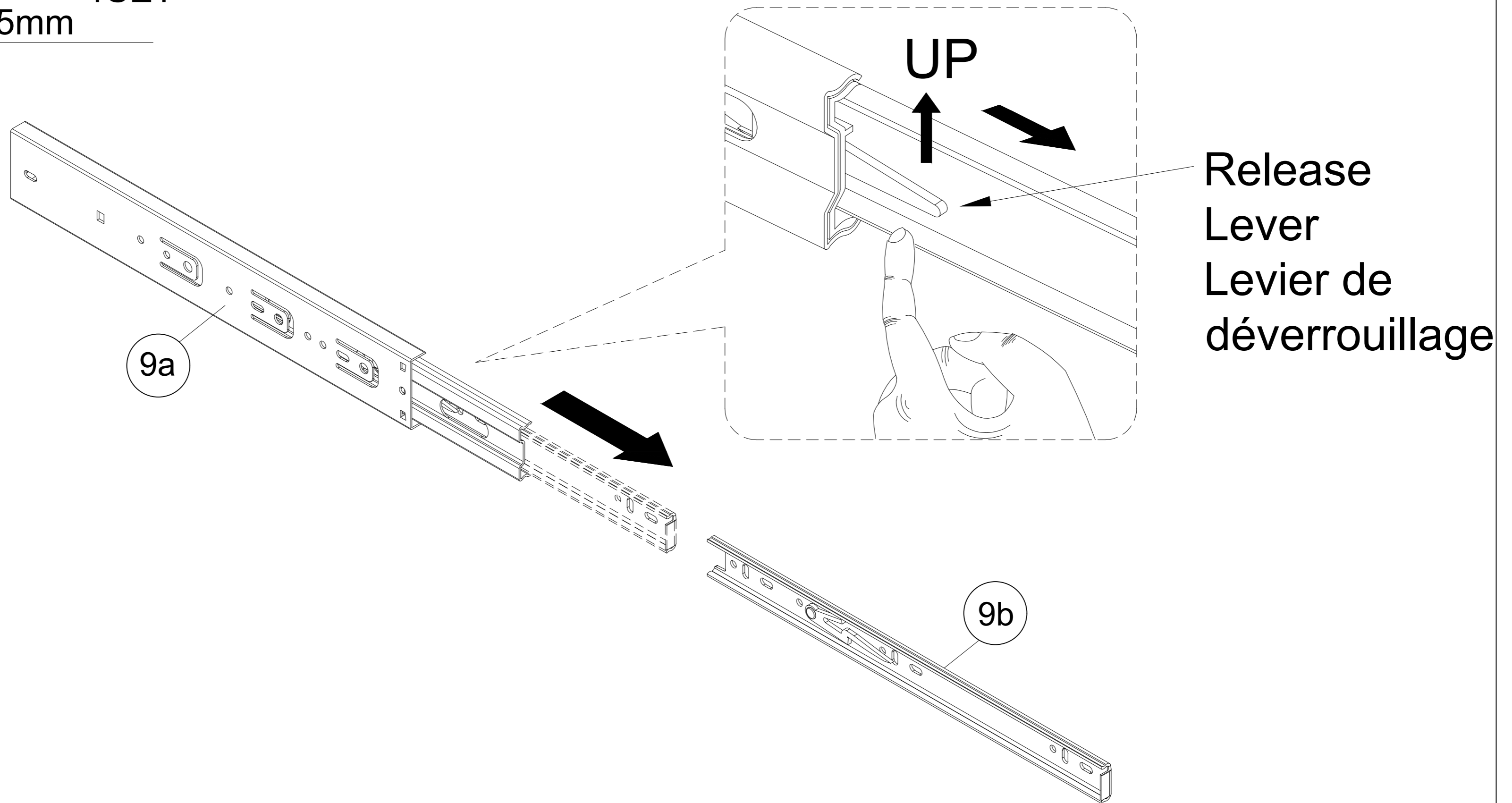
STEP 4

4  4pcs
Ø8x30mm



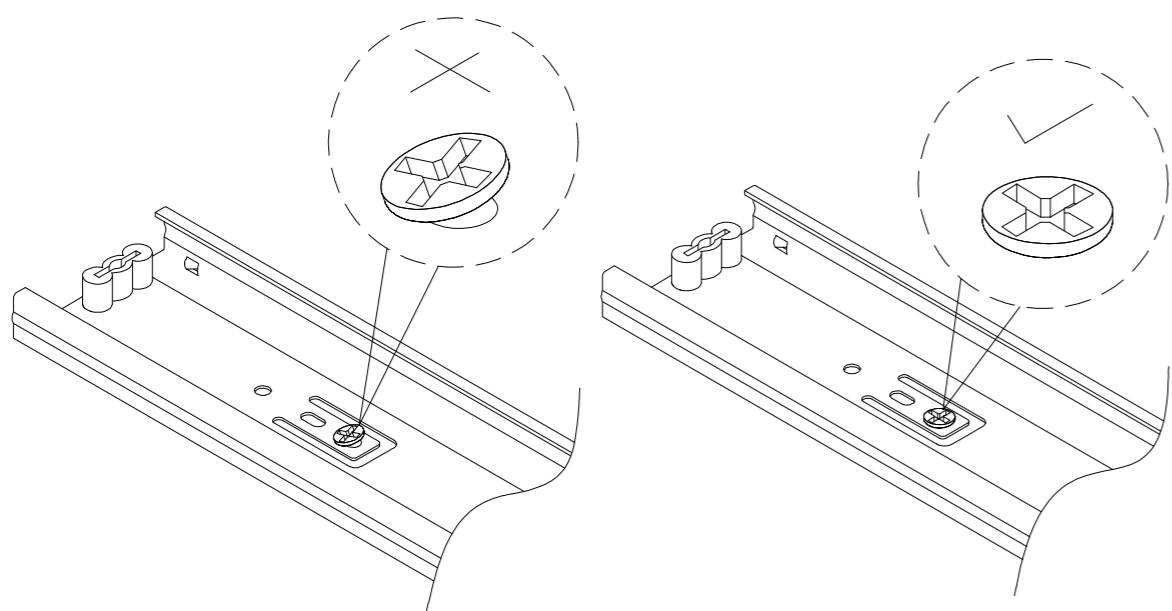
STEP 5

- 9  1SET
12"x45mm

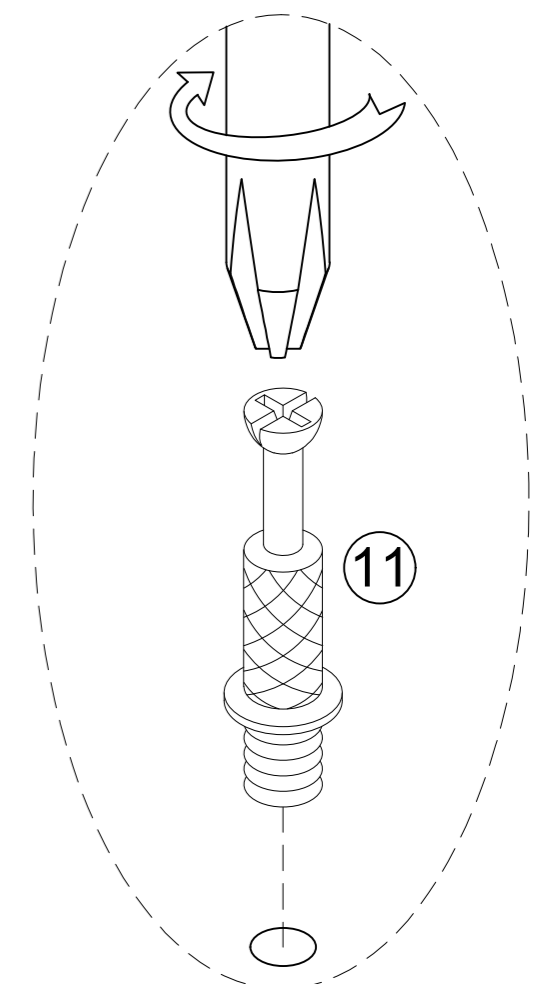
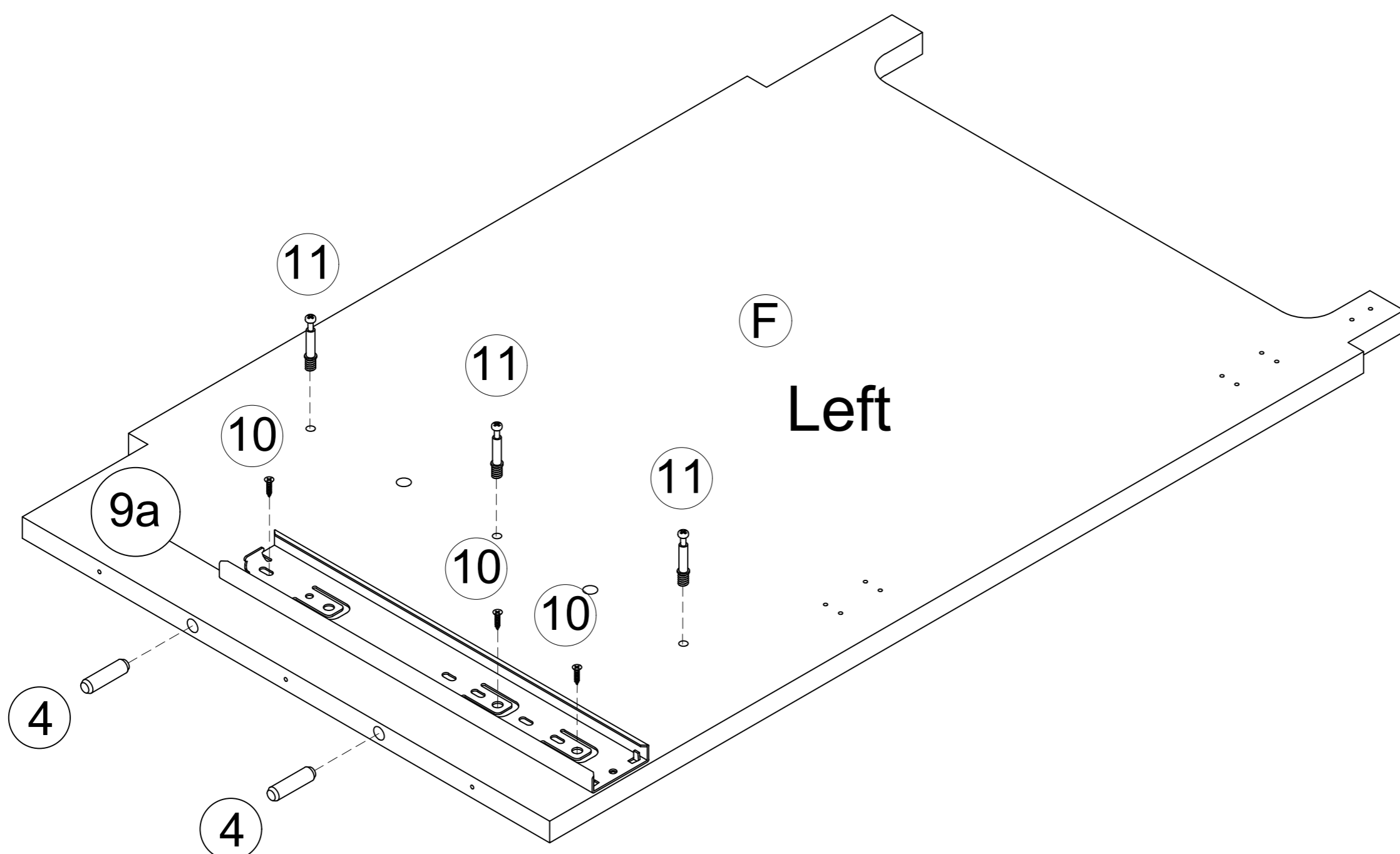
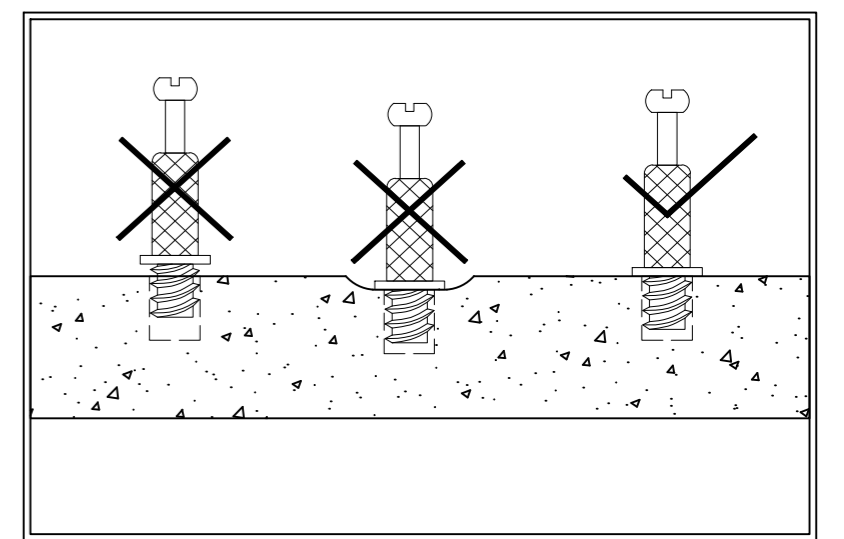
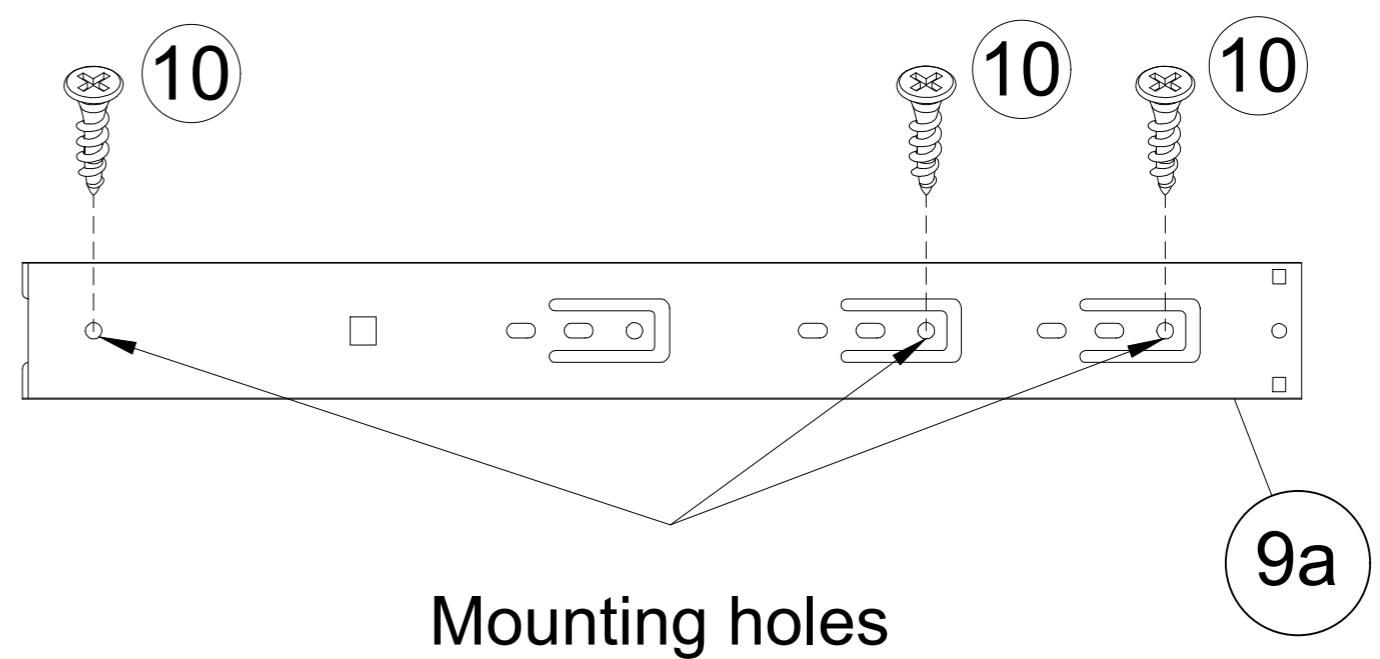


STEP 6

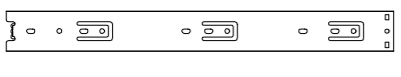
- 9a  1pc 12"x45mm
- 10  3pcs Ø3x10mm
- 4  2pcs Ø8x30mm
- 11  3pcs Ø6x33mm

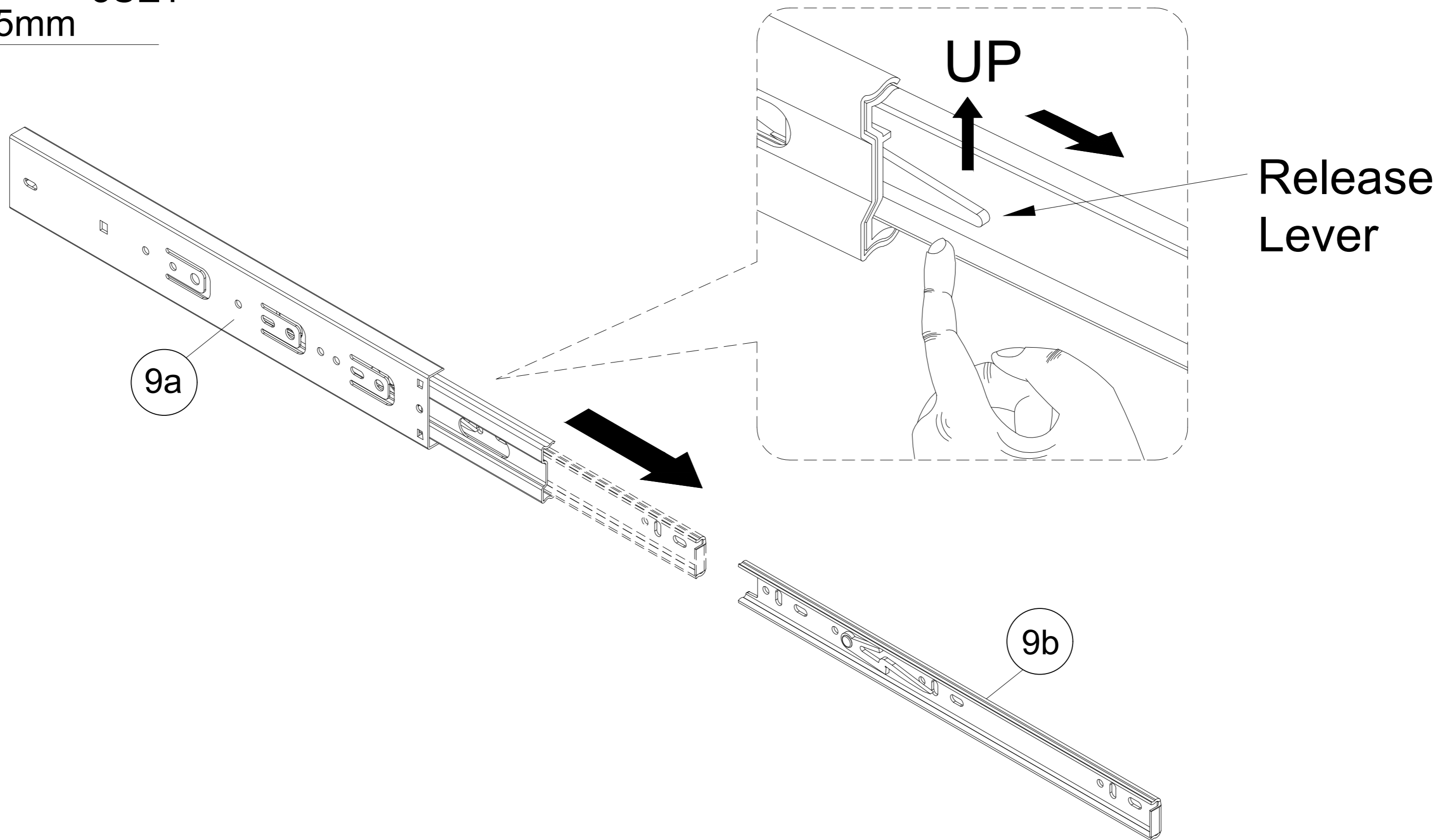


Please make sure that the screw is VERTICAL so as not to affect the sliding of the drawer.


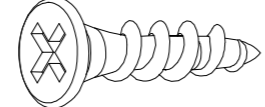
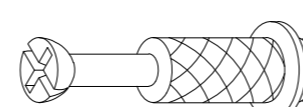


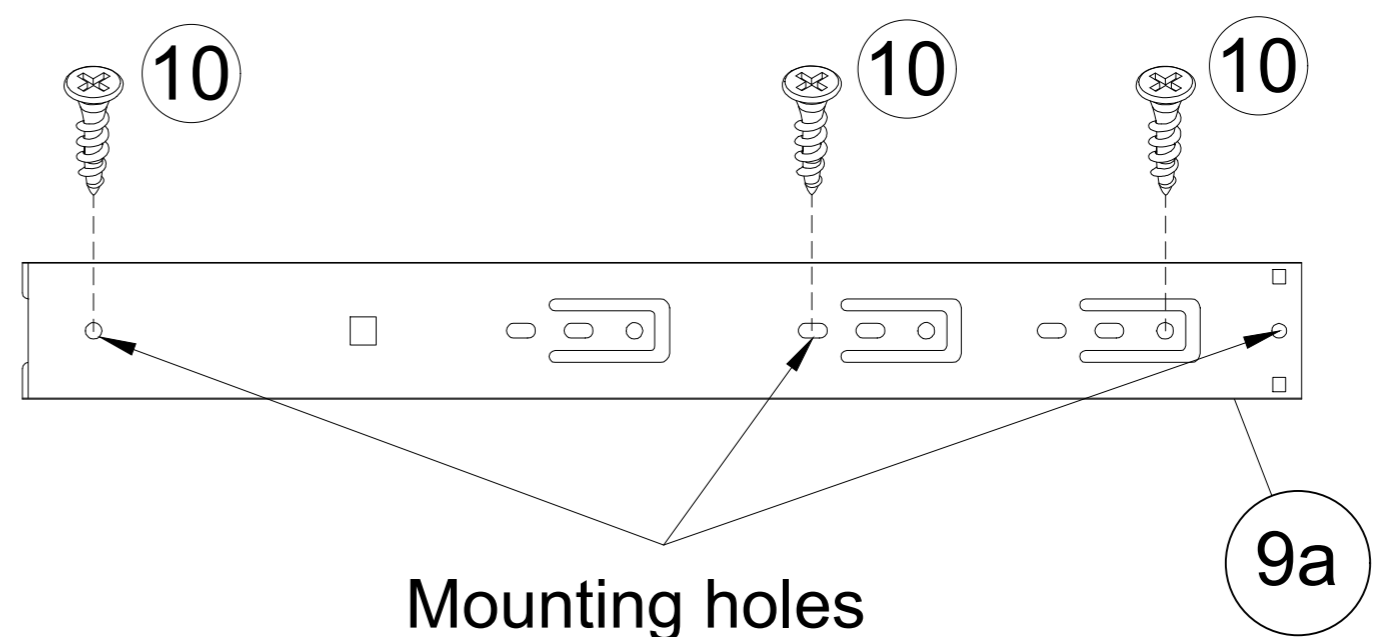
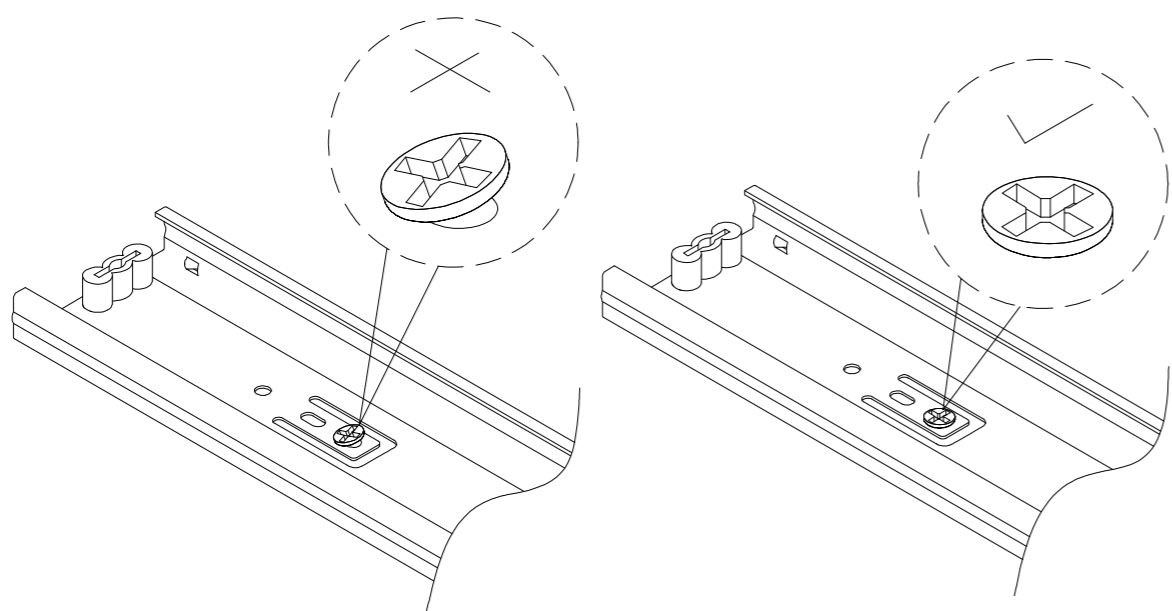
STEP 7

- 9  3SET
12"x45mm

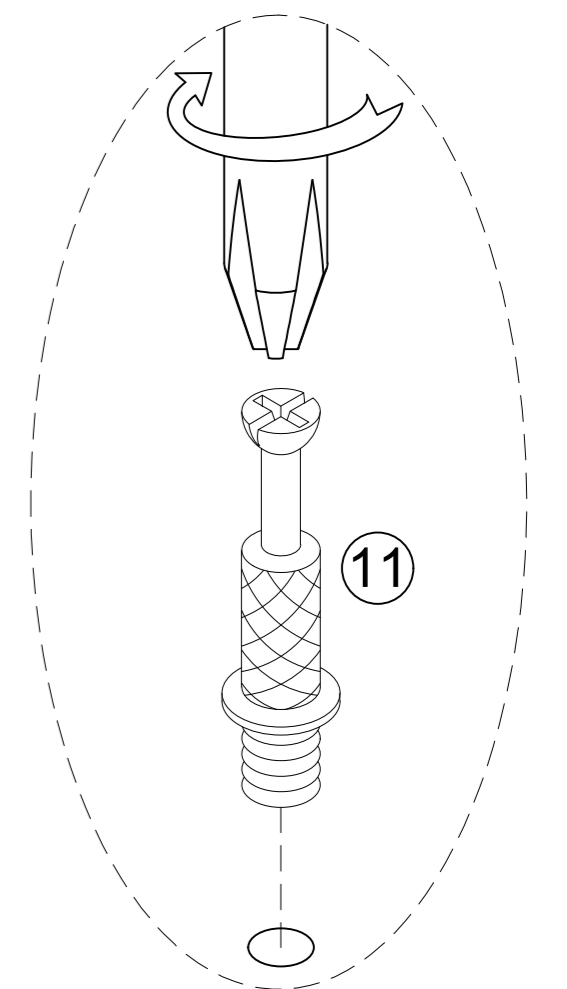
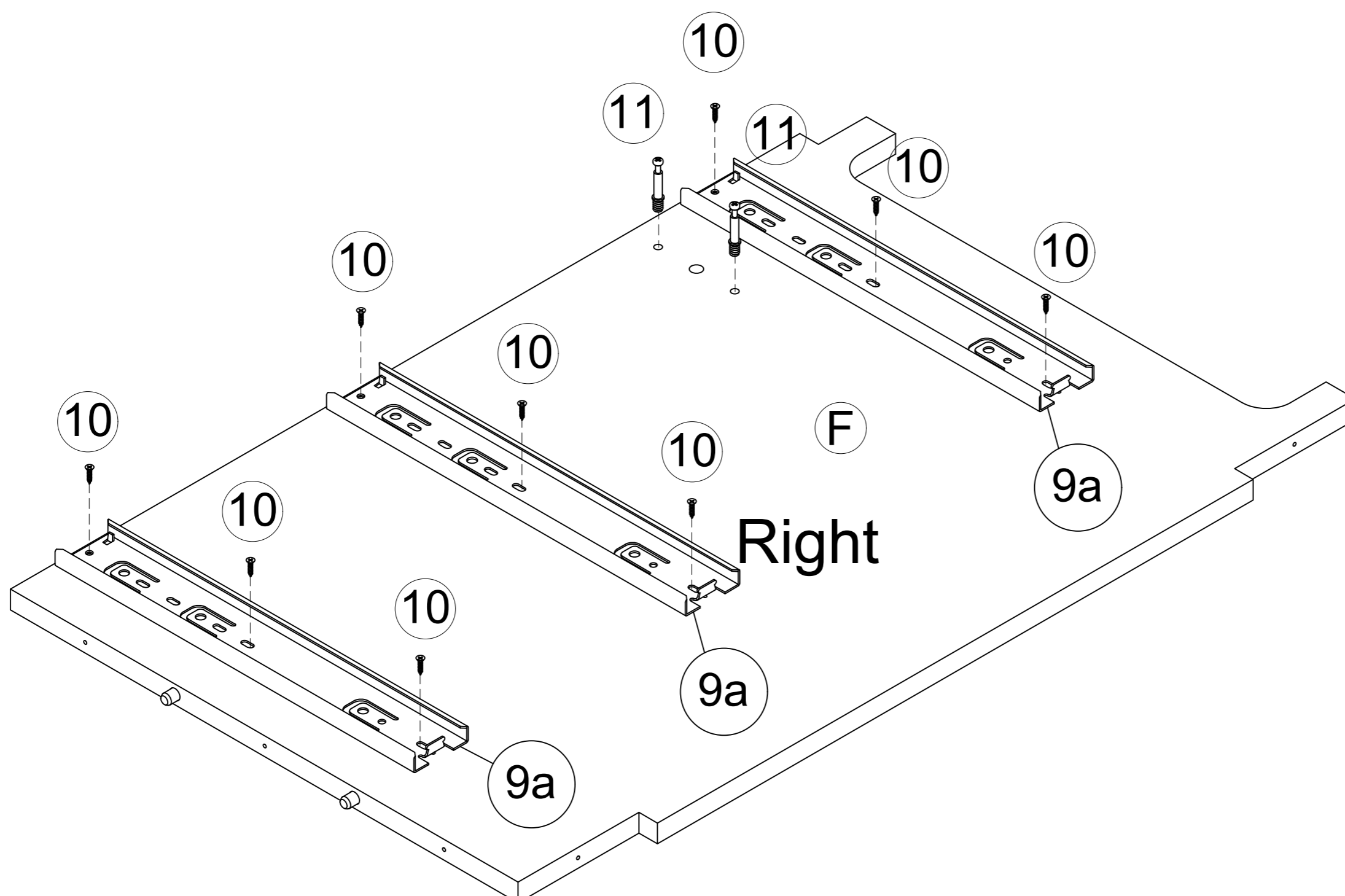
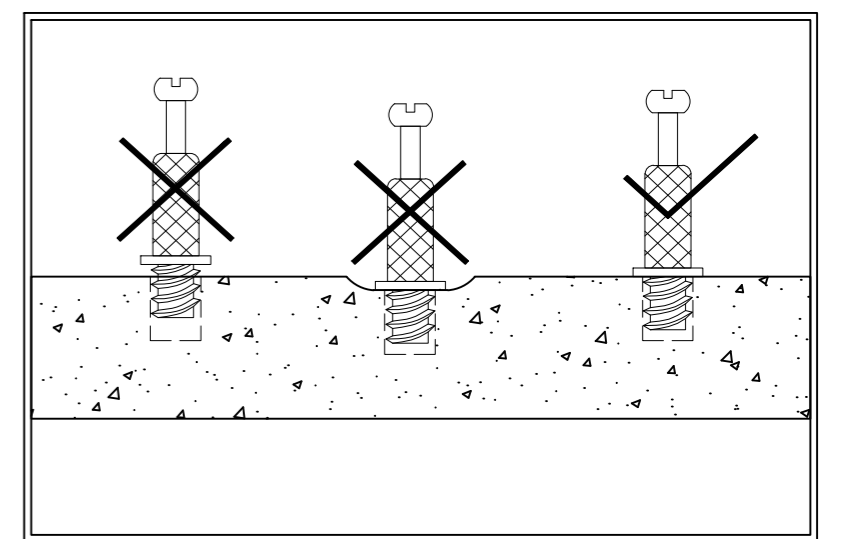


STEP 8

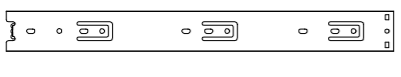
- 9a  3pcs 12"x45mm
- 10  9pcs Ø3x10mm
- 11  2pcs Ø6x33mm

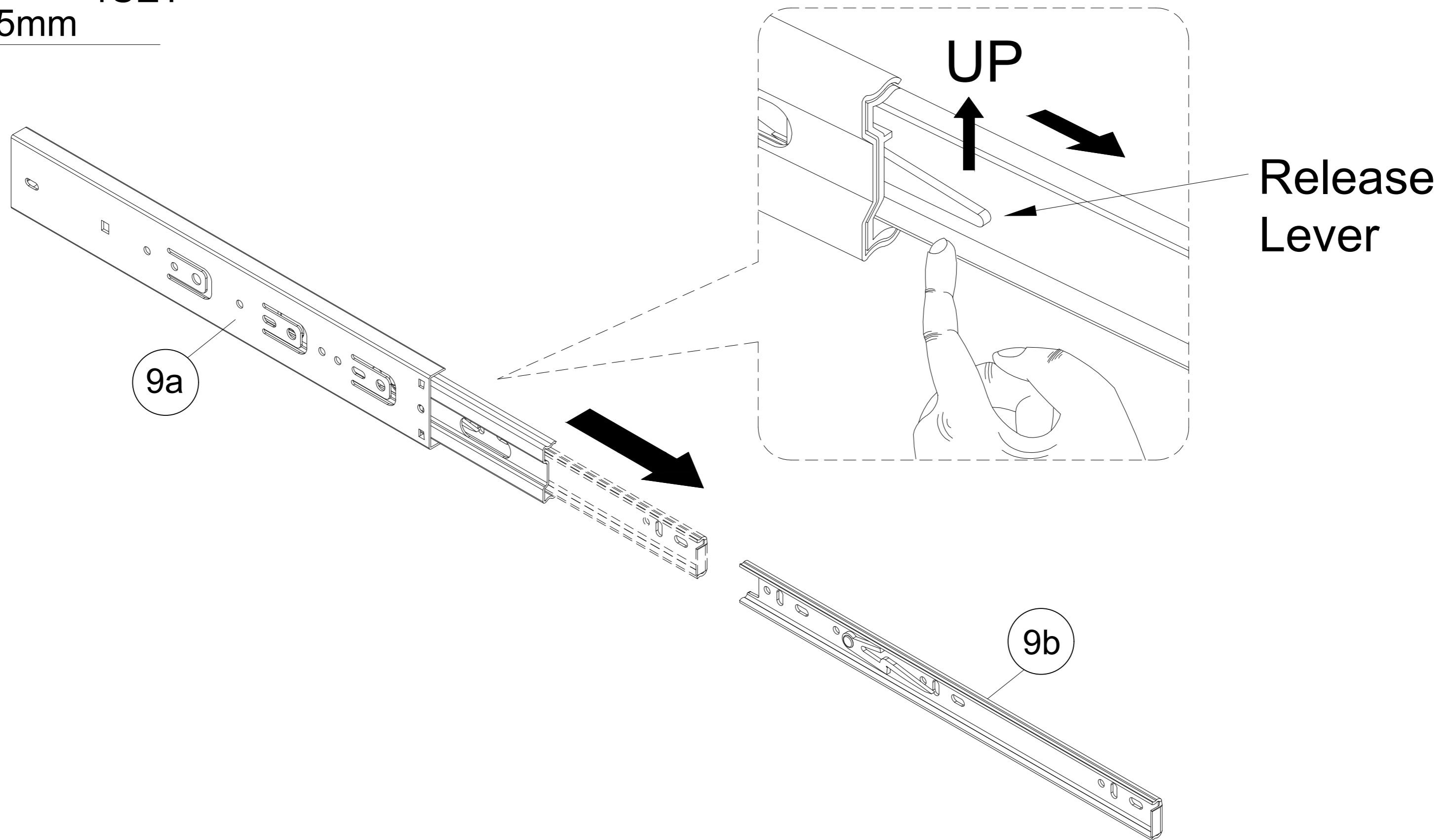


Please make sure that the screw is VERTICAL so as not to affect the sliding of the drawer.

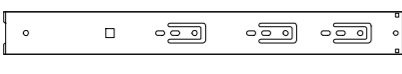
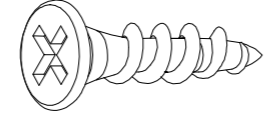
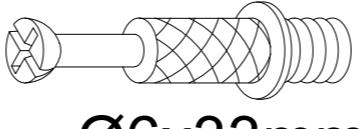


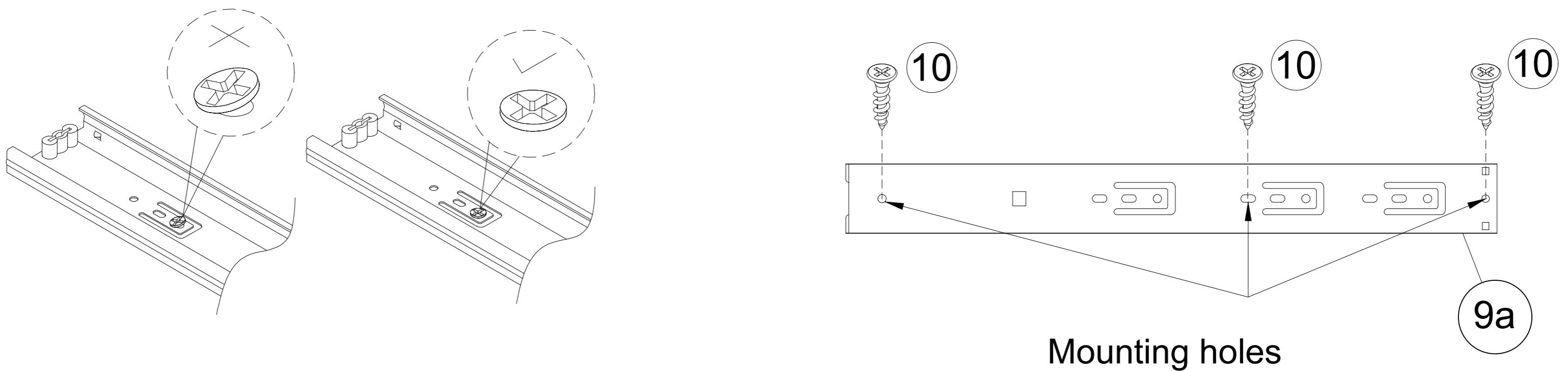
STEP 9

9  1SET
12"x45mm

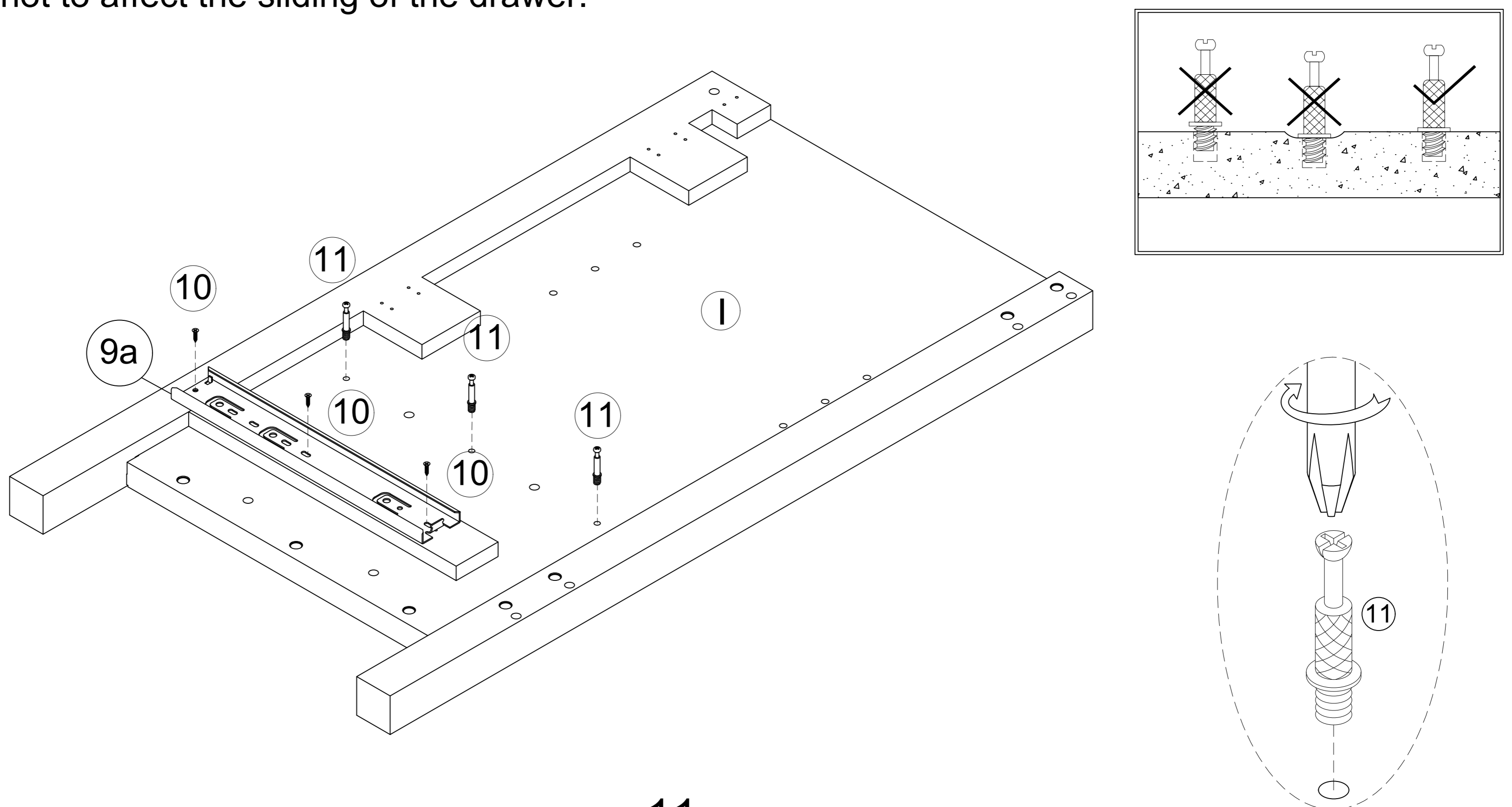


STEP 10

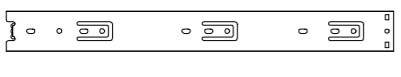
9a  1pc 10  3pcs 11  3pcs
12"x45mm Ø3x10mm Ø6x33mm

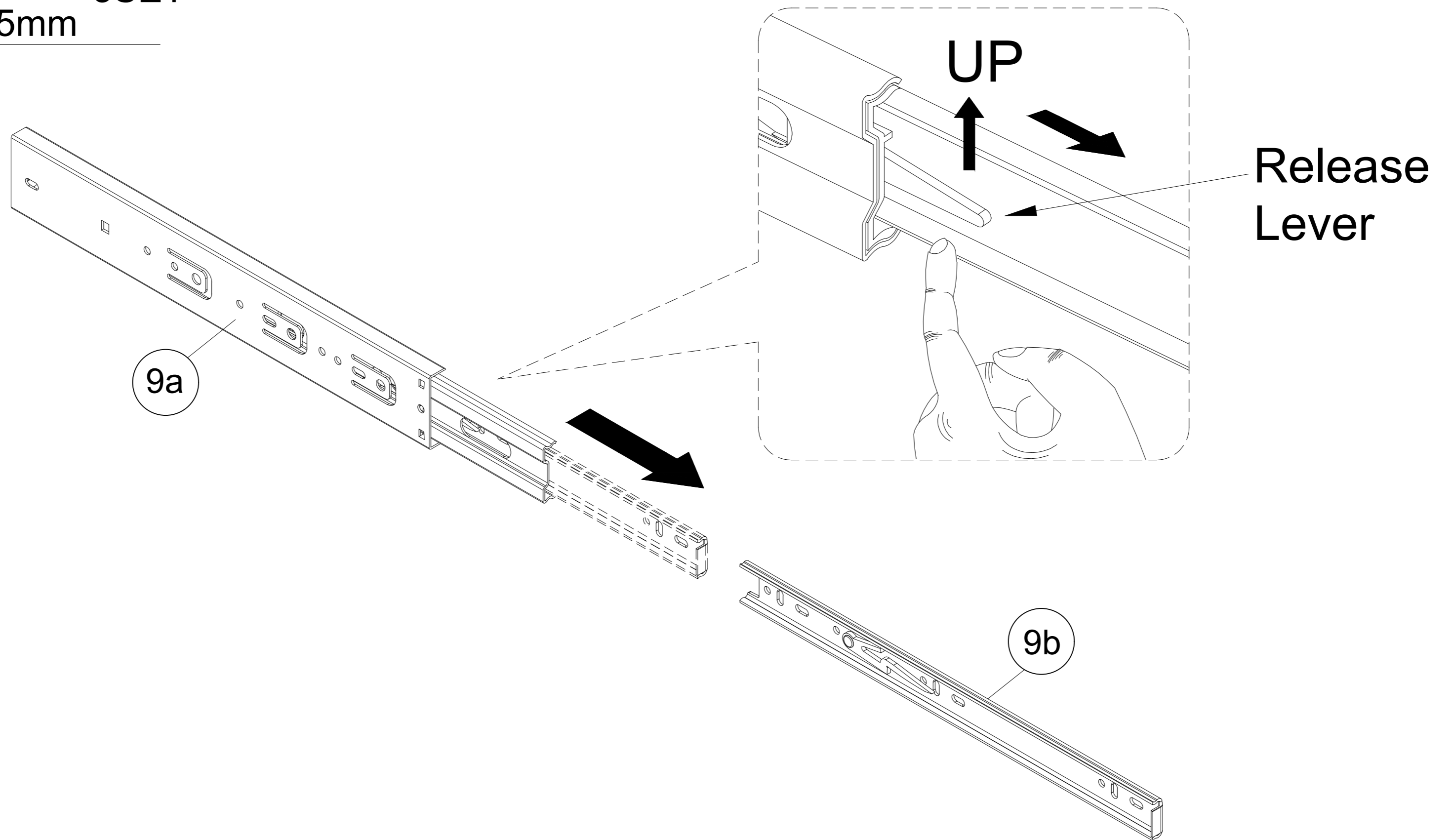


Please make sure that the screw is VERTICAL so as not to affect the sliding of the drawer.






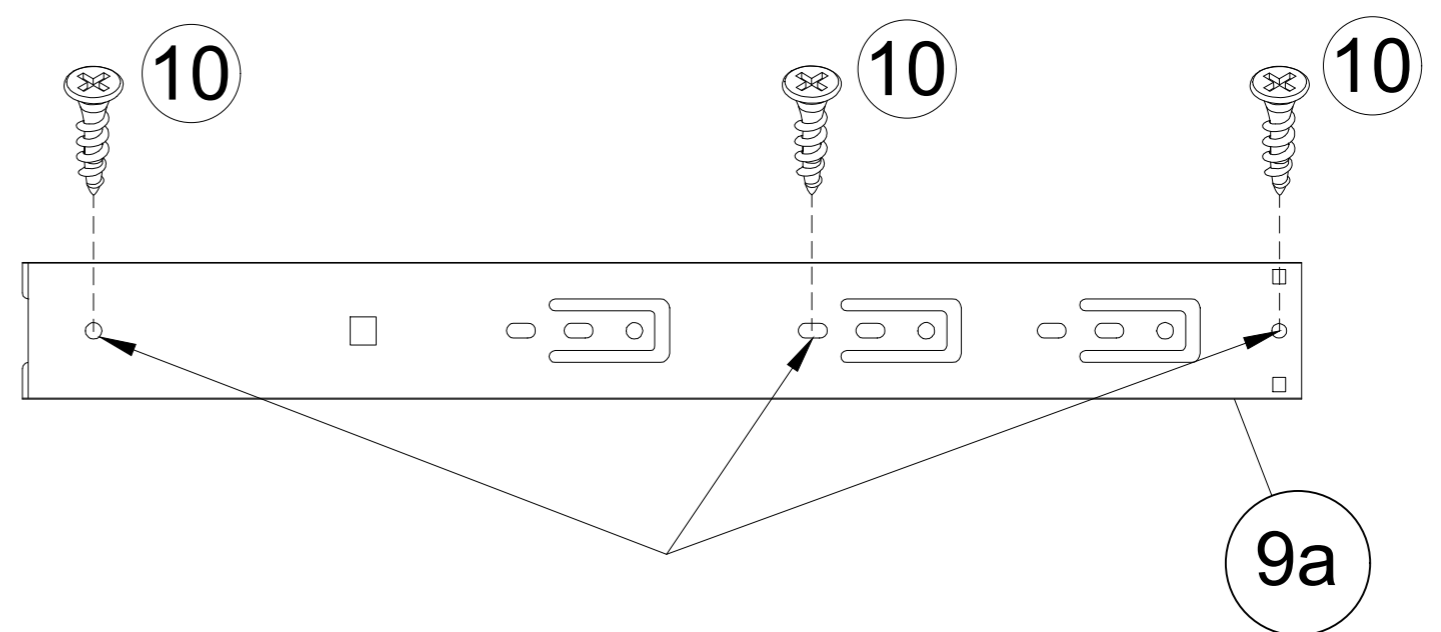
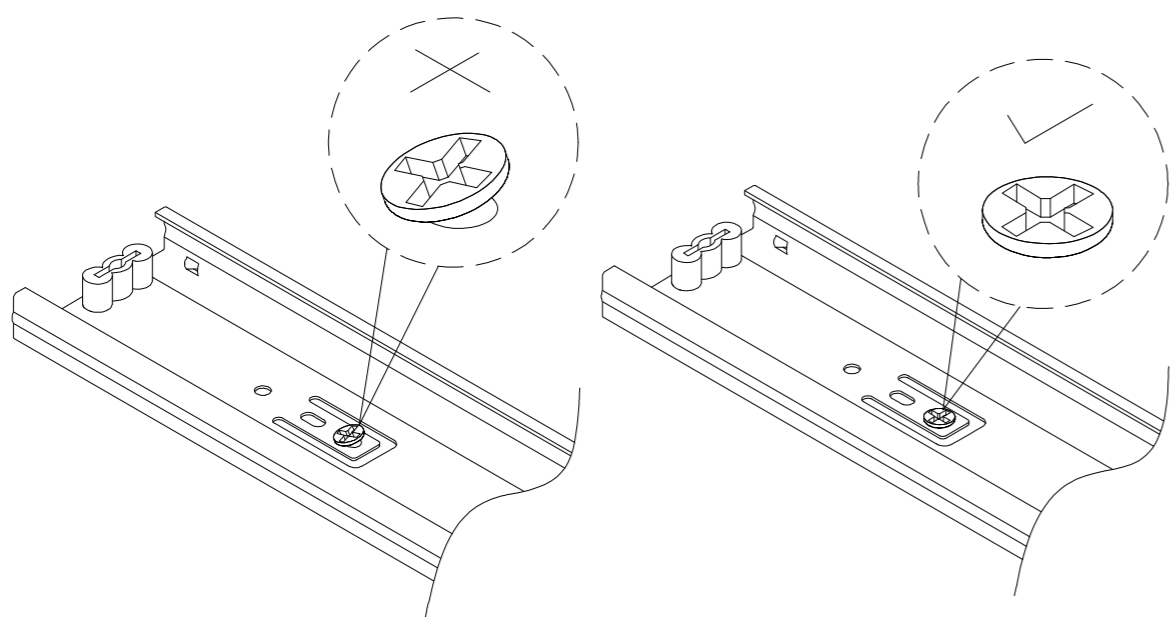
STEP 11

- 9  3SET
12"x45mm



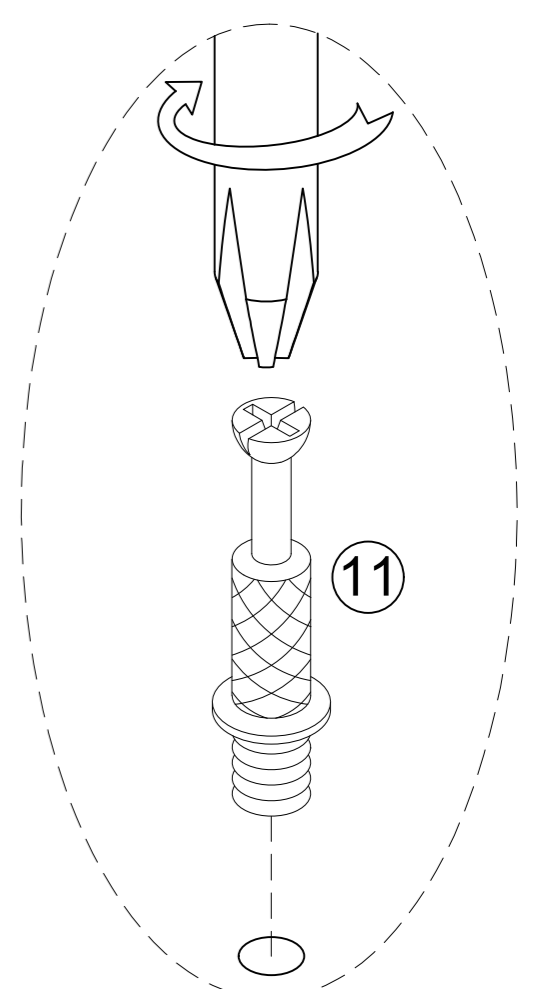
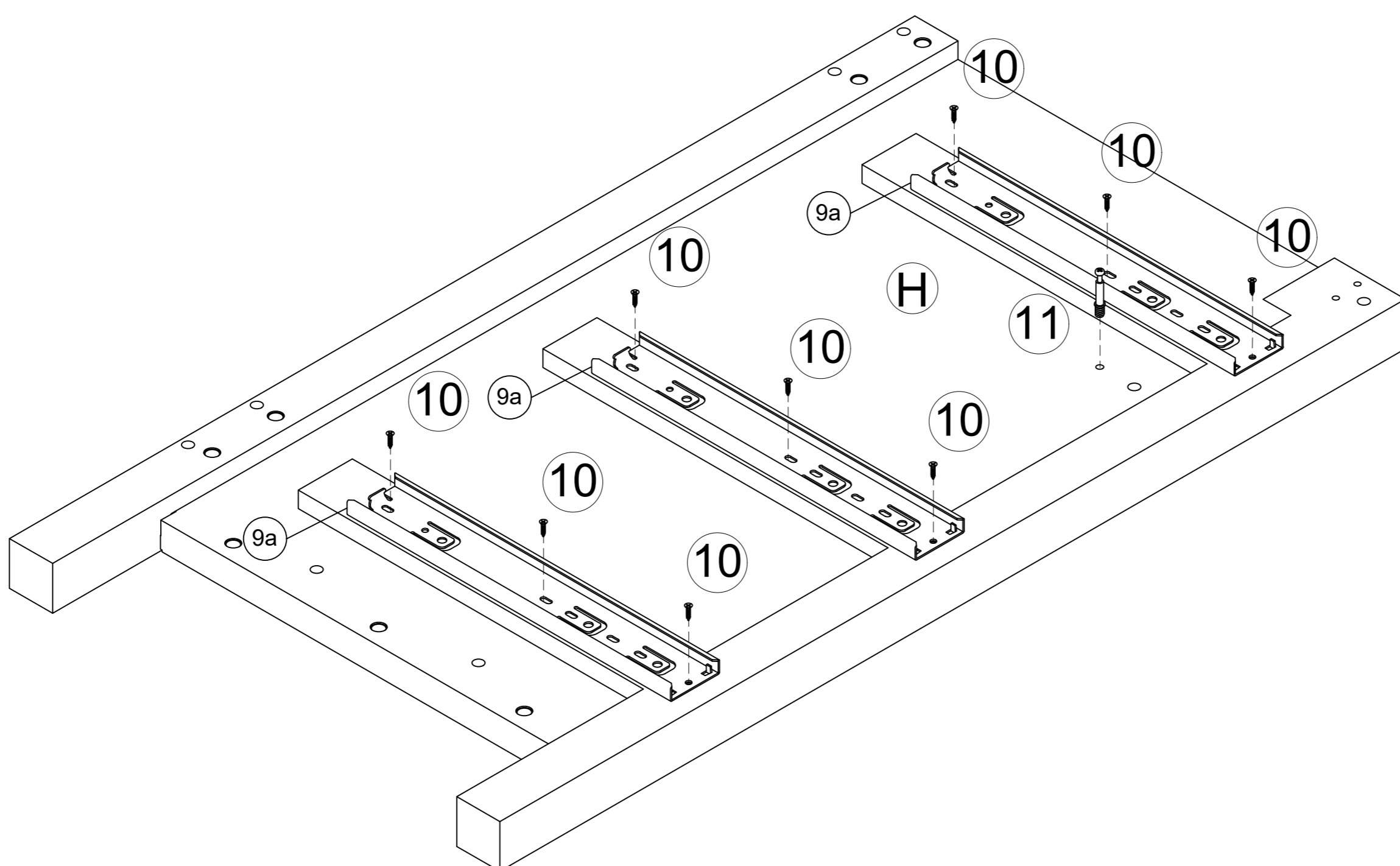
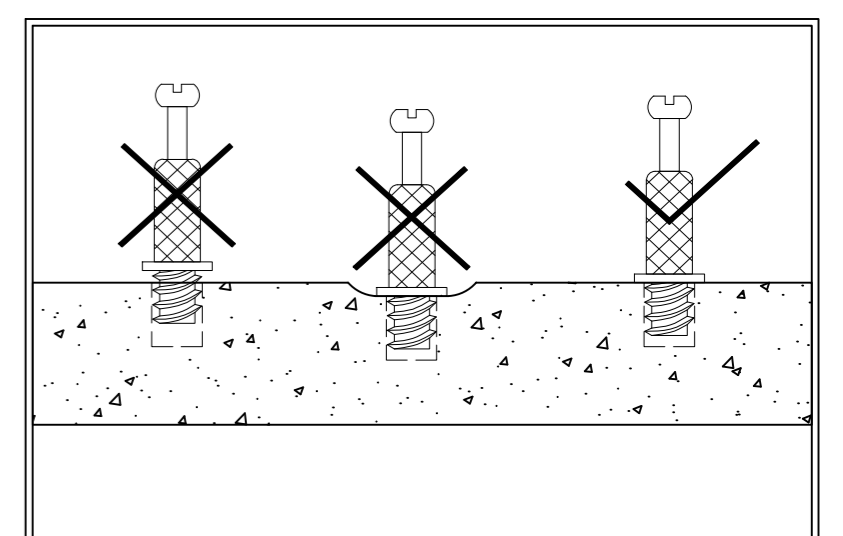
STEP 12

- 9a  3pcs 12"x45mm
10  9pcs Ø3x10mm
11  1pc Ø6x33mm

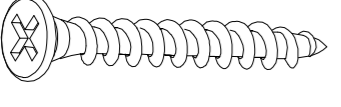


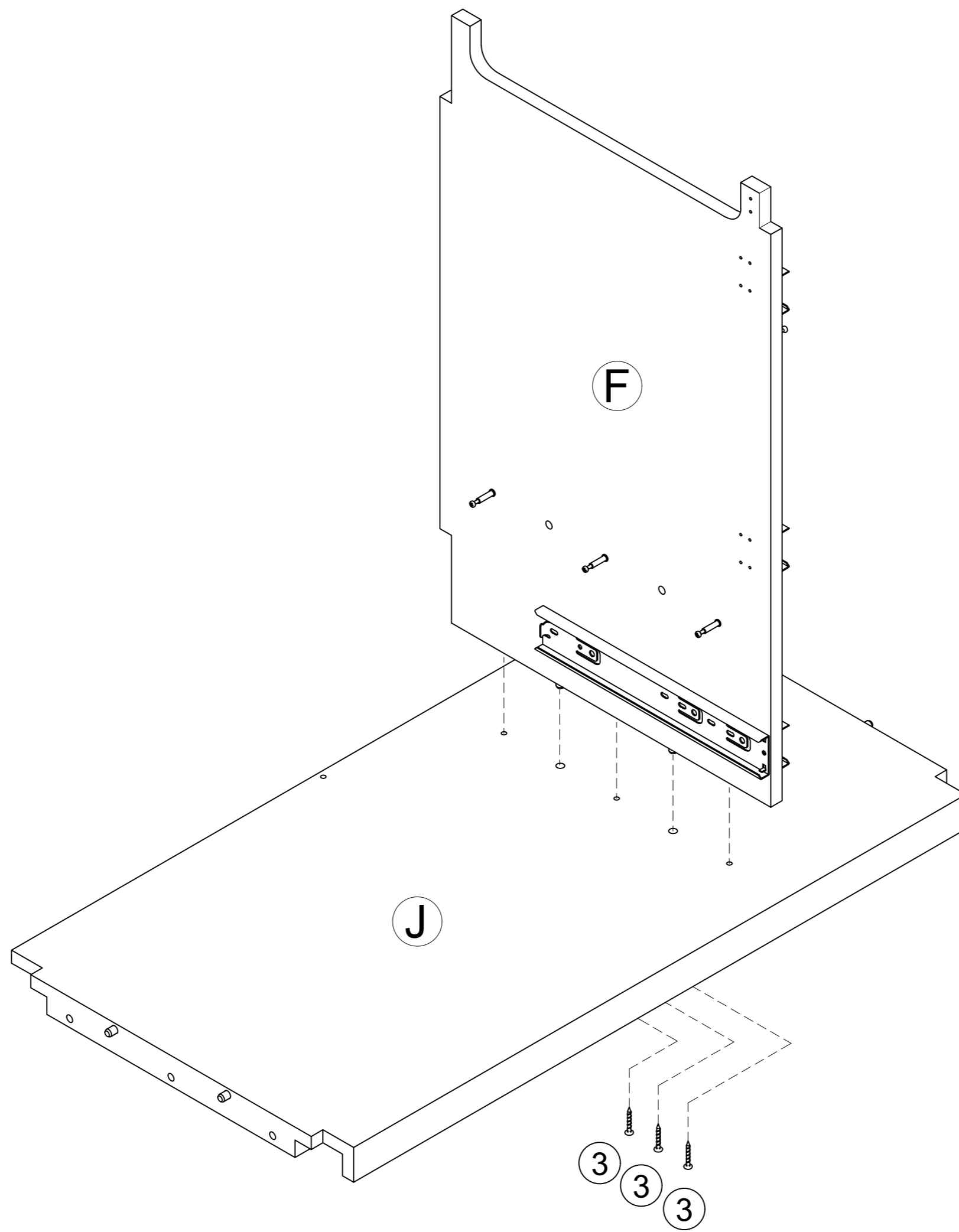
Please make sure that the screw is VERTICAL so as not to affect the sliding of the drawer.

Mounting holes

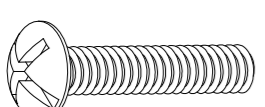
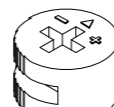


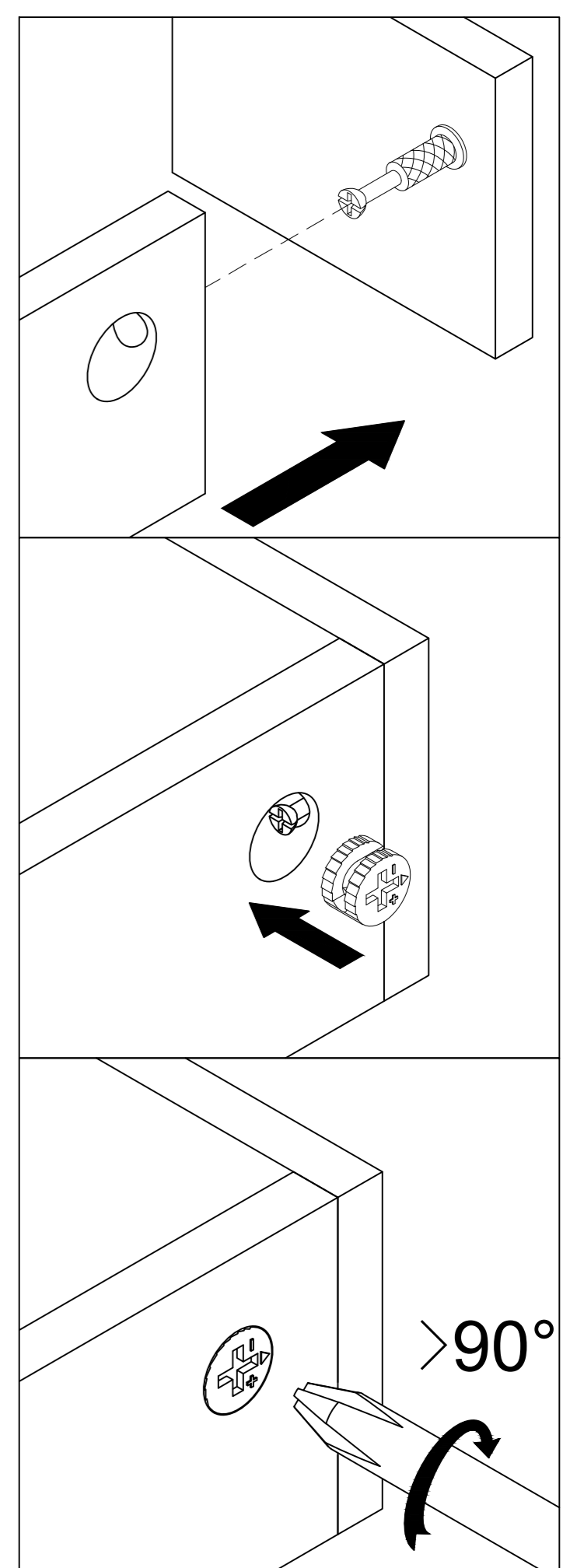
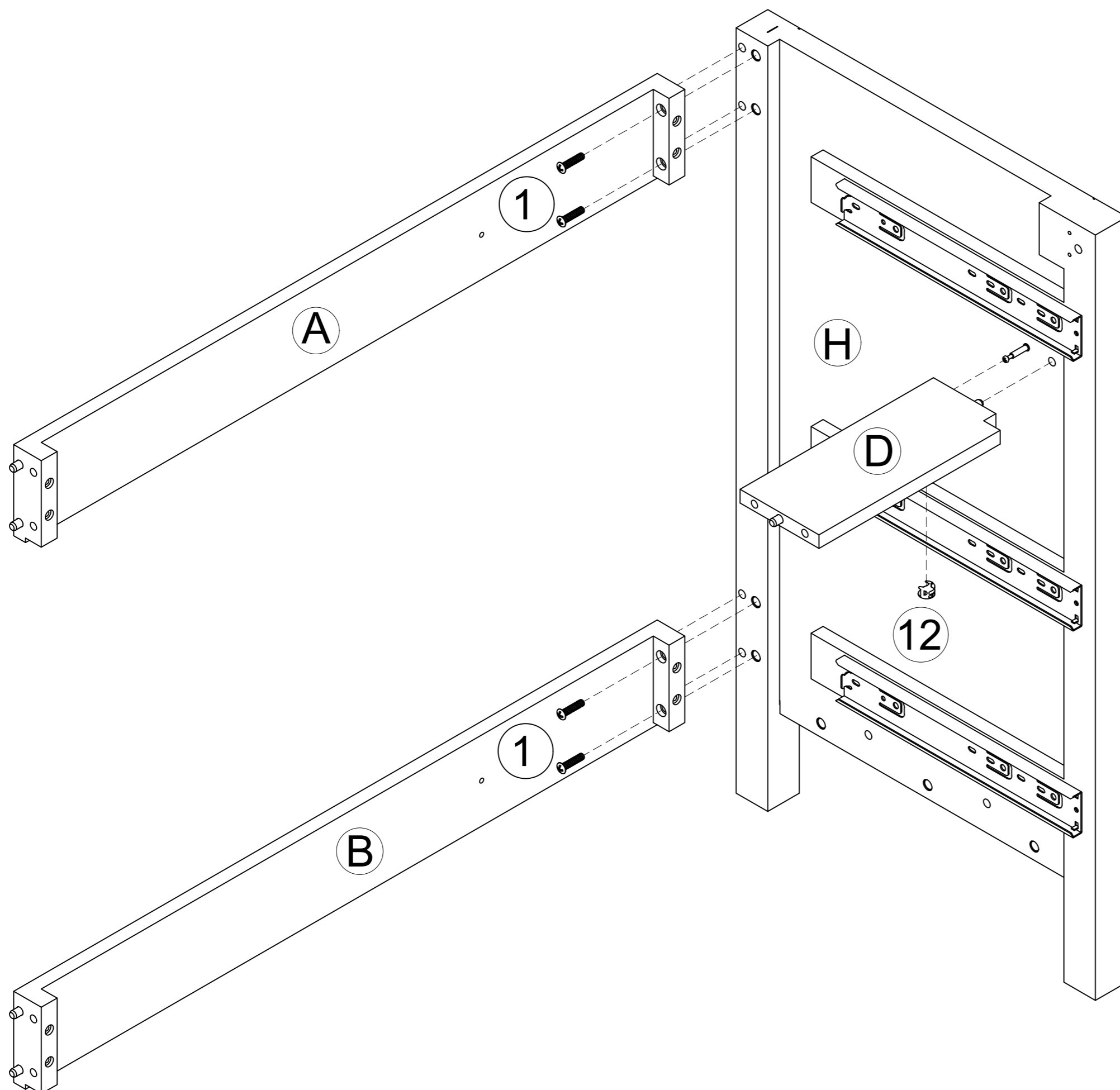
STEP 13

- ③  3pcs
Ø4x35mm

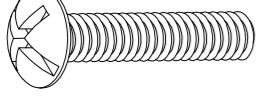
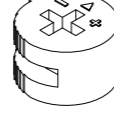


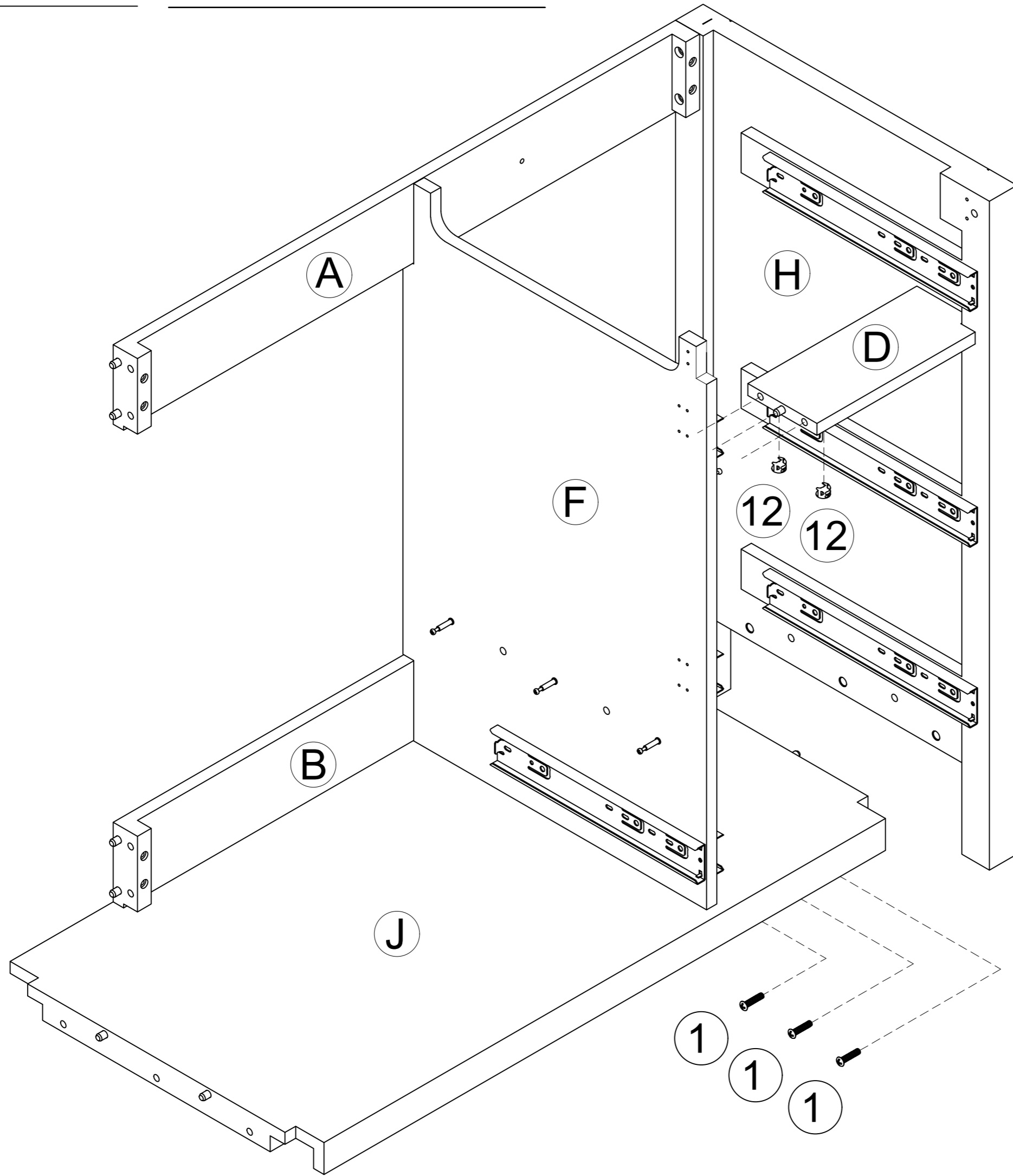
STEP 14

- ①  4pcs
1/4"x25mm
- ⑫  1pc
Ø15x9mm

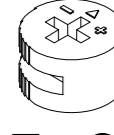
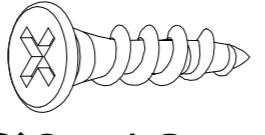


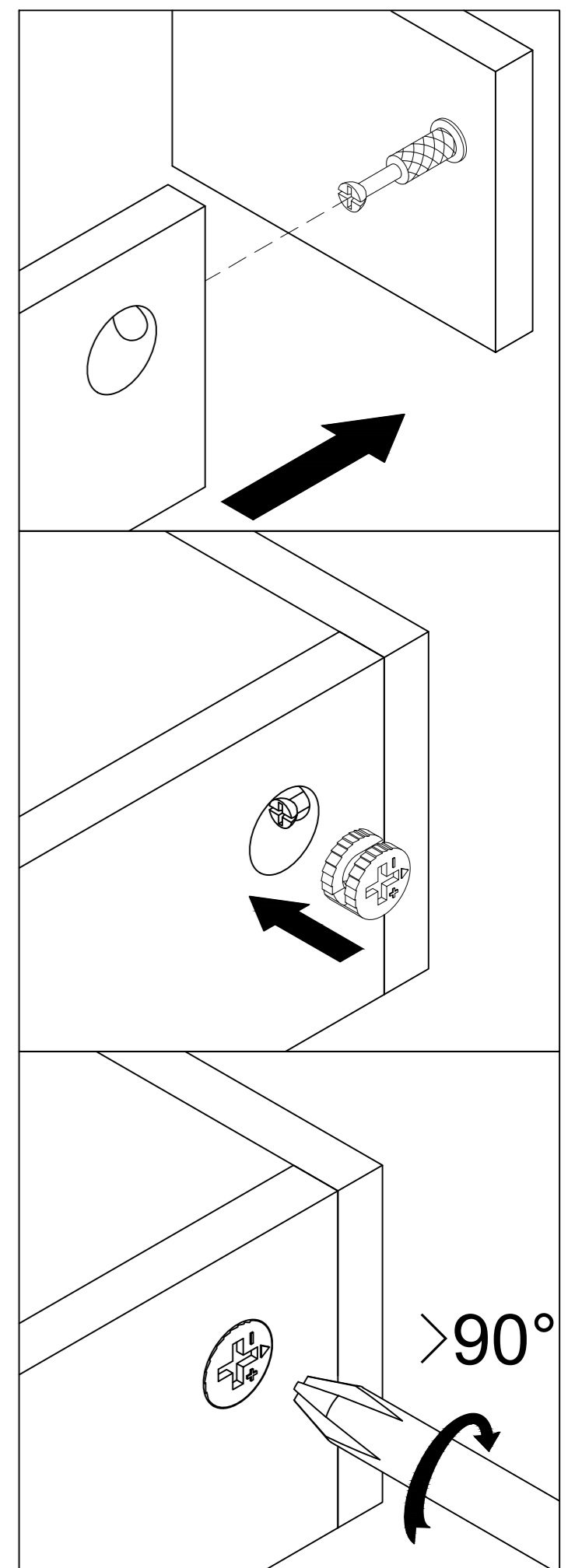
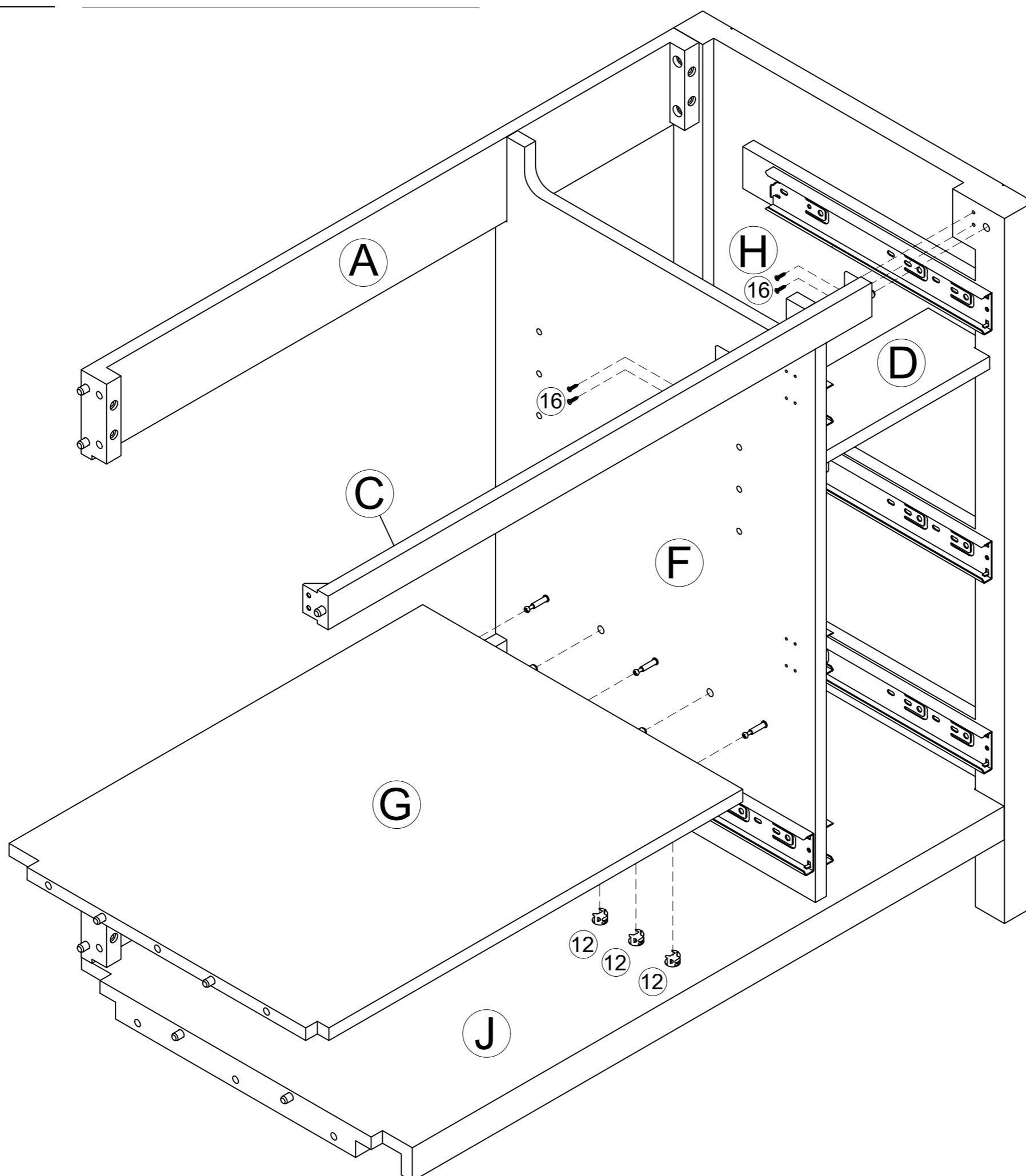
STEP 15

- ①  3pcs 1/4"x25mm
⑫  2pcs Ø15x9mm

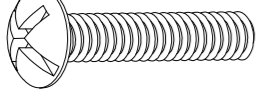

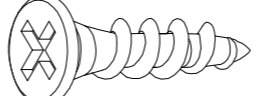


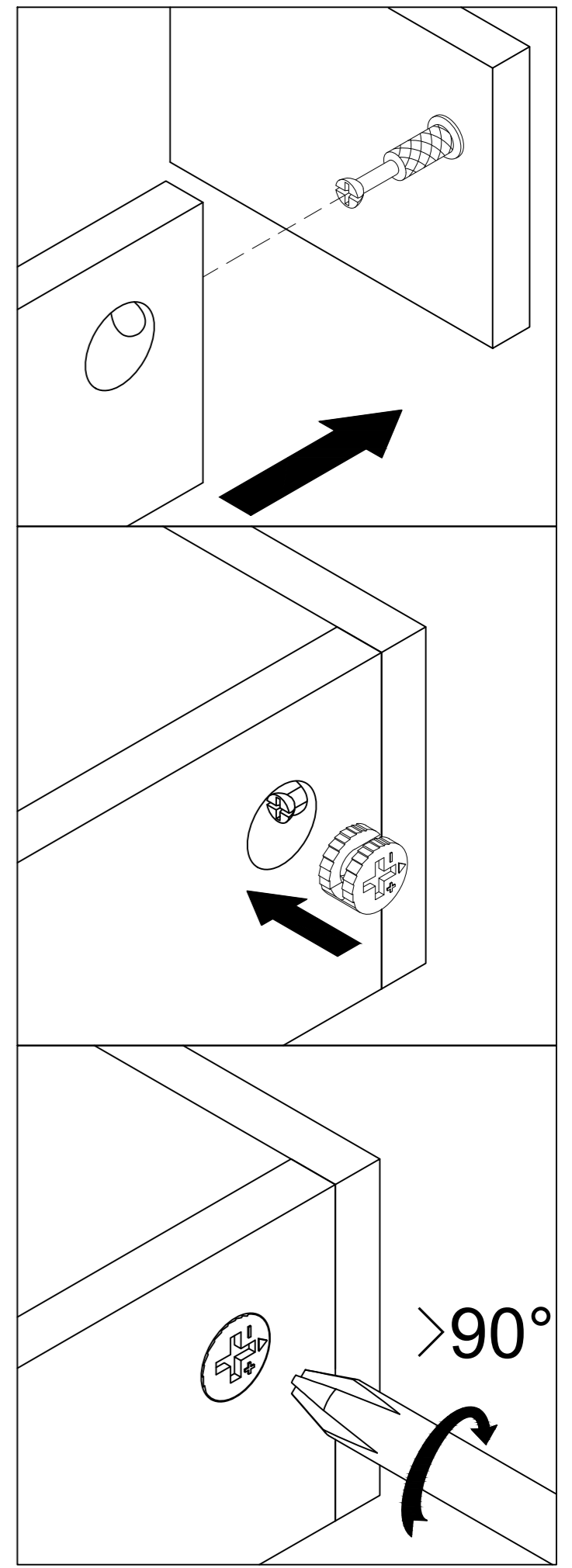
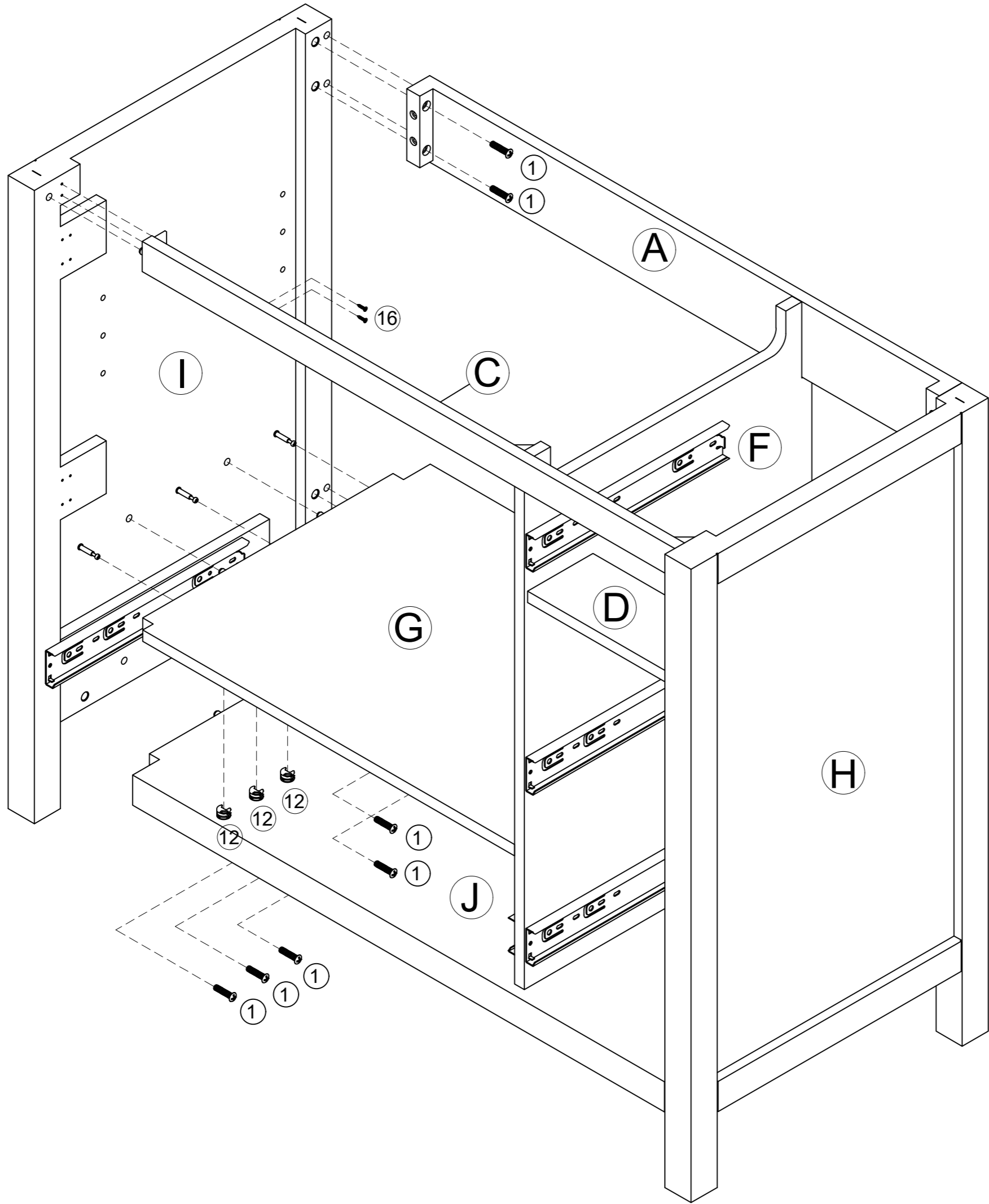
STEP 16

- ⑫  3pcs Ø15x9mm
⑯  4pcs Ø3x12mm

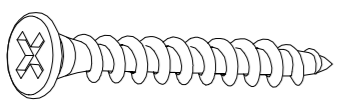


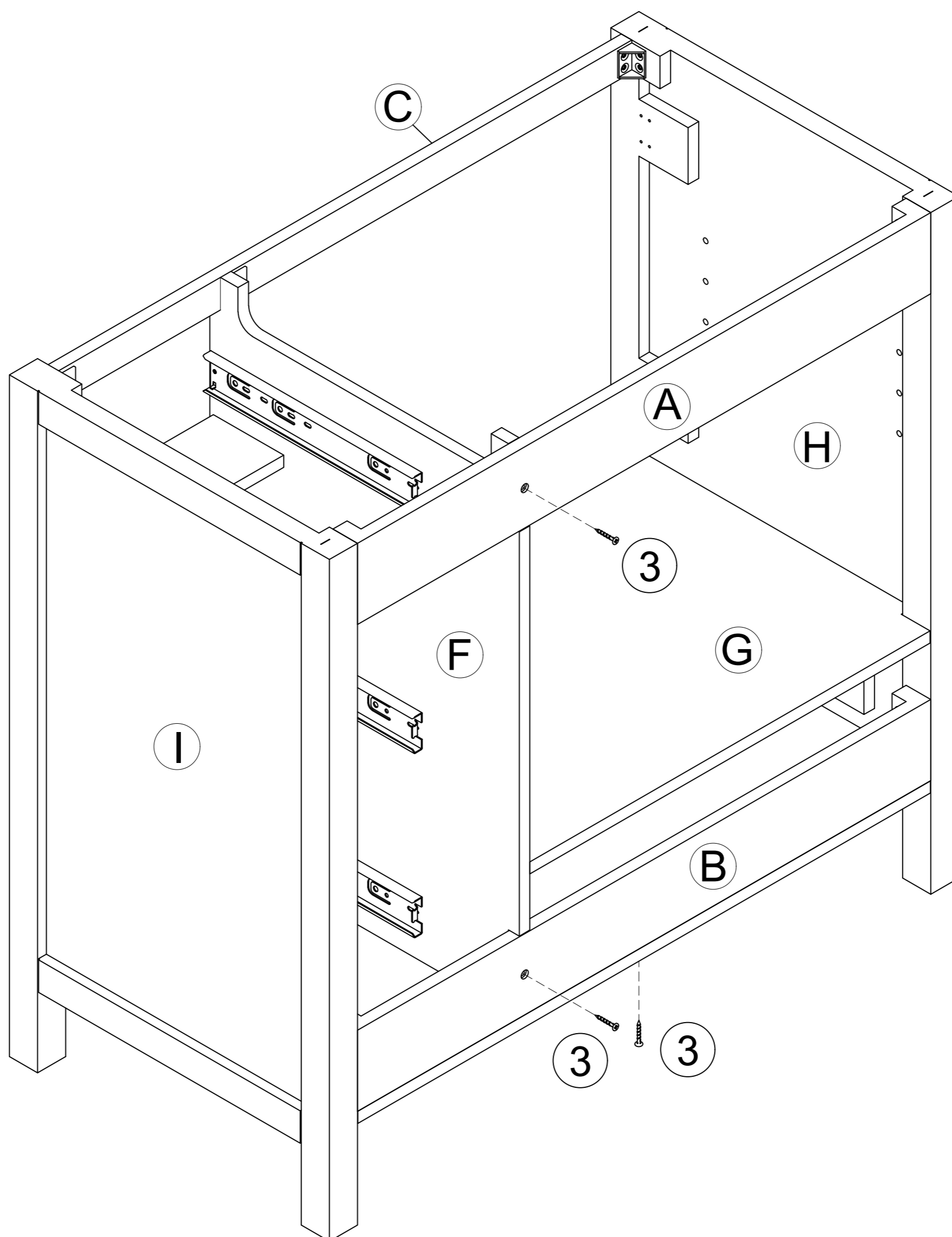
STEP 17

- ①  7pcs 1/4"x25mm
⑫  3pcs Ø15x9mm
⑯  2pcs Ø3x12mm



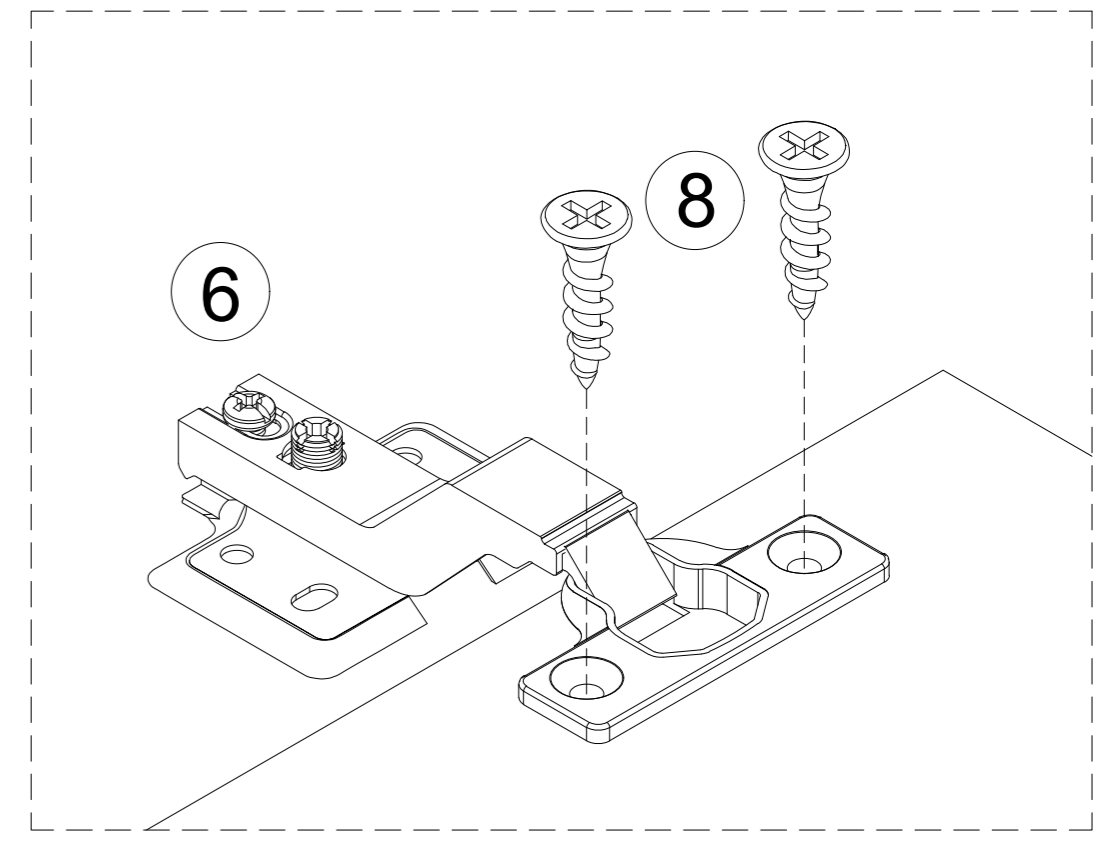
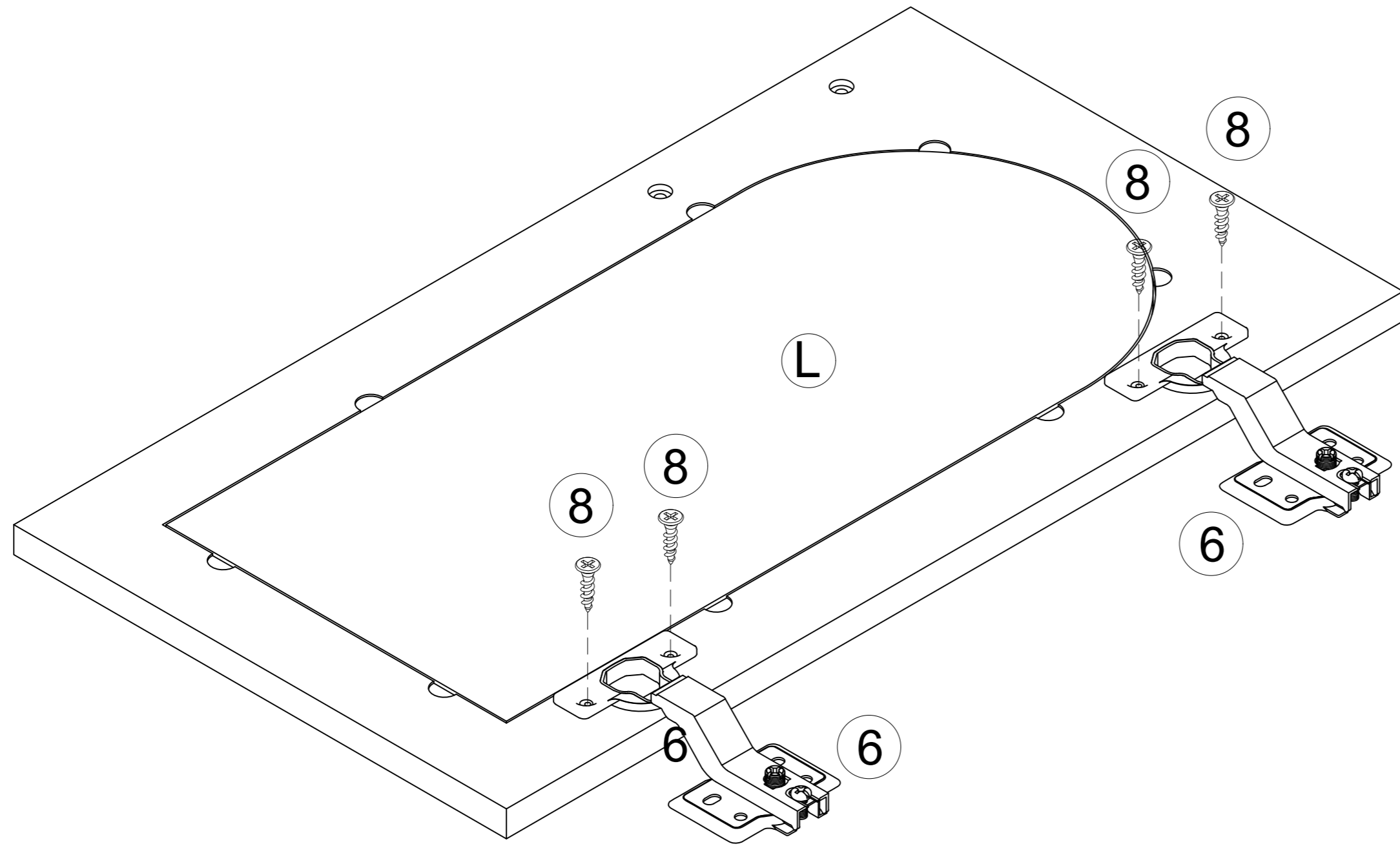
STEP 18

- ③  3pcs Ø4x35mm

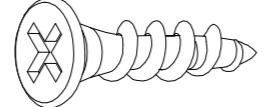


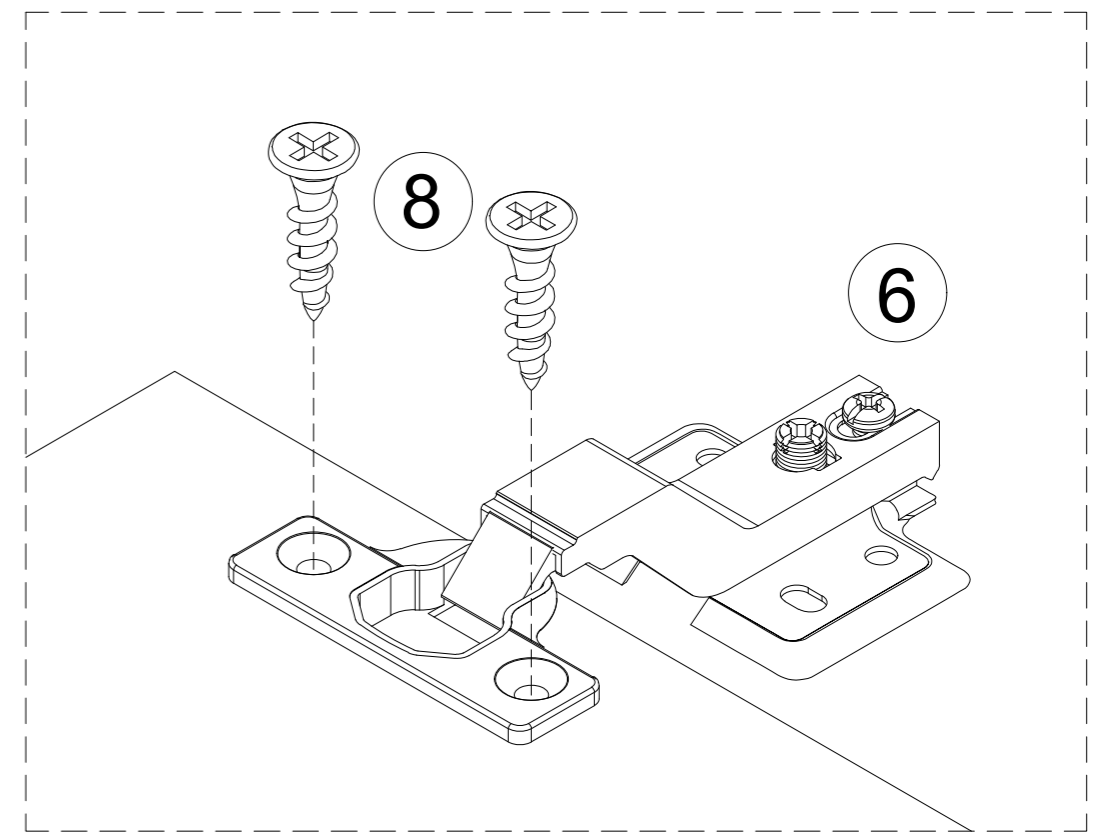
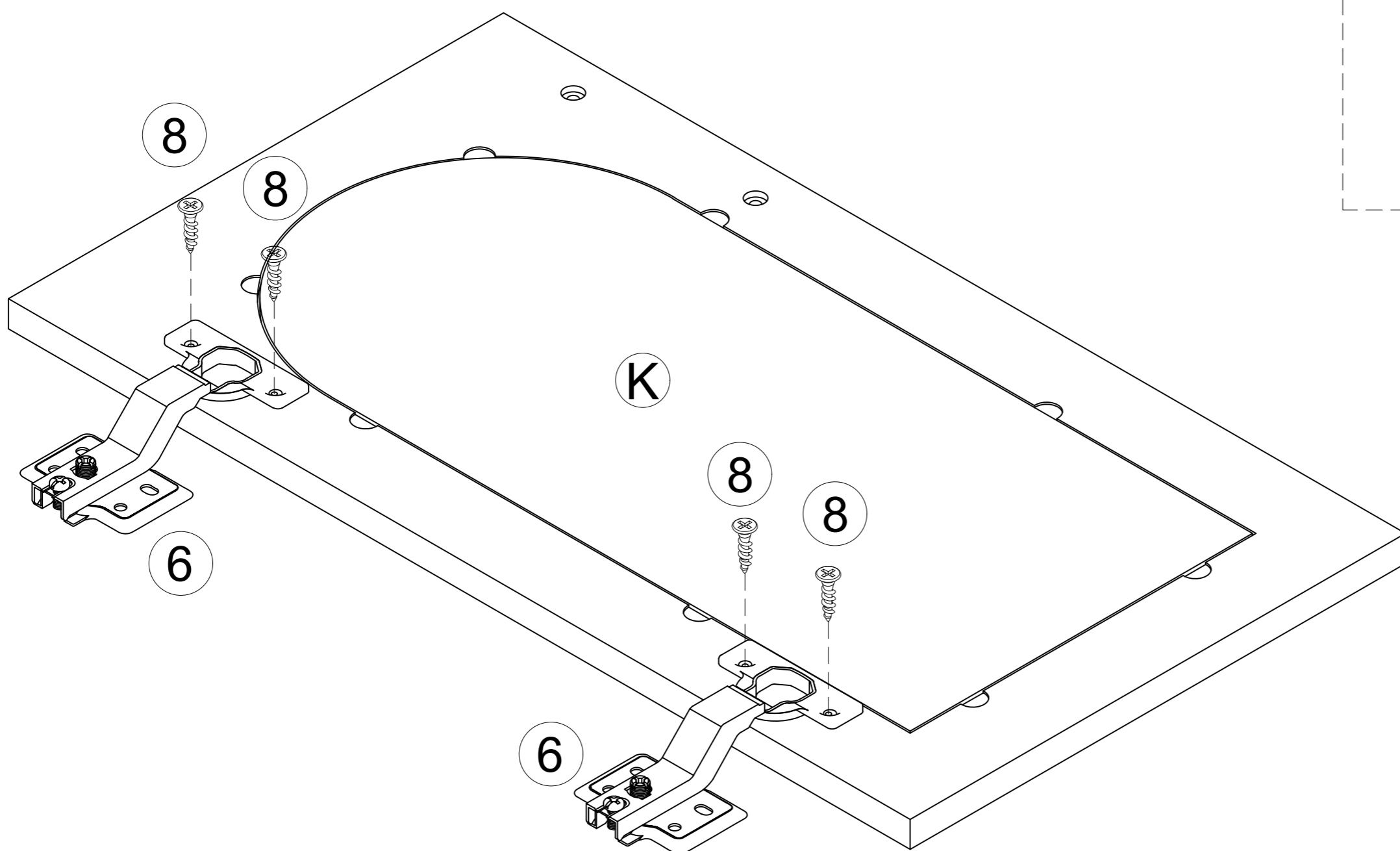
STEP 19

- ⑥  2pcs ⑧  4pcs
Ø4x12mm



STEP 20

- ⑥  2pcs ⑧  4pcs
Ø4x12mm

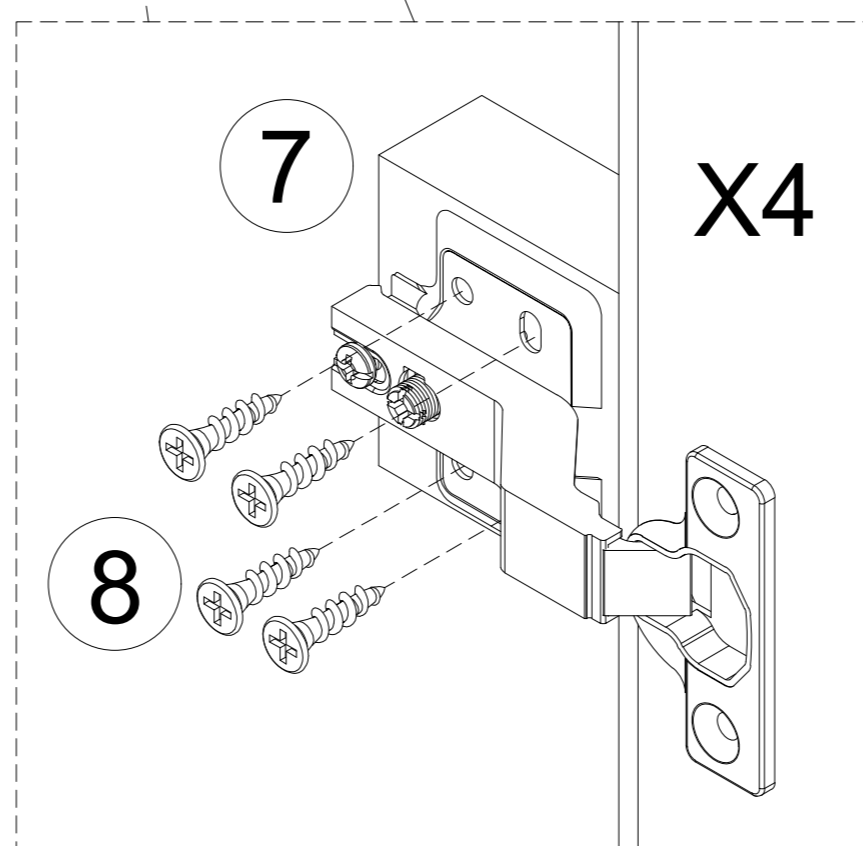
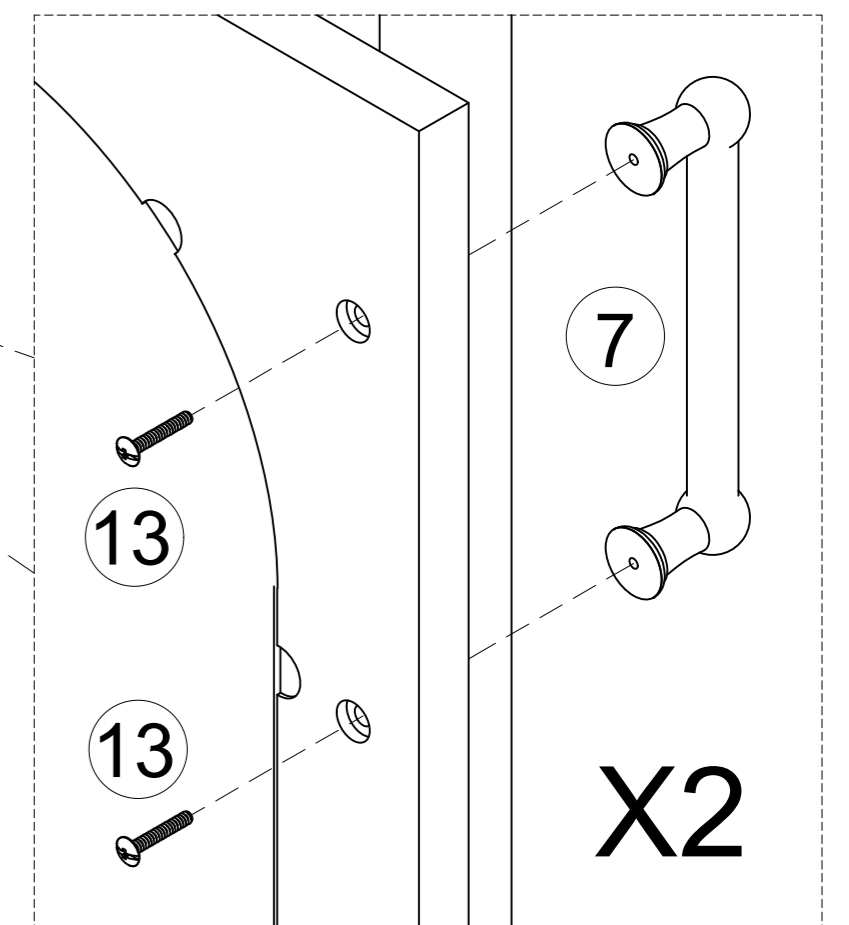
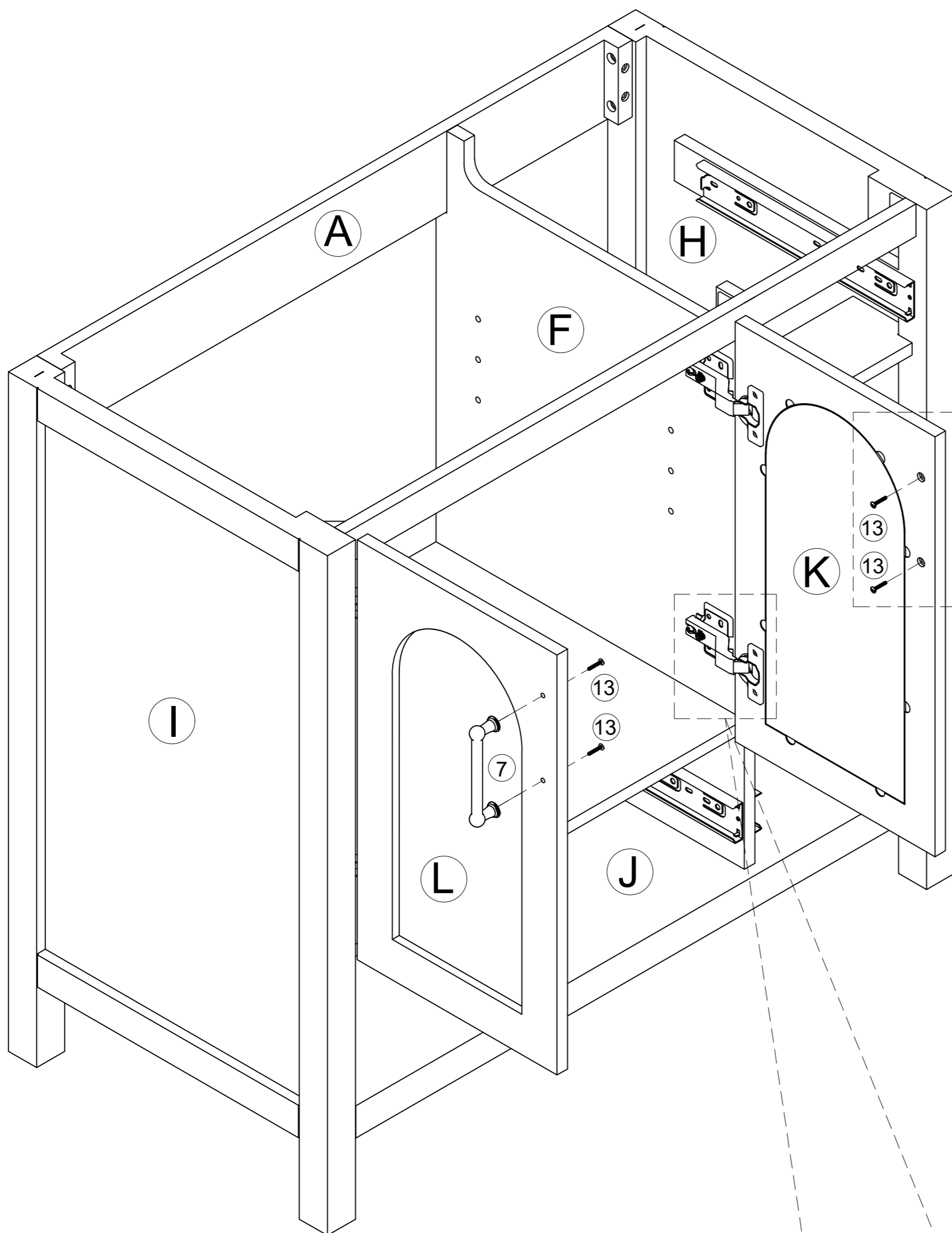
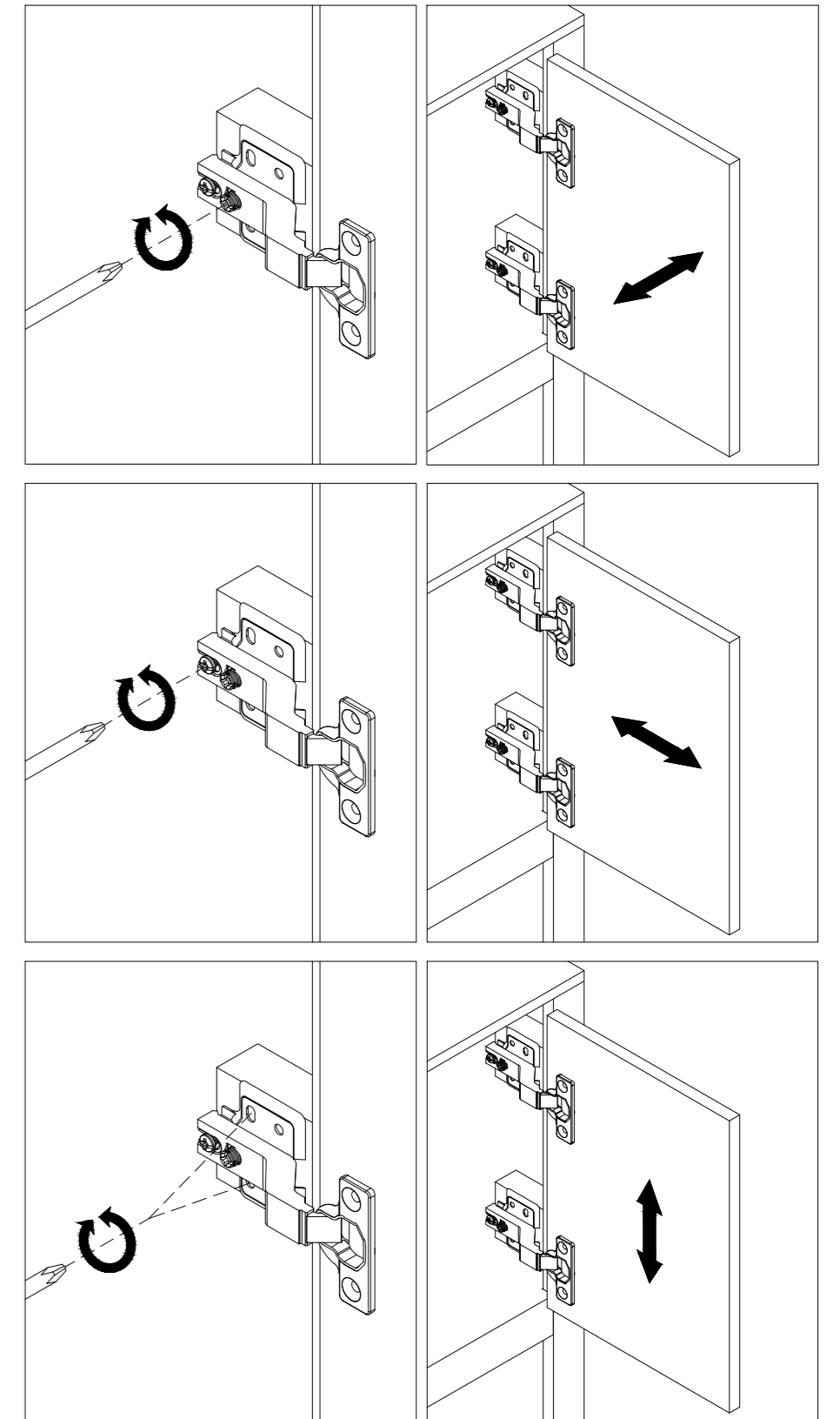
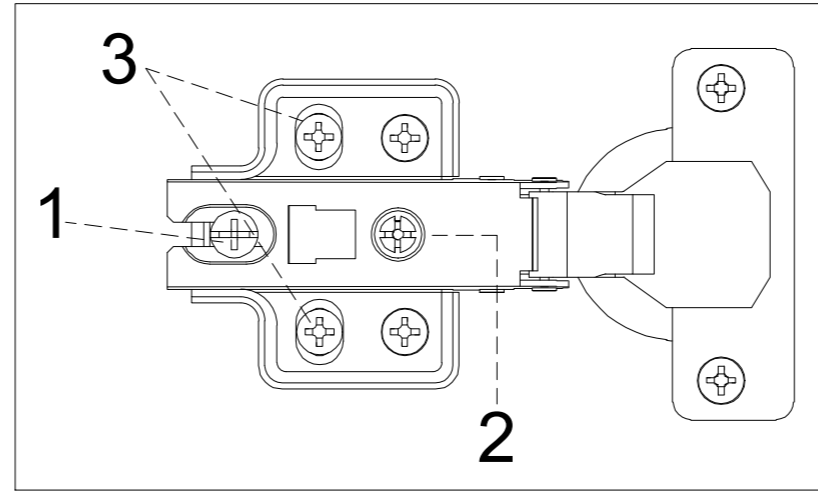


STEP 21



- 8
16pcs
 - 7
2pcs
 - 13
4pcs
- Ø4x12mm
5/32"x12mm

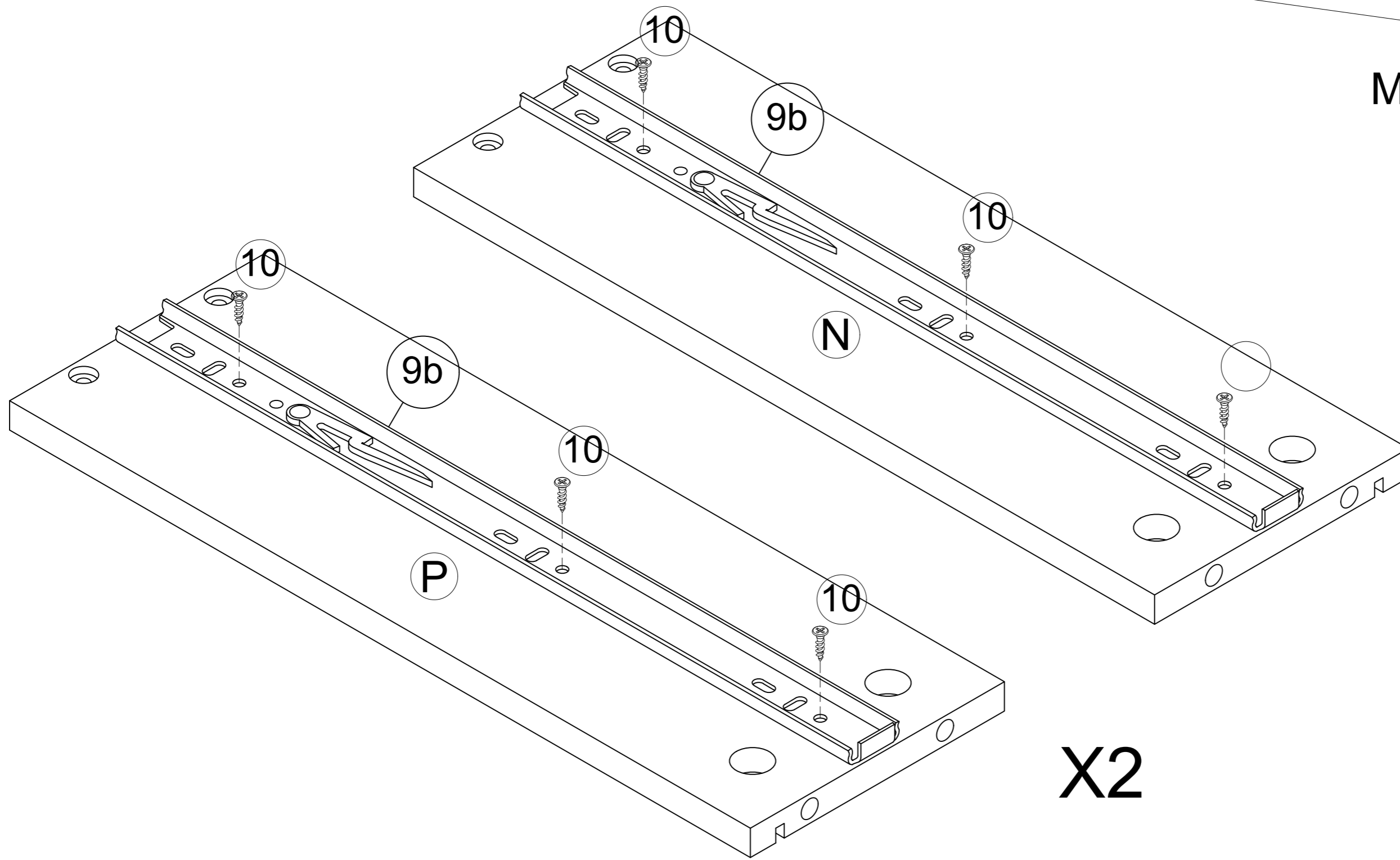
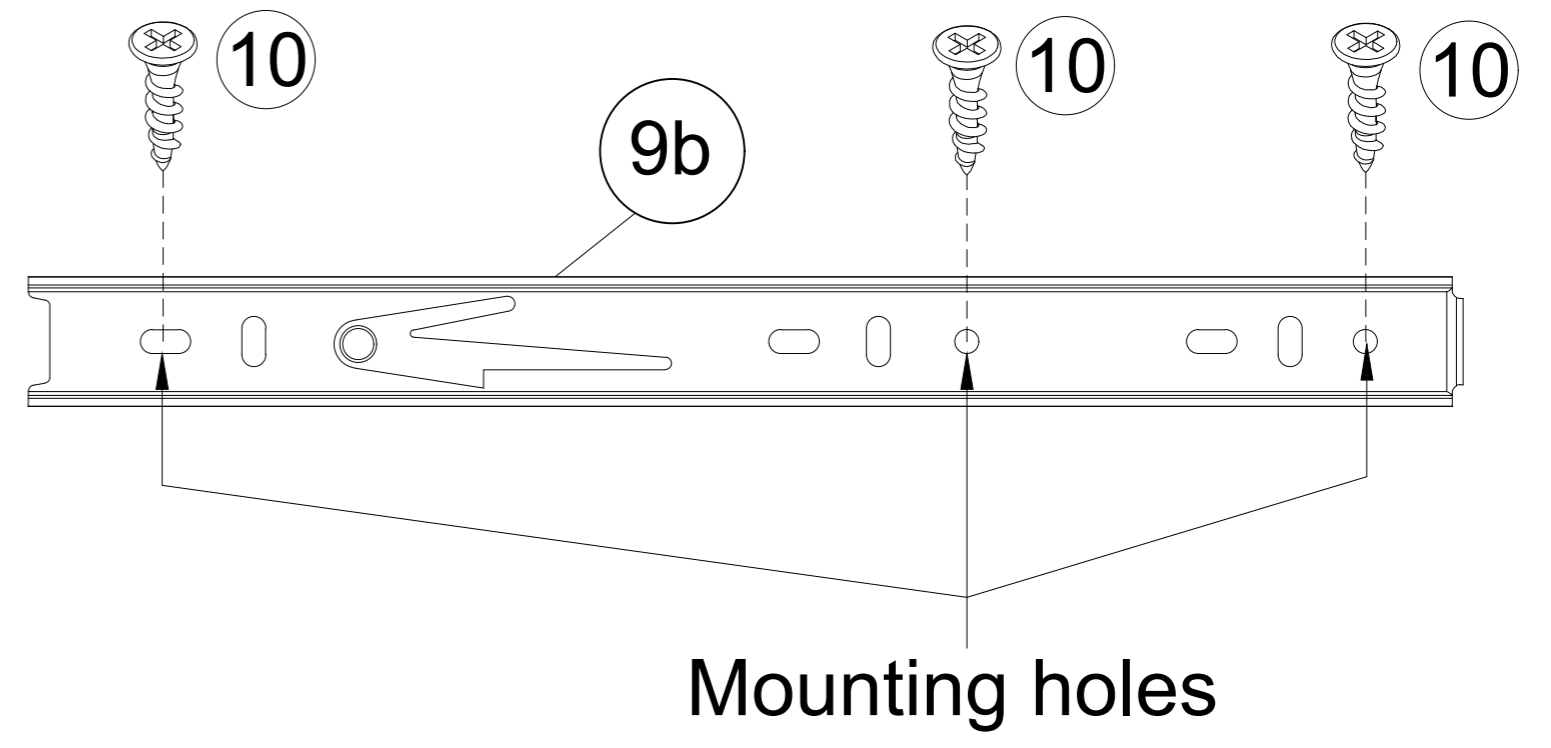
Three-way adjustable hinge for perfectly aligned doors

1. TO ADJUST DOOR FORWARD OR BACKWARD.
2. TO ADJUST DOOR TO RIGHT OR TO LEFT.
3. TO ADJUST DOOR UP OR DOWN.

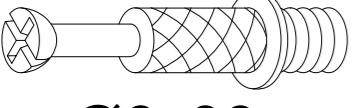


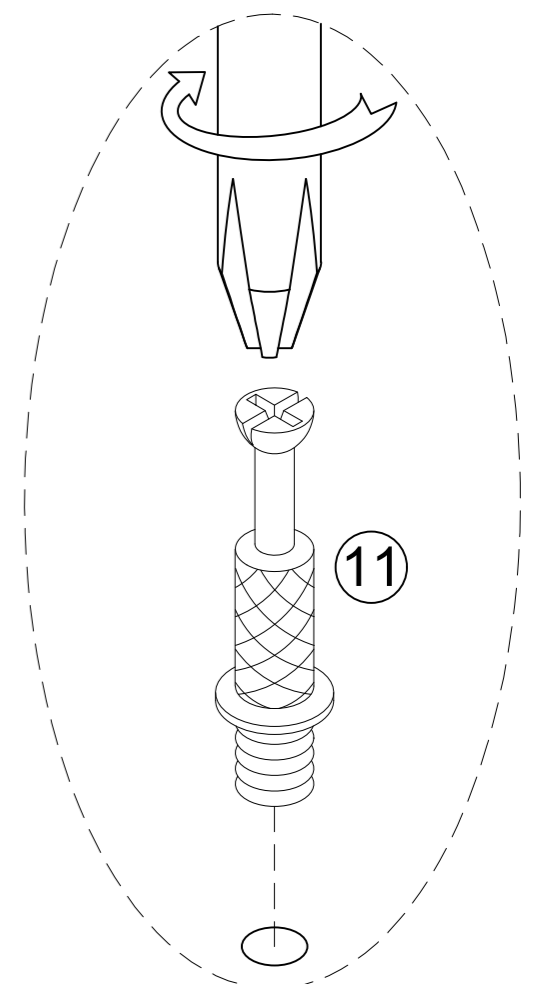
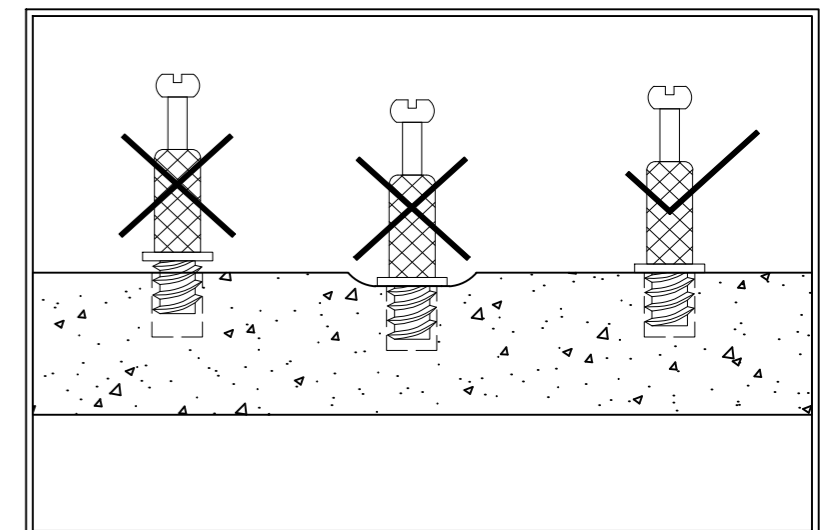
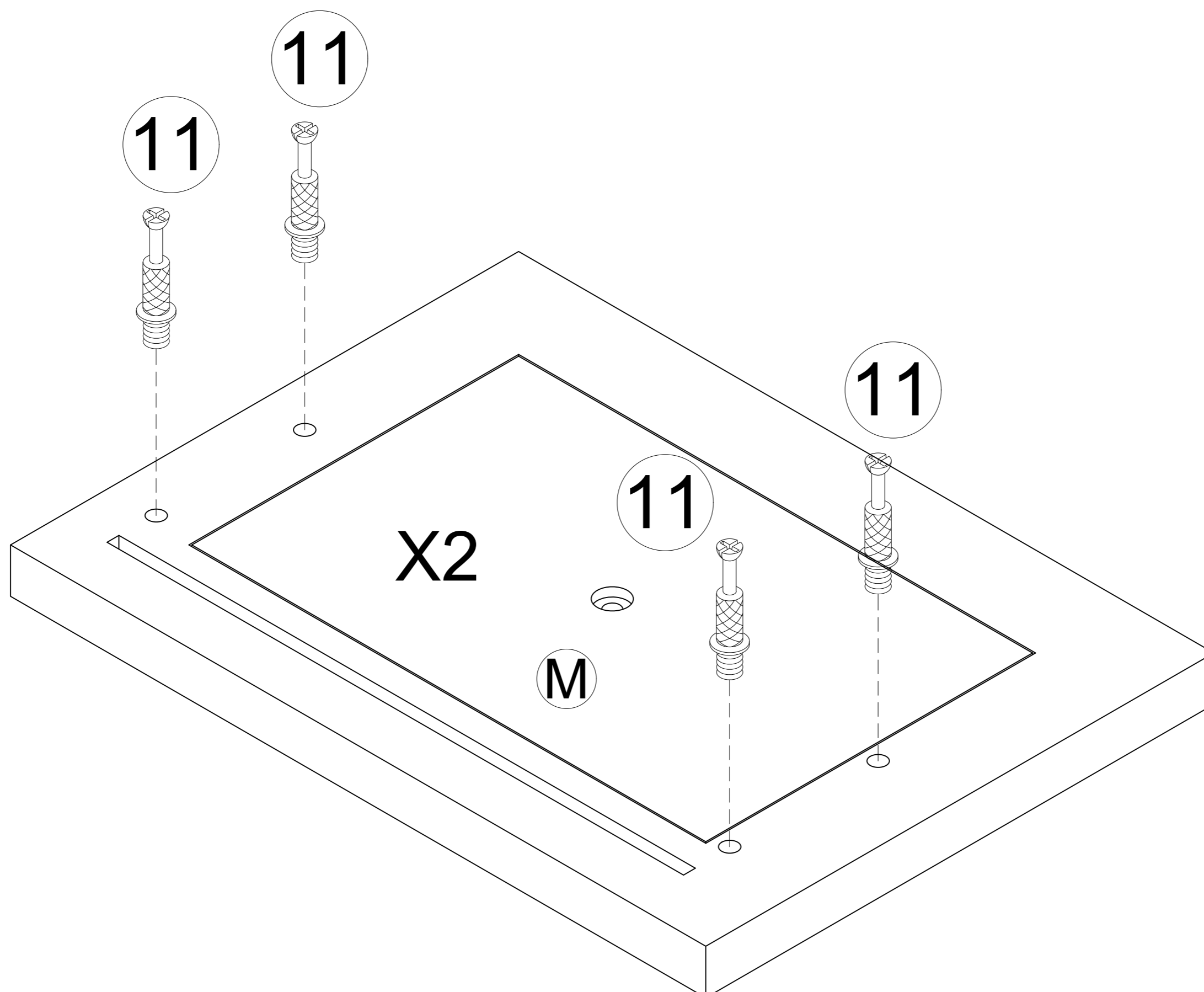
STEP 22

- 9b  4pcs 12"x45mm
- 10  12pcs Ø3x10mm

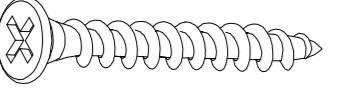


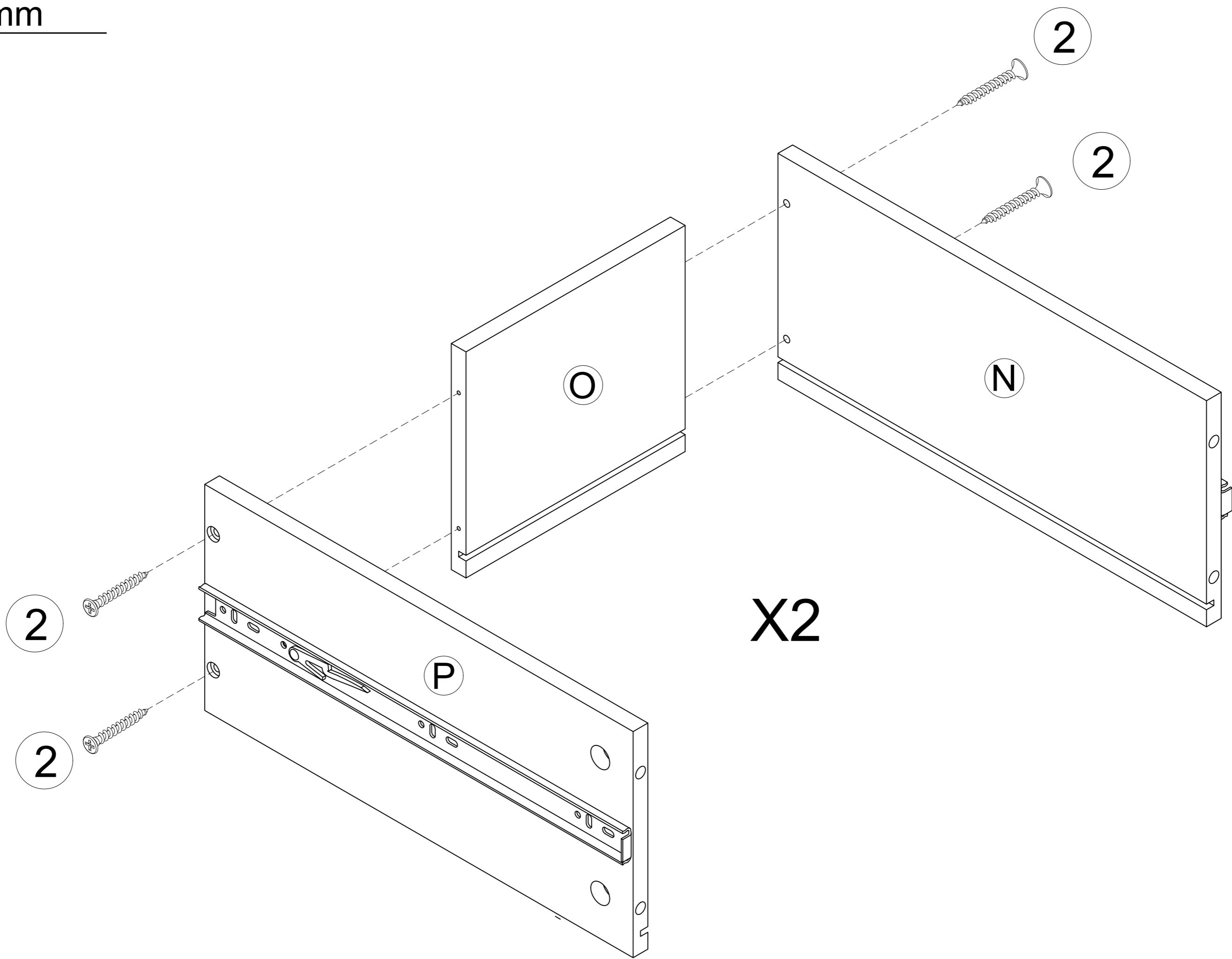
STEP 23

- 11  8pcs Ø6x33mm

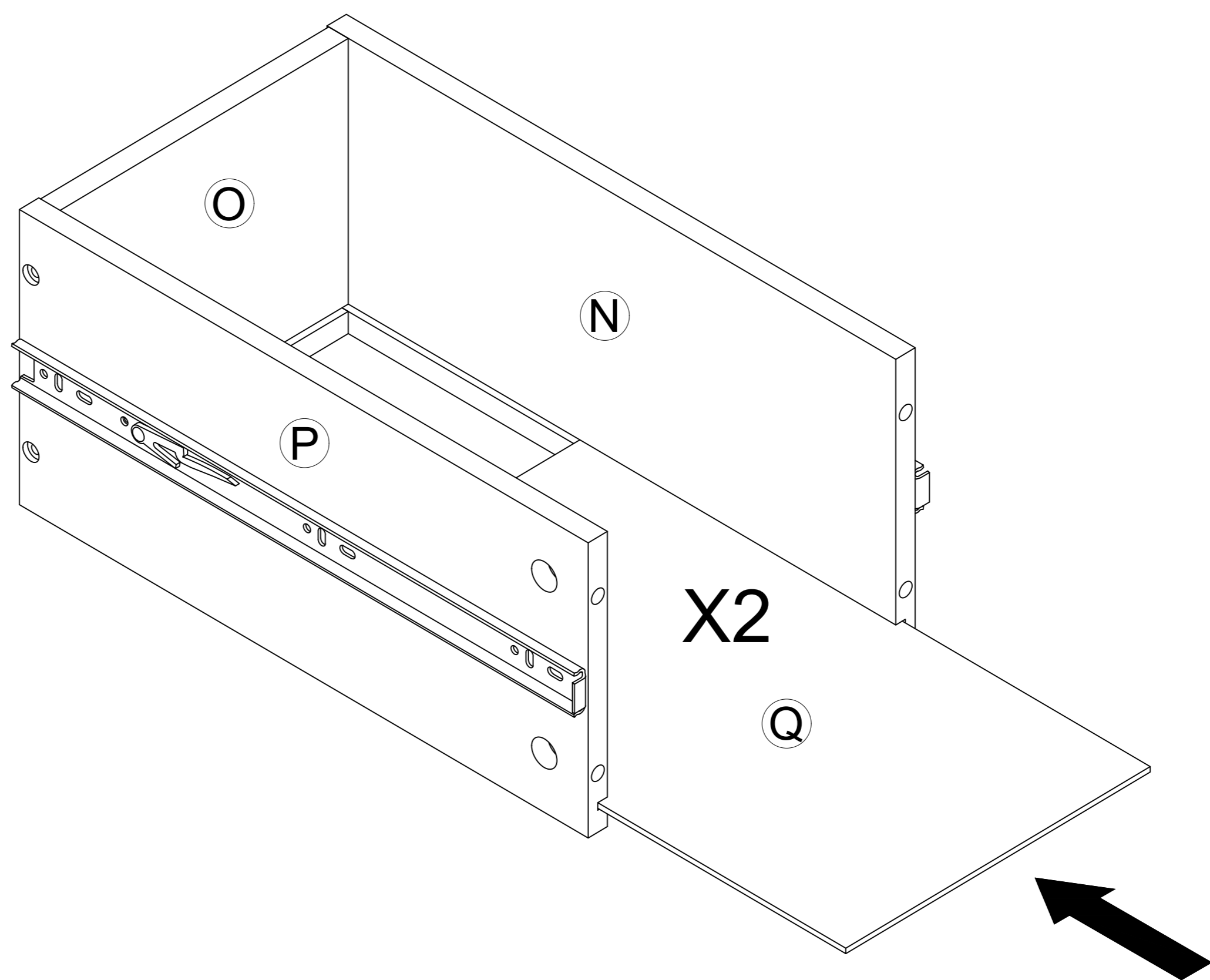


STEP 24

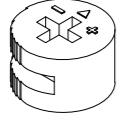
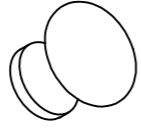
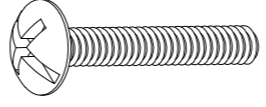
2  8pcs
Ø4x25mm

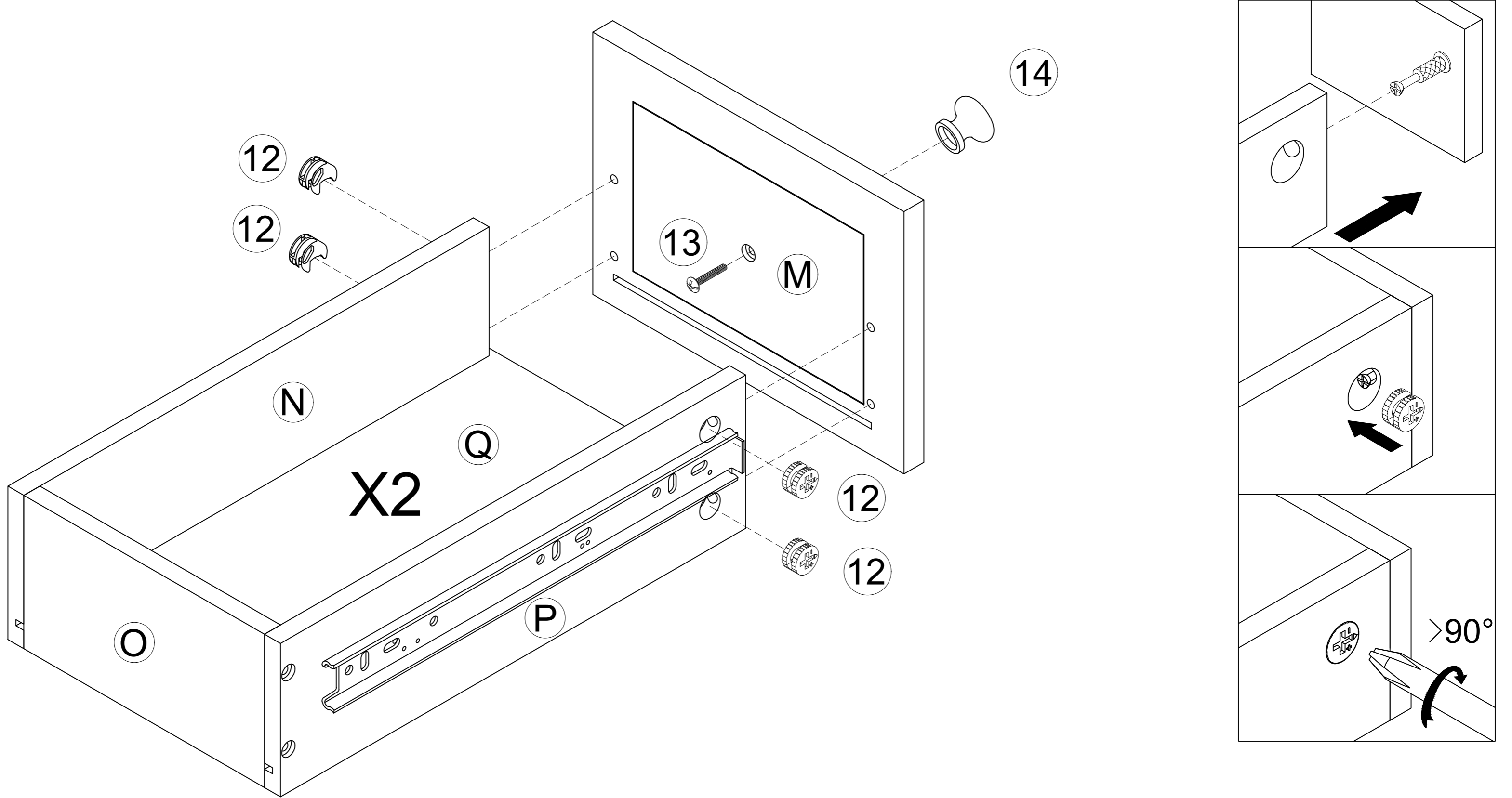


STEP 25

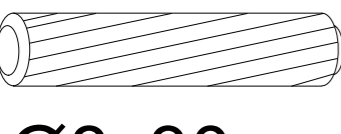
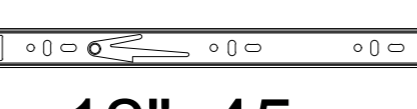



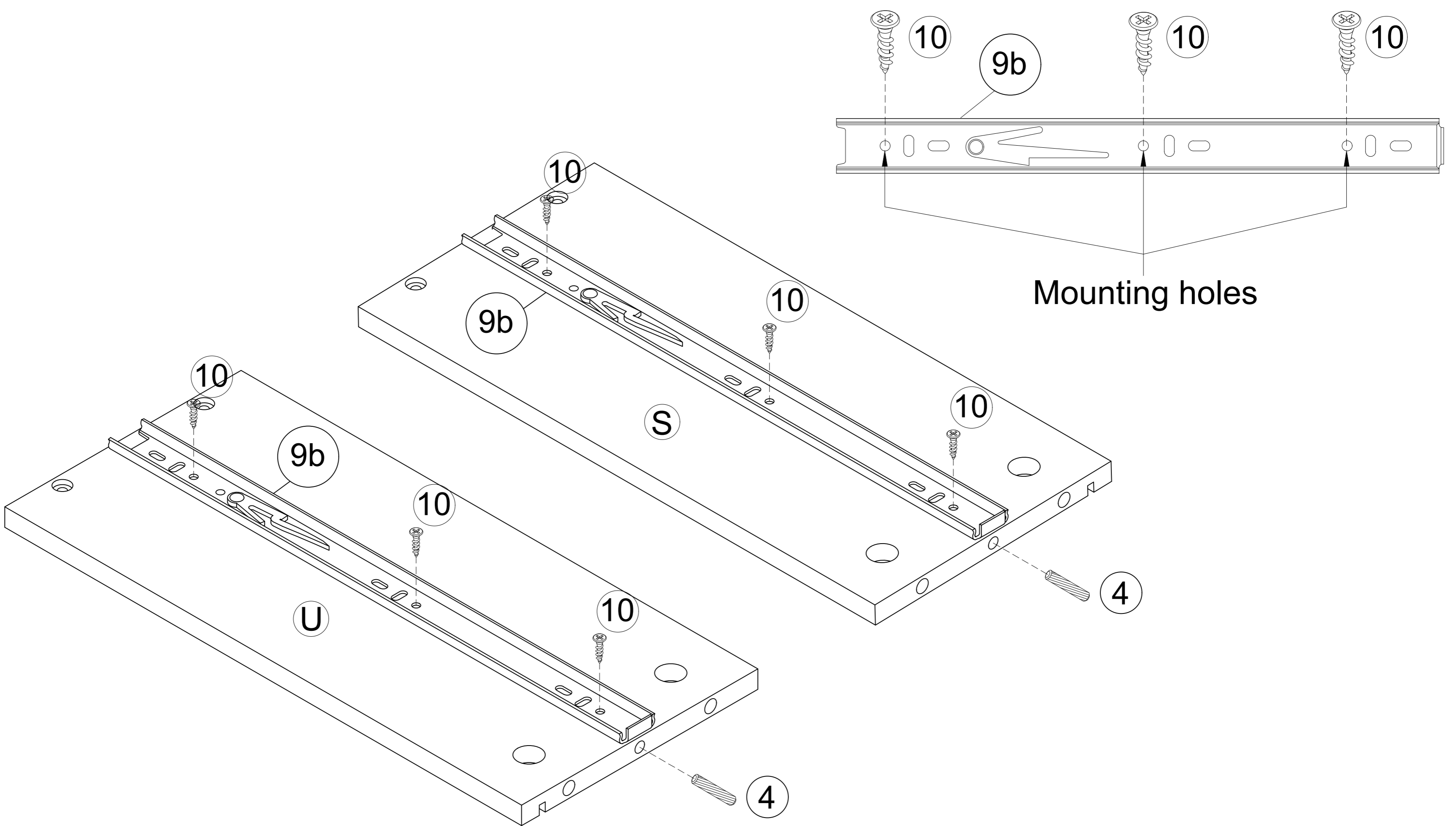
STEP 26

- | | | | | | | | | |
|----|---|------|----|---|------|----|---|------|
| 12 |  | 8pcs | 14 |  | 2pcs | 13 |  | 2pcs |
| | Ø15x9mm | | | | | | 5/32"x18mm | |

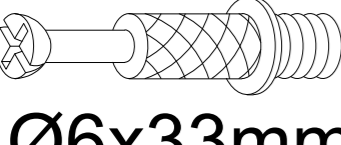


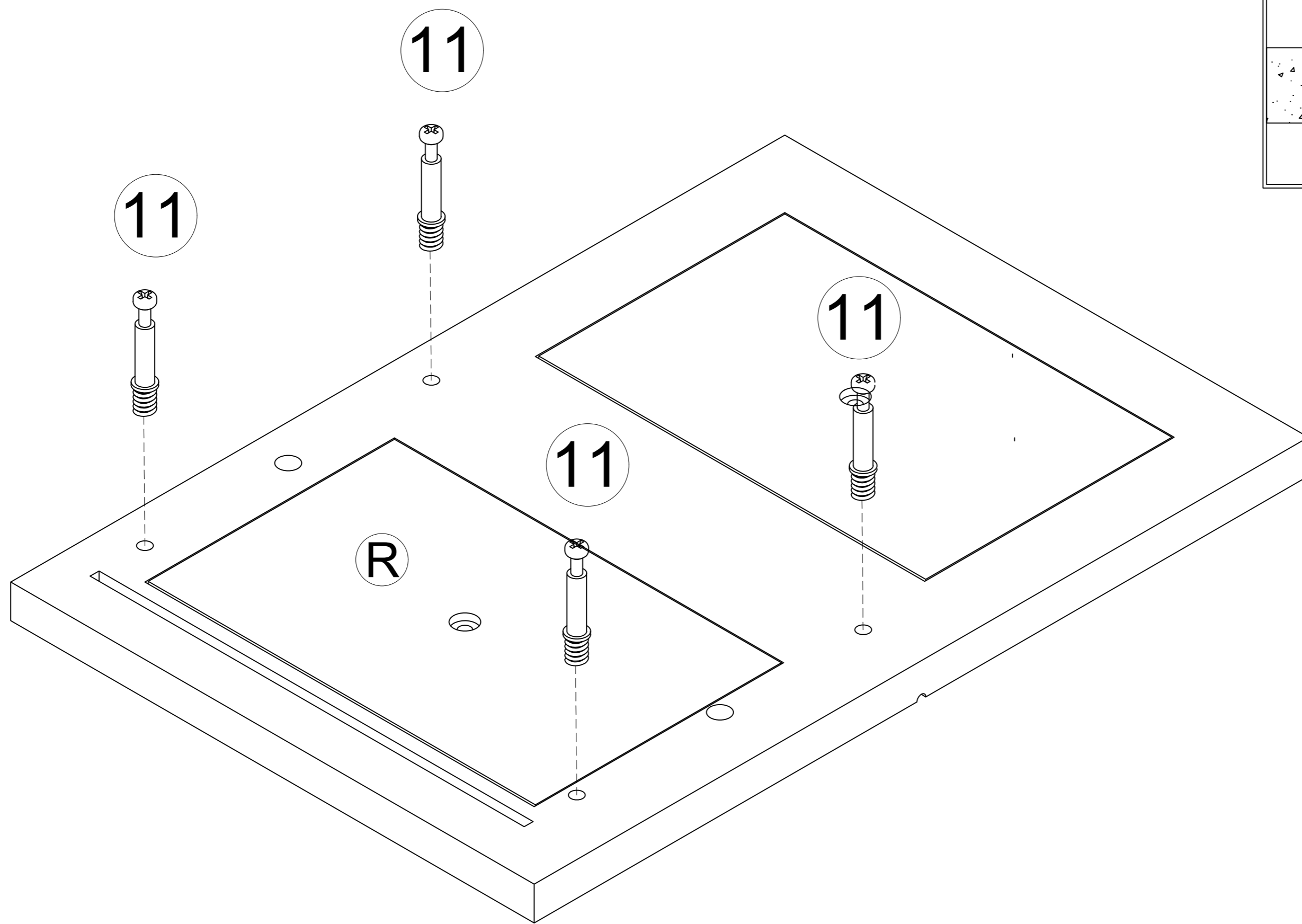
STEP 27

- | | | | | | | | | |
|---|---|------|----|---|------|----|---|------|
| 4 |  | 2pcs | 9b |  | 2pcs | 10 |  | 6pcs |
| | Ø8x30mm | | | 12"x45mm | | | Ø3x10mm | |

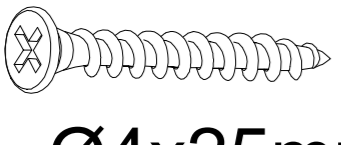


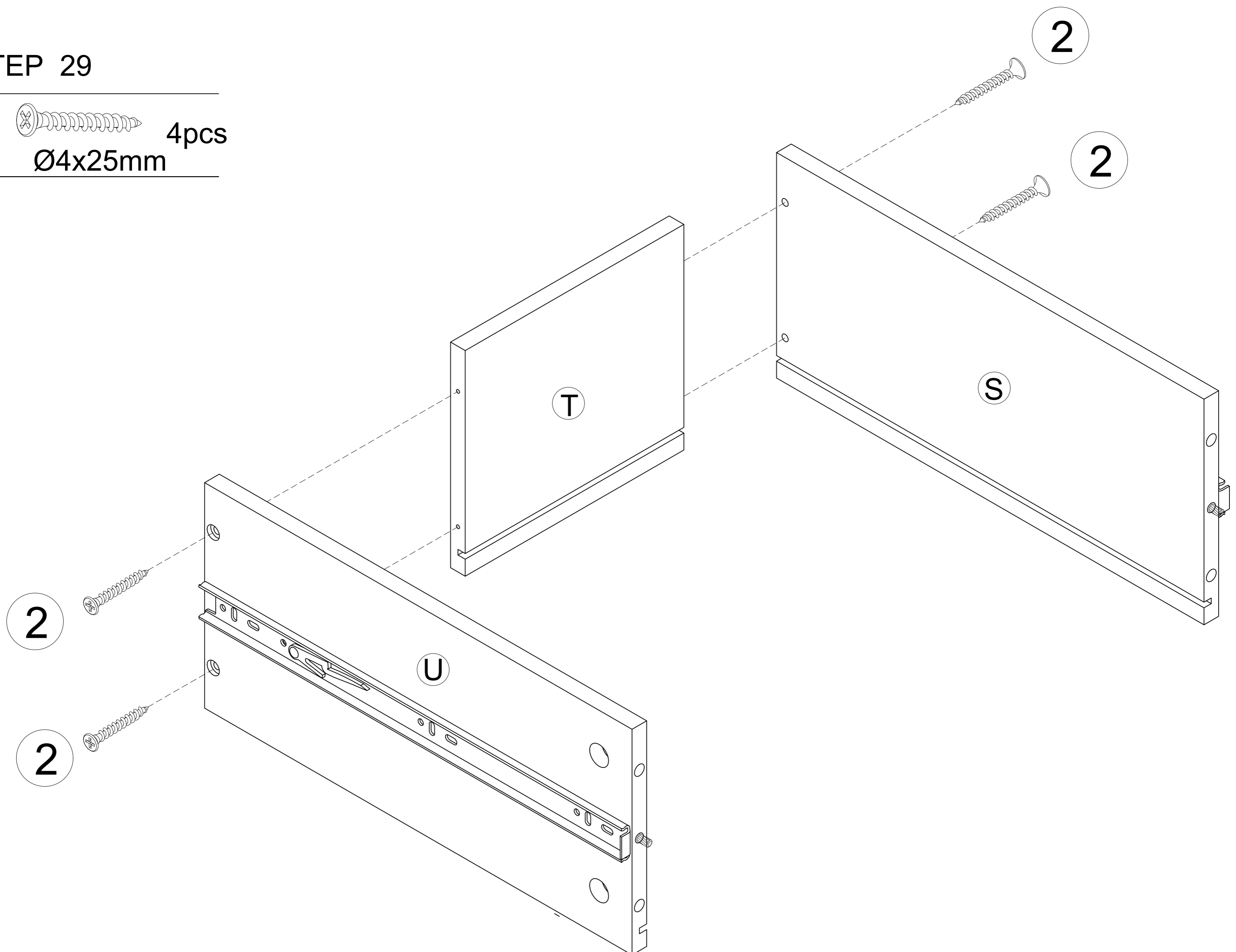
STEP 28

11  4pcs
Ø6x33mm

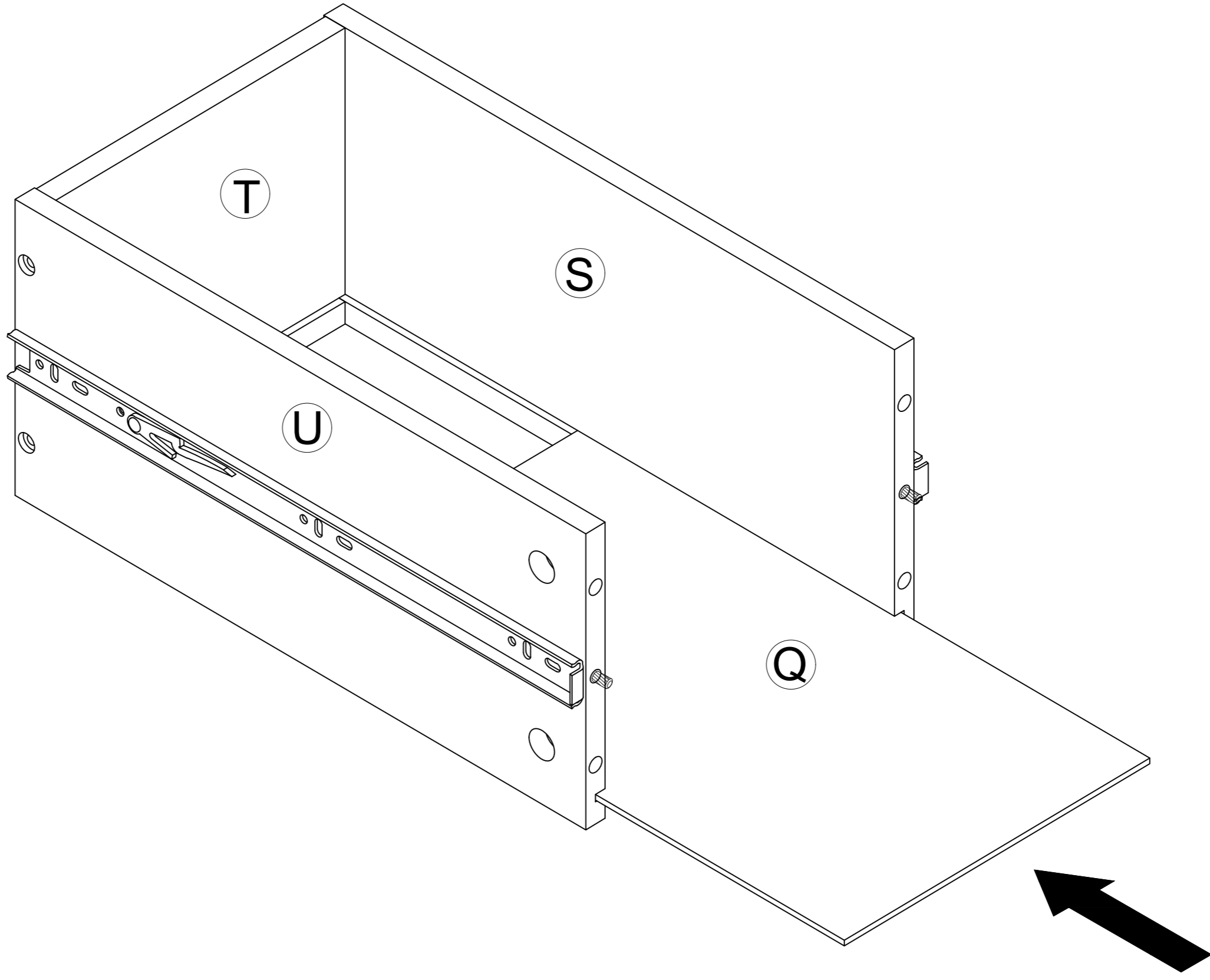


STEP 29

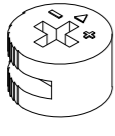
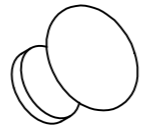
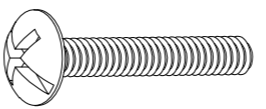
2  4pcs
Ø4x25mm

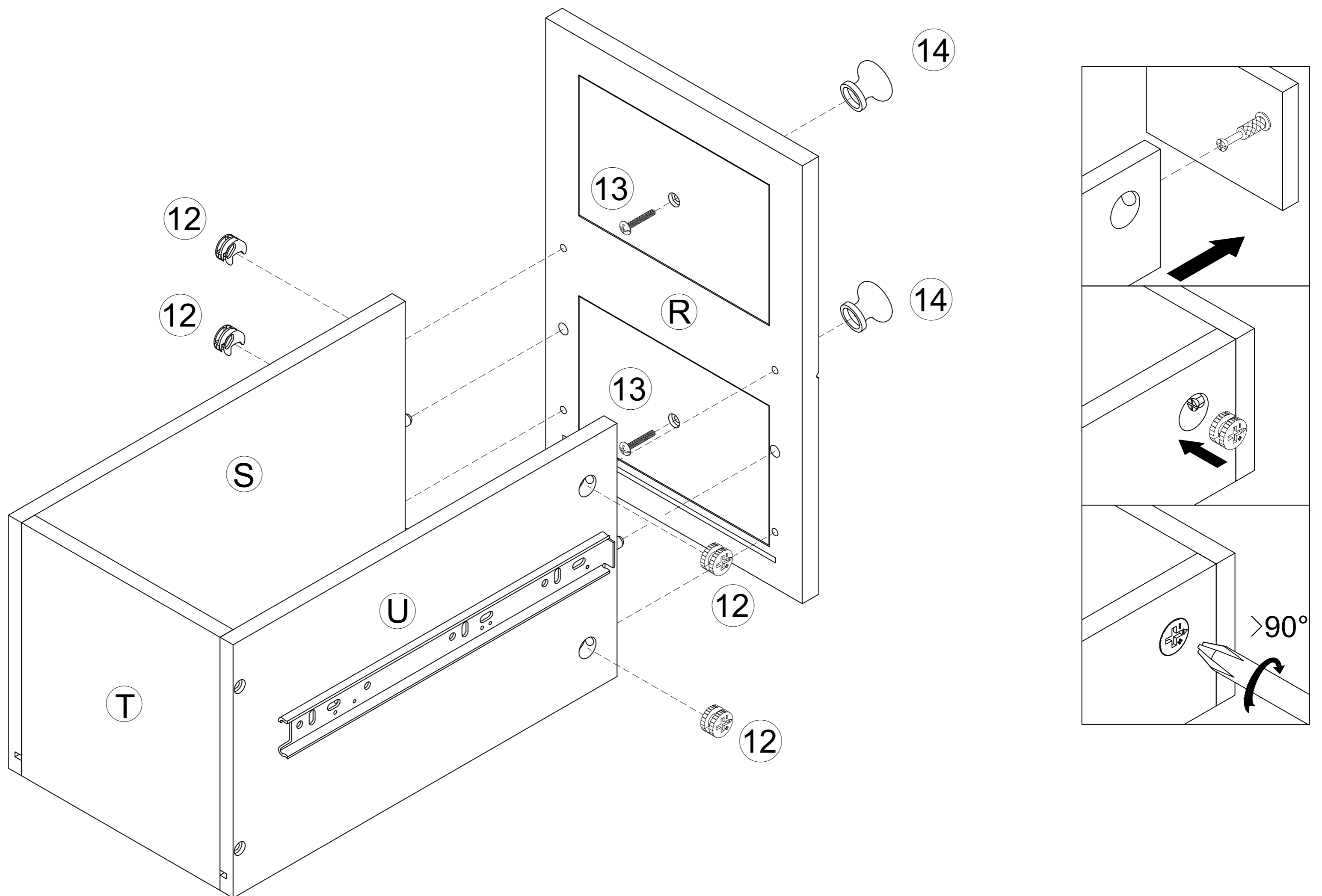


STEP 30



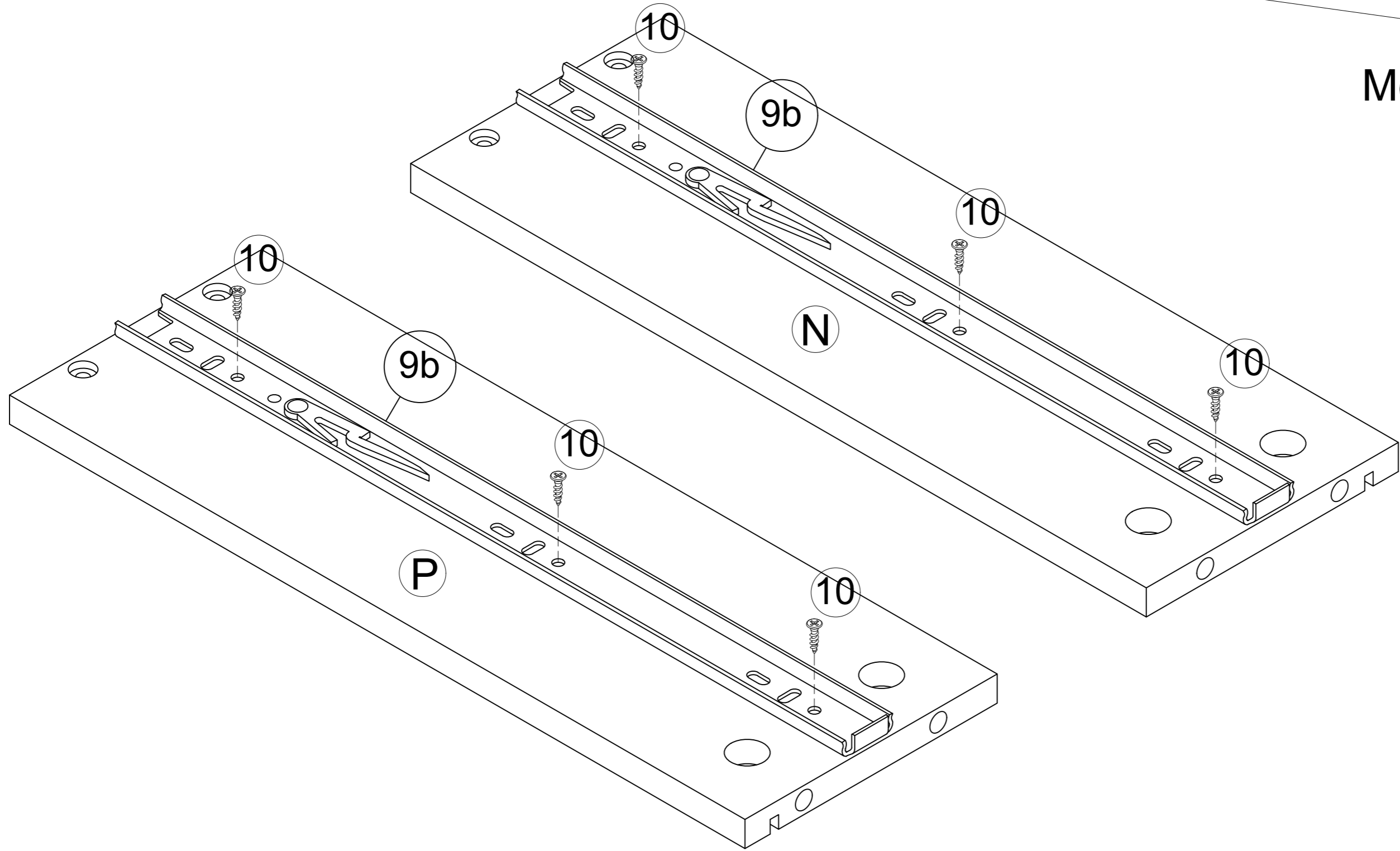
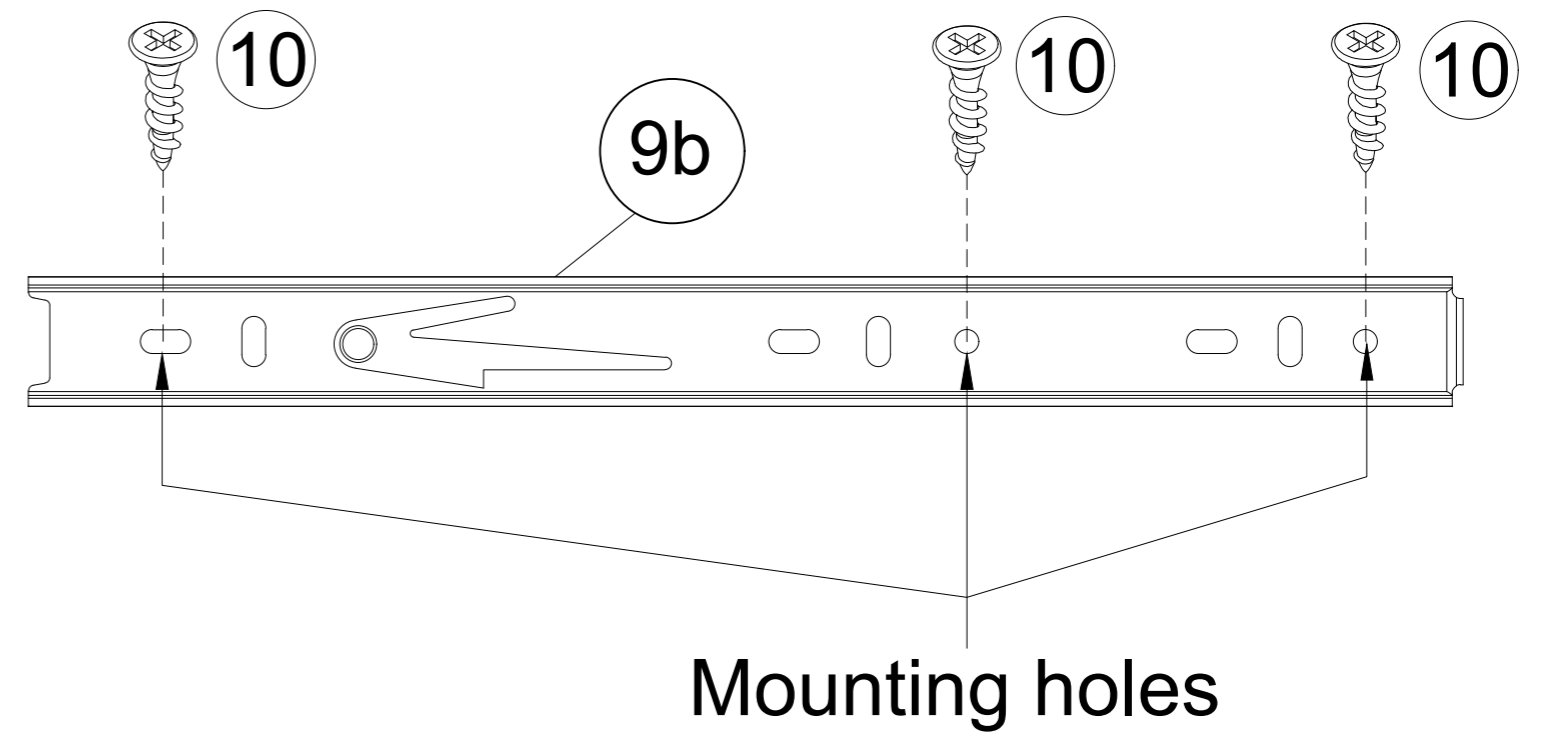
STEP 31

- | | | | | | | | | |
|----|---|------|----|---|------|----|---|------|
| 12 |  | 4pcs | 14 |  | 2pcs | 13 |  | 2pcs |
| | Ø15x9mm | | | | | | 5/32"x12mm | |



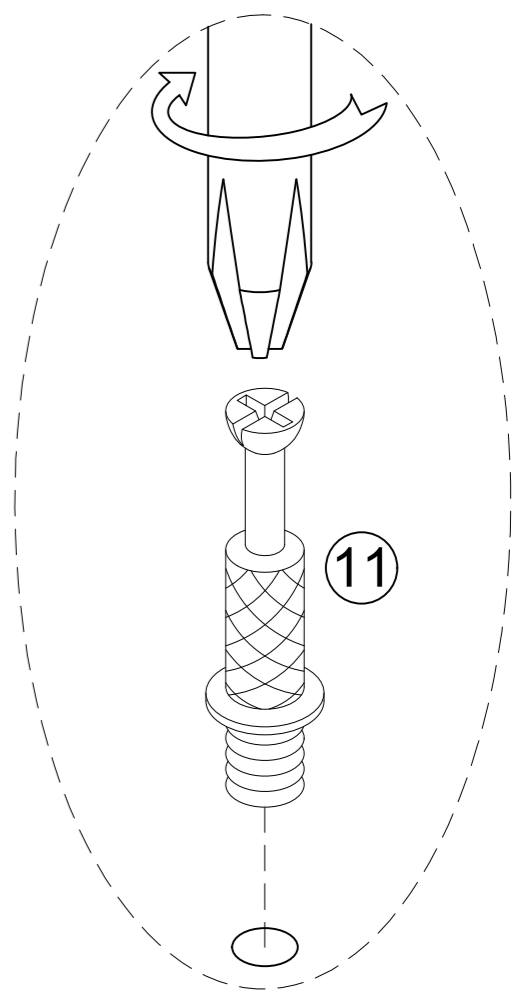
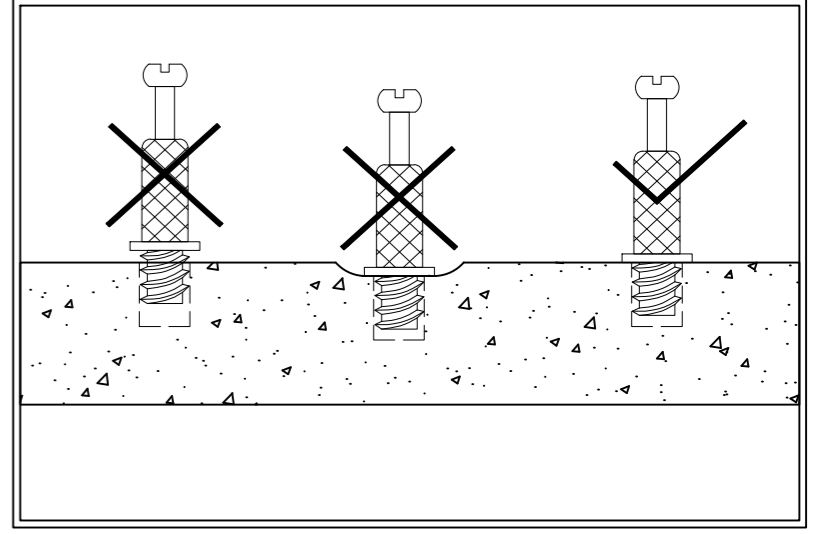
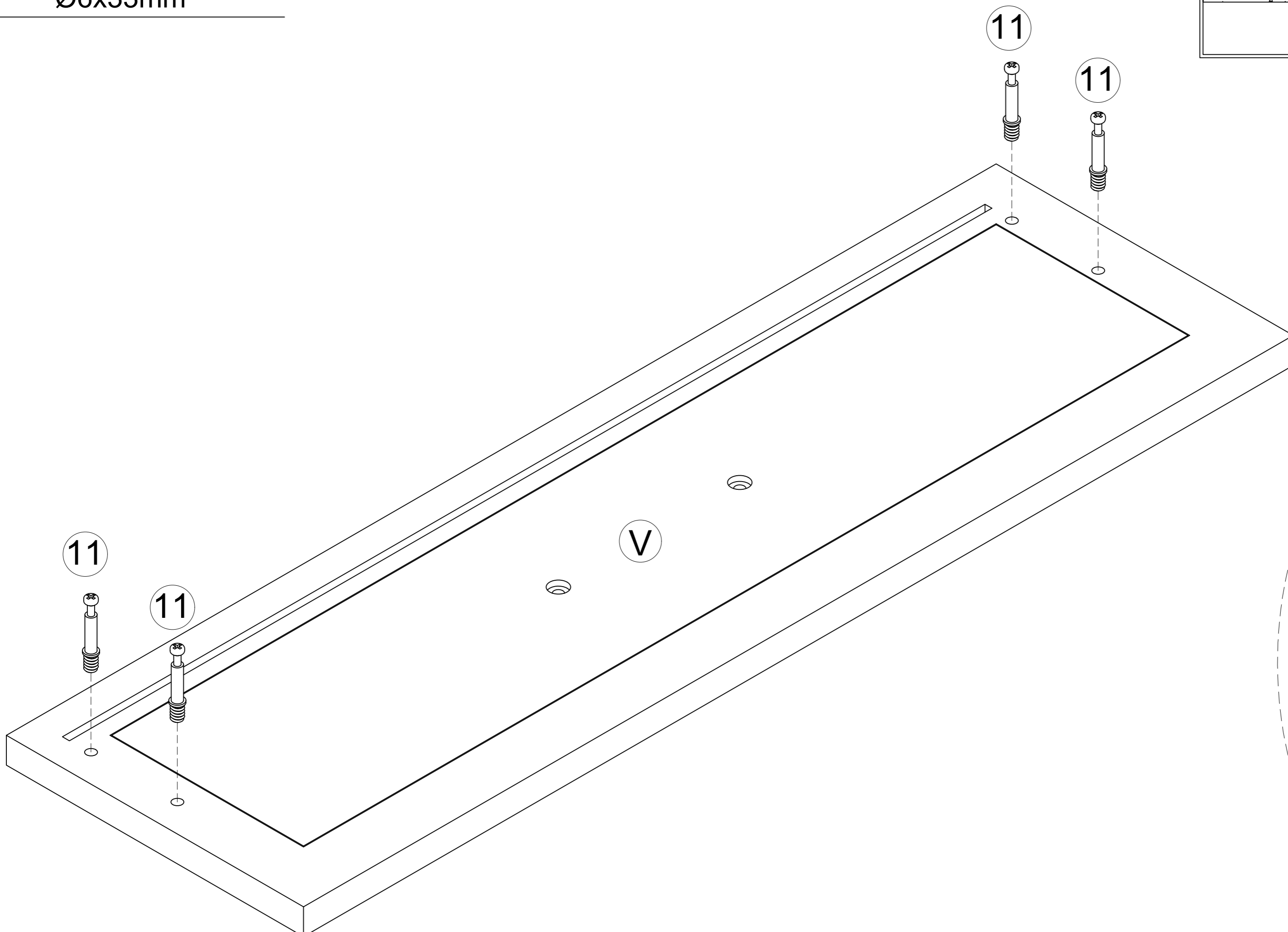
STEP 32

- 9b 12"x45mm 2pcs 10 Ø3x10mm 6pcs

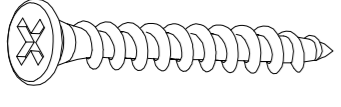


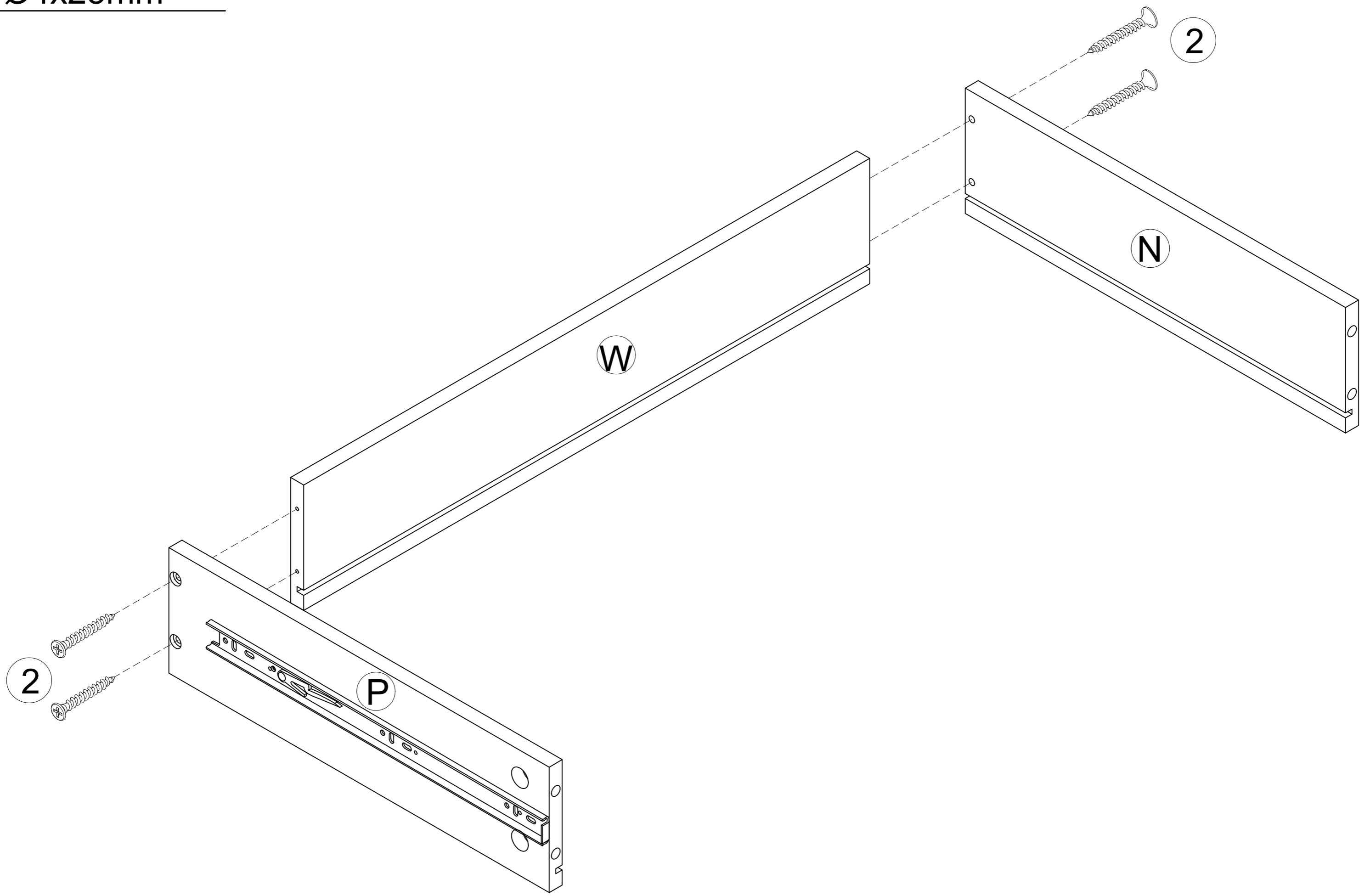
STEP 33

- 11 Ø6x33mm 4pcs

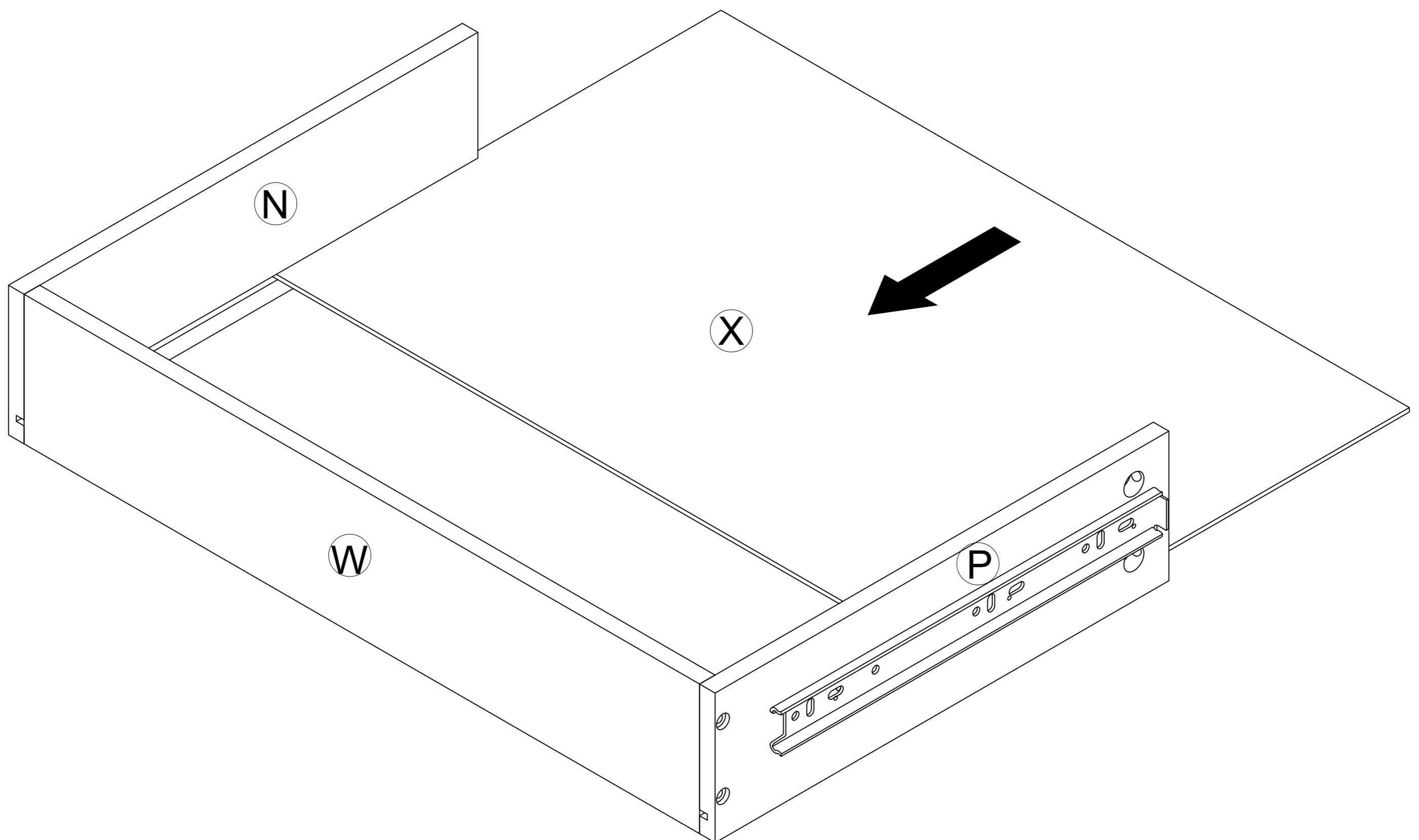


STEP 34

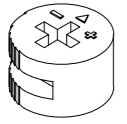
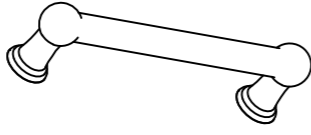
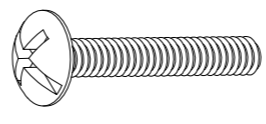
2  4pcs
Ø4x25mm

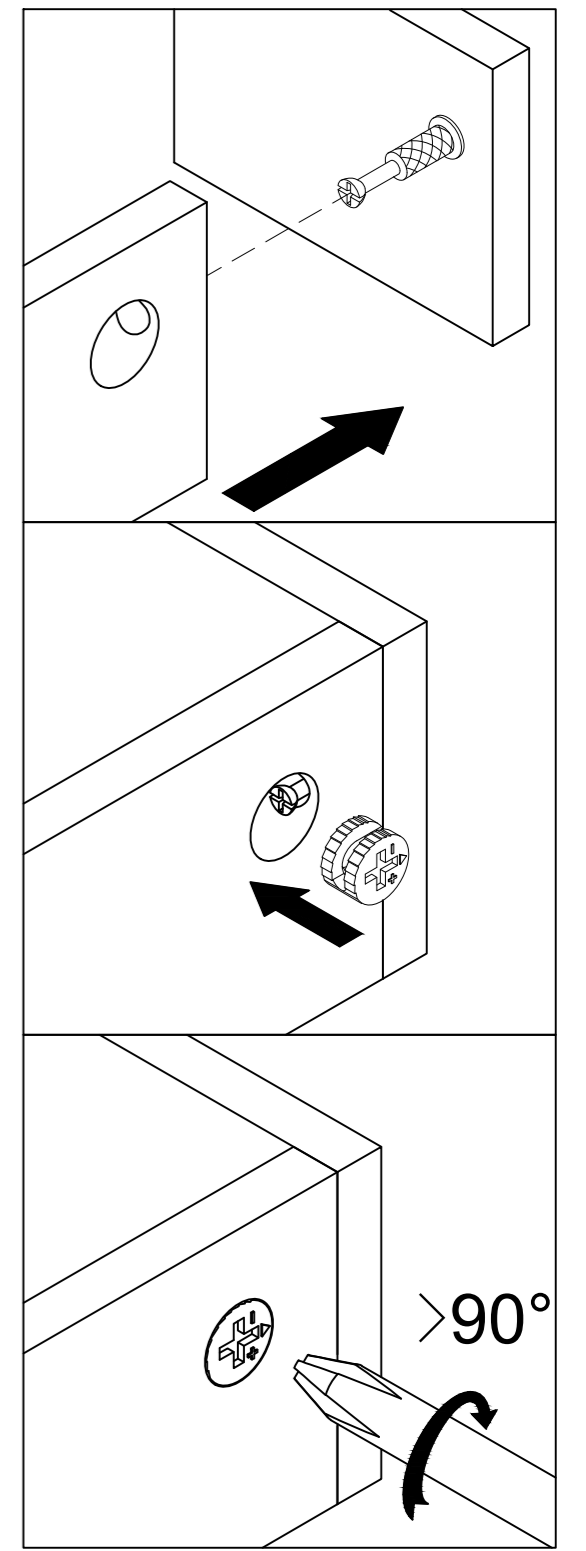
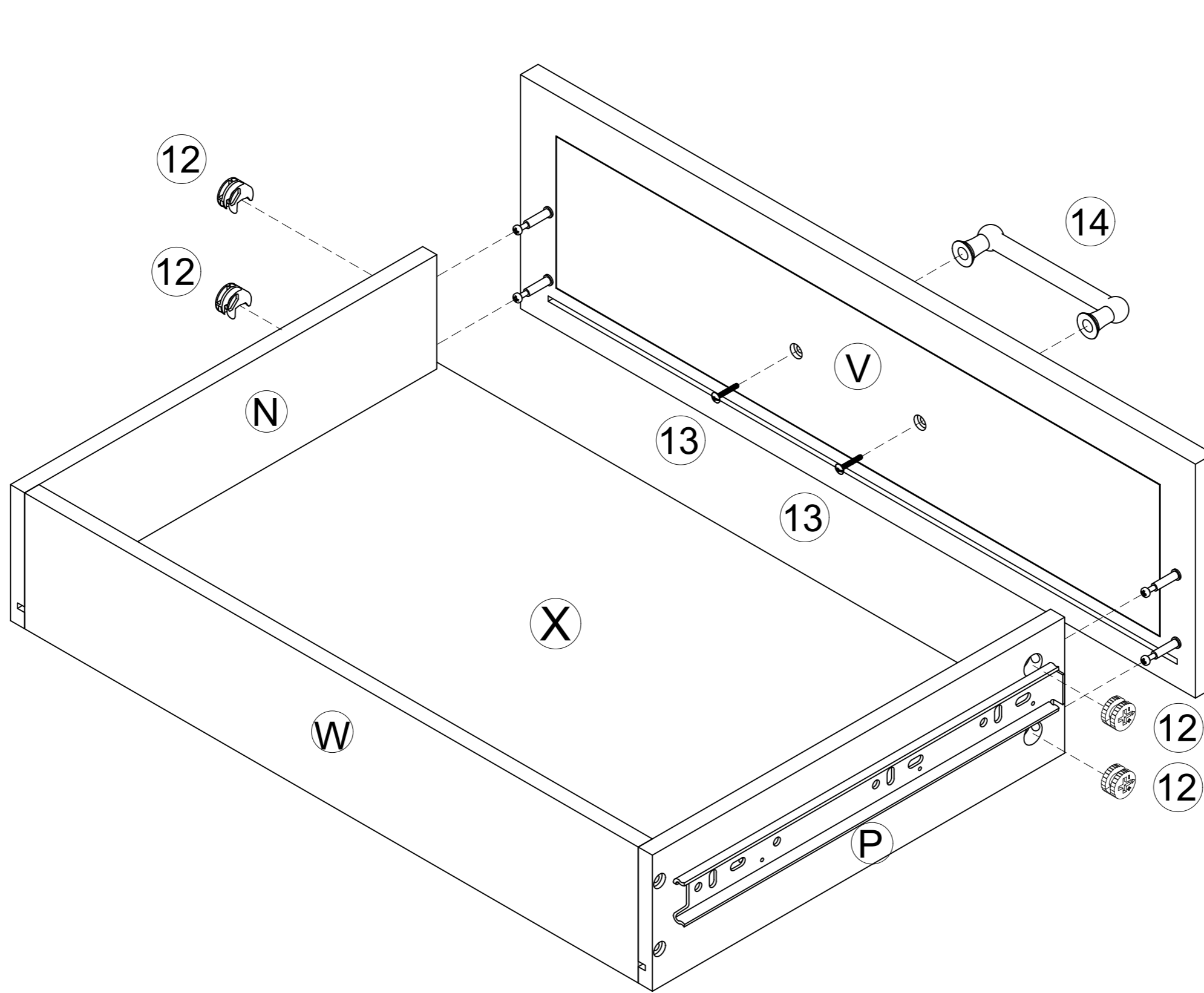


STEP 35

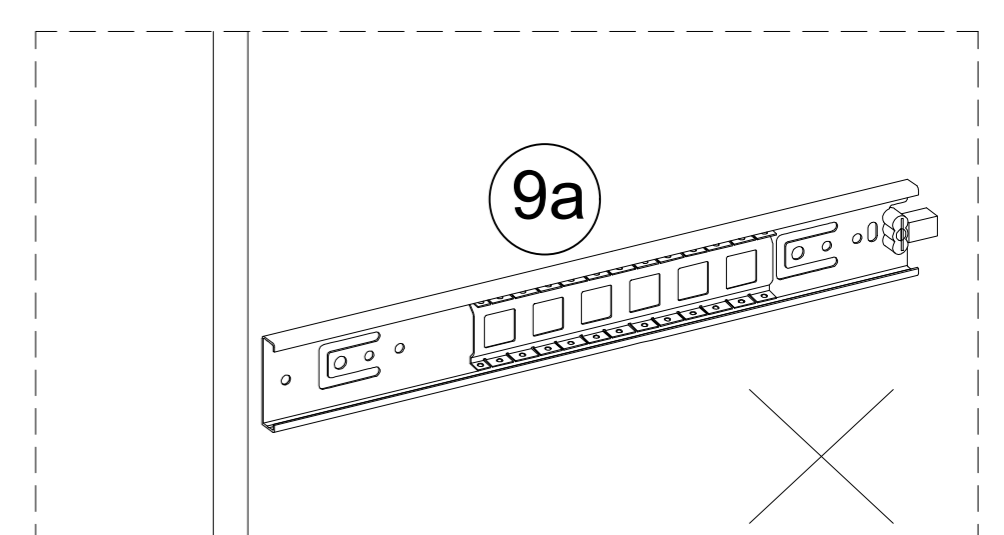
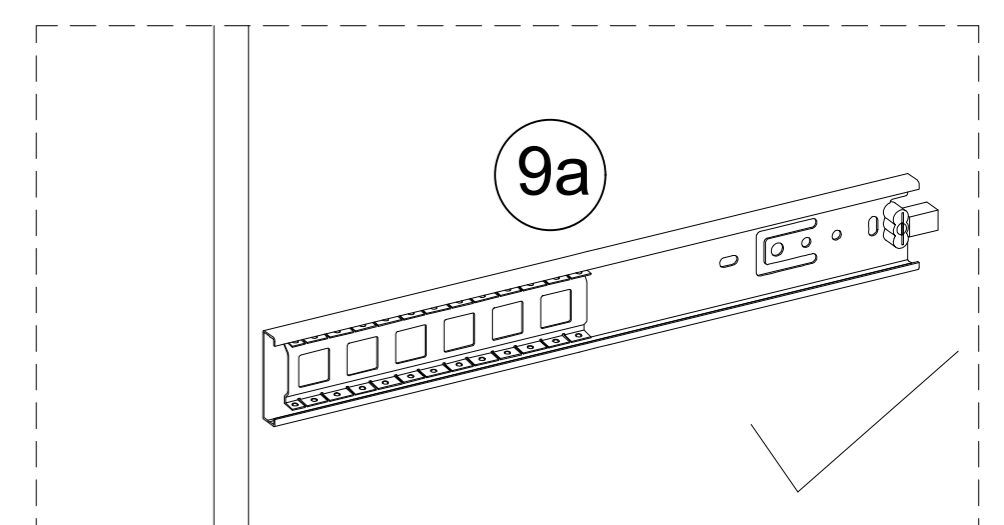
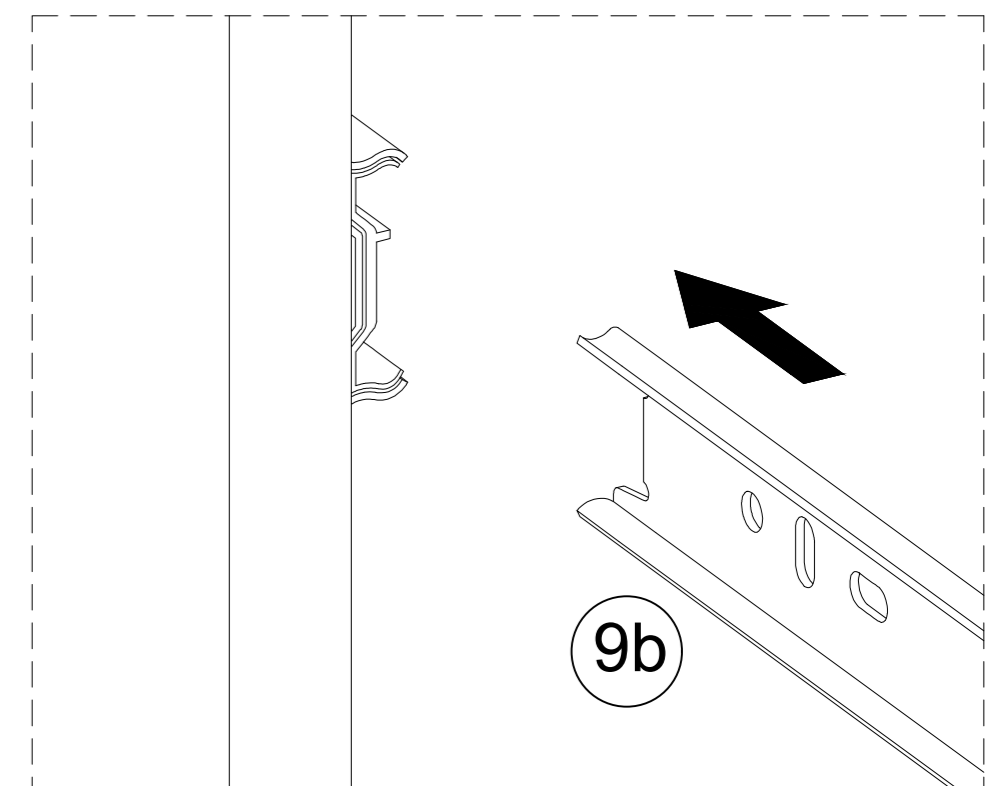
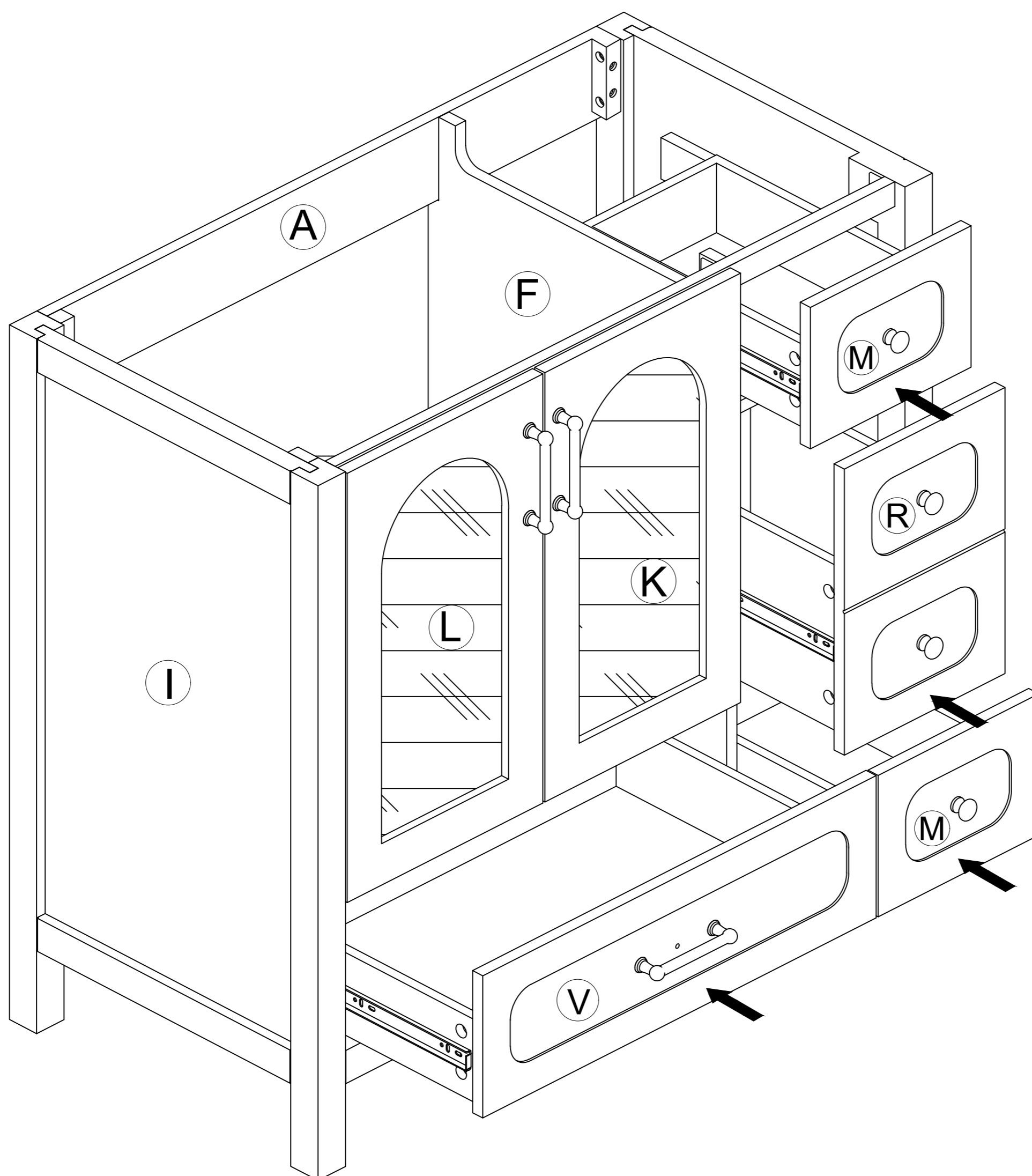


STEP 36

- 12  4pcs 14  1pc 13  2pcs
 $\text{Ø}15 \times 9 \text{mm}$ $5/32" \times 12 \text{mm}$

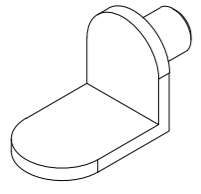


STEP 37

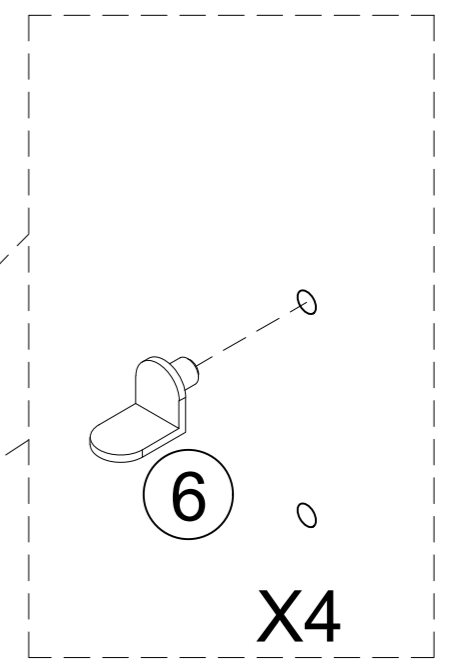
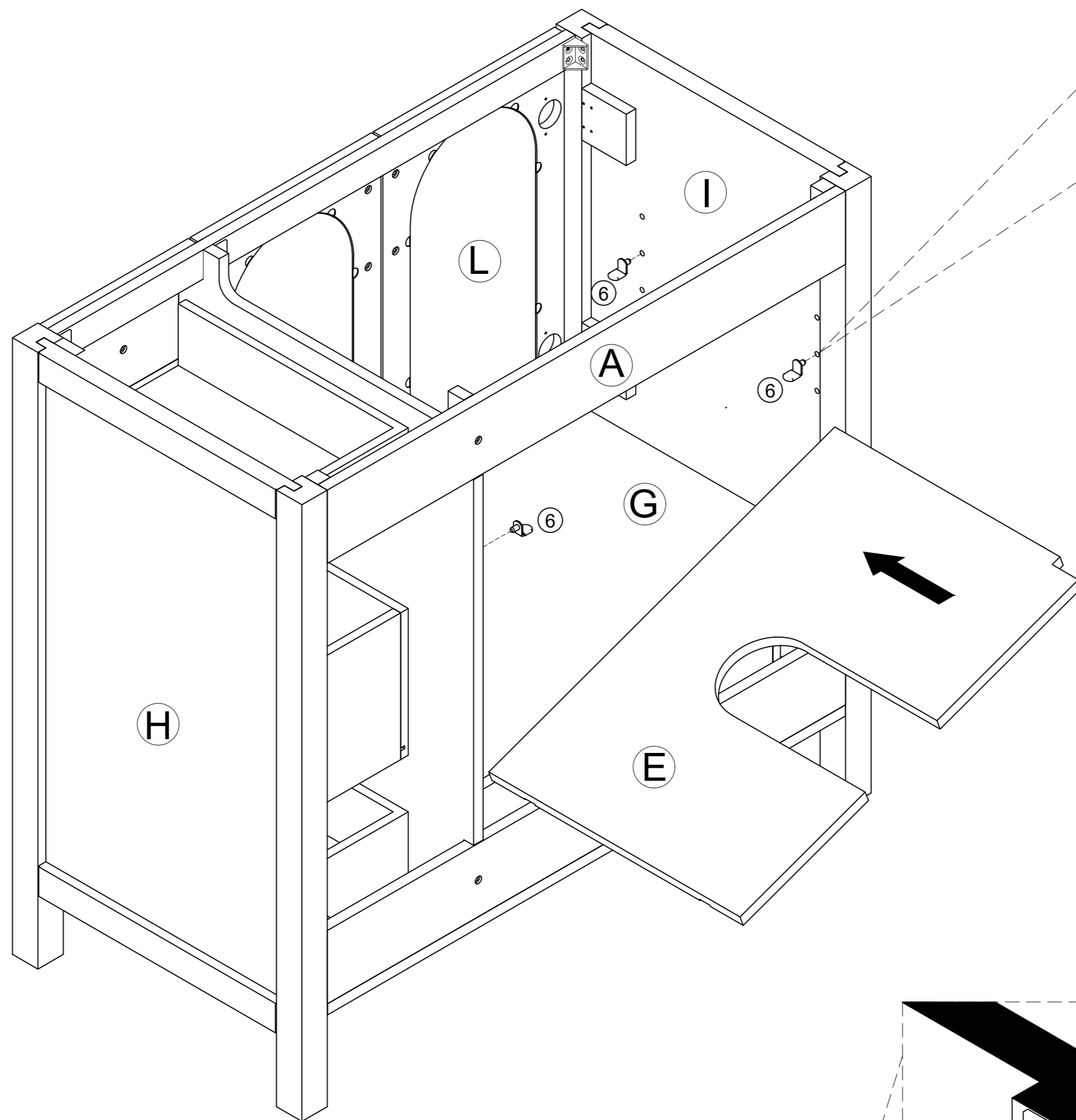


STEP 38

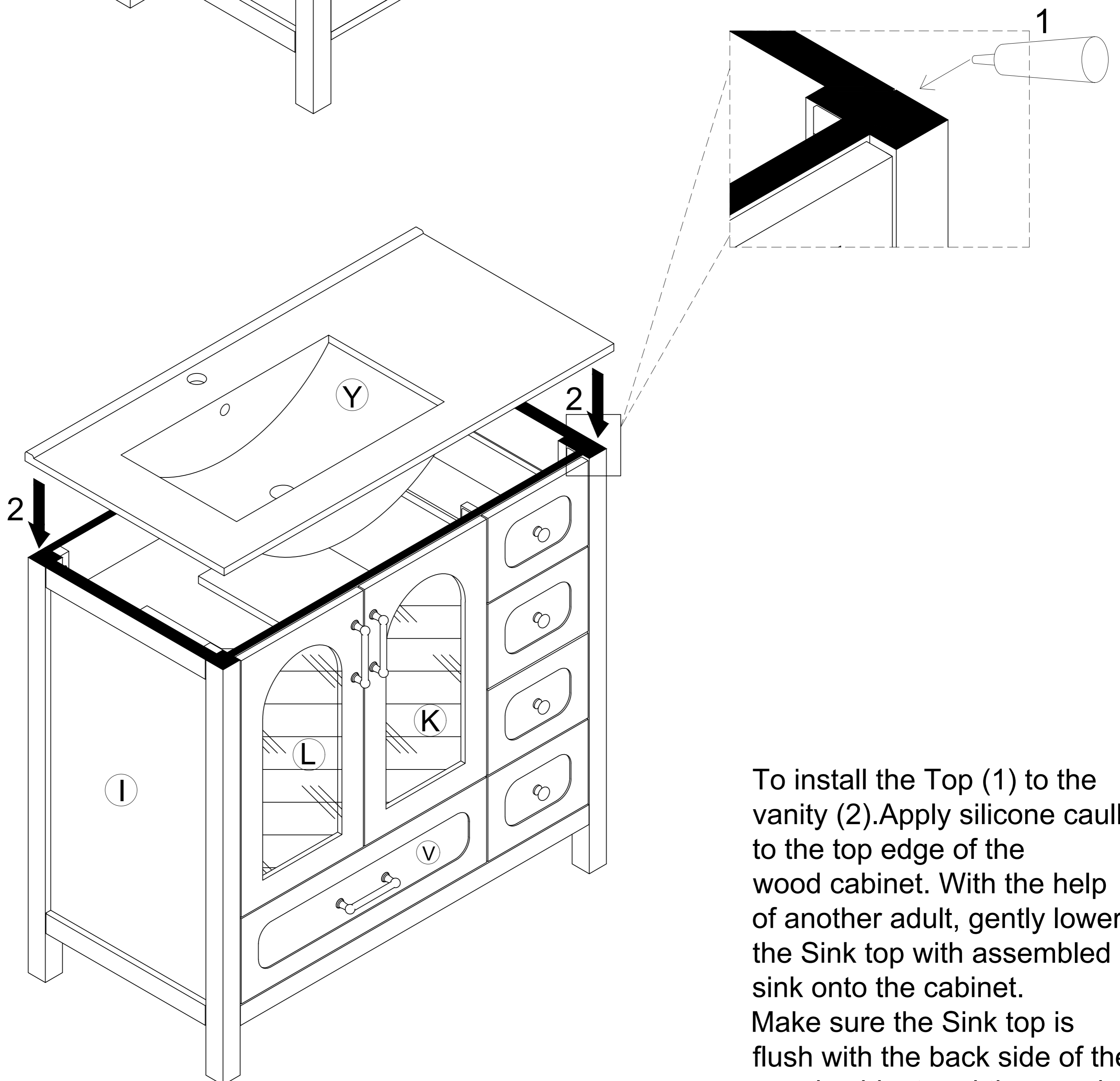
6



4pcs



STEP 39



To install the Top (1) to the vanity (2). Apply silicone caulk to the top edge of the wood cabinet. With the help of another adult, gently lower the Sink top with assembled sink onto the cabinet. Make sure the Sink top is flush with the back side of the wood cabinet and the wood cabinet left and right side walls.