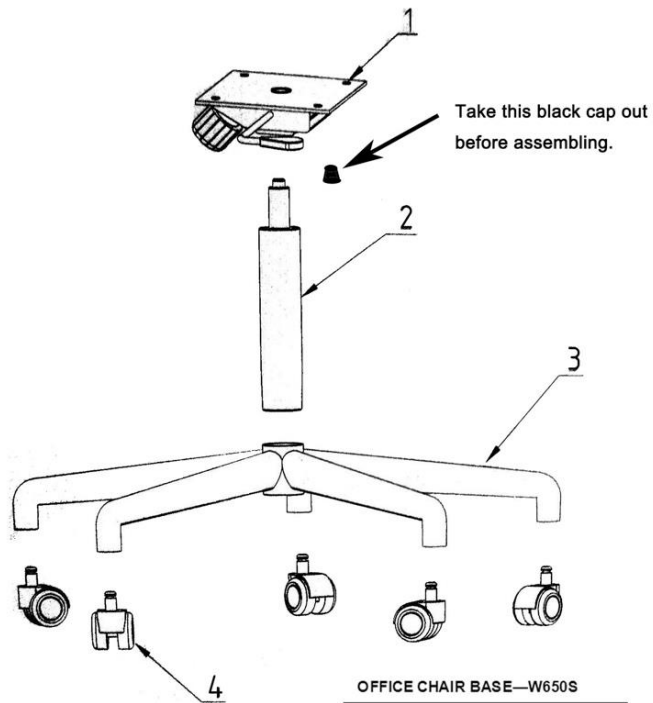


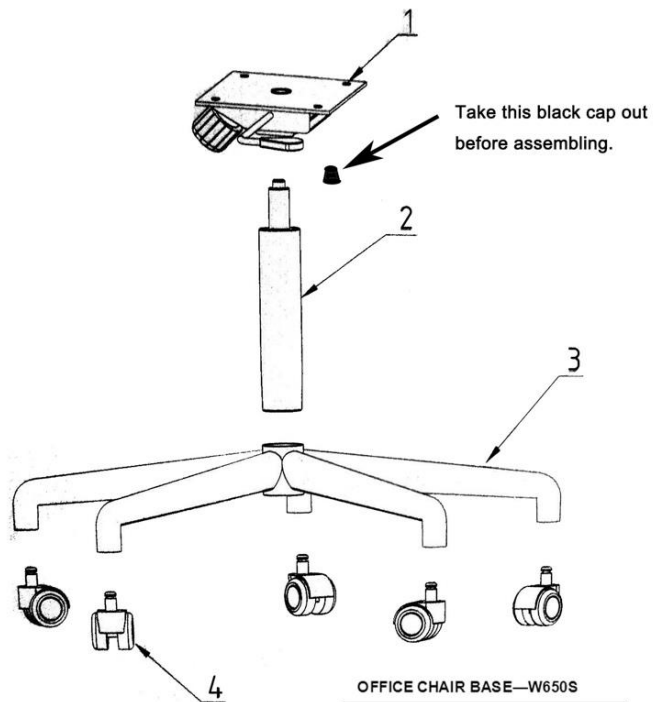
sohoConcept



OFFICE CHAIR BASE—W650S

Specifications		
No.	Part Names	QTY
1	Top plate	1
2	Gas Lift	1
3	Chrome Star Base	1
4	Castors	5

sohoConcept



OFFICE CHAIR BASE—W650S

Specifications		
No.	Part Names	QTY
1	Top plate	1
2	Gas Lift	1
3	Chrome Star Base	1
4	Castors	5