
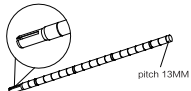
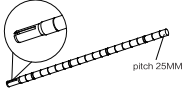


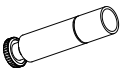



INSTALLATION

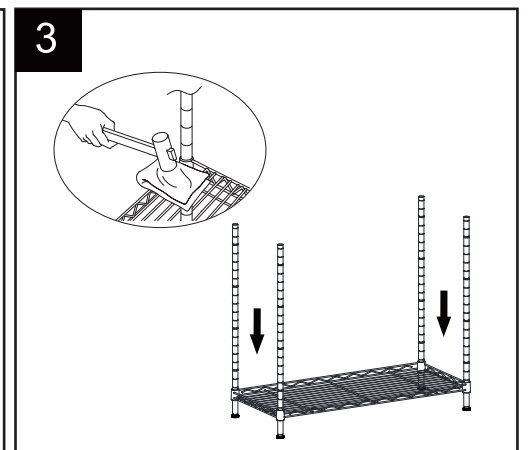
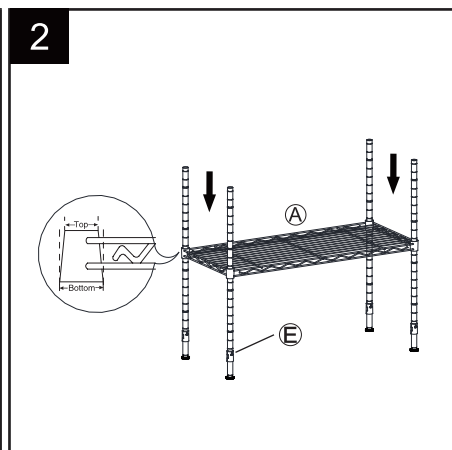
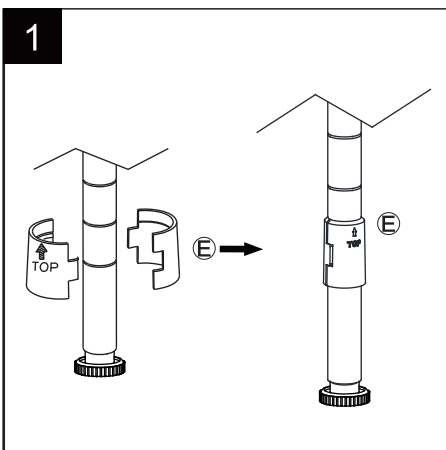
Carbon Steel Rack with 5-shelf

Parts list

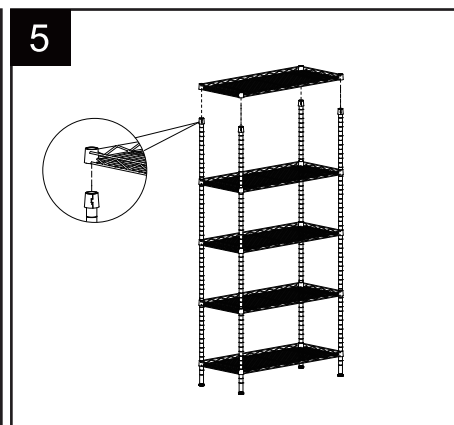
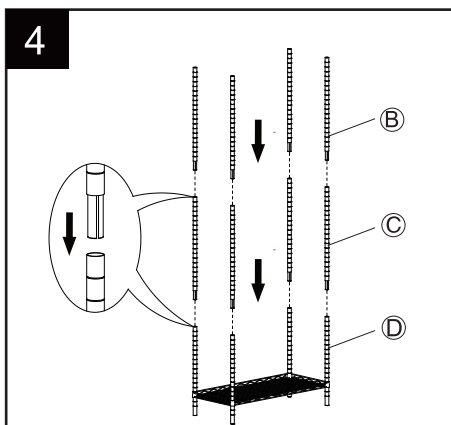
A Shelf x5	B Top Tube x4	C Middle Tube x4	D Bottom Tube x4	E Clips x20pairs	F Foot Tube x4	G Lid x4
				 spare parts x1pairs		

ASSEMBLY INSTRUCTIONS

1. Snap two plastic clips together around the bottom pole at a height you want and keep the arrow up. Move up and down the clips to make sure that they lock into the grooves.
2. Repeat Step1 and finish the 4 bottom poles with clips. Slide the bottom shelf onto the pole.
3. Push the bottom shelf down onto plastic clips until the shelf fits tight. (Tap lightly with rubber mallet if necessary)



4. Install middle tubes / top tubes accordingly.
5. Install all the shelves according to step 3.
6. Finished.

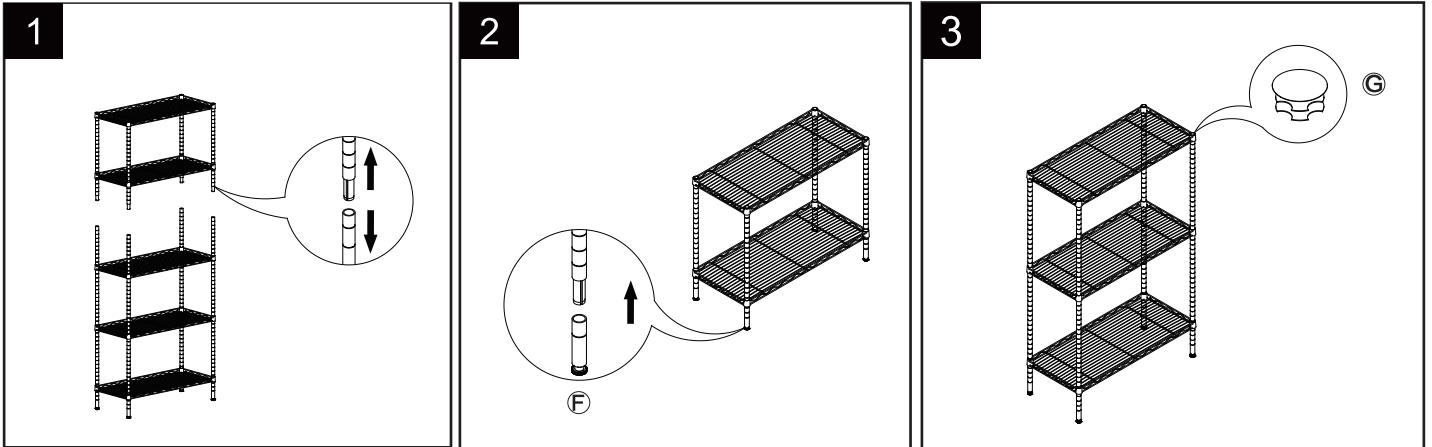


Install way from 1 to 2

1. Pull out the upper shelf.

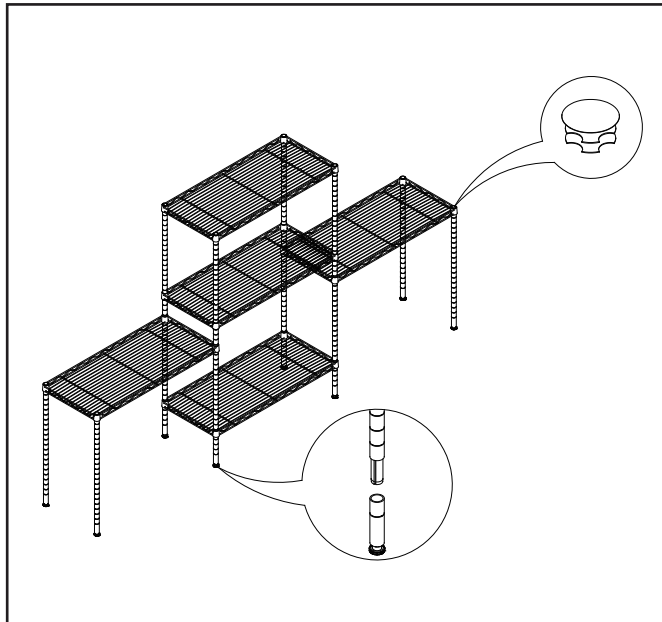
2. Put the bottom tube into the bottom pipe of the upper shelf.

3. Put the top lid into the top pipe of the remaining shelf.



MORE INSTALL WAY OPTIONAL

Type1



Type2

