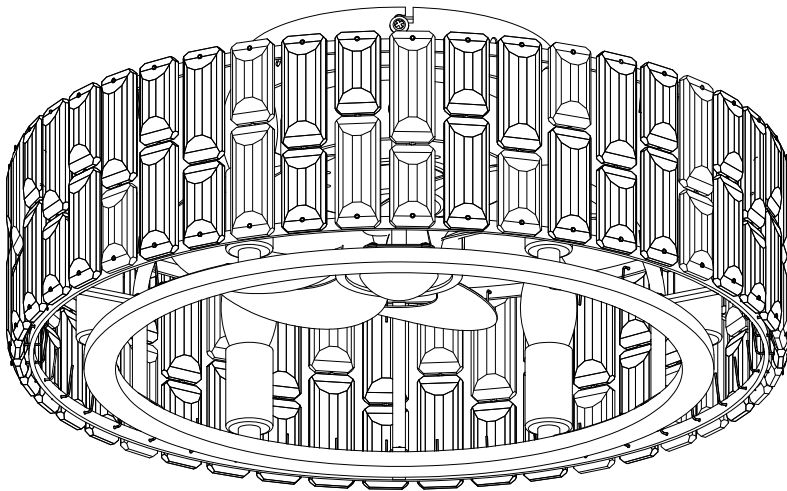


INSTALLATION MANUAL

CEILING FAN WITH LIGHTS

Model No.: CFL-1152-02



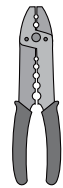
TOOLS REQUIRED



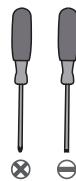
Ladder



Pliers



Wire
Strippers



Screwdrivers

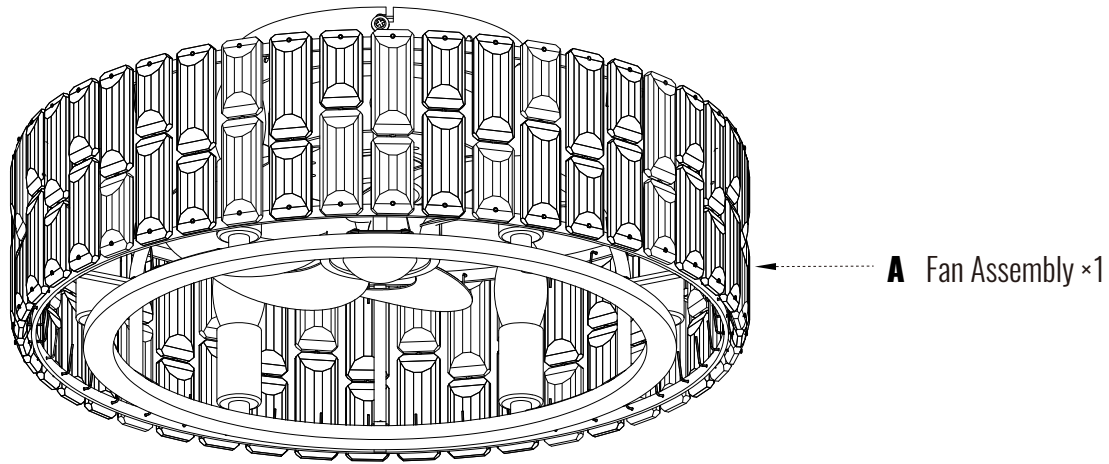


Scan for Installation Video



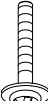







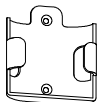



APP Control Applicable

PACKING LIST



INSTALLATION KIT

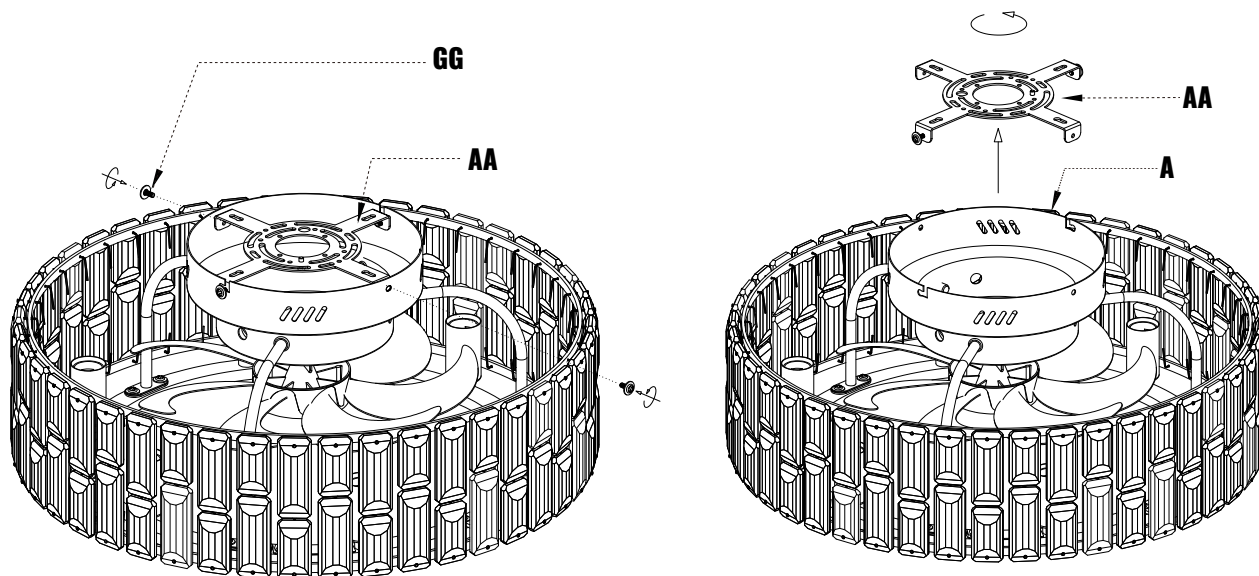
AA 1×  Mounting Bracket	BB 3×  Wire Nut	CC 2×  Outlet Box Screw	DD 4×  Wood Screw
EE 4×  Plastic Anchor	FF 1×  "S" Hook	GG 4×  Canopy Screw	HH 2×  Remote Holder Screw
II 2×  Remote Holder Anchor	JJ 1×  Remote Control	KK 1×  Remote Holder	LL 1×  Pair of Gloves

NOTE:

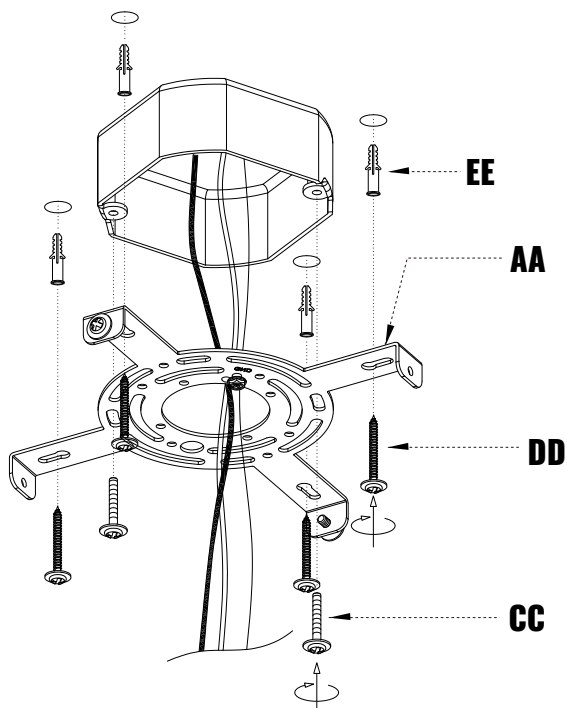
1. The listed quantity is for installation, extra hardware may be included.
2. Mounting bracket (AA) and canopy screws (GG) are pre-installed on fan assembly (A).

INSTALLATION

1. Install the Mounting Bracket

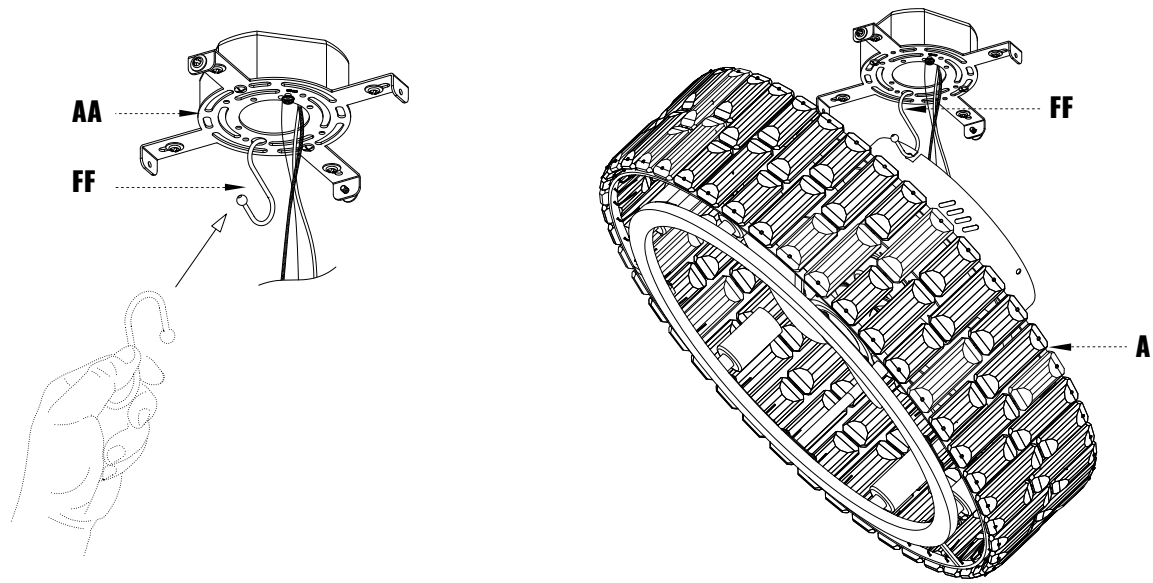


Loosen and remove the canopy screws (GG) from the round holes, and loosen the canopy screws (GG) in the 'L' holes but do not remove them, and then remove the mounting bracket (AA) from the canopy.



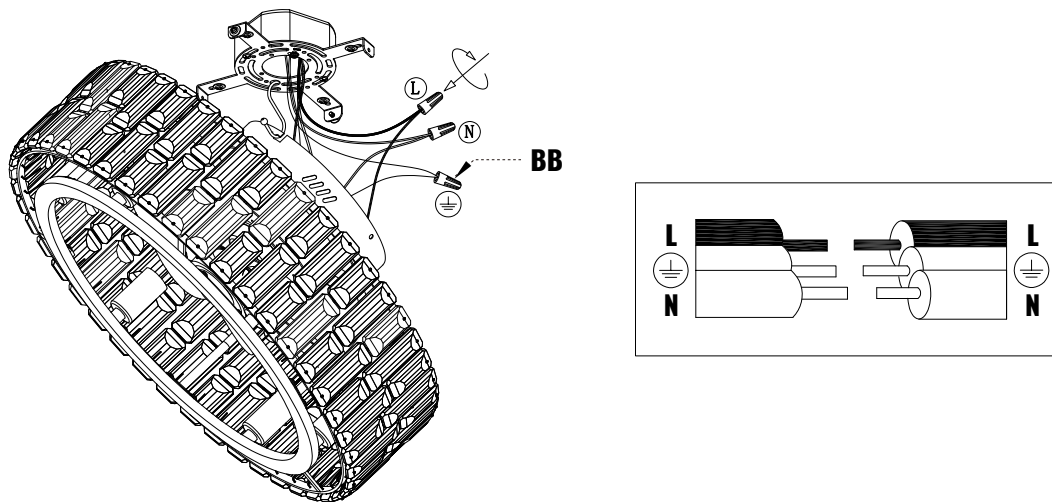
STEP 1: Mark and drill screw holes in the ceiling, then insert the plastic anchors (EE).
STEP 2: Fix the mounting bracket (AA) to the outlet box using outlet box screws (CC) , and then tighten it with wood screws (DD).

2. Hang the Fan



Hang the fan onto the mounting bracket (AA) with "S" hook (FF) provided.

3. Connect the Wires



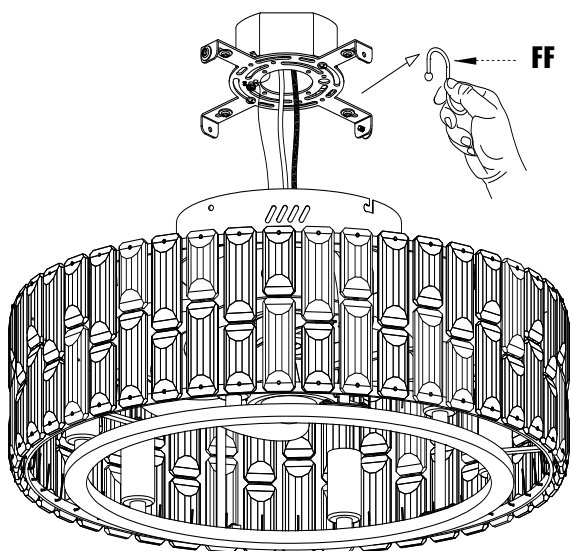
STEP 1: Connect the wires from the fan to the house supply wires with wire nuts (BB), ground wire (green, green/yellow, or bare copper) to ground wire, neutral wire (white) to neutral wire, and hot wire (black) to hot wire. Wrap the connection with electrical tape.

Step 2: Spread apart the wires so that the hot wires are on one side of the outlet box and the neutral wires are on the other side.

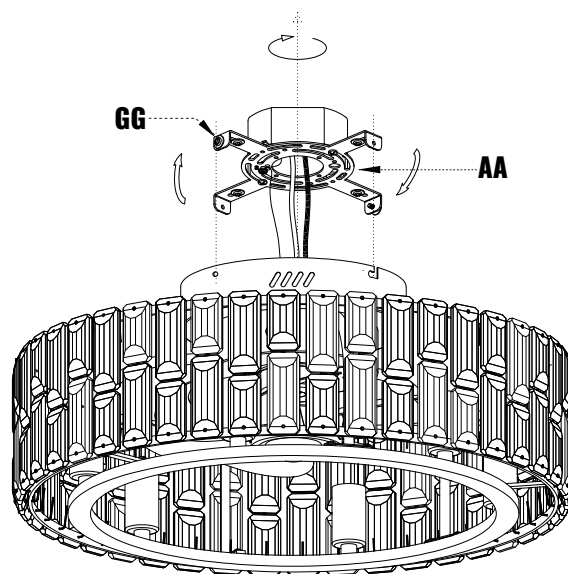
Note:

This fan only needs one set of input wires (black, white, and ground wire). Both of the fan and lights will be controlled by the remote controller. This fan can only be connected to an on/off switch if you have one, not a dimmer switch.

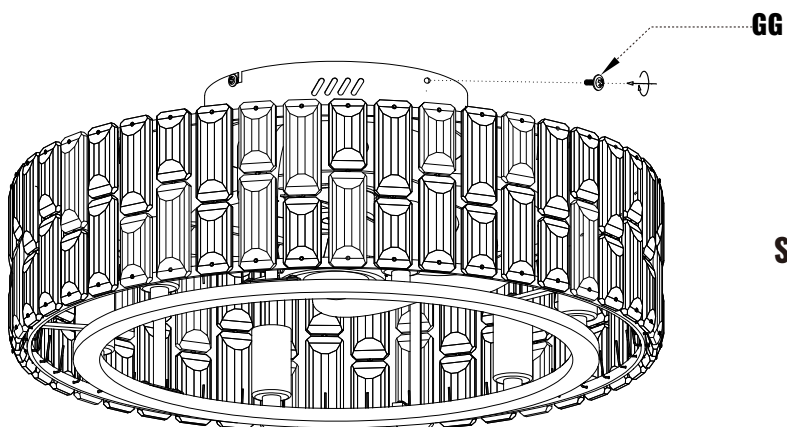
4. Attach the Canopy



STEP 1: Take away the "S" hook (FF).

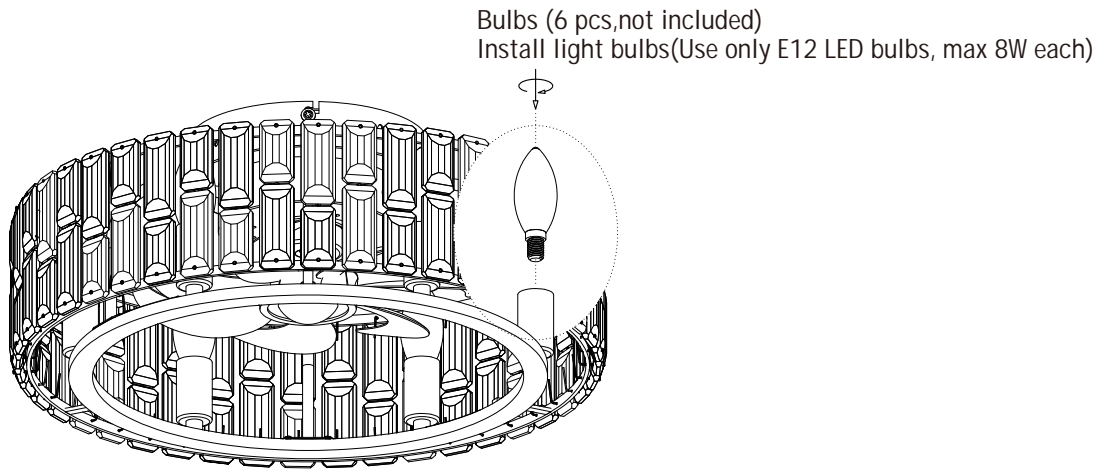


STEP 2: Align the "L" slots from the canopy to the canopy screws (GG) on the mounting bracket (AA), rotate the canopy to lock it onto the mounting bracket (AA).



STEP 3: Tighten the canopy screws (GG).

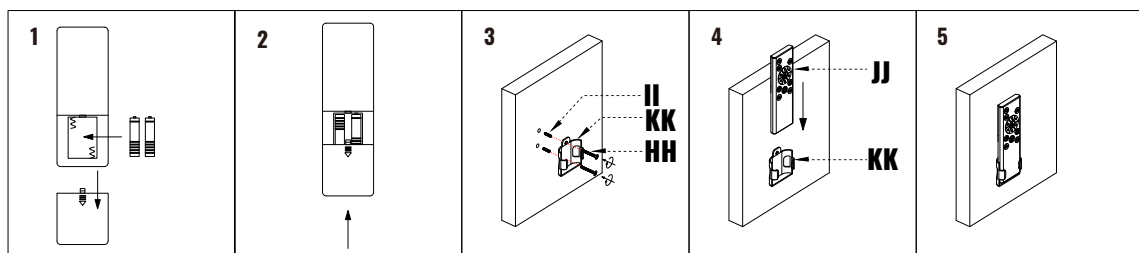
5. Install Light Bulbs



Note:

1. Dimming requires dimmable LED bulbs, max 8W per bulb.
2. For bulbs with color temperature control, repeatedly turn on and off the wall switch or press the "Light on/off" button on the remote to change the light color.

6. Install the Remote Holder

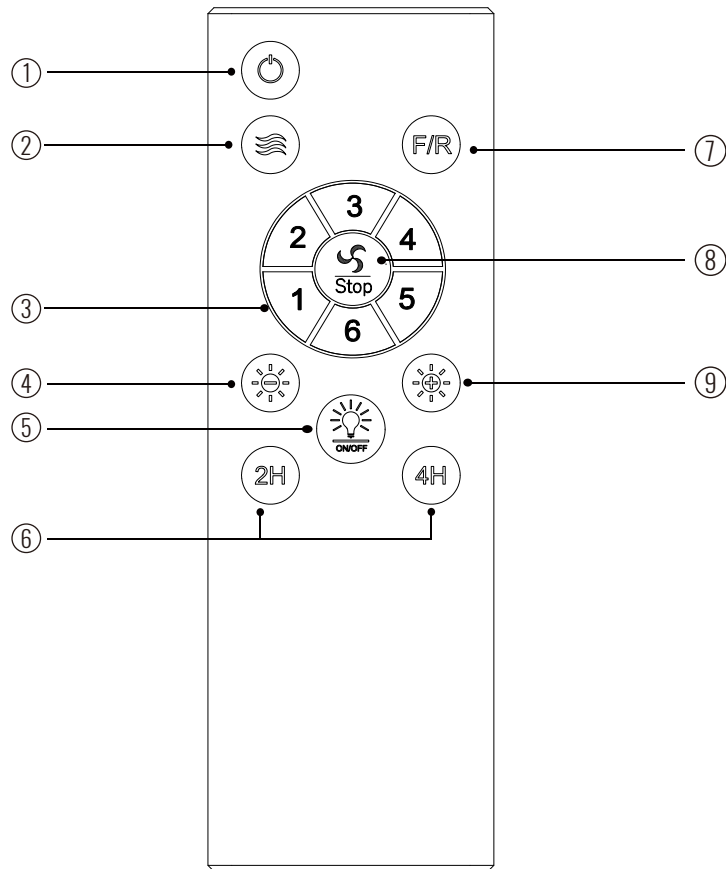


STEP 1: Insert 2 batteries before using: AAA 1.5V battery x 2pcs (not included).

STEP 2: Mark and drill screw holes in the wall, then insert the remote holder anchors (II).

STEP 3: Use remote holder screws (HH) to fix the remote holder (KK) onto the wall.

REMOTE CONTROL INSTRUCTIONS



NOTE:

Please insert 2 batteries before using.

AAA 1.5V battery x 2pcs (not included)

- ①: Turn off the fan and lights.
- ②: Natural wind of the fan, fan speed will change automatically when use this function.
- ③: 1/2/3/4/5/6 for fan speeds.
- ④ ⑨: Change the brightness of the lights.
- ⑤: Turn on/off the lights.
- ⑥: 2H/4H for timing the fan.
- ⑦: "F" refers forward fan direction. "R" refers reverse the fan.
- ⑧: Turn off the fan.

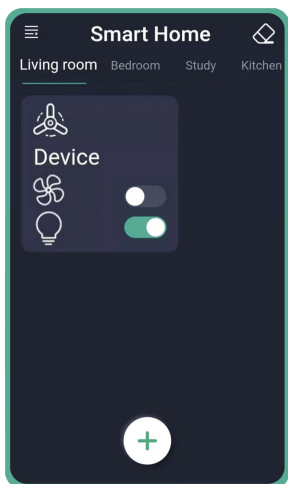
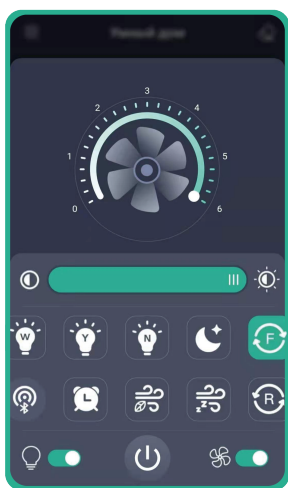
REMOTE SIGNAL PAIRING:

If the remote control loses signal of the fan, turn off the power from wall switch, then turn it on, press ⑤ immediately for around 3 seconds, after the fixture beeps or flashes, then it's done.

APP CONTROL INSTRUCTIONS



NOTE: Scan the QR code and install the APP in your phone, or search and install "FanLamp Pro" from Google Play, Apple App and other APP stores. Make sure your phone is connected to the internet and bluetooth enabled.



- Pair button. Click it within 5 seconds after the fan is powered on from wall switch. After the fan flashes or beeps, it has been successfully paired with the phone, it can be controlled through it.
- Slide to change the fan speed.
- Slide to change the brightness of the light.
- Quick switch for "White" light color. (Not supported)
- Quick switch for "Yellow" light color. (Not supported)
- Quick switch for "Natural" light color. (Not supported)
- Night mode: Dim the lights. (Not supported)
- Fan moves forward.
- Fan moves reversely.
- Change the direction of the wind. (Not supported)
- Timing the fan.
- Natural wind: The fan speed will change automatically when you use this function.
- Sleeping wind. (Not supported)
- Turn on/off the light.
- Turn on/off the fan.
- Unpairing: Click the unpair button within 5 seconds after turning on the fan. Once the fan flashes or beeps, it has been successfully unpaired from your phone.