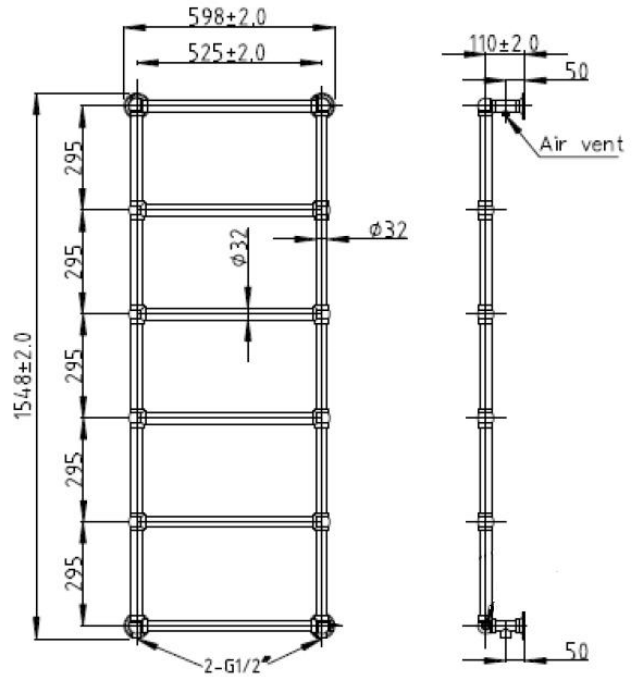
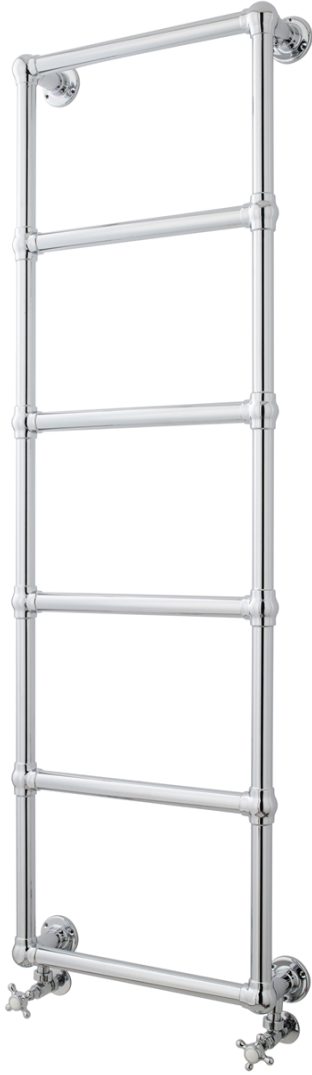


# CUSTOMER DATA SHEET - HEATING

**DESCRIPTION:** W/Mtd Towel Rail 1550X600x130



### PRODUCT DIMENSIONS

Height (mm)	Width (mm)	Depth (mm)	Length (mm)	Nett Wgt Kg
1548	598	110		9.07

### PACKAGING DIMENSIONS

Height (mm)	Width (mm)	Length (mm)	Gross Wgt Kg
150	620	1600	10.5

### PACKAGING DATA

Box Colour	White Cardboard Shrinkwrapped		
Box Qty	1	Label Colour	White Label
Label Size	100 x 50	Label Qty	2

### OUTER BOX DIMENSIONS (If Applicable)

Height (mm)	Width (mm)	Length (mm)	Gross Wgt Kg

### PRODUCT DETAILS

Contry of Origin	China					
Fitting Instruction	Yes					
RAL No	N/A					
Heat Element Wattage	Not Applicable					
BTU Outputs	30°C	488	50°C	922	60°C	1153
Pipe Centres	525mm					
Volume	142					
Wall to Ctr of Tappings	50					
Duel Fuel	N/A					

Certification	CE	Yes	RoHS	N/A	WEEE	N/A
Colour/Finish	Chrome					
Product Material	Steel					
Heat Element Wattage Compatible	N/A					
Thermal Outputs (Watts)	30°C	143	50°C	270	60°C	338
Max Projection	130mm					
Tube Diameter	32mm					
Floor to Ctr of Tappings	N/A					