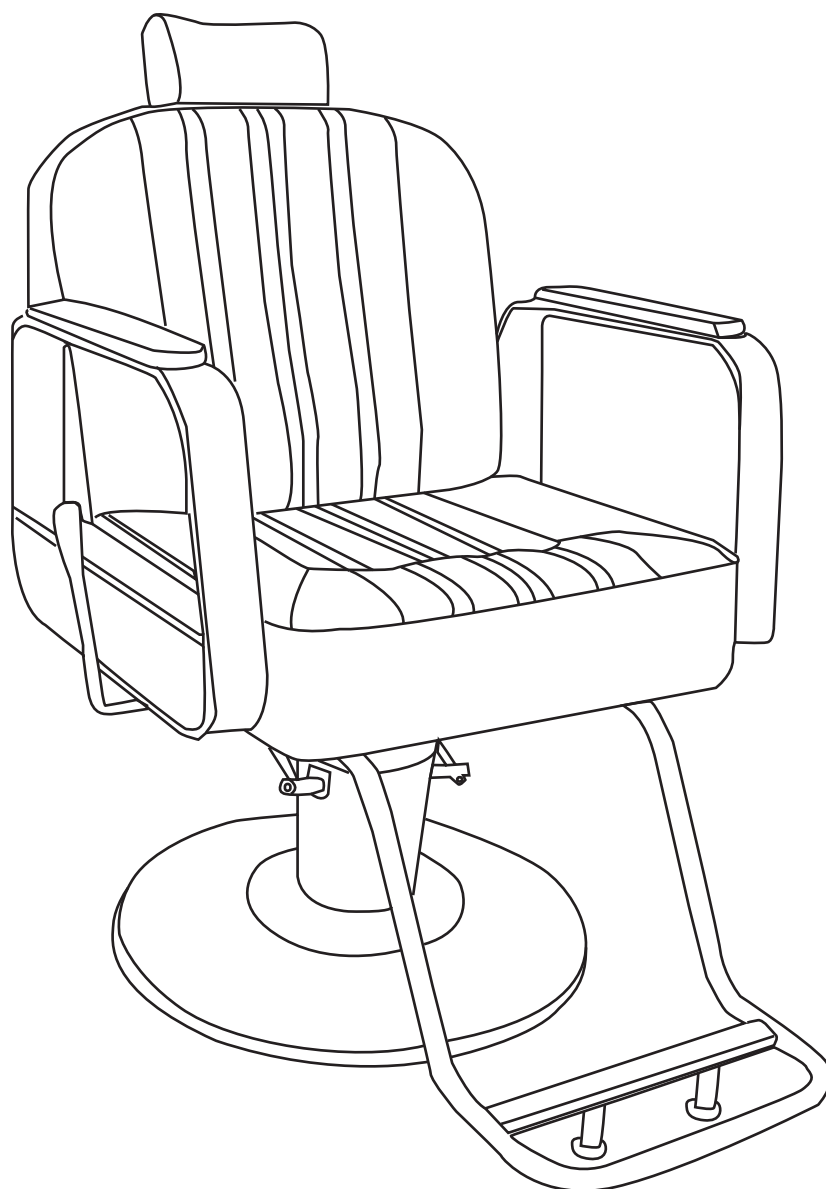
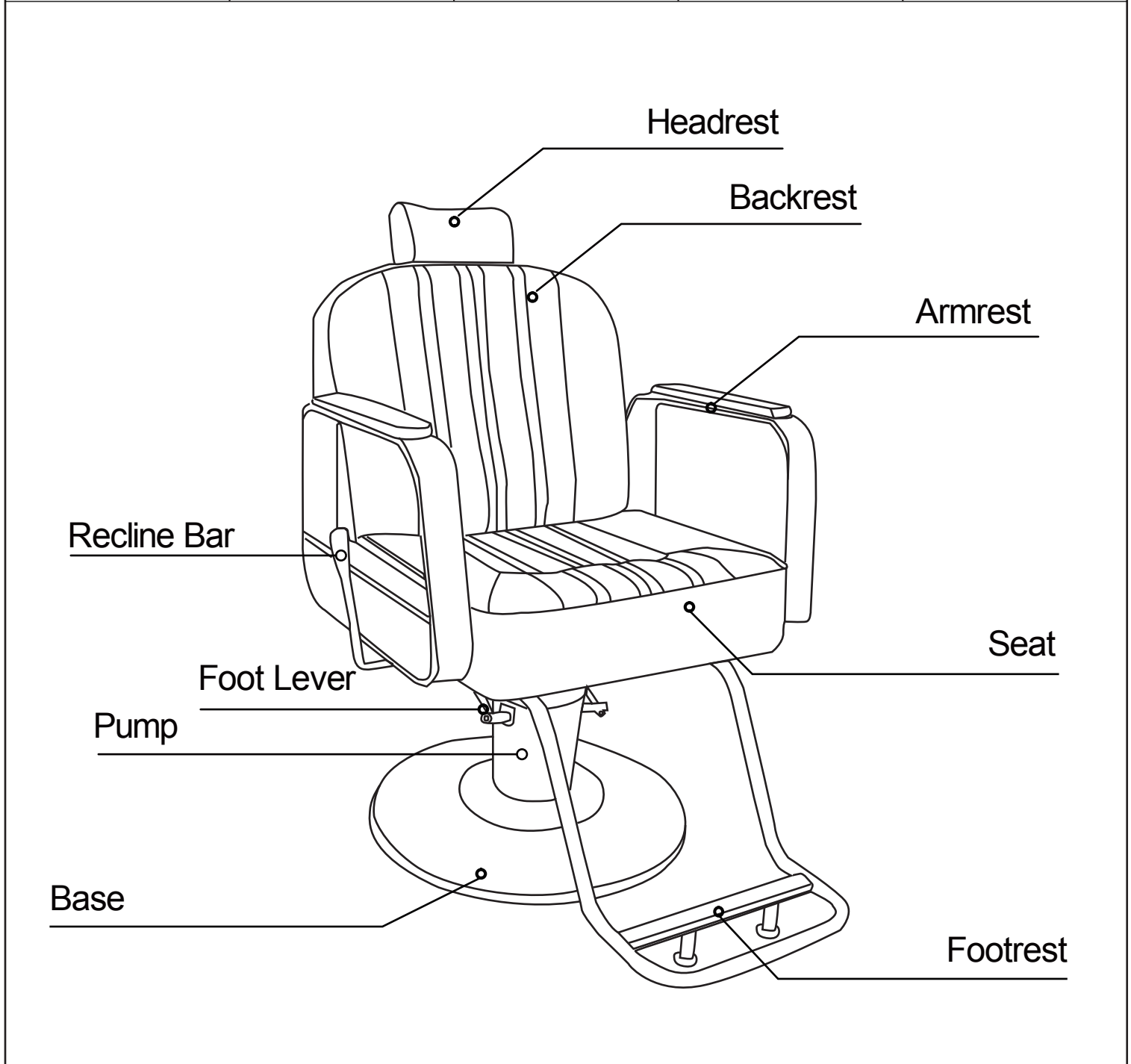
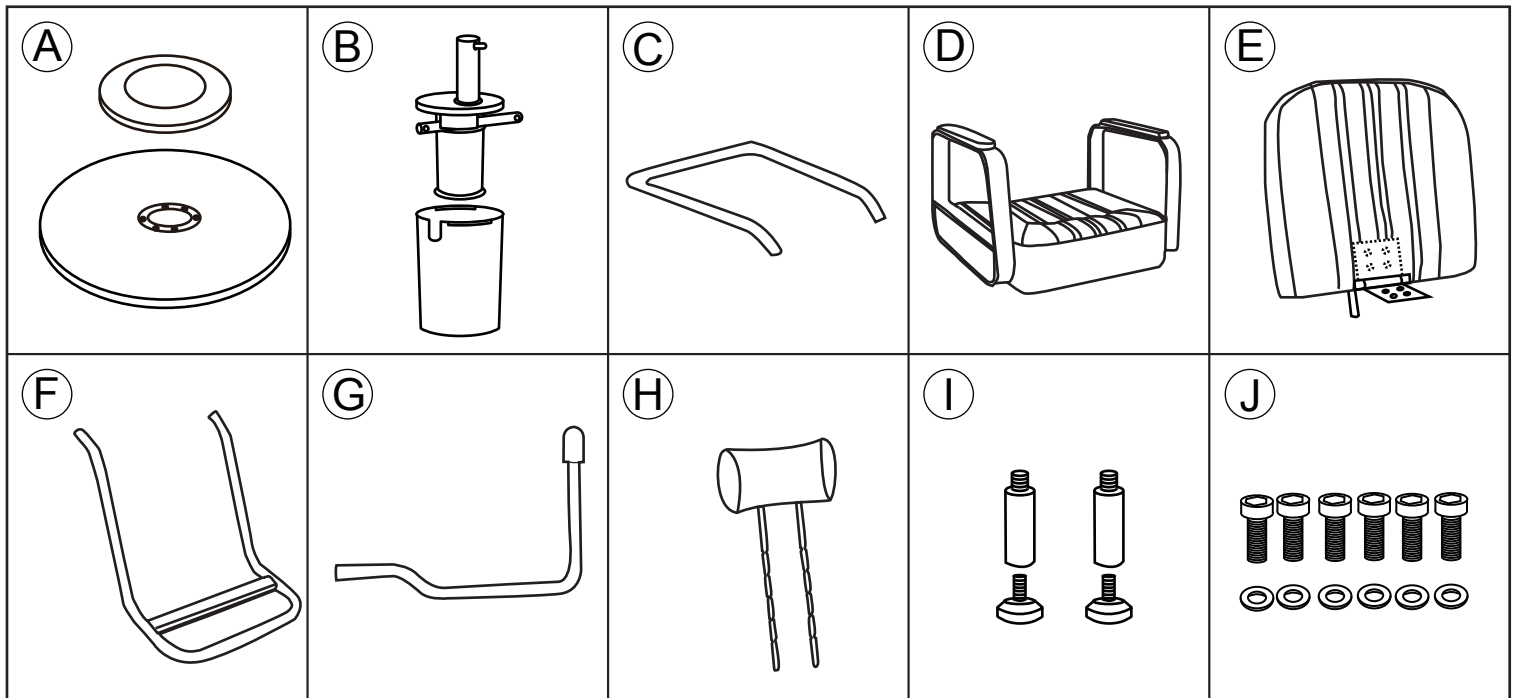


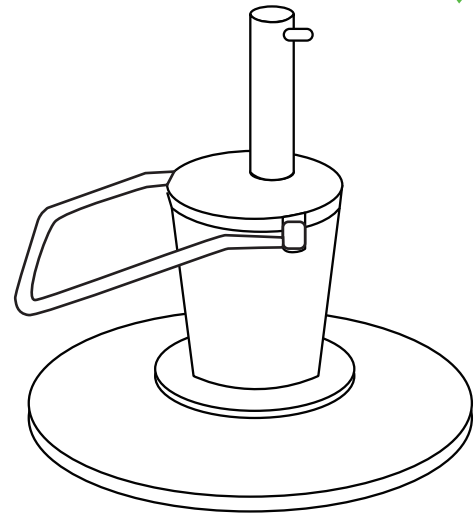
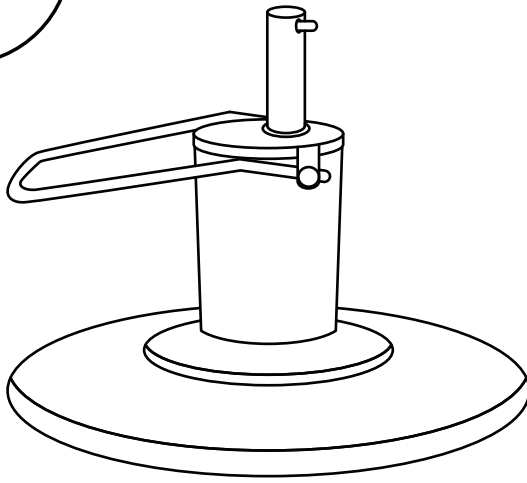
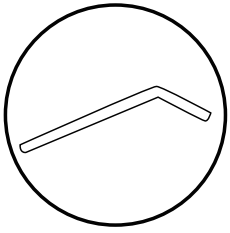
BARBER CHAIR

— User Guide —



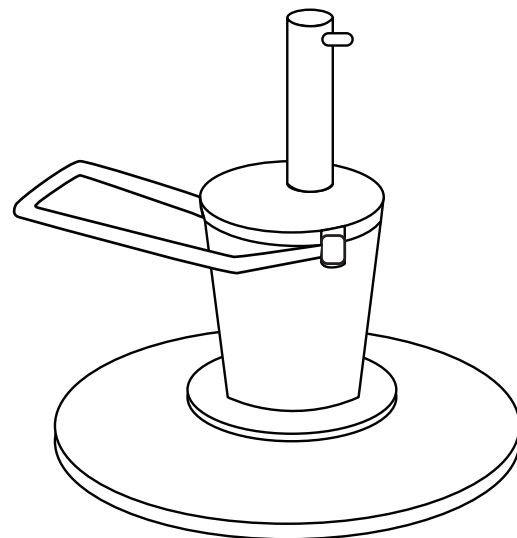
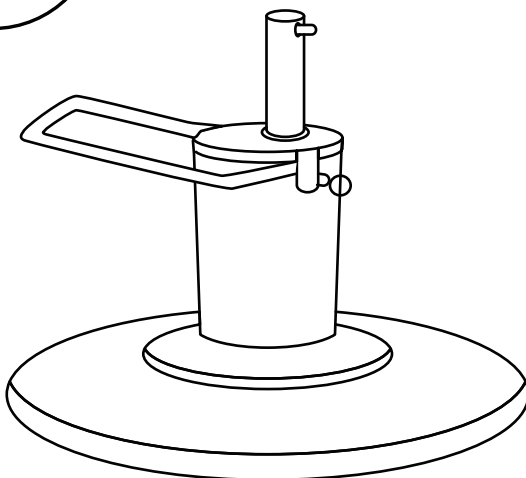
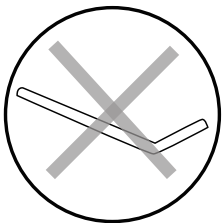


Correct Installation



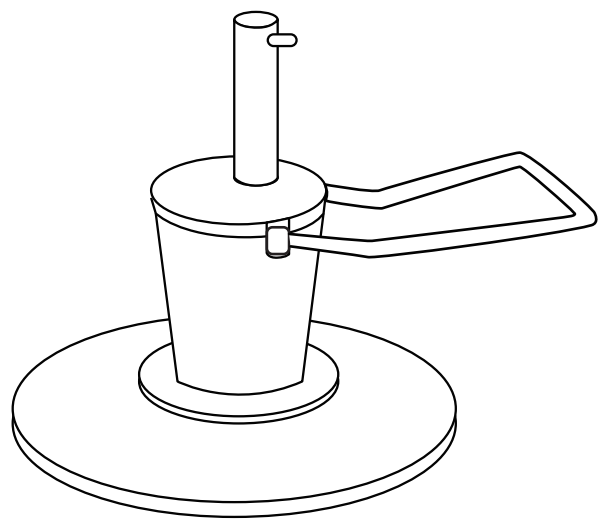
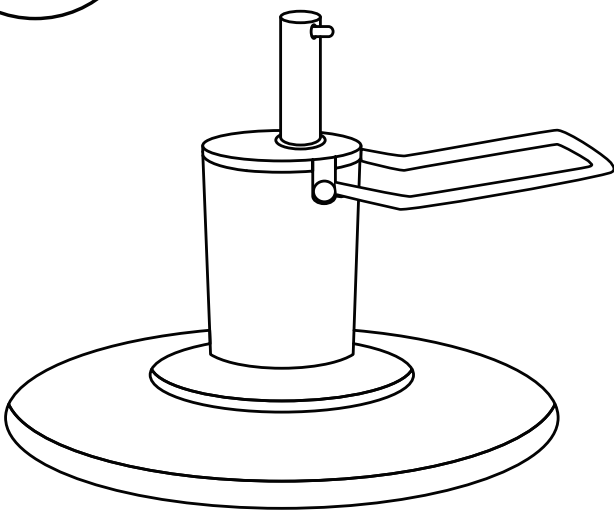
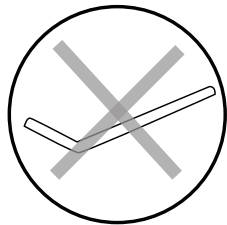
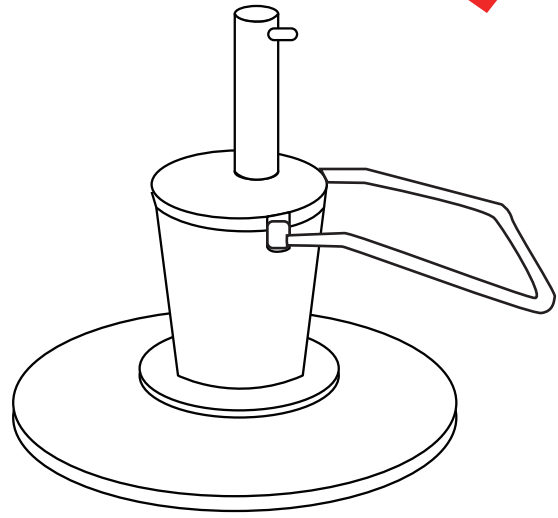
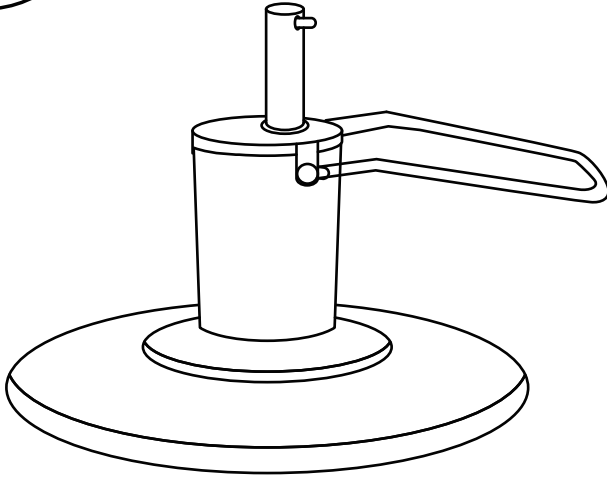
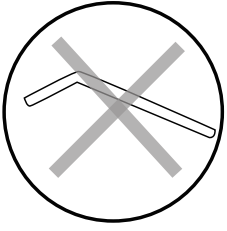
Please slip the foot lever through the pump rod.
Please note that the curved part of the foot lever should be upward.

Incorrect Installation



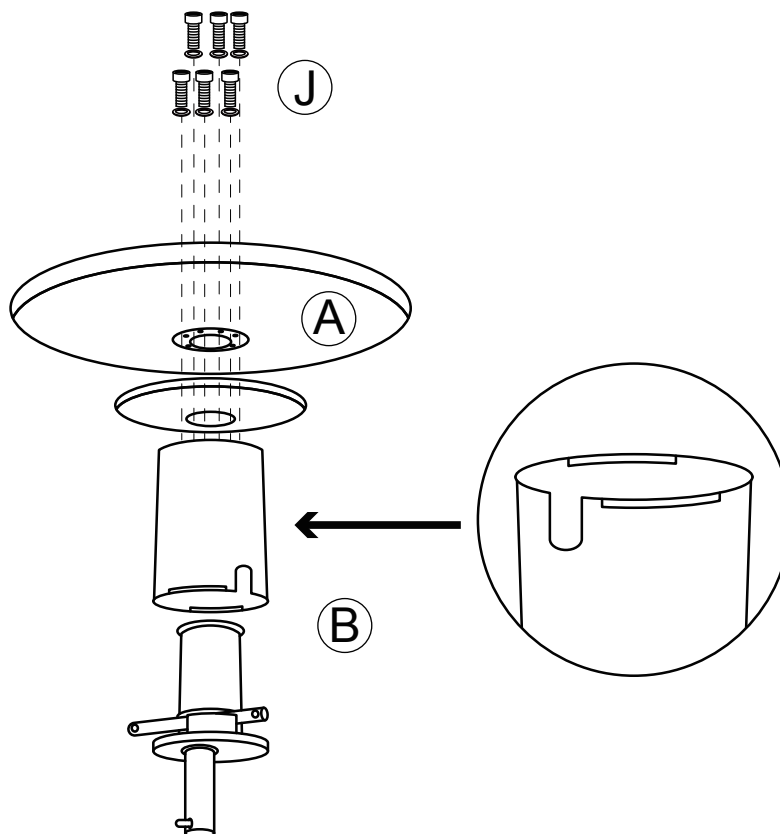
Please notice the direction of the foot lever and the insert direction when installing the foot lever.

Incorrect Installation



Please notice the direction of the foot lever and the insert direction when installing the foot lever.

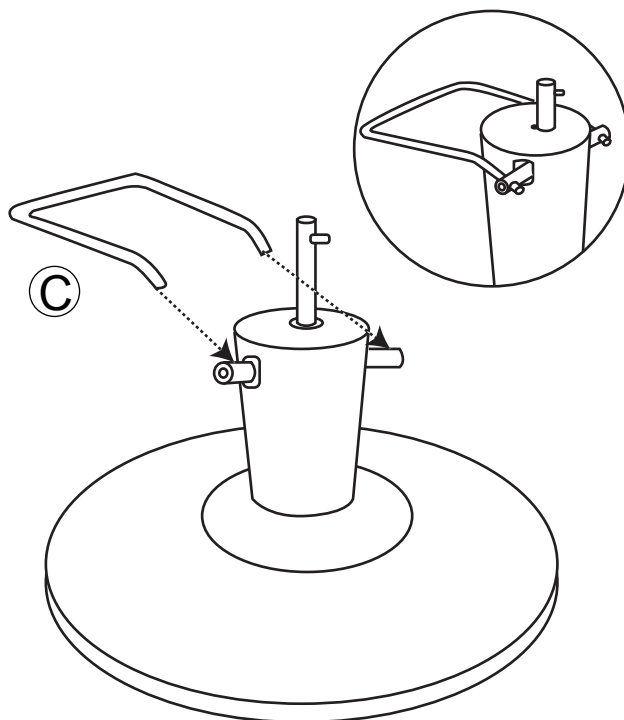
1



Please turn the pump upside down, slip the pump cover on the pump, then slip the decorative ring, then install the base on the pump.

Note: The plastic ring can turn freely after assembling.

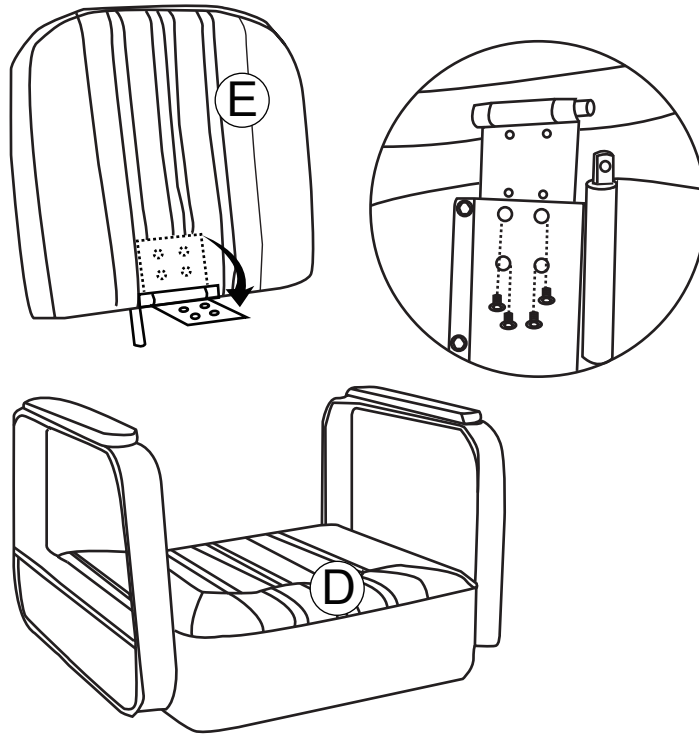
2



Please install the foot lever and tight the screws on both sides of pump.

Note: The pump latch and screws on both sides are pre-positioned. Please note that the curve of the foot lever should be upward.

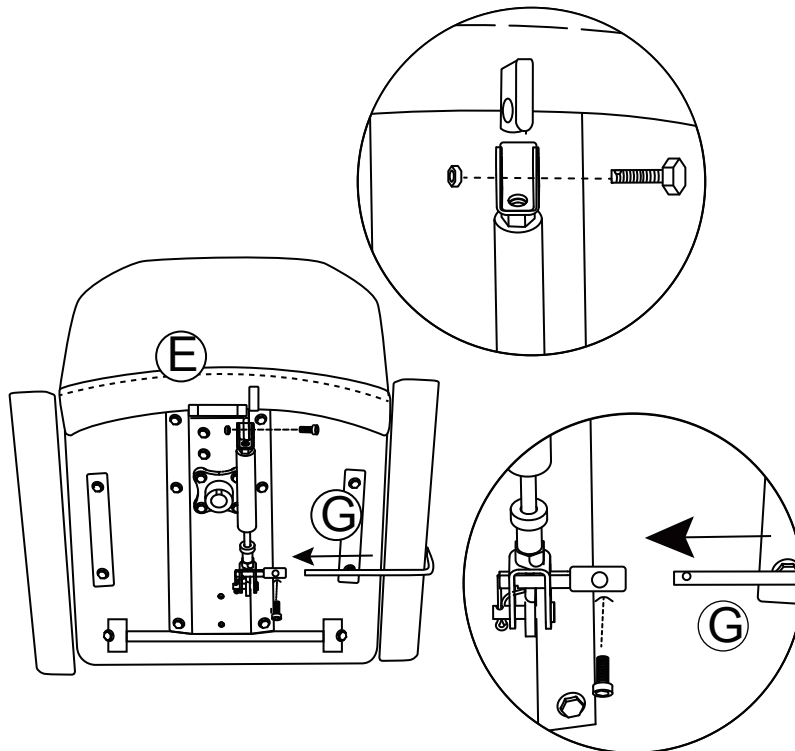
3



Please rotate the metal piece to 90°, align it with 4 holes on seat cushion and screws the backrest on seat cushion.

Note : The screws are pre-positioned in the seat cushion.

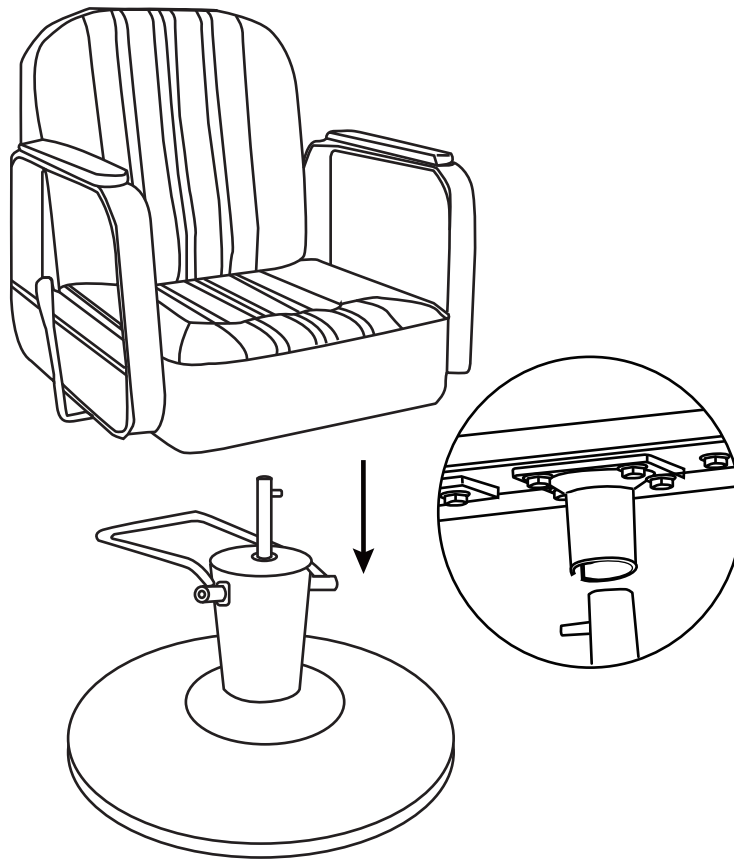
4



Please install the gas piston on the seat cushion. Please align the recline bar with the holes on seat cushion and using screw to assemble it.

Note : The screws are pre-positioned on the seat cushion.

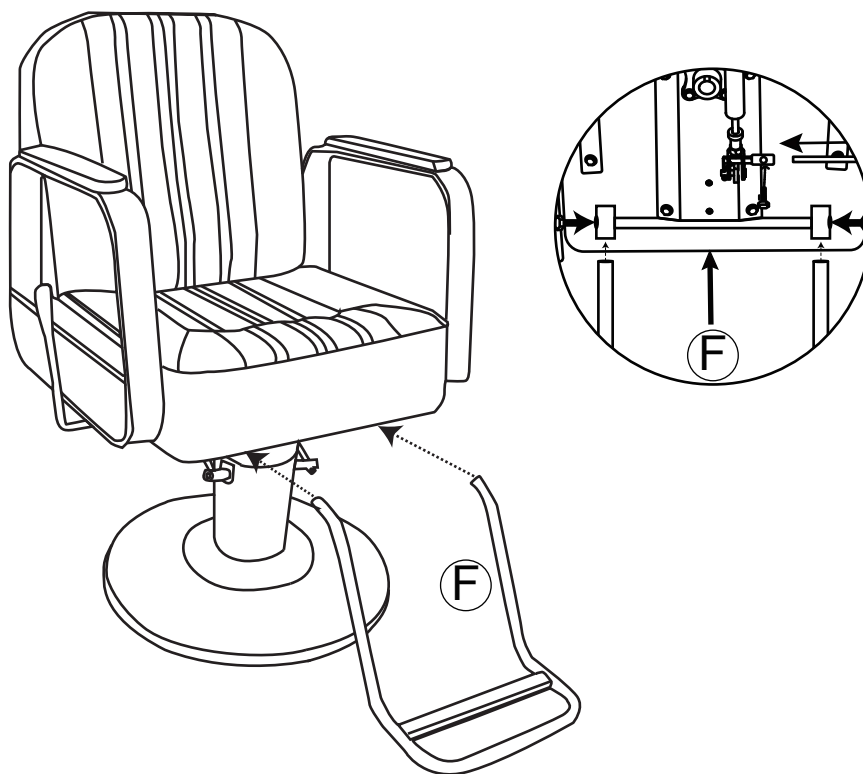
5



Please put the seat on the pump.

Note: When the seat is placed on the pump, the latch of the pump needs to be aligned with the grooves of the tray.

6



Please using the screws to install the footrest under the seat frame.

Note: The screws are pre-positioned on the metal plate on seat frame.

7



Please install the footrests first and then install the footrests on the footrest and insert the headrest in the backrest.

Note : The footrests can be adjusted at your convenient.

8

